

TG Series

Three Phase General Type EMI Filter with Neutral

The Ohmite TG series of general purpose three phase filters is designed for use in a wide range of applications. All TG series filters contain a neutral connection point. The TG series reduces electromagnetic interference and helps in maintaining compliance with EMI emission standards.



FEATURES

- General Purpose
- Compact
- Superior Performance
- Chassis mounting 3 Phase Filter 4 Wire

APPLICATIONS

- CNC Machines
- Electronic Equipment
- Convertors
- Rectifier
- UPS/Inverters

SERIES SPECIFICATIONS

Part No.	Rated current	Leakage current (mA)	Termination		Weight (kg)
	@40°C	@250VAC/50Hz	Tab	Screw	
TGA-001	1A	3	6.3 x 0.8		0.26
TGA-003	3A	3	6.3 x 0.8		0.26
TGA-006	6A	3	6.3 x 0.8		0.26
TGA-010	10A	3	6.3 x 0.8		0.26
TGA-015	15A	3		M5	0.7
TGA-016	16A	3		M5	0.7
TGA-020	20A	3		M5	0.7
TGA-025	25A	3		M5	0.7
TGA-030	30A	3		M5	0.7
TGA-040	40A	3		M5	0.7
TGA-050	50A	3		M6	1.2
TGA-060	60A	3		M6	1.2
TGA-075	75A*	3		M8	9
TGA-080	80A*	3		M8	9
TGA-100	100A*	3		M10	9
TGA-125	125A*	13.8		M10	9
TGA-150	150A*	13.8		M10	9

*Not covered under CSA

CHARACTERISTICS

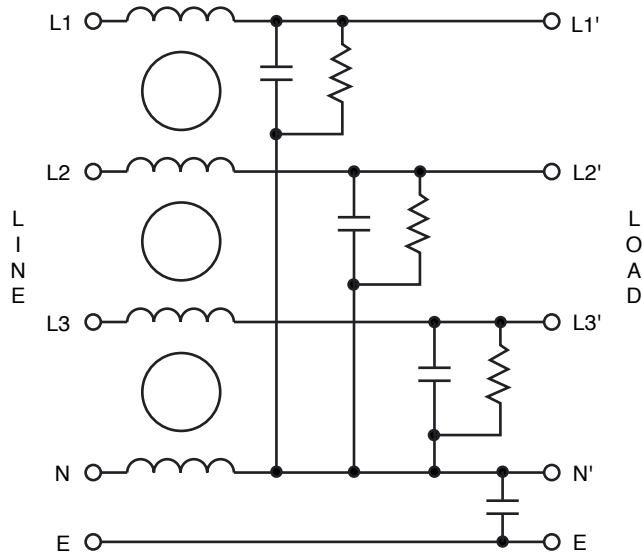
Maximum Cont. Oper. Voltage	440 or 520VAC
Operating Frequency	50/60Hz
Current ratings	1A to 150A @40°C
High Potential test voltage	L to G 2660Vdc for 1 min.; L to L 1950Vdc for 1 min.
Overload Capability	135% of Rated current for 15 min
Design	corresponding to UL60939-3, CSA 22.2 No.8-13 and IEC 60939
Flammability	corresponding to UL 94 V-0
Temperature range	-25°C to +85°C
Climatic Category	25/85/21
Recommended Torque (Nm)	M5: 2-3; M6: 3.5-4; M8: 10-14; M10: 15-17

(continued)

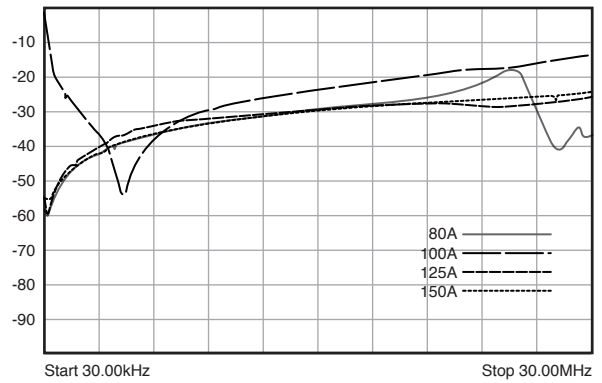
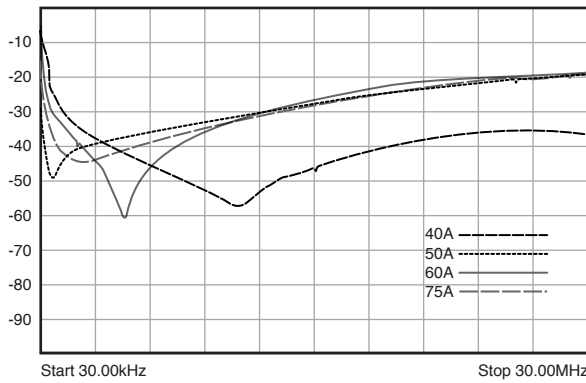
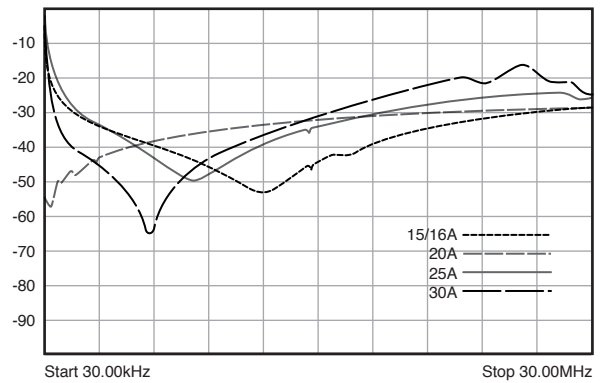
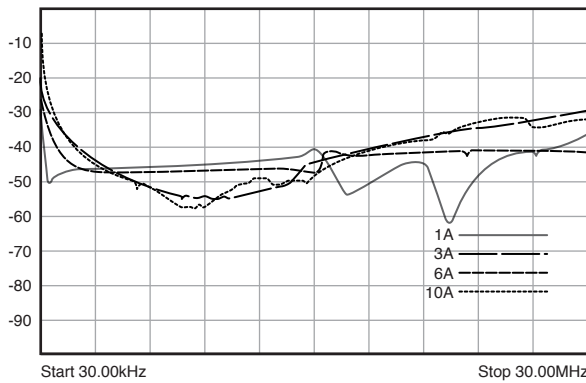
TG Series

Three Phase General Type EMI Filter with Neutral

CIRCUIT DIAGRAM



INSERTION LOSS



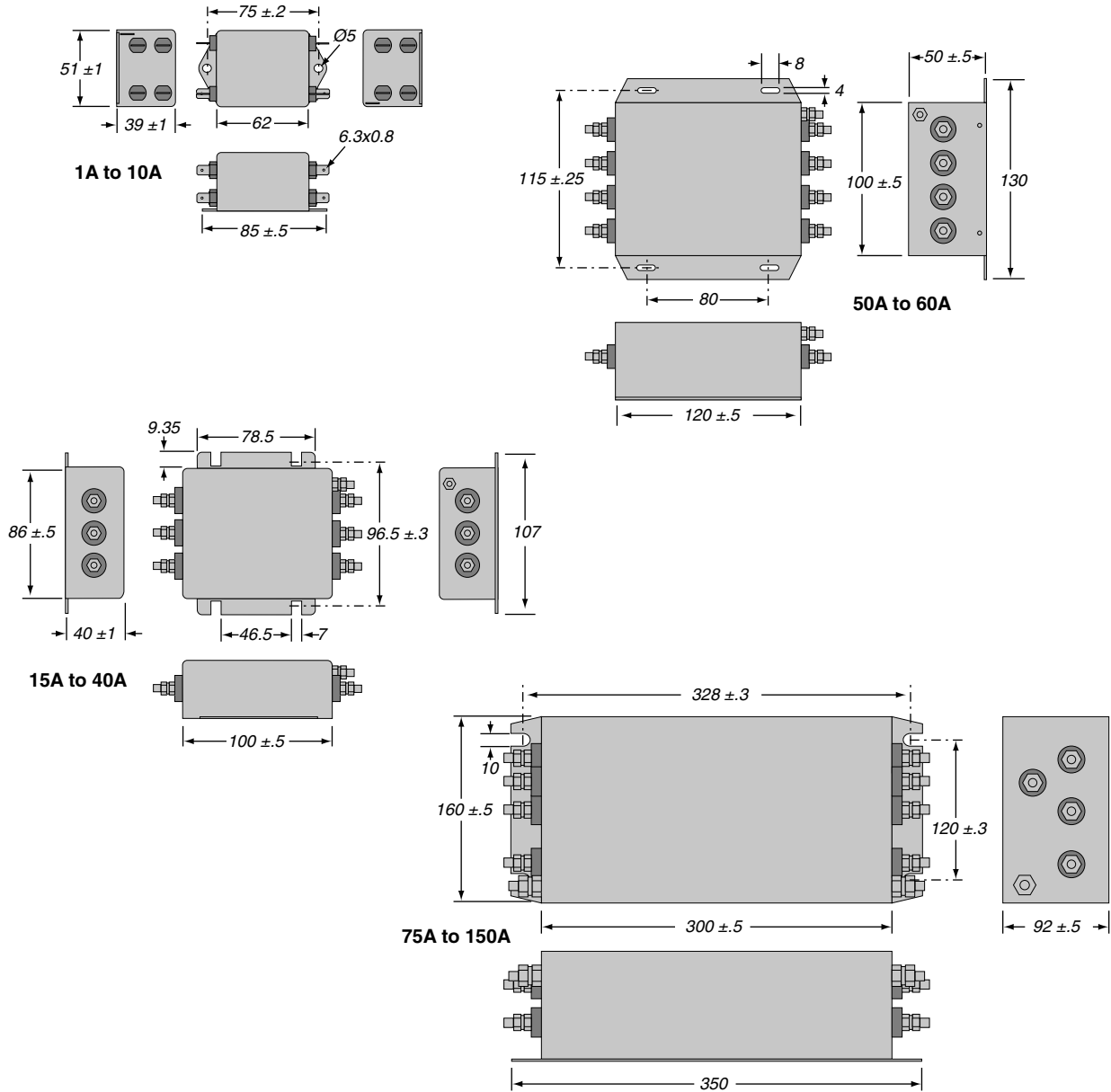
(continued)

TG Series

Three Phase General Type EMI Filter with Neutral

DIMENSIONS

All dimensions in mm; Tolerances according to ISO2768-m



ORDERING INFORMATION

TGA-002

Series	Voltage	Current rating
	A = 440V	
	B = 520V	

Standard part numbers

TGA-001	TGA-040
TGA-003	TGA-050
TGA-006	TGA-060
TGA-010	TGA-075
TGA-015	TGA-080
TGA-016	TGA-100
TGA-020	TGA-125
TGA-025	TGA-150
TGA-030	

X-ON Electronics

Largest Supplier of Electrical and Electronic Components

Click to view similar products for [Power Line Filters](#) category:

Click to view products by [Ohmite](#) manufacturer:

Other Similar products are found below :

[5B1](#) [6609019-3](#) [6609026-5](#) [6609030-6](#) [6609063-2](#) [6609973-2](#) [7-1609090-5](#) [F1500CA06](#) [7-6609089-9](#) [F7382Z](#) [F7863Z](#) [FAHAV3100ZC000](#)
[806276](#) [FMAC-0FIA-6400](#) [FN2020B-1-06](#) [FN2080B-10-06](#) [FN2090A-1-06](#) [FN2410H-32-33](#) [FN2410H-80-34](#) [FN2412H-16-44](#) [FN406B-](#)
[0.5-02](#) [FN420-1-13](#) [FP144](#) [8-6609089-0](#) [12-MMB-030-11-D](#) [15811T200](#) [B84144A0050R120](#) [B84144A90R120](#) [20B1](#) [RSEL-2001A](#) [2B1](#)
[1609080-2](#) [LP183](#) [1-6609070-1](#) [F1500CA10](#) [1B1](#) [FN2020A-10-06](#) [FN2020B-3-06](#) [FN2060A-3-06](#) [FN2070A-16-06](#) [FN2070B-16-08](#)
[FN2090A-20-06](#) [FN2090B-12-06](#) [FN2090Z-1-06](#) [FN2410H-25-33](#) [FN2410H-60-34](#) [FN2410H-8-44](#) [FN2412H-25-33](#) [FN2412H-8-44](#)
[FN610R-3-06](#)