

# TK Series

## Three Phase Book Shelf Type EMI Filter

These series range of three phase filters with book shelf design is designed for motor drive applications requiring minimum space and convenient installation with superior performance at significant interference levels.



### FEATURES

- 3 Phase filters for drives/invertors
- Compact/Light Weight/Cost Effective
- Bookshelf Design
- 7A to 150A Current rating

### APPLICATIONS

- AC/DC Drives
- Generator
- Wind Turbine
- Fuel Cells
- Elevators

### SERIES SPECIFICATIONS

Part No.	Rated current @40°C	Termination	Weight (kg)
TKA-007	7A	41	0.7
TKA-016	16A	41	0.8
TKA-030	30A	41	0.8
TKA-042	42A	10	1.2
TKA-055	55A	10	2
TKA-075	75A	16	2
TKA-100	100A	25	3
TKA-120	120A	50	4
TKA-150	150A	50	4

### CHARACTERISTICS

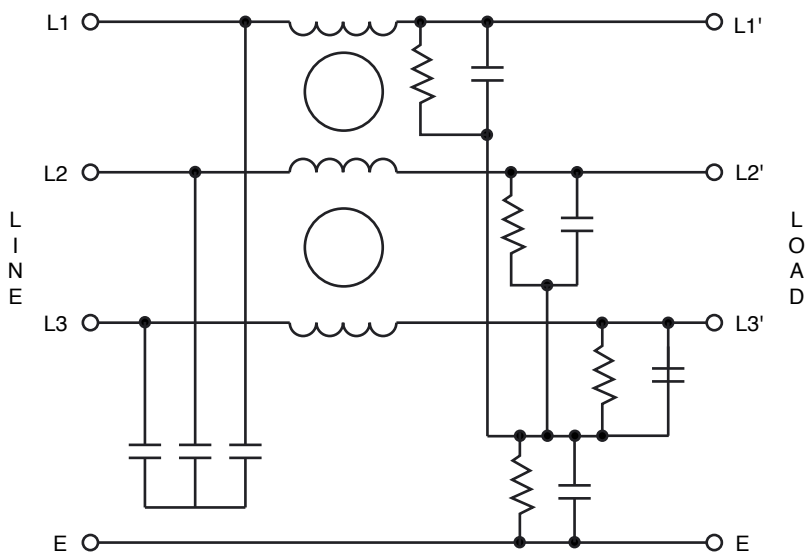
<b>Max. Cont. Oper. Voltage</b>	440/520/600VAC
<b>Operating Frequency</b>	50/60Hz
<b>Current ratings</b>	7A to 150A @40°C
<b>High Potential test voltage</b>	L to G 2660Vdc for 1 Minute; L to L 1950Vdc for 1 Minute
<b>Overload Capability</b>	135% of Rated current for 15 minutes
<b>Design</b>	corresponding to UL 60939-3, CSA 22.2 No.8-13 and IEC 60939
<b>Flammability</b>	corresponding to UL 94 V-0
<b>Temperature range</b>	-25°C to +85°C
<b>Climatic Category</b>	25/85/21
<b>Enclosure Material</b>	Aluminium

(continued)

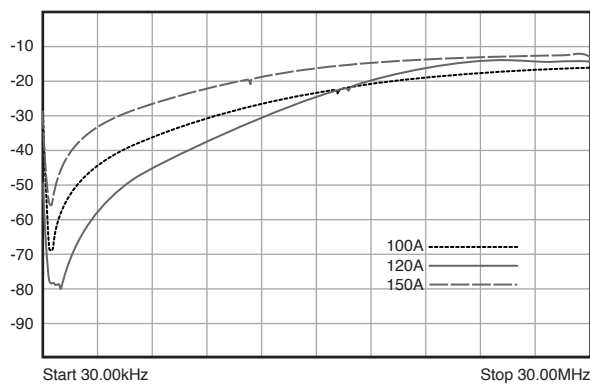
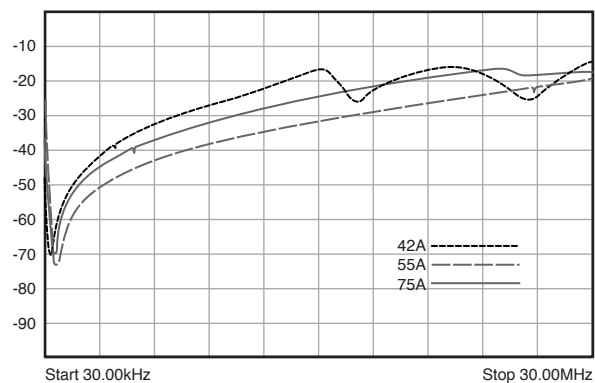
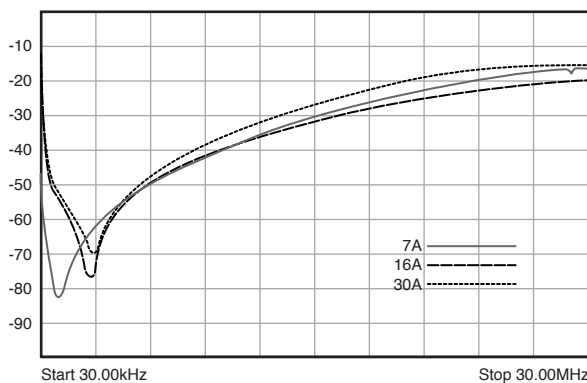
# TK Series

## Three Phase Book Shelf Type EMI Filter

### CIRCUIT DIAGRAM



### INSERTION LOSS



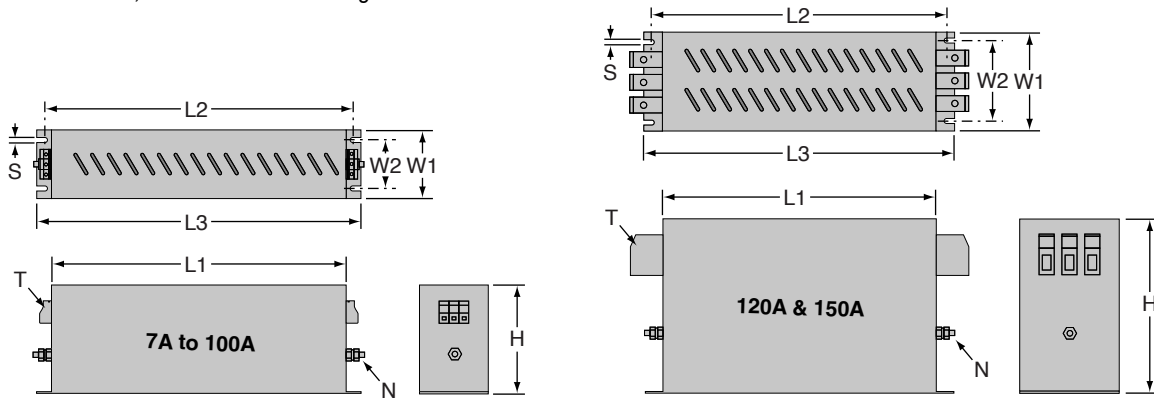
(continued)

# TK Series

## Three Phase Book Shelf Type EMI Filter

### DIMENSIONS

All dimensions in mm; Tolerances according to ISO2768-m



Size	L1	L2	L3	H	W1	W2	S	N	T
7A	160 ±1	180 ±.5	190	71 ±1	45 ±.5	20 ±.2	4.5	M5	41
16A	220 ±1	235 ±.5	250	85 ±1	45 ±1	25 ±.2	5	M5	41
30A	240 ±1	255 ±.5	270 ±1	85 ±1	50 ±1	30 ±.2	5.4	M6	41
42A	280 ±1	295 ±.5	310 ±1	85 ±1	50	30 ±.2	5.4	M6	10
55A	220 ±1	235 ±.5	250 ±1	90 ±1	86 ±1	59.1 ±.2	5.4	M6	10
75A	240 ±1	255 ±.5	270 ±1	135 ±1	85 ±1	60 ±.2	5	M8	16
100A	240 ±1	255 ±.5	270 ±1	150 ±1	91 ±1	65 ±.3	6.5	M10	25
120 & 150A	261 ±1	292 ±.3	312 ±1	203 ±1	112 ±1	88 ±.3	7	M10	50

Termination type	41	10	16	25	50
Wire Section (mm <sup>2</sup> )	4 mm <sup>2</sup>	10 mm <sup>2</sup>	16 mm <sup>2</sup>	25 mm <sup>2</sup>	50 mm <sup>2</sup>
Wire Section (AWG)	12AWG	8 AWG	6 AWG	4 AWG	1/0 AWG
Wire Stripping	max 10mm	max 13.5 mm	max 17 mm	max 17 mm	max 20 mm
Max Recommended Torque	0.5 Nm 4.5 in.lbs	1.2 Nm 10.8 in.lbs	2-2.2 Nm 18-19.8 in.lbs	2 Nm 18 in.lbs	6 Nm 54 in.lbs

### ORDERING INFORMATION

**TKA - 007**

Series | Voltage | Current rating  
 A = 440V  
 B = 520V  
 C = 600V

**Standard part numbers**

TKA-007  
 TKA-016  
 TKA-030  
 TKA-042  
 TKA-055  
 TKA-075  
 TKA-100  
 TKA-120  
 TKA-150

## X-ON Electronics

Largest Supplier of Electrical and Electronic Components

*Click to view similar products for [Power Line Filters](#) category:*

*Click to view products by [Ohmite](#) manufacturer:*

Other Similar products are found below :

[5B1](#) [6609019-3](#) [6609026-5](#) [6609030-6](#) [6609063-2](#) [6609973-2](#) [7-1609090-5](#) [F1500CA06](#) [F7382Z](#) [F7863Z](#) [FAHAV3100ZC000](#) [806276](#)  
[FMAC-0FIA-6400](#) [FN2020B-1-06](#) [FN2080B-10-06](#) [FN2090A-1-06](#) [FN2410H-32-33](#) [FN2410H-80-34](#) [FN2412H-16-44](#) [FN420-1-13](#) [FP144](#)  
[8-6609089-0](#) [12-MMB-030-11-D](#) [B84144A0050R120](#) [B84144A90R120](#) [20B1](#) [RSEL-2001A](#) [2B1](#) [LP183](#) [1-6609070-1](#) [F1500CA10](#) [1B1](#)  
[FN2020A-10-06](#) [FN2020B-3-06](#) [FN2060A-3-06](#) [FN2070A-16-06](#) [FN2070B-16-08](#) [FN2090A-20-06](#) [FN2090B-12-06](#) [FN2090Z-1-06](#)  
[FN2410H-25-33](#) [FN2410H-60-34](#) [FN2410H-8-44](#) [FN2412H-25-33](#) [FN2412H-8-44](#) [FN610R-3-06](#) [20EHZ7](#) [20K1](#) [30B6](#) [30BCF10R](#)