

TP Series



High Energy Thick Film on Alumina Substrate

TP Series high energy resistors offer the user the benefits of non-inductive performance and high power density. As an added feature, they provide the impulse energy capability normally associated with wirewound or composition resistors. Double-sided screen printing of pulse-tolerant thick film ink, coupled with a sophisticated scan-cut laser trimming process, maximize the energy withstanding capabilities of the TP Series.

FEATURES

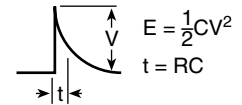
- High-Temp Terminal Construction
- Wide Resistance Range
- Low Inductance (50nH-100nH)
- High Power Density
- Easy to install. PC-mountable



CHARACTERISTICS

Substrate	Alumina
Resistor	Thick Film
Coating	Glass
Terminals	Solder Plated Phosphor Bronze
Thermal Conductivity	20 Watts/Meter/°C
Temperature Coefficient	1 to 100Ω: 100 ppm/°C 101Ω and up: 50 ppm/°C
Tolerance	±1%, ±5% and ±10%
Power Rating	Based on 25°C free air
Resistance Range	10 ohms to 1M ohm. Consult factory for other values
Maximum Operating Voltage	350 VAC, 500 VDC through glass
Energy Rating	100J: 100ms pulse with 100uF capacitor, not to exceed 1500 volts
Derating	100% @ 25°C to 0% @ 180°C ambient.

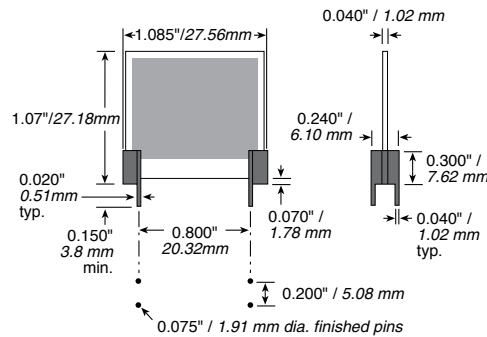
Pulse



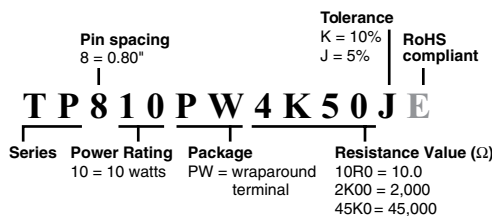
E = Energy (joules)
t = Time (seconds)
V = Voltage (volts)
R = Resistance (ohms)
C = Capacitance (farads)

DIMENSIONS

(±.020 in. / ±.508mm)



ORDERING INFORMATION



Standard part numbers for TP series

- TP810PW10R0JE
- TP810PW20R0JE
- TP810PW50R0JE
- TP810PW100RJE
- TP810PW470RJE
- TP810PW1K00JE
- TP810PW4K70JE
- TP810PW10K0JE

X-ON Electronics

Largest Supplier of Electrical and Electronic Components

Click to view similar products for [Thick Film Resistors - Through Hole](#) category:

Click to view products by [Ohmite](#) manufacturer:

Other Similar products are found below :

[M8340104M4701GCD03](#) [M8340105K3300GGD03](#) [M8340105K3922FGD03](#) [M8340106K1002JCD03](#) [M8340107K1002GGD03](#)
[M8340107K1152FGD03](#) [M8340107K2701GCD03](#) [M8340107M2002GCD03](#) [M8340108K1000GCD03](#) [M8340108K5601GCD03](#)
[M8340108M2203GCD03](#) [M8340109K1002JCD03](#) [M8340109K2001GCD03](#) [M8340109K5101GGD03](#) [FHV05010M0FKRB](#) [MOX-2-125005F](#) [MP850-3.00-1%](#) [MS220-1K-1%](#) [hte24511kf](#) [SM-SP093](#) [ARC3.11 2M J A](#) [M8340105K1001GCD03](#) [M8340105K3002GGD03](#)
[M8340105M1002JGD03](#) [M8340107K2001GGD03](#) [M8340107K5101GGD03](#) [M8340107K5600GGD03](#) [M8340108K4990FGD03](#)
[M8340108K49R9FGD03](#) [M8340108M10R0GGD03](#) [M8340109K2202GGD03](#) [M8340109K5601GCD03](#) [MOX-GRD-001](#) [MOX-SP020](#)
[MOX-SP025E](#) [M8340107K2001GCD03](#) [M8340102M4701GBD04](#) [M8340102K1002GBD04](#) [M8340102K1002GAD04](#)
[M8340109K2002GGD03](#) [M8340108K22R0GGD03](#) [M8340107M5100GGD03](#) [OE1305](#) [WMHP100-R22J](#) [M8340104K39R2FCD03](#)
[M8340106MA012JHD03](#) [M8340107K1003GGD03](#) [MS126-9.09K-0.1%](#) [MS126-249K-0.1%](#) [MS-221-82R5](#)