

SOFT-CASE

SOFT-CASE



## THE PRODUCT

The first pocket size case with “wide-format” design. From now on, larger displays can thus be accommodated in a user-friendly small space. The case design makes it easy not only to read off the display but also to operate the unit.

The intermediate ring represents a further innovation in the SOFT-CASE. Different colours and materials allow individual designs and interesting combinations.

## YOUR ADVANTAGE

User-friendly design. Ideal for miniaturised electronics developments.

The unique “wide format” offers a generous interface area as well as sufficient room for larger displays.

Robust and sealed up to protection class IP 54. The all-round intermediate ring serves as a sealing ring and impact protection device (TPE version) and also ensures there is more installation volume. Individual choice of colours and designs on request.

Available with or without battery operation. Snap-in battery compartment lid; if required, this can be secured by a screw.

Recessed operating area for the protection of the membrane keyboard.

## APPLICATIONS

Remote control units of many different kinds, wireless or with cable.

Measurement and control engineering. Digital control technology.

Medical and laboratory technology.

Peripheral and interface equipment. Communications technology.

## MAX. SIZE OF PCB

SOFT-CASE	L x W in mm	
	base part without / with batt. comp.	top part
S	—	43 x 75
M	56 x 96 / 26 x 96	56 x 96
L	63 x 108 / 23 x 108	63 x 108
XL	82 x 140 / 30 x 140	82 x 140

(cutouts of pillars not taken into consideration)

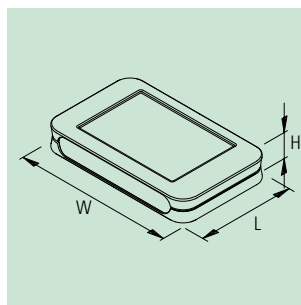
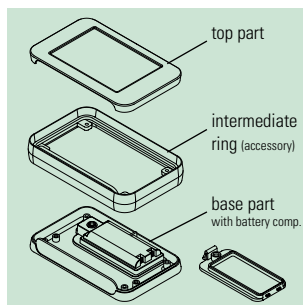
SOFT-CASE



- Off-white, RAL 9002
- Lava, NCS S 7502-B
- Black, RAL 9005

### Intermediate ring

- Off-white, RAL 9002
- Matt chromed
- Volcano, NCS S 5502-G
- Lava, NCS S 7502-B
- Black, RAL 9005



## INFO-BOX

### Two different materials

The material combination of ABS (base and top parts) and optionally TPE (intermediate ring) gives the SOFT-CASE a pleasant touch sensation.

Moreover, the silver intermediate ring provides a precious metallic look resp. touch.

Depending on version, infra-red permeable PMMA (plexiglass®) ensures maximum mobility.

### Practical intermediate ring

Easy to handle: simply insert it between the base and the top part and screw the case together.



SOFT-CASE

SOFT-CASE

SOFT-CASE

## ENCLOSURES

SOFT-CASE	Outside dim. in mm			Equipment (dim. in mm)		ABS (UL 94 HB) off-white	ABS (UL 94 HB) lava	PMMA (plexiglass®) black
	L	W	H	battery compartment	max. dim. keypad			
S*1	51	82	14	–	36.1 x 54.6	A 90 50 107	A 90 50 108	A 90 50 209
M	65	105	19	–	46.7 x 70.3	A 90 51 107	A 90 51 108	A 90 51 209
	65	105	19	2 x AAA	46.7 x 70.3	A 90 51 117	A 90 51 118	A 90 51 219
L	73	117	24	–	51.5 x 77.5	A 90 52 107	A 90 52 108	A 90 52 209
	73	117	24	2 x AA	51.5 x 77.5	A 90 52 117	A 90 52 118	A 90 52 219
	73	117	24	1 x 9 V (PP3)	51.5 x 77.5	A 90 52 127	A 90 52 128	A 90 52 229
XL	92	150	28	–	67.15 x 101.05	A 90 53 107	A 90 53 108	A 90 53 209
	92	150	28	4 x AA	67.15 x 101.05	A 90 53 117	A 90 53 118	A 90 53 219

## ACCESSORIES

Article	Version / Application	Part-No.			
		S	M	L	XL
① Intermediate ring / Intermediate protection ring (TPE only)	ABS, off-white RAL 9002, for 2 (S) / 3 (M, L) / 5 mm (XL) more instal. height	A 91 50 017	A 91 51 017	A 91 52 017	A 91 53 017
	ABS, lava NCS S 7502-B, for 2 (S) / 3 (M, L) / 5 mm (XL) more instal. height	A 91 50 018	A 91 51 018	A 91 52 018	A 91 53 018
	ABS, matt chromed*2, for 2 (S) / 3 (M, L) / 5 mm (XL) more installation height	A 91 50 011	A 91 51 011	A 91 52 011	A 91 53 011
	PMMA (plexiglass®), black, for 2 (S) / 3 (M, L) / 5 mm (XL) more instal. height	A 91 50 219	A 91 51 219	A 91 52 219	A 91 53 219
	TPE, volcano NCS S 5502-G, for 2 (S) / 3 (M, L) / 5 mm (XL) more instal. height	A 91 50 118	A 91 51 118	A 91 52 118	A 91 53 118
② Set of battery clips	nickel-plated, for 2 x 1.5 V micro cells (AAA)	–	A 91 51 010	–	–
	nickel-plated, for 2 resp. 4 x 1.5 V mignon cells (AA)	–	–	A 91 52 010	A 91 52 010
	tin-plated, for 1 x 9 V flat battery (PP3)	–	–	A 91 74 006	–
		off-white		lava	black
③ Combi-Clip*3	ABS, serves as a clip and/or wall suspension, suitable for S, M, L & XL, 1 set	A 91 52 047	A 91 52 048	A 91 52 049	
④ Tilt foot bar	ABS, 2 mounting holes ø 4.2 mm necessary, suitable for S, M, L & XL, 1 set	A 91 52 057	A 91 52 058	A 91 52 059	
⑤ Ring eyelet S/M/L XL	plastic, volcano, inside ring ø 2.5 mm, max. wall thickness 3 mm, location hole ø 4 mm required				A 91 00 001
	plastic, volcano, inside ring ø 4 mm, max. wall thickness 4 mm, location hole ø 5 mm required				A 91 00 002



\*1 recommended tightening torques for ABS versions without intermediate ring max. 40 Ncm intermediate ring 35 Ncm

\*2 during assembly ensure that the surface is conductive

\*3 two mounting holes ø 4.2 mm necessary, assembly oriented towards the length or width (size S towards the length only), for a battery exchange, the clip can easily be removed

for order details hand strap/  
carrying strap see page 104

**NEW PRODUCT**

## X-ON Electronics

Largest Supplier of Electrical and Electronic Components

*Click to view similar products for [Enclosures, Boxes & Cases](#) category:*

*Click to view products by [OKW](#) manufacturer:*

Other Similar products are found below :

[585-R-WH-PK](#) [M-10-PLATED](#) [60221-01](#) [60566-01-000](#) [HPL-9VB BATT DOOR](#) [M18-PLTD](#) [M-21-PLATED](#) [63310-01-000](#) [6711GSKT](#)  
[71884-29-028](#) [LH45-100 Black](#) [72868-510-000](#) [CNS-0000 Black](#) [72883-510-000](#) [CNS-0101 Black](#) [72906-510-000](#) [CNS-0407 Black](#) [73092-](#)  
[510-000](#) [CNM-0101 Black](#) [73105-510-000](#) [CNL-0101 Black](#) [73108-510-000](#) [CNL-0303 Black](#) [73395-510-039](#) [CNS-0006 Bone](#) [74016-510-000](#)  
[CNL-0006 Black](#) [74257-510-000](#) [CNL-0004](#) [MDC-1183-PLAIN-ALUM](#) [MDC-1183-PTD](#) [MDC-13104-PTD](#) [MDC-321-PTD](#) [MDC-973-PTD](#)  
[76](#) [77153-01-028](#) [FLX6030](#) [83535-01-508](#) [90026-501-000](#) [PS36-200](#) [116-508](#) [120-407](#) [120-910](#) [127-908](#) [130-008](#) [1301170079](#)  
[1322GSKTEP](#) [1325GSKT3](#) [138-PLAIN](#) [1434-1210](#) [EAS-500 \(BLACK ANO\)](#) [1804RP-RB-PK](#) [190-005](#) [2202307](#) [KAB3321 BLACK](#)  
[KAB3421](#) [2697466](#) [S52213](#) [2901123](#) [2901699](#) [A0645271](#) [A20P20](#)