

## EVERYTHING SNAPS INTO PLACE

### THE PRODUCT

The EURO CASE is extremely assembly-friendly. The case shells, side panels and snap-in panels all have a strong clip together mechanism, without a single screw. It is possible to customise the EURO CASE to your own corporate appearance by selecting the side panels and snap-in panels in your company's colours.

### APPLICATIONS

Peripheral equipment for computers.  
Feedback control. Medical devices.

### PROTECTION CLASS < IP 40

### STANDARD COLOURS

- Off-white, RAL 9002 (complete cases).
- Pebble grey, RAL 7032 (side panels, handle bar and tilt foot optionally).

### YOUR ADVANTAGE

Minimum amount of assembly required thanks to the special OKW snap-lock mechanism.

Injection-moulded reinforcing ribs ensure that these conveniently light cases have a high degree of torsional resistance and rigidity.

Variable case heights for individual installation configuration – depending on space requirements.

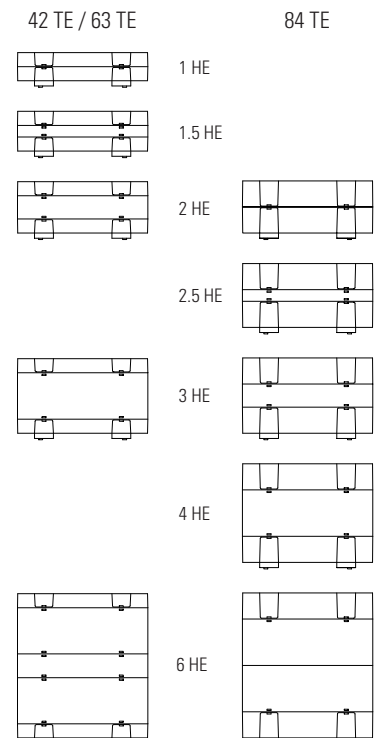
Any problems in ventilation are solved by snap-in panels with ventilation slots.

### MAX. SIZE OF PCB

EURO CASES	W x D in mm case shell
42 TE	243 x 220
63 TE	350 x 220
84 TE	454 x 220

Detailed drawings see our website.

### VARIABLE CASE HEIGHTS



## COMPLETE ENCLOSURES\*1

Height-unit	Version ventilation*2	Material Colour	Part-No. EURO CASE 42 TE width = 260 mm, depth = 250 mm			Part-No. EURO CASE 63 TE width = 367 mm, depth = 250 mm			Part-No. EURO CASE 84 TE width = 473,5 mm, depth = 250 mm		
			height	without handle	with handle	height	without handle	with handle	height	without handle	with handle
1 HE	<input type="checkbox"/>	ABS, off-white	54	A 02 14 070	—	54	A 02 16 070	—	—	—	—
	<input type="checkbox"/>	ABS, off-white	54	A 02 14 170	—	54	A 02 16 170	—	—	—	—
	<input type="checkbox"/>	ABS, off-white	54	A 02 14 270	—	54	A 02 16 270	—	—	—	—
2 HE	<input type="checkbox"/>	ABS, off-white	98.5	A 02 24 070	A 02 24 470	98.5	A 02 26 070	A 02 26 470	100	A 02 28 070	—
	<input type="checkbox"/>	ABS, off-white	98.5	A 02 24 170	A 02 24 570	98.5	A 02 26 170	A 02 26 570	100	A 02 28 170	—
	<input type="checkbox"/>	ABS, off-white	98.5	A 02 24 270	A 02 24 670	98.5	A 02 26 270	A 02 26 670	100	A 02 28 270	—
3 HE	<input type="checkbox"/>	ABS, off-white	143	A 02 34 070	A 02 34 470	143	A 02 36 070	A 02 36 470	144.5	A 02 38 070	A 02 38 470
	<input type="checkbox"/>	ABS, off-white	143	A 02 34 170	A 02 34 570	143	A 02 36 170	A 02 36 570	144.5	A 02 38 170	A 02 38 570
	<input type="checkbox"/>	ABS, off-white	143	A 02 34 270	A 02 34 670	143	A 02 36 270	A 02 36 670	144.5	A 02 38 270	A 02 38 670
4 HE	<input type="checkbox"/>	ABS, off-white	—	—	—	—	—	—	189	A 02 48 070	A 02 48 470
	<input type="checkbox"/>	ABS, off-white	—	—	—	—	—	—	189	A 02 48 170	A 02 48 570
	<input type="checkbox"/>	ABS, off-white	—	—	—	—	—	—	189	A 02 48 270	A 02 48 670
6 HE	<input type="checkbox"/>	ABS, off-white	—	—	—	276.5	A 02 66 070	—	278	A 02 68 070	—
	<input type="checkbox"/>	ABS, off-white	—	—	—	276.5	A 02 66 170	—	278	A 02 68 170	—
	<input type="checkbox"/>	ABS, off-white	—	—	—	276.5	A 02 66 270	—	278	A 02 68 270	—

## SEPARATE PARTS (FOR INDIVIDUAL COMBINATIONS)

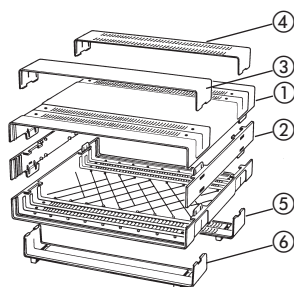
Article supply each 1 pc	Part-No. 42 TE off-white 42 TE pebble grey		Part-No. 63 TE off-white 63 TE pebble grey		Part-No. 84 TE off-white 84 TE pebble grey	
	① Case shell, ABS	A 01 14 170	—	A 01 16 170	—	A 01 28 170
② Side panel 0,5 HE, ABS	A 01 05 270	A 01 05 280	A 01 05 270	A 01 05 280	A 01 05 270	A 01 05 280
② Side panel 1 HE, ABS	A 01 10 270	A 01 10 280	A 01 10 270	A 01 10 280	A 01 10 270	A 01 10 280
② Side panel 2 HE, ABS	A 01 20 270	A 01 20 280	A 01 20 270	A 01 20 280	A 01 20 270	A 01 20 280
② Side panel 0,5 HE for handle mounting, ABS	A 01 06 270	A 01 06 280	A 01 06 270	A 01 06 280	A 01 06 270	A 01 06 280
② Side panel 1 HE for handle mounting, ABS	A 01 11 270	A 01 11 280	A 01 11 270	A 01 11 280	A 01 11 270	A 01 11 280
② Side panel 2 HE for handle mounting, ABS	A 01 21 270	A 01 21 280	A 01 21 270	A 01 21 280	A 01 21 270	A 01 21 280
③ Snap-in panel without slots, ABS	A 01 14 370	—	A 01 16 370	—	A 01 18 370	—
④ Snap-in panel with slots, ABS	A 01 24 370	—	A 01 26 370	—	A 01 28 370	—
⑥ Snap-in panel without slots, with feet, ABS	A 01 34 370	—	A 01 36 370	—	A 01 38 370	—
⑥ Snap-in panel with slots, with feet, ABS	A 01 44 370	—	A 01 46 370	—	A 01 48 370	—
Handle bar*3, off-white, push-button off-white	A 03 44 217		A 03 46 317		A 03 48 417	
Handle bar*3, pebble grey, push-button off-white	A 03 44 218		A 03 46 318		A 03 48 418	
Handle bar*3, off-white, push-button pebble grey	A 03 44 216		A 03 46 316		A 03 48 416	
Tilt foot, ABS, off-white, snaps into the feet section	A 03 50 007		A 03 50 007		A 03 50 007	

## ACCESSORIES

Article supply each 1 pc	Part-No. for EURO CASE 42 TE		Part-No. for EURO CASE 63 TE		Part-No. for EURO-CASE 84 TE	
	Front / rear panel, matt anodized Al, R6 1 HE	250.8 x 46.3 x 2	A 03 14 270	357.8 x 46.3 x 2	A 03 16 370	—
Front / rear panel, matt anodized Al, R6 1.5 HE	250.8 x 68.5 x 2	A 03 54 270	—	—	—	—
Front / rear panel, matt anodized Al, R6 2 HE	250.8 x 90.7 x 2	A 03 24 270	357.8 x 90.7 x 2	A 03 26 370	464.3 x 90.5 x 2	A 03 28 470
Front / rear panel, matt anodized Al, R6 3 HE	250.8 x 135.2 x 2	A 03 34 270	357.8 x 135.2 x 2	A 03 36 370	464.3 x 135 x 2	A 03 38 470
Front / rear panel, matt anodized Al, R6 4 HE	—	—	—	—	464.3 x 179.3 x 2	A 03 48 470
Front / rear panel, matt anodized Al, R6 6 HE	—	—	357.8 x 268.6 x 2	A 03 66 370	464.3 x 268.1 x 2	A 03 68 470

To achieve one EURO-CASE from separate parts, for a special combination, please order:

- 2 case shells
- 4 snap-in panels
- 2 side panels (if needed)
- 1 handle bar (if needed)
- 2 tilt feet (if needed)
- 2 front / rear panels (if needed)



Explanation of the parts see order data of the separate parts in the table.

\*1 front / rear panel and tilt feet must be ordered separately

\*2 ventilation provided with each enclosure (snap-in panel at the base additionally with foot):

- version without ventilation slots
- version with ventilation slots at rear, top and base
- version with ventilation slots at front, rear top and base

\*3 the adjustment mechanism allows increments of 30°; load capacity see Info-Box page 87, illustration no. ②.

## **X-ON Electronics**

Largest Supplier of Electrical and Electronic Components

*Click to view similar products for [okw manufacturer](#):*

Other Similar products are found below :

[A1020648](#) [A9413351](#) [B3218101](#) [B4208208](#) [B9004028](#) [A9082065](#) [A0224070](#) [M-6PCBK](#) [A5116000](#) [D1040465](#) [D2012121](#) [D2512017](#)  
[D2512018](#) [D3015317](#) [D4054117](#) [D5111807](#) [D9052288](#) [D9072149](#) [D9408441](#) [D9413648](#) [D9413747](#) [A1020049](#) [A2650060](#) [B3214101](#)  
[A9180001](#) [A9066119F](#) [A1320260](#) [A1324860](#) [A4123105](#) [A4140100](#) [A4223000](#) [D9051459](#) [A1020048](#) [A2440068](#) [A9084165](#) [A1321860](#)  
[A1422469](#) [A4213008](#) [A6023019](#) [A7510000](#) [D5111057](#) [D5116057](#) [A2531068](#) [A1020068](#) [A2513048](#) [A3016638](#) [A3116068](#) [A9406351](#)  
[A1031639](#) [A1102007](#)