



Black

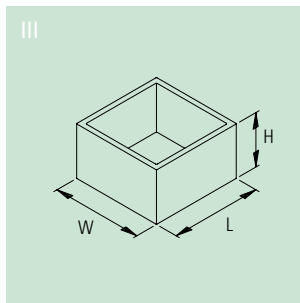
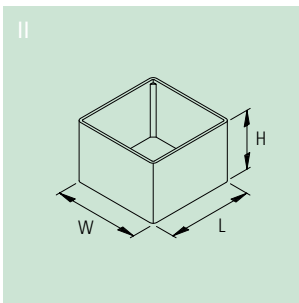
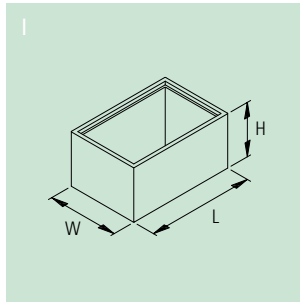
Duroplast



PA 6.6



ABS



THE PRODUCT

The comprehensive range of boxes for potting electronic assemblies. With special cost advantages for series-type production.

Potted assemblies are protected from shock as well as temperature, dampness and chemical influences. The versions made of Duroplast are not highly resistant to fracture.

YOUR ADVANTAGE

Duroplast

Resistant to deformation and extreme temperatures.

Polyamide 6.6

Good value for money. High-impact.

ABS

Good value for money. Preferably for potting small assemblies.

APPLICATIONS

For protecting and potting electronic assemblies.

POTTING BOXES



ENCLOSURES*1

POTTING BOXES	Outside dim. in mm			Wall-thickness in mm	Version	Part-No.	
	L	W	H			case	lid
Duroplast	20	20	13.1	0.85	I	A 80 20 130	–
	25	25	14.8	0.8	I	A 80 25 150	–
	25	25	25	0.8	I	A 80 25 251	–
	30.2	20.15	15.1	0.95	I	A 80 30 150	A 81 30 200
	40.5	13.8	16.1	1.1	I	A 80 40 160	A 81 40 130
	40.2	13.55	25	0.85	I	A 80 40 250	A 81 40 130
	40	40	12.8	1.0	I	A 80 40 130	A 81 40 400
	40.2	40.2	20	1.0	I	A 80 40 200	A 81 40 400
	45.1	30.1	15	1.15	I	A 80 45 150	A 81 45 300
	45.1	30	24.9	1.1	I	A 80 45 250	A 81 45 300
	49.9	13.1	15	1.0	I	A 80 50 150	–
	50.15	50.15	15.1	1.3	I	A 80 50 160	A 81 50 500
	50.1	50.1	25.1	1.3	I	A 80 50 250	A 81 50 500
	50.7	50.7	49.7	1.7	I	A 80 50 500	A 81 50 500
	70	50.4	20	1.4	I	A 80 70 200	A 81 70 500
	70.6	50.4	35	1.4	I	A 80 70 350	A 81 70 500
	90.3	60.3	20	1.6	I	A 80 90 200	–
	100.1	50.2	24.8	1.5	I	A 80 10 250	–
	100.0	100.0	40	1.8	I	A 80 10 400	–
							case
PA 6.6	14	14	11.5	0.7	II	A 80 14 118	
	17.4	15	10.5	0.7	III	A 80 17 108	
	17.4	15	15.3	0.6	II	A 80 17 158	
	18.6	18.6	13.7	0.6	III	A 80 18 138	
	20.8	20.8	12.6	0.8	III	A 80 20 128	
	21.3	13.3	17.7	0.9	III	A 80 21 178	
	22.4	22.4	14	0.8	III	A 80 22 148	
	26.4	26.4	35.2	1.1	III	A 80 26 358	
	29	29	19.2	1.0	III	A 80 29 198	
	30.3	30.3	50.3	1.5	III	A 80 30 508	
	32.4	32.4	20	1.0	III	A 80 32 208	
	38.8	38.8	26.6	1.2	II	A 80 39 268	
	38.9	38.9	38.8	1.2	II	A 80 39 398	
	40	10	20.2	1.0	II	A 80 40 208	
	46.2	46.2	40.8	1.1	III	A 80 46 408	
	ABS	12.3	12.3	15.3	1.0	III	A 80 12 159
21.2		21.2	12.1	1.0	III	A 80 21 129	
25.3		25.3	15.2	1.0	III	A 80 25 159	
38.3		20.4	20.2	1.0	III	A 80 38 209	
45.5		30.5	15.7	1.2	III	A 80 45 169	
67.5		35.8	46.3	1.7	III	A 80 67 469	

*1 cases supplied bulk packed

X-ON Electronics

Largest Supplier of Electrical and Electronic Components

Click to view similar products for [okw manufacturer](#):

Other Similar products are found below :

[A1020648](#) [A9413351](#) [B3218101](#) [B4208208](#) [B9004028](#) [A9082065](#) [A0224070](#) [M-6PCBK](#) [A5116000](#) [D1040465](#) [D2012121](#) [D2512017](#)
[D2512018](#) [D3015317](#) [D4054117](#) [D5111807](#) [D9052288](#) [D9072149](#) [D9408441](#) [D9413648](#) [D9413747](#) [A1020049](#) [A2650060](#) [B3214101](#)
[A9180001](#) [A9066119F](#) [A1320260](#) [A1324860](#) [A4123105](#) [A4140100](#) [A4223000](#) [D9051459](#) [A1020048](#) [A2440068](#) [A9084165](#) [A1321860](#)
[A1422469](#) [A4213008](#) [A6023019](#) [A7510000](#) [D5111057](#) [D5116057](#) [A2531068](#) [A1020068](#) [A2513048](#) [A3016638](#) [A3116068](#) [A9406351](#)
[A1031639](#) [A1102007](#)