



THE PRODUCT

SENSO-CASE is ideal for ergonomically favourable single-handed operation, and offers many different possible applications.

Specific measuring, controlling and signalling tasks as well as the recording of data using opto-electronic components can be carried out easily, quickly and reliably.

YOUR ADVANTAGE

Particularly user-friendly thanks to its ergonomic handle, suitable for right handed and left handed operation.

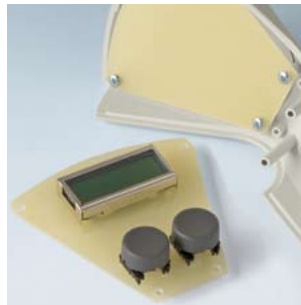
Recessed control panel for membrane and silicone keyboards, push-buttons and display modules.

Fastening pillars in the top part, adapted in height to the current display modules for direct installation of PCBs and push-buttons.

Ideal for pre-assembled electronics packages, including those with integrated interfaces.

Also available with push-button for immediate and/or temporary operation.

Internal power supply with 2 x 1.5 V mignon cells (AA) or 1 x 9 V flat battery (PP3). Battery compartment for 2 x AA as well as cable glands and a set of strain relief for cable operation available as accessories. Simultaneous operation using standard/rechargeable batteries and cable possible.



Off-white, RAL 9002
 Lava, NCS S 7502-B



APPLICATIONS

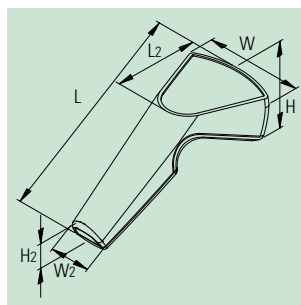
Sensor technology. Opto-electronics. Opto-digital technologies. Industrial image processing.

Measuring and control technology.

Stock and sales logging.

Medical field and laboratory technology.

Communication.



PROTECTION CLASS IP 41

INFO-BOX

Innovative technology

Fully preassembled electronics packages with integrated interfaces are suitable for installation in the top part. The bottom part with elevated front part hooks into the front of the top part and is "invisibly" screwed tight.

Push-on cable strain reliefs form an attractive connection with cable-linked applications and are available as accessories. Alternatively, the opening in the handle is closed by means of a moulded part included in the supply so that it is flush with the contour.

Finally, the handle cover is fitted. It also hooks into the top part and is secured by means of a metric screw.



SENSO-CASE

ENCLOSURES

SENSO-CASE	L		Outside dim. in mm				Equipment	Material	Part-No.	
	L	L ₂	W	W ₂	H	H ₂			off-white	lava
M	180	78	86	32	45	25	–	ABS (UL 94 HB)	A 90 56 107	A 90 56 108
	180	78	86	32	45	25	• (single-pole)	ABS (UL 94 HB)	A 90 56 207	A 90 56 208

ACCESSORIES

Article	For enclosure SENSOCASE	Version / Application	Part-No.
① Battery holder* ²	M	PP, black, for 2 x 1.5 V mignon cells (AA)	A 91 56 001
② Battery holder	M	spring steel, nickel-plated, for 1 x 9 V flat battery (PP3), 1 set	A 91 56 003
③ Plug-in contact* ³	M	for battery holder ① or 1 x 9 V flat battery (PP3), cable length 152 mm	A 91 56 002
④ Set of strain relief	M	for strain relief of cable connected applications	A 91 66 004
⑤ Cable gland	M	for cable ø 5.0 - 5.9 mm, elastomer, volcano	A 91 66 101
		for cable ø 4.2 - 5.0 mm, elastomer, volcano	A 91 66 131
		for cable ø 3.4 - 4.2 mm, elastomer, volcano	A 91 66 161
⑥ Self-tapping screw	M	2.5 x 6 mm, crosshead screw Z (type PZ1), for mounting PCBs, 1 pc	A 03 05 031
⑦ Ring eyelet	M	plastic, volcano, inside ring diameter 4 mm, max. wall thickness 4 mm, location hole ø 5 mm required	A 91 00 002
⑧ Holder	M	ABS, also suitable for cable connected applications	A 91 56 307
⑨ Adhesive foil	holder M	double-sided adhesive foil with foam carrier	A 91 56 005



*¹ case set incl. single-pole contact (max. 28 V/100 mA), assembly elements, connection cables and elastic cap made of TPE in the colour orange; the protection class remains

*² contacts to fit the plug-in contact ③

*³ with protective case

NEW PRODUCT

X-ON Electronics

Largest Supplier of Electrical and Electronic Components

Click to view similar products for [Electrical Enclosures](#) category:

Click to view products by [OKW](#) manufacturer:

Other Similar products are found below :

[120-905](#) [120-403](#) [120-475](#) [120-901](#) [127-410](#) [130-504](#) [130-506](#) [MR-25L+](#) [30-8739](#) [PIP-11774SCREW](#) [30-9715](#) [MR-25LW+](#) [110-407](#) [111-004](#) [111-008](#) [110-402](#) [110-901](#) [110-907](#) [111-002](#) [110-406](#) [110-910](#) [110-404](#) [110-409](#) [110-410](#) [120-405](#) [106-009](#) [106-505](#) [105-401](#) [106-006](#) [104-406](#) [105-405](#) [111-005](#) [127-909](#) [106-502](#) [130-475](#) [130-503](#) [127-401](#) [106-010](#) [127-455](#) [127-475](#) [110-903](#) [R260-180-300](#) [9511020](#)
[9822029](#) [9820014](#) [P61603000P](#) [9823009](#) [R103-164-000](#) [R103-202-000](#) [130-455](#)