

PIC32-HMZ144

General-purpose PIC32 development board

USER'S MANUAL

Document revision H, January 2021
Original board design by OLIMEX Ltd, 2015



All boards produced by Olimex LTD are ROHS compliant

DISCLAIMER

© 2021 Olimex Ltd. Olimex®, logo and combinations thereof, are registered trademarks of Olimex Ltd. Other product names may be trademarks of others and the rights belong to their respective owners.

The information in this document is provided in connection with Olimex products. No license, express or implied or otherwise, to any intellectual property right is granted by this document or in connection with the sale of Olimex products.

The hardware design of PIC32-HMZ144 development board is considered open source. Anyone can download the original schematics and board design files. The files describing the hardware are made with CadSoft's EAGLE PCB design software.

The part of the software written by Olimex is released under GPL. However, note that the examples that we distribute are based on the libraries and projects released by Microchip. Make sure that you are acquainted with Microchip's license agreement before using, publishing, or distributing any code based on our software.

It is possible that the pictures in this manual differ from the latest revision of the board.

The product described in this document is subject to continuous development and improvements. All particulars of the product and its use contained in this document are given by OLIMEX in good faith. However all warranties implied or expressed including but not limited to implied warranties of merchantability or fitness for purpose are excluded. This document is intended only to assist the reader in the use of the product. OLIMEX Ltd. shall not be liable for any loss or damage arising from the use of any information in this document or any error or omission in such information or any incorrect use of the product.

This evaluation board/kit is intended for use for engineering development, demonstration, or evaluation purposes only and is not considered by OLIMEX to be a finished end-product fit for general consumer use. Persons handling the product must have electronics training and observe good engineering practice standards. As such, the goods being provided are not intended to be complete in terms of required design-, marketing-, and/or manufacturing-related protective considerations, including product safety and environmental measures typically found in end products that incorporate such semiconductor components or circuit boards.

Olimex currently deals with a variety of customers for products, and therefore our arrangement with the user is not exclusive. Olimex assumes no liability for applications assistance, customer product design, software performance, or infringement of patents or services described herein.

THERE IS NO WARRANTY FOR THE DESIGN MATERIALS AND THE COMPONENTS USED TO CREATE PIC32-HMZ144. THEY ARE CONSIDERED SUITABLE ONLY FOR PIC32-HMZ144.

Table of Contents

CHAPTER 1: INTRODUCTION.....	4
1.1 BOARD FEATURES.....	4
1.2 MINIMAL BOARD USE REQUIREMENTS.....	5
1.3 TARGET MARKET OF THE BOARD.....	5
1.4 ELECTROSTATIC WARNING.....	6
1.5 DOCUMENT ORGANIZATION.....	6
CHAPTER 2: BOARD DESCRIPTION.....	7
2.1 LAYOUT (TOP VIEW).....	7
2.2 PINOUT.....	8
CHAPTER 3: BOARD SCHEMATIC AND DIMENSIONS.....	9
3.1 SCHEMATIC.....	9
3.2 PHYSICAL DIMENSIONS.....	11
CHAPTER 4: PROCESSOR DETAILS.....	12
4.1 FEATURES.....	12
4.2 MICROCONTROLLER BLOCK DIAGRAM.....	15
4.3 MICROCONTROLLER MEMORY MAP.....	16
CHAPTER 5: CONTROL CIRCUITRY.....	17
5.1 POWER SUPPLY CIRCUIT.....	17
5.2 RESET CIRCUIT.....	18
5.3 CLOCK CIRCUIT.....	18
CHAPTER 6: JUMPERS, CONNECTORS AND INTERFACES.....	19
6.1 JUMPER DESCRIPTION.....	19
6.2 INPUT/OUTPUT.....	19
6.3 EXTERNAL CONNECTOR DESCRIPTION.....	19
6.3.1 ICSP CONNECTOR.....	19
6.3.2 JTAG ROW.....	20
6.3.3 UEXT.....	20
6.3.4 MICROSD CARD.....	21
CHAPTER 7: AVAILABLE DEMO SOFTWARE.....	22
7.1 BLINKING LED MPLABX DEMO.....	22
7.2 FULL HARMONY DEMO.....	22
CHAPTER 8: ORDERING INFORMATION AND REVISIONS.....	24
8.1 DOCUMENT REVISION.....	24
8.2 BOARD REVISION.....	25
8.3 USEFUL WEB LINKS.....	26
CHAPTER 9: WARRANTY AND SUPPORT.....	27

CHAPTER 1: INTRODUCTION

Thank you for choosing this general-purpose development board designed and assembled by Olimex LTD! This document provides a user's guide for the PIC32-HMZ144 board. As an overview, this chapter gives the scope of this document and lists the board's features. The document's organization is then detailed.

The PIC32-HMZ144 development board allows code development of applications running on the PIC32MZ144 processor, manufactured by Microchip Technology Inc from the U.S.A.

PIC32-HMZ144 board is an open-source, open-hardware project and all documents needed to manufacture the board are available to the customer.

The software code written by Olimex LTD is released under GPL. However, the examples that we distribute are heavily based on the libraries and projects released by Microchip Technology Inc, which are non-GPL. Make sure that you are acquainted with Microchip's license agreement before using, publishing, or distributing any code based on the demo software released by Olimex LTD.

1.1 BOARD FEATURES

PIC32-HMZ144 board currently features a **PIC32MZ2048EFM144** processor. It is the biggest and most expensive chip from the family. It is one of the most-capable PIC32 processors ever made and it has a lot of interfaces available (FPU, 6 x UARTs; 6 x SPIs; 5 x I2Cs; 120 x IO pins; 48-channel ADC; two analog comparators; Ethernet; USB-OTG; CAN; Crypto; JTAG; TRACE; etc.) The board has several ready-to-use interfaces exposed and available on connectors: a microSD card connector; mini USB connector (with OTG functionality); ICSP connector for programming and debugging; UEXT connector for extension modules; user-programmable LED; user-programmable button; 100 pinholes in two rows for measurements and access to IO processor pins; etc. The most notable board features are listed below:

- **PIC32MZ2048EFM144** with 512KB RAM and 2MB flash
- USB-OTG functionality with mini USB connector
- Micro SD card connector
- ICSP interface and connector for debugging and programming
- JTAG pins exposed on 0.1" step 6 pins
- EXT1 and EXT2 50 pin 0.1" connectors that ease the access to the processor
- RESET and USER buttons
- PWR and STATUS LEDs
- Li-Po battery connector and charger
- UEXT connector
- Dimensions: (77×52)mm ~ (3×2)"

Starting 01th of June 2019, the PIC32MZ2048EFG144 was upgraded to **PIC32MZ2048EFM144**. The bigger chip adds 2xCAN interfaces, Crypto engine, and extra DMA channels.

Starting 20th of October 2017 the PIC32MZ2048ECG144 chip was upgraded to PIC32MZ2048EFG144. The PIC32MZ2048ECG144 was officially declared "not recommended for new designs" by Microchip and we switched to the officially suggested replacement. The chips are pretty much the same except that the new EFG chip has a floating point unit (FPU), better maximum A/D resolution (12 v 10) and better maximum A/D sample rate.

1.2 MINIMAL BOARD USE REQUIREMENTS

- **Hardware required for programming**

In order to upload code on the board you would need a PIC32 compatible debugger or programmer. Older tools might lack support for PIC32 processor. Please ensure your programmer/debugger is compatible with the PIC32MZ processor family.

The board has no bootloader. You need either a debugger or a programmer tool to download software to the board. The on-board ICSP interface is available at a 6-pin (1×6) 0.1” step connector.

- **Software required for programming**

You would need software that supports PIC32MZ family of processors. The most commonly used tool for software development for PIC32MZ applications is MPLAB X. The most used tool for binary upload to PIC32MZ is MPLAB IPE. Microchip provides a set of libraries and demo projects for the PIC32MZ family in their “Harmony Integrated Software Framework”.

Note that MPLAB 8.xx does NOT support PIC32MZ.

- **(Optional) hardware to power the board.**

The board requires power supply. If your debugger/programmer is not capable of powering the board via the ICSP connector then you would need either: USB cable (1); or Li-Po battery (2); or 5V external power supply (3).

(1) The USB cable should have male mini USB connector to be able to fit the board's female mini USB connector.

(2) The battery requires a male DW02R connector (CI0102) to fit in the on-board female DW02R connector. Beware of the polarity orientation!

(3) There are only pinholes available on the board. You would need wires (and probably soldering) to establish a connection between the external power supply (adapter) and the board.

1.3 TARGET MARKET OF THE BOARD

PIC32-HMZ144 would attract PIC enthusiasts and veterans who want to evaluate the features of the PIC32MZ2048EFM144 processor. Any experience with the development tools required for general-purpose development of code for boards featuring PIC32MZ boards is a great plus.

The board is not suitable for complete beginners – it lacks a bootloader which means that you can't upload software via the USB. You need at least a PIC32-compatible programmer with 6-pin 0.1” step ICSP connector.

In case you are a complete beginner you might want to start with a board with bootloader, like PIC32-PINGUINO-OTG or DUINOMITE. You can upload code to such boards via an USB cable.

1.4 ELECTROSTATIC WARNING

The PIC32-HMZ144 board is shipped in protective anti-static packaging. The board must not be subject to high electrostatic potentials. General practice for working with static sensitive devices should be applied when working with this board.

It is recommended to purchase rubber feet for the board and place each one in the holes near the edges of the board. This way the board would be safe if placed on conductive surfaces!

1.5 DOCUMENT ORGANIZATION

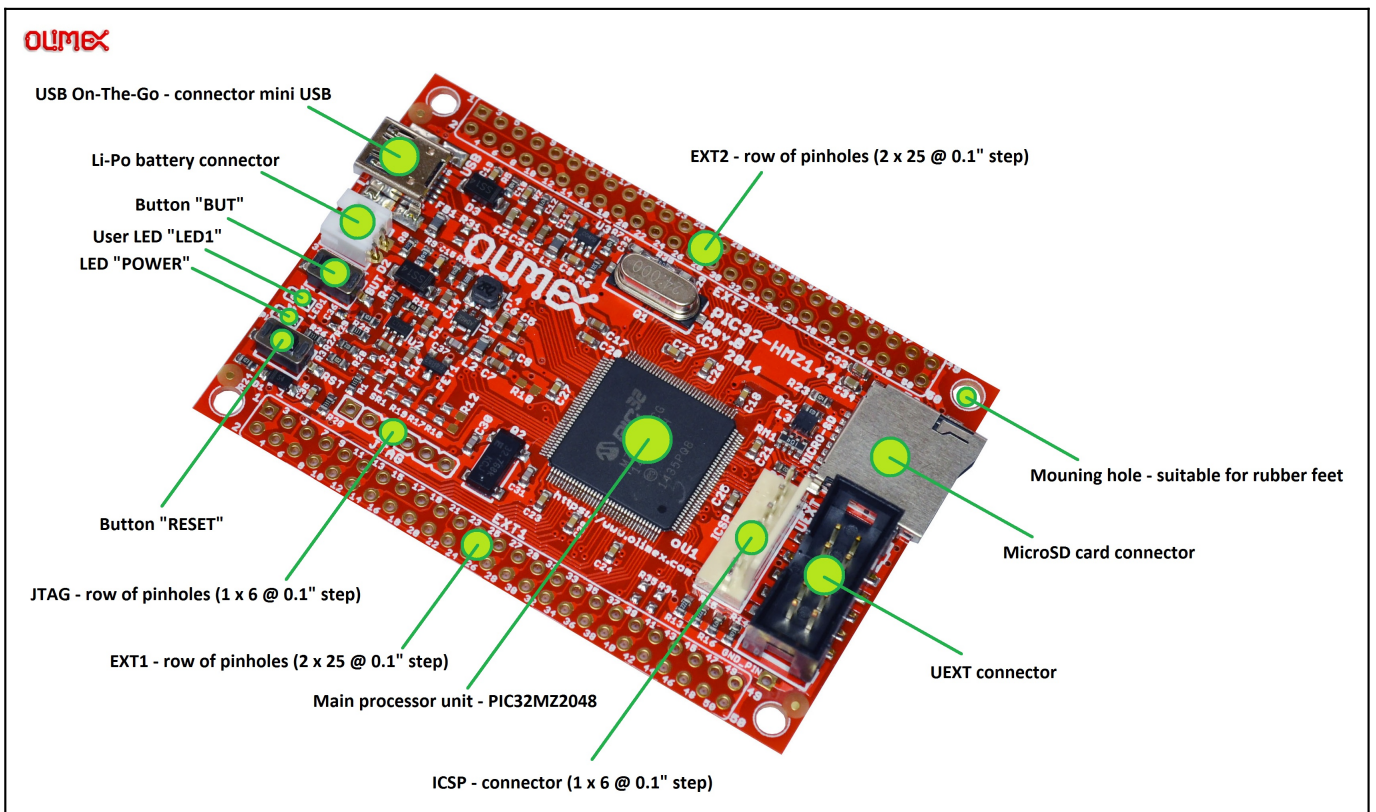
Each section in this document covers a separate topic, organized as follows:

- Chapter 1 is an overview of the board usage and features
- Chapter 2 contains the general board diagram and layout
- Chapter 3 provides the schematics and the dimensions of the board
- Chapter 4 provides a guide for quickly setting up the board and software notes
- Chapter 5 describes the component that is the heart of the board: the Microchip's PIC32MZ2048 processor
- Chapter 6 is an explanation of the control circuitry associated with the processor
- Chapter 7 covers the connector pinout, peripherals and jumper description
- Chapter 8 contains the revision history, useful links and support information
- Chapter 9 contains the warranty information

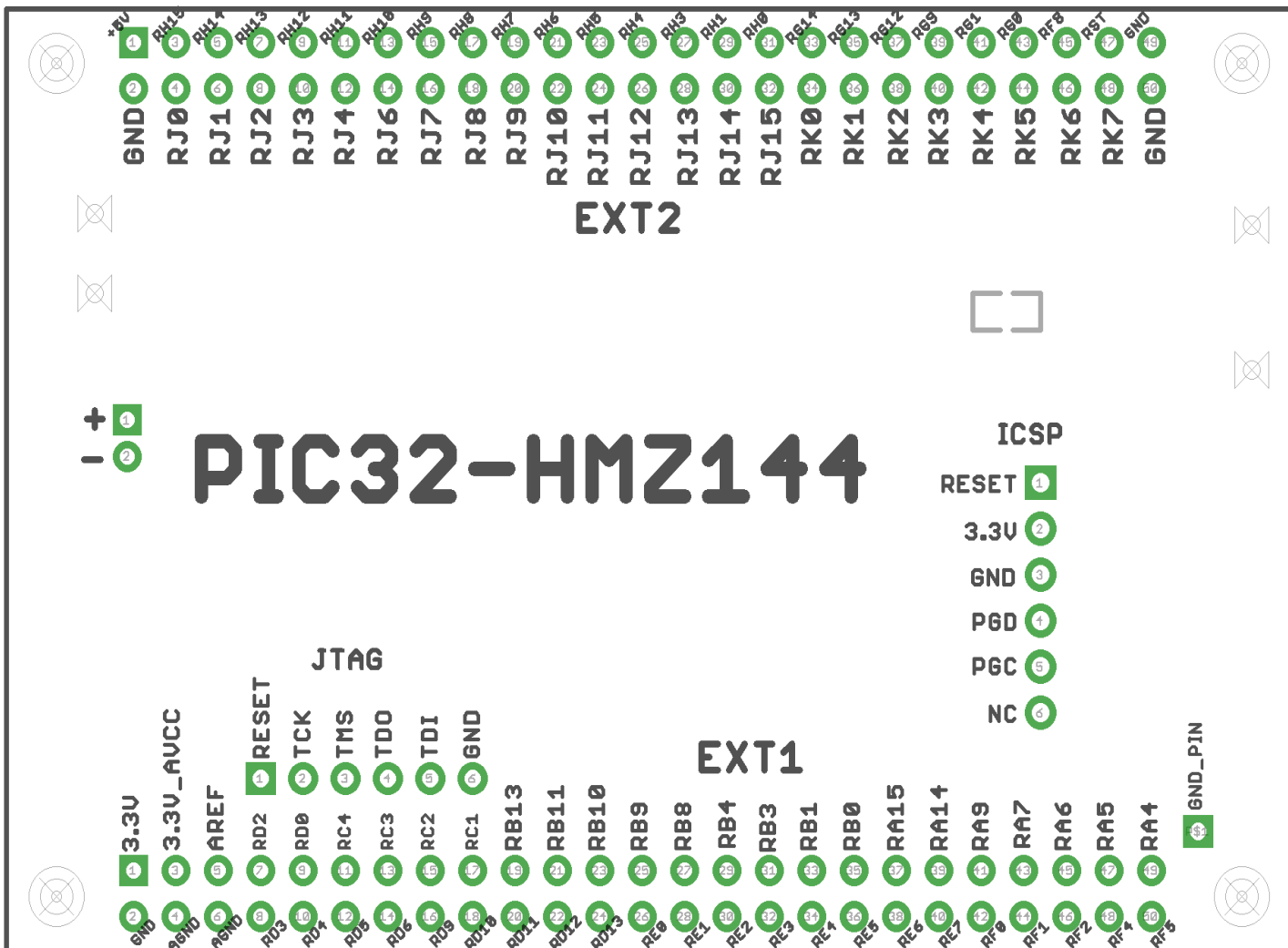
CHAPTER 2: BOARD DESCRIPTION

2.1 LAYOUT (TOP VIEW)

The picture below shows the top side of the board and highlights the most important parts:



2.2 PINOUT



CHAPTER 3: BOARD SCHEMATIC AND DIMENSIONS

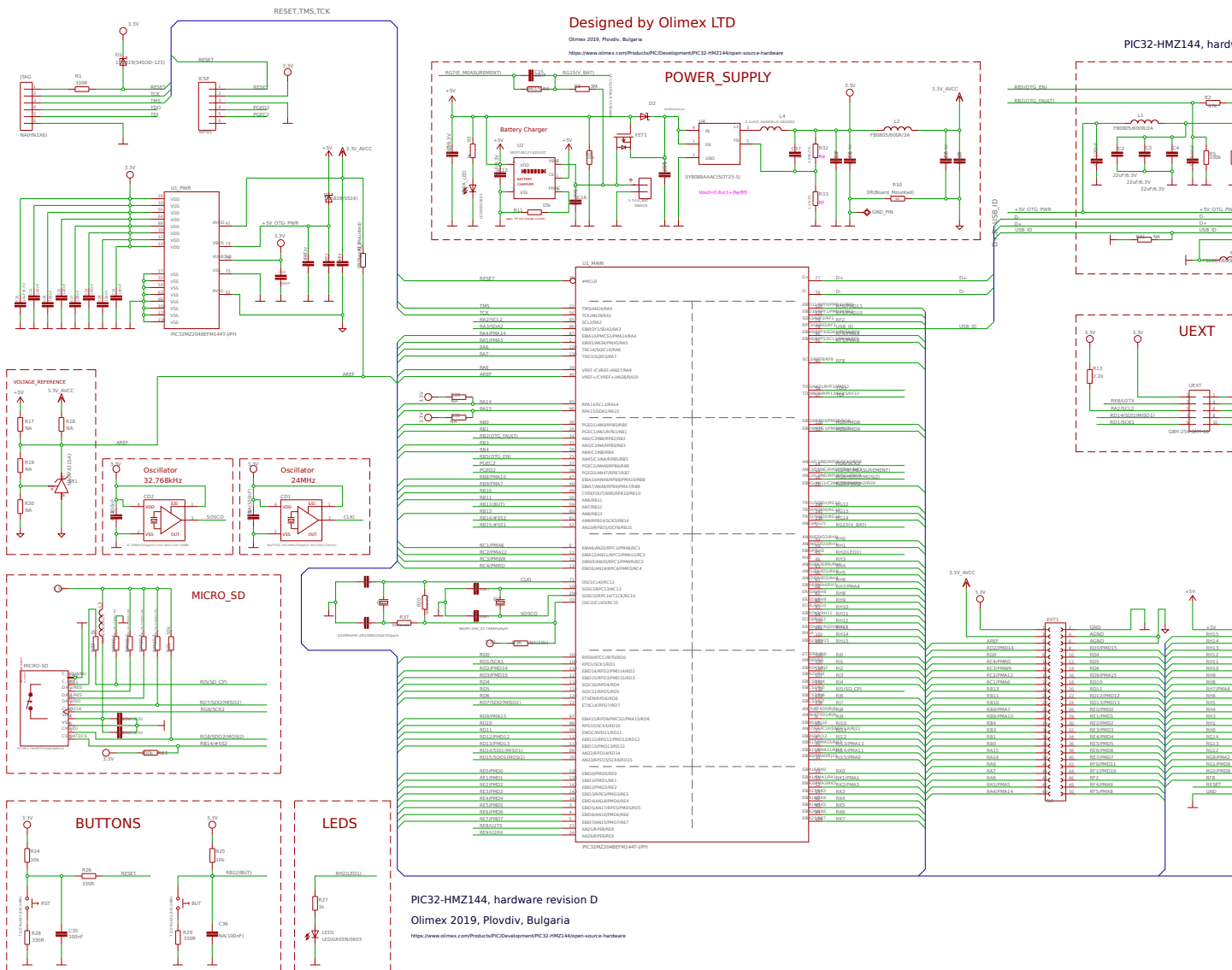
In this chapter you may find information about the schematics describing logically and physically PIC32-HMZ144.

3.1 SCHEMATIC

The schematic of PIC32-HMZ144 is available for reference on the next page.

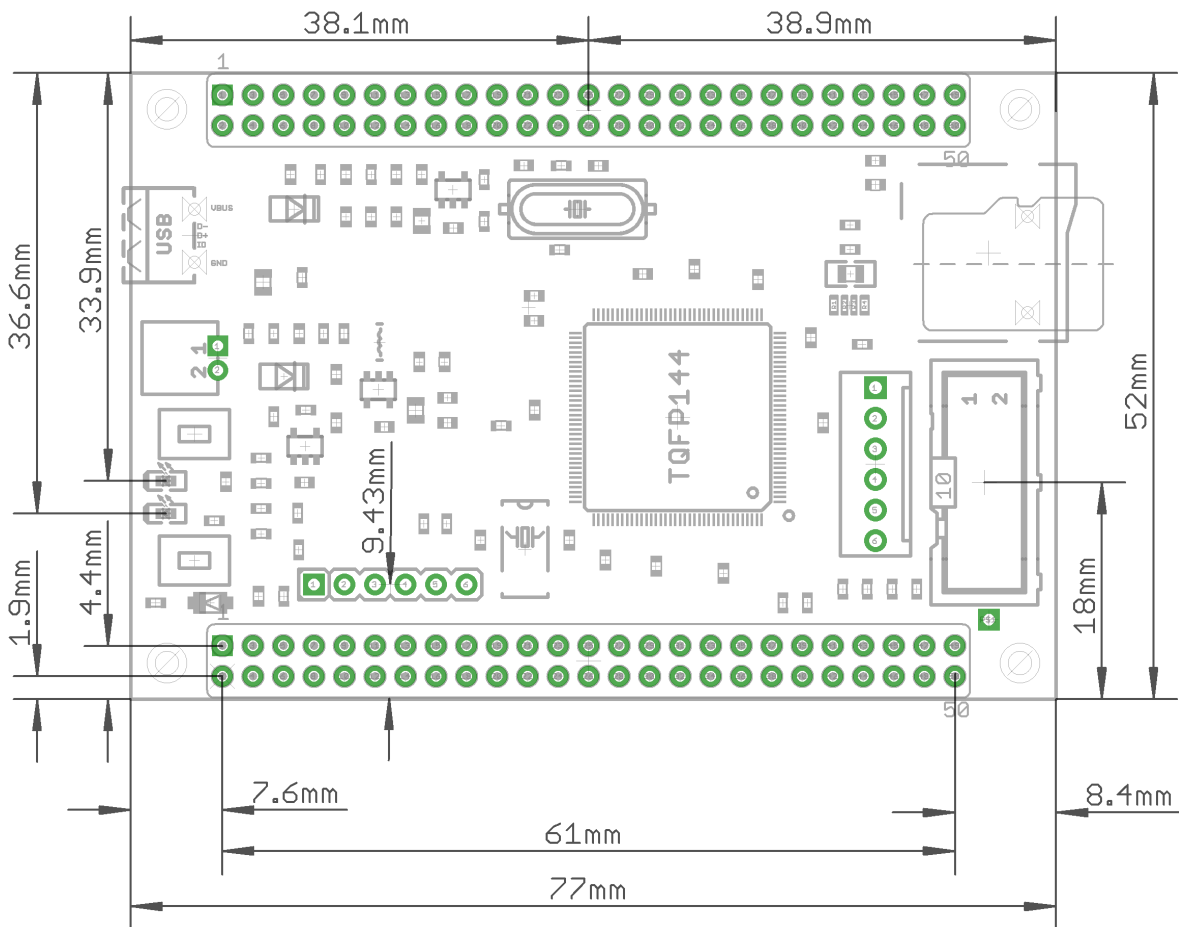
The design files are available at our GitHub repository. Refer to chapter 8 to find the link to our repository.

If you are looking for a schematic of an older revision of the board and it isn't available at our web site you may request it by the support e-mail.



3.2 PHYSICAL DIMENSIONS

Note that all dimensions are in millimeters.



CHAPTER 4: PROCESSOR DETAILS

Some of the details about the main processor in the design of PIC32-HMZ144 (PIC32MZ2048EFM144) are mentioned in this chapter. It is highly recommended to refer to the original datasheet which might be downloaded from the Microchip's official web-side.

4.1 FEATURES

PIC32-HMZ144 board uses MCU PIC32MZ2048EFM144T-I/PH from Microchip Technology. We use the industrial version of the chip that operates in the -40°C to $+85^{\circ}\text{C}$ temperature range. The main processor of the board is one of the biggest processors of the PIC32MZ family. It has the following features that distinguish it from the rest of the family:

- **Programmable memory (KB): 2048**
- **Data memory (KB): 512**
- **Pins count: 144**
- **I/O pins: 120**
- **Reprogrammable pins: 53**
- **ADC channels: 48**
- **SPI/I2S interfaces: 6**
- **2xCAN interfaces: Yes**
- **Crypto engine: Yes**
- **DMA channels (programmable/dedicated): 8/18**

Note that previously PIC32-HMZ144 came with PIC32MZ2048EFG144 which lacks CAN interface, Crypto unit, and has less DMA channels. The design was upgraded to PIC32MZ2048EFM144 for free since the prices of the two chips are very similar.

The first revisions of the PIC32-HMZ144 board came with PIC32MZ2048ECG144 which lacked FPU unit. The design was upgraded to PIC32MZ2048EFG144 following a number of requests to change the chip (since the ECG144 chip was no longer recommended for new products).

The PIC32MZ family of processors are 32-bit MCUs that pack the following shared features:

Operating Conditions

- 2.1V to 3.6V, -40°C to $+85^{\circ}\text{C}$, DC to 252 MHz

Core: 200 MHz (up to 330 DMIPS) microAptiv™

- 16 KB I-Cache, 4 KB D-Cache
- FPU for 32-bit and 64-bit floating point math
- MMU for optimum embedded OS execution
- microMIPS™ mode for up to 35% smaller code size
- DSP-enhanced core:
 - Four 64-bit accumulators
 - Single-cycle MAC, saturating and fractional math
 - IEEE 754-compliant
- Code-efficient (C and Assembly) architecture

Clock Management

- Programmable PLLs and oscillator clock sources
- Fail-Safe Clock Monitor (FSCM)
- Independent Watchdog Timers (WDT) and Deadman Timer (DMT)
- Fast wake-up and start-up

Power Management

- Low-power modes (Sleep and Idle)
- Integrated Power-on Reset and Brown-out Reset

Memory Interfaces

- 50 MHz External Bus Interface (EBI)
- 50 MHz Serial Quad Interface (SQI)

Audio and Graphics Interfaces

- Graphics interfaces: EBI or PMP
- Audio data communication: I2S, LJ, and RJ
- Audio control interfaces: SPI and I2C
- Audio master clock: Fractional clock frequencies with USB synchronization

High-Speed (HS) Communication Interfaces (with Dedicated DMA)

- USB 2.0-compliant Hi-Speed On-The-Go (OTG) controller
- 10/100 Mbps Ethernet MAC with MII and RMI interface

Security Features

- Crypto Engine with a RNG for data encryption/decryption and authentication (AES, 3DES, SHA, MD5, and HMAC)
- Advanced memory protection:
 - Peripheral and memory region access control

Direct Memory Access (DMA)

- Eight channels with automatic data size detection
- Programmable Cyclic Redundancy Check (CRC)

Advanced Analog Features

- 12-bit ADC module:
 - 18 Msps with up to six Sample and Hold (S&H) circuits (five dedicated and one shared)
 - Up to 48 analog inputs
 - Can operate during Sleep and Idle modes
 - Multiple trigger sources
 - Six Digital Comparators and six Digital Filters
- Two comparators with 32 programmable voltage references
- Temperature sensor with $\pm 2^{\circ}\text{C}$ accuracy

Communication Interfaces

- Two CAN modules (with dedicated DMA channels):
- 2.0B Active with DeviceNet™ addressing support
- Six UART modules (25 Mbps):
 - Supports LIN 1.2 and IrDA® protocols
- Six 4-wire SPI modules

- SQI configurable as an additional SPI module (50 MHz)
- Five I2C modules (up to 1 Mbaud) with SMBus support
- Parallel Master Port (PMP)
- Peripheral Pin Select (PPS) to enable function remap

Timers/Output Compare/Input Capture

- Nine 16-bit or up to four 32-bit timers/counters
- Nine Output Compare (OC) modules
- Nine Input Capture (IC) modules
- PPS to enable function remap
- Real-Time Clock and Calendar (RTCC) module

Input/Output

- 5V-tolerant pins with up to 32 mA source/sink
- Selectable open drain, pull-ups, pull-downs, and slew rate controls
- External interrupts on all I/O pins
- PPS to enable function remap

Qualification and Class B Support

- Class B Safety Library, IEC 60730
- Back-up internal oscillator

Debugger Development Support

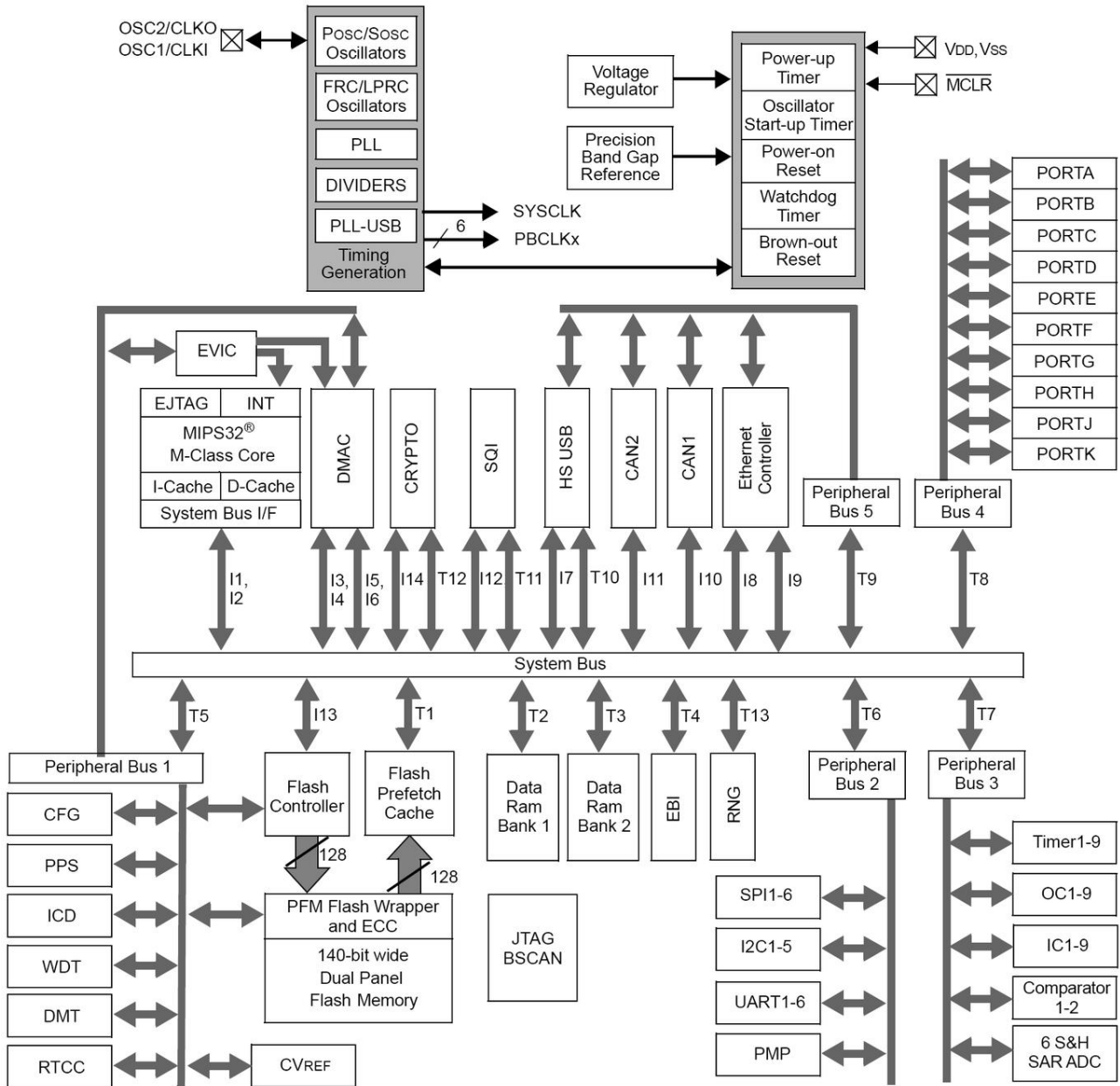
- In-circuit and in-application programming
- 4-wire MIPS® Enhanced JTAG interface
- Unlimited software and 12 complex breakpoints
- IEEE 1149.2-compatible (JTAG) boundary scan
- Non-intrusive hardware-based instruction trace

Software and Tools Support

- C/C++ compiler with native DSP/fractional support
- MPLAB® Harmony Integrated Software Framework
- TCP/IP, USB, Graphics, and mTouch™ middleware
- MFi, Android™, and Bluetooth® audio frameworks
- RTOS Kernels: Express Logic ThreadX, FreeRTOS™, OPENRTOS®, Micrium® µC/OS™, and SEGGER embOS®

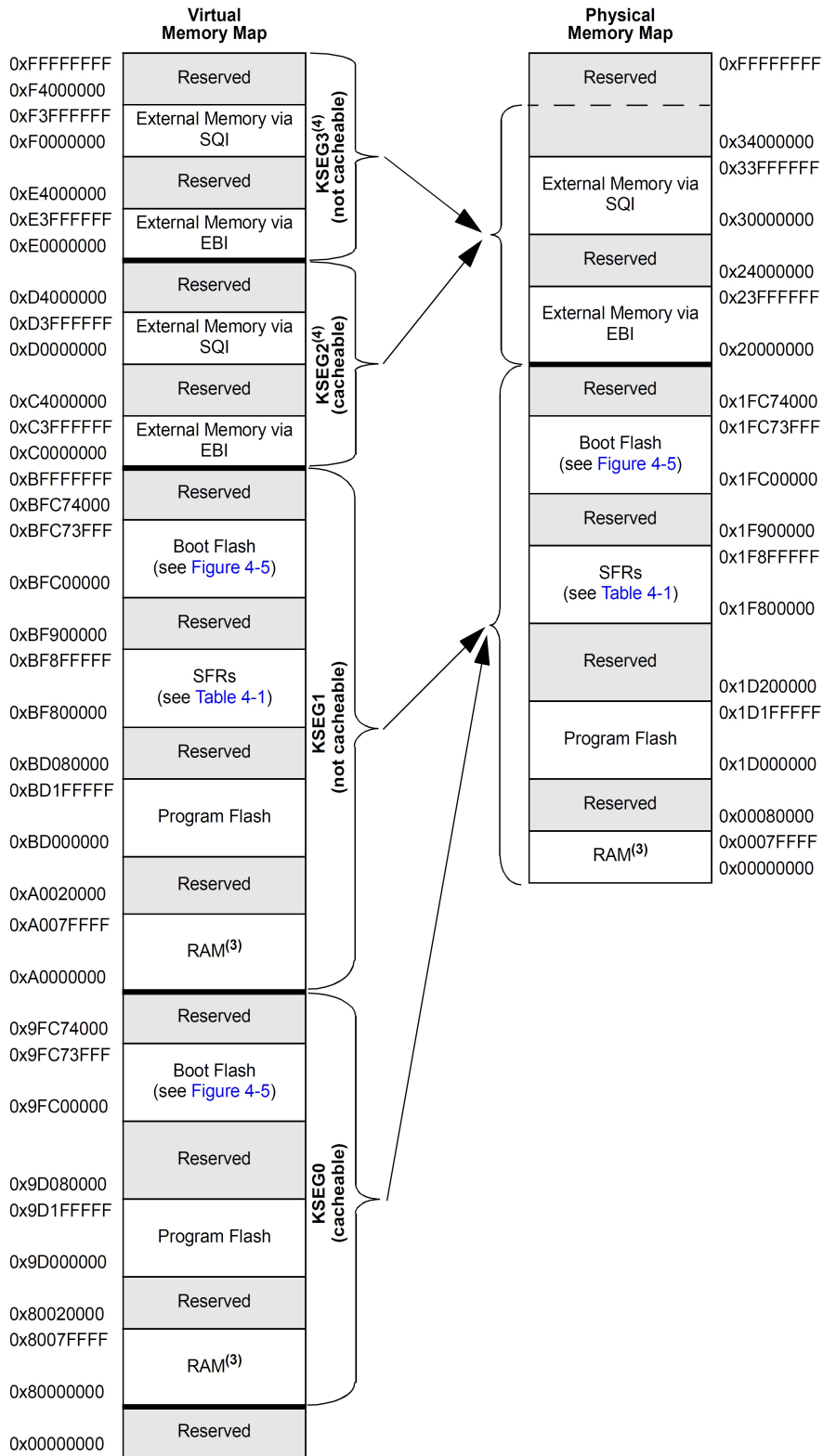
4.2 MICROCONTROLLER BLOCK DIAGRAM

A block diagram with main functional parts of the microcontroller as seen in the official Microchip documentation.



4.3 MICROCONTROLLER MEMORY MAP

The microcontroller's memory regions as seen in the official Microchip documentation.



- Note**
- 1: Memory areas are not shown to scale.
 - 2: The Cache, MMU, and TLB are initialized by compiler start-up code.
 - 3: RAM memory is divided into two equal banks: RAM Bank 1 and RAM Bank 2 on a half boundary.
 - 4: The MMU must be enabled and the TLB must be set up to access this segment.

CHAPTER 5: CONTROL CIRCUITRY

5.1 POWER SUPPLY CIRCUIT

You have options on powering PIC32-HMZ144. You can power the board by providing:

- **5V on the mini USB connector**

You can power the board from your personal computer via an USB cable; the USB ports of a personal computer typically provide around 5V of voltage and 500mA of current.

Avoid using USB cables longer than 2 meters. Avoid the cheapest cables with high inner resistance.

- **(3.6 – 4.2)V on the Li-Po battery connector**

The board can be powered the board from a Li-Po battery with a fitting connector; a Li-Po battery typically provides between 3.6V and 4.2V of voltage.

- **3.3V on the ICSP connector**

PIC32-HMZ144 can be powered by your debugger (programmer) tool, as long as the tool is capable of powering targets. You would need to set and enable the powering voltage to 3.3V in the software options of MPLAB.

- **5V to pin 1 of the EXT2 connector**

The board can be powered by external power supply (adapter) capable of providing 5V of voltage. You should connect the 5V wire to pin #1 of EXT2 connector. You also need to connect the ground wire to pin #2 of the same (EXT2) connector. The names of the pins are printed at the bottom of the board.

Different methods of powering would lead to different maximum current available. Consider powering the board with an external power supply connected to EXT2 if you need extra current (in case you have to power additional hardware via PIC32-HMZ144).

You can have more than one power supply connected at the same time. Note that the board has built-in battery charger. If you have another power source connected to the board at the same time as the battery (for example, USB) – the charger circuit would attempt to recharge the battery. This would raise the current consumption of the whole board.

With no extra peripherals connected, the board's current consumption is about 100mA at 5V when running the default demo program.

5.2 RESET CIRCUIT

PIC32-HMZ144's reset signal (processor pin #20, “#MCLR”) can be found on the pads of the JTAG connector (pad #1); on the ICSP connector (connector pin #1); and it is also connect to a button.

The reset circuit of the button consists of RC group R24 – 10k Ω and C35 – 100nF. Serial resistor R26 – 330 Ω is used to prevent fast C35 charge and discharge when PIC32MZ2048 is being programmed.

Manual reset is possible by the RESET button.

5.3 CLOCK CIRCUIT

In the latest hardware revision there is CD2 32.768kHz oscillator handling the RTC. Make sure that the SOSSEN bit is enabled to use it.

There is also quartz Q1 24MHz.

Make sure to refer to the errata sheets the chips if you investigating the clocks.

CHAPTER 6: JUMPERS, CONNECTORS AND INTERFACES

In this chapter you will find the description of the jumpers and what signals might be found on the different connectors.

6.1 JUMPER DESCRIPTION

PIC32-HMZ144 has no re-configurable jumpers.

6.2 INPUT/OUTPUT

User button with name BUT – connected to PIC32MZ's pin #59 (AN7/RB12). BUT can be accessed via software means.

Reset button with name RST – connected to PIC32MZ's pin #20 (#MCLR).

Status LED (green) with name LED1 – connected to PIC32MZ's pin #45 (EBIRP/RH2). LED1's behavior can be programmed.

Power supply red LED with name PWR – indicates that 5V power supply is available. Cannot be programmed.

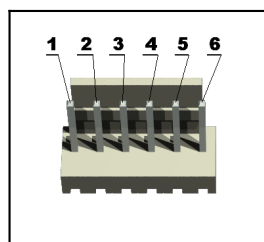
6.3 EXTERNAL CONNECTOR DESCRIPTION

In this sub-chapter you would find the pinout of the most interfaces. It is also a good practice to refer to the latest schematic.

6.3.1 ICSP CONNECTOR

The ICSP connector is used for serial programming. It is the place where most common PIC32-compatible programmers and debuggers are connected. The pins have 0.1" step. If your programmer/debugger has only the smaller 0.05" connector you might need an adapter or you should use jumper wires.

Pin #	Signal name
1	RSTN
2	3.3V
3	GND
4	PGED2
5	PGEC2
6	NC



PGED2 conducts I/O operations for the “Program Data” signal. Serial data for programming.
PGEC2 serves only as input for the “Program Clock” signal. Clock used for transferring the serial data (output from ICSP, input for the MCU).

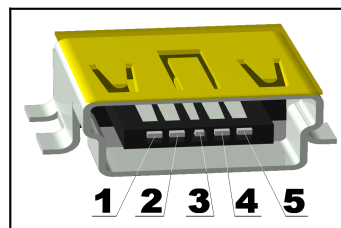
6.3.2 JTAG ROW

The 6-signal JTAG interface at the board lacks a connector. The board has a JTAG row of pin holes.

Pin #	Signal name
1	RESET
2	TCK
3	TMS
4	TDO
5	TDI
6	GND

6.3.3 USB_OTG

Pin #	Signal name
1	+5V_OTG_PWR
2	D-
3	D+
4	USB_ID
5	GND

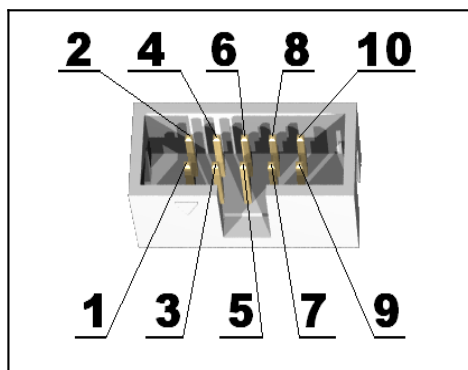


6.3.3 UEXT

The 10-pin UEXT connectors are typically mounted on Olimex boards. They pack three common interfaces in a single connector – UART, I2C and SPI. You can use the UEXT connector to access this interfaces easier (via jumper wires, for example).

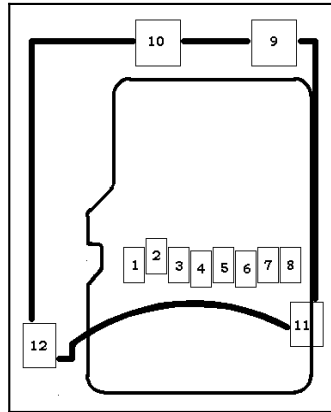
You can also connect expansion modules to the UEXT connectors. More on UEXT might be found here: <https://www.olimex.com/Products/Modules/UEXT/>

Pin #	Wire name
1	3.3V
2	GND
3	RE8/U2TX
4	RE9/U2RX
5	RA2/SCL2
6	RA3/SDA2
7	RD14/SDI1(MISO1)
8	RD15/SDO1(MOSI1)
9	SCK1RD1/SCK1
10	RB15/#SS1



6.3.4 MICROSD CARD

Pin #	Wire name
1	MCIDAT2
2	RB14/#SS2
3	RG8/SD02(MOSI2)
4	VDD (3.3 V)
5	AC1TX/SCK3A
6	GND
7	MISO3A
8	MCIDAT1
9	Card presence
10	Not Connected
11	Not Connected
12	Not Connected



CHAPTER 7: AVAILABLE DEMO SOFTWARE

There are two example projects available for the board. A simple blinking LED demo and a more complex demo that demonstrates a number of features.

7.1 BLINKING LED MPLABX DEMO

This is the most basic example. Download link:

https://www.olimex.com/Products/PIC/Development/PIC32-HMZ144/resources/PIC32-HMZ144_Blinking_LED.zip

There are three pre-built binaries inside (hex files), they allow downloading the demo code without compiling it yourself. Each binary is suitable for the different versions of the PIC32 chip that we have used. For the newest chip, use `Blink_EFM.hex`.

Compiling the project requires MPLABX and XC32 compiler (version 1.40). Open the project folder via MPLABX. Build info (tested with):

Board: PIC32-HMZ144 rev. D
IDE: MPLABX version 5.40
Compiler: XC32 version 1.40
Programmer: Olimex PIC-KIT3

It is recommended to use the same compiler version or you might encounter compiling errors.

7.2 FULL DEMO

This example is more complex and uses the Harmony framework. This example demonstrates several features of the board: LED, button, UART, RTC, SD card, USB. Download link:

https://www.olimex.com/Products/PIC/Development/PIC32-HMZ144/resources/PIC32_HMZ144_demo.zip

There are three pre-built binaries inside (hex files), they allow downloading the demo code without compiling it yourself. Each binary is suitable for the different versions of the PIC32 chip that we have used. For the newest chip, use `PIC32-HMZ144_EFM_v3.hex`.

Build info (tested with):

Board: PIC32-HMZ144 rev. D
Integrated development environment: MPLABX v5.40
Compiler: XC32 v1.40
Harmony framework: v1.06.01

It is recommended to use the same compiler version or you might encounter compiling errors.

If you want to follow the messages on the console you need to use a USB ↔ serial cable (like Olimex USB-SERIAL-CABLE-F or BB-CH340T or MOD-USB-RS232) to the UART pins of the UEXT (pin 3 is TX, pin 4 is RX). In order to switch between the different demos push the button.

Upon reset a fast external clock test will be done to ensure that the clock is OK. After that SD card demo would start start. It will read a file on the SD card with the name:

"FILE_TOO_LONG_NAME_EXAMPLE_123.JPG" (make sure you have such file in the card)

The program would make a copy of that file in a sub-directory named "Dir1". The generated directory and file must not exist prior to the software test (otherwise you will receive an error).

IMPORTANT NOTE: Microchip Harmony Configurator requires write protect pin but on PIC32-HMZ144 board there is no such pin; the one selected by default is used (PORTF1). Since we can't set it to low level, in order to make SD card demo work properly, RF1 should be set as output in low level! If you decide to change it make sure that the new WP pin is also low!

After the SD card demo is over you can see LED blinking with 1 Hz frequency controlled by the RTC oscillator.

Then the USB demo gets started – the board would initialize as an USB device (mouse). When you hold the button the mouse cursor will start moving.

On the terminal you can send characters and it will return echo (next symbol) followed by '*'.

Microchip Harmony Configurator (MHC) requires all *.configs available in order to be initialized. But having all of them in the project would make the archive too big. So in the archive are left only the libraries that are necessary for rebuilding. So if you want to change the configurations from MHC you have to copy the project inside the Microchip harmony directory "..\apps\usb\device\" and then open the MHC from MPLABX.

CHAPTER 8: ORDERING INFORMATION AND REVISIONS

You can purchase directly from our online shop or via any of our distributors. List of confirmed Olimex LTD distributors and resellers: <https://www.olimex.com/Distributors>.

Please visit <https://www.olimex.com/> for more info.

Trouble finding a product mentioned above? Product name of the board discussed in this document:

PIC32-HMZ144 – fully assembled and tested.

Below are listed some of the related products (you can type the name of a product in the search box of our web site to find it easily):

PIC-KIT3 – PIC32-HMZ144-compatible debugger, works fine with MPLAB X, MPLAB IPE. Fits the 6-pin on-board connector.

RUBBER-FEETS-W – rubber feet for the boards mount holes; useful to isolate the board from conductive surfaces

USB-MINI-CABLE – a standard USB cable with type A ↔ mini connectors.

BATTERY-LIPO1400 – a standard Li-Po battery equipped with a connector that fits the one located on PIC32-HMZ144. Olimex sells a range of such batteries with different capacity.

JW-200x10 – jumper wires with male-male connectors and 240mm of length; perfect for breadboarding; there are different lengths and configurations of connectors (m-m; f-m; f-f).

You can also find a big number of extension boards that can be connected to the UEXT of the board and also some of the components (if damage occurs and you want to replace the part yourself). Make sure to use the search box.

8.1 DOCUMENT REVISION

Document revision	Changes	Modified page
A, 12.11.15	Initial manual release	All
B, 14.12.15	Updated the information about the demo	22
C, 09.02.17	Added hardware revision changes; added information about the simple blinking LED demo	22, 25
D, 18.10.17	Added info about new hardware revision; changed schematic; the major change is the new chip with floating point unit. PIC32MZ144EFG instead of PIC32MZ144ECG.	4, 12
E, 13.04.18	Updated revision and revision info	4, 12
F, 11.12.19	Added info about new revision and PIC32MZ2048EFM144 chip; fixed numerous mistakes	All
G, 13.02.20	Added some info about CD2 and Q2	18
H, 21.01.21	Minor fixes and improvements	All

8.2 BOARD REVISION

Remember to check the schematics and the board design files to verify any differences between the different board revisions.

Board revision	Notable changes
B	Initial release of the board
C	<ol style="list-style-type: none"> Q1 crystal Q1 gets properly labeled as Q12.000MHz/HC-49S/SMD/20pF/30ppm (changed from 24MHz); the same quartz was placed in previous hardware revisions but the schematic value was not updated Crystal capacitors (C29, C32) changed from 27pF to 20pF as required in the errata: "C2=Cload, C1=Cload-2pF" and to have reserve of several pFs, because during production, always the capacitance is a little higher than expected R36=10k pull-up to 3.3V was added to the OSCO pin, i.e. MCU pin<72>;
C1	<ol style="list-style-type: none"> The main processor changed from PIC32MZ2048ECG144-I/PH to PIC32MZ2048EFG144-I/PH (the ECG was declared "not recommended for new designs" by Microchip); R36 changed from 10k to 1.5k; Removed quartz Q1. Q1, C29, C32 and R30 changed to NA - this is because of the errata sheets of both chips. Refer to 4; Added oscillator CD1 instead. CD1 is 24MHz oscillator; Q2, C30 and C31 changed to NA.
D	<ol style="list-style-type: none"> The main chip changed from PIC32MZ2048ECG144T-I/PH to PIC32MZ2048EFM144T-I/PH According to the PIC32MZ2048 errata sheet: <ul style="list-style-type: none"> - Primary oscillator crystal, revision A3 silicon: the primary oscillator has been tested in a normal power-up sequence and supports specific crystal operation. - The secondary oscillator (SOSC) does not support crystal operation. <p>Because of the above we added 2 oscillators and have changed the 2 crystals and their corresponding components to NA (not assembled).</p> <ol style="list-style-type: none"> One resistor added in series to the 24MHz's crystal. Check the errata sheet for PIC32MZ2048EFM144-I/PH silicon revision A3. The open source hardware logo was added to the bottom silkscreen. U4 changed from SY8009AAAC(SOT23-5) to SY8089AAAC(SOT23-5). L3 changed from CL470nH/0805/1.76R/250mA to FB0805/600R/2A. FET1 changed from IRLML6402 to WPM2015-3/TR(SOT23-3). Few spacing improvements: <ul style="list-style-type: none"> - the USB-OTG's connector moved 1.00mm towards the middle of the board; - the MICRO-SD card's package changed from TFC-WPAPR-08 to TFC-9P-1.5H(ATFFS150A01BR016);

8.3 USEFUL WEB LINKS

Visit the links below for more information and resources for the product:

- PIC32-HMZ144 official product page: <https://www.olimex.com/Products/PIC/Development/PIC32-HMZ144/>
- PIC32-HMZ144 at GitHub (EAGLE CAD source files): <https://github.com/OLIMEX/PIC32-HMZ144>
- MPLAB Harmony framework – flexible, abstracted, fully integrated firmware development platform for PIC32 microcontrollers: [MPLAB Harmony page](#)
- Official PIC-related Olimex forums: <https://www.olimex.com/forum/index.php?board=21.0>

CHAPTER 9: WARRANTY AND SUPPORT

For product support, hardware information and error reports mail to: support@olimex.com. All document or hardware feedback is welcome. Note that we are primarily a hardware company and our software support is limited. Please consider reading the paragraph below about the warranty of Olimex products.

All goods are checked before they are sent out. In the unlikely event that goods are faulty, they must be returned, to OLIMEX at the address listed on your order invoice.

OLIMEX will not accept goods that have clearly been used more than the amount needed to evaluate their functionality.

If the goods are found to be in working condition, and the lack of functionality is a result of lack of knowledge on the customers part, no refund will be made, but the goods will be returned to the user at their expense.

All returns must be authorized by an RMA Number. Email support@olimex.com for authorization number before shipping back any merchandise. Please include your name, phone number and order number in your email request.

Returns for any unaffected development board, programmer, tools, and cables permitted within 7 days from the date of receipt of merchandise. After such time, all sales are considered final.

Returns of incorrect ordered items are allowed subject to a 10% restocking fee. What is unaffected? If you hooked it to power, you affected it. To be clear, this includes items that have been soldered to, or have had their firmware changed. Because of the nature of the products we deal with (prototyping electronic tools) we cannot allow returns of items that have been programmed, powered up, or otherwise changed post shipment from our warehouse.

All returned merchandise must be in its original mint and clean condition. Returns on damaged, scratched, programmed, burnt, or otherwise 'played with' merchandise will not be accepted.

All returns must include all the factory accessories which come with the item. This includes any In-Circuit-Serial-Programming cables, anti-static packing, boxes, etc.

With your return, enclose your PO#. Also include a brief letter of explanation of why the merchandise is being returned and state your request for either a refund or an exchange. Include the authorization number on this letter, and on the outside of the shipping box.

Please note: It is your responsibility to ensure that returned goods reach us. Please use a reliable form of shipping. If we do not receive your package we will not be held liable.

Shipping and handling charges are not refundable. We are not responsible for any shipping charges of merchandise being returned to us or returning working items to you.

The full text might be found at <https://www.olimex.com/wiki/GTC#Warranty> for future reference.

X-ON Electronics

Largest Supplier of Electrical and Electronic Components

Click to view similar products for [Development Boards & Kits - PIC/DSPIC category](#):

Click to view products by [Olimex manufacturer](#):

Other Similar products are found below :

[S-191](#) [TDGL025](#) [LSD4NBT-B208000001](#) [DV330021](#) [DM160230](#) [DM164141](#) [DM164142](#) [DM164143](#) [DM320010](#) [DM320105](#) [DM330028](#)
[DV161001](#) [DM320008](#) [DM320008-C](#) [DM320010-C](#) [DM330026](#) [MIKROE-2653](#) [MIKROE-2644](#) [MIKROE-2657](#) [MIKROE-2647](#) [MIKROE-](#)
[2654](#) [MIKROE-2648](#) [MIKROE-2788](#) [MIKROE-1907](#) [410-336](#) [SC70EV](#) [ECC577448EU](#) [ESP32-Audio-Kit](#) [AC103011](#) [AC243026](#)
[AC323027](#) [ADM00333](#) [ARD00906](#) [DM160228](#) [DM163025-1](#) [DM163030](#) [DM164127-2](#) [DM164130-3](#) [DM164136](#) [DM164137](#) [DM164140](#)
[DM180021](#) [DM182026](#) [DM183021](#) [DM240001](#) [DM240001-2](#) [DM240001-3](#) [DM240004](#) [DM240011](#) [DM240012](#)