

Ultimate Miniature Size Connector with Integral Cable Clamp Cap



SMPW-CC Series

- ✓ Integral Cap+Cable Clamp
- ✓ Strain Relief With Grommet
- ✓ Captive Cover Screws
- ✓ Captive Clamp Screws
- ✓ Accepts Stranded or Solid Wire as Small as 40 AWG Up to 20 AWG, or Overbraided, TWSH, Armored Up to 5.5 mm (0.22") OD
- ✓ Contact Washers for Quick Connect Wire Termination
 - Use Straight Wire
 - No Wire Loop Required
- ✓ Internal Wire Divider
- ✓ Write-On Window
- ✓ Combination Phillips/Slot Screws
- ✓ 100% Top Side Assembly
- ✓ Glass Filled Nylon Rated From -29 to 180°C (-20 to 356°F)

Note: Minor discoloration of connector may occur between 150°C (302°F) and 180°C (356°F). Electrical properties are not affected.

Reduce Assembly Time From 3 Minutes to Less Than 1 Minute!



**Incredible Labor Saver!
No Loose Screws, All Cover Screws Are Captive!**

Terminate straight wire, wire loop not necessary.

Back plate 1/8" supplied adjustable to hold 40 AWG to 5.5 mm (0.22") OD.

Grommets included, For grommet options visit us online.

Contact washers.

All screws are combination head.

SMPW-CC-K-M shown larger than actual size.

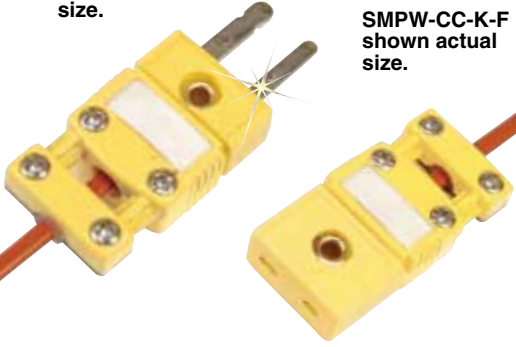
Actual size.

SMPW-CC-K-F shown larger than actual size.

Side Load Equal to Stainless Steel

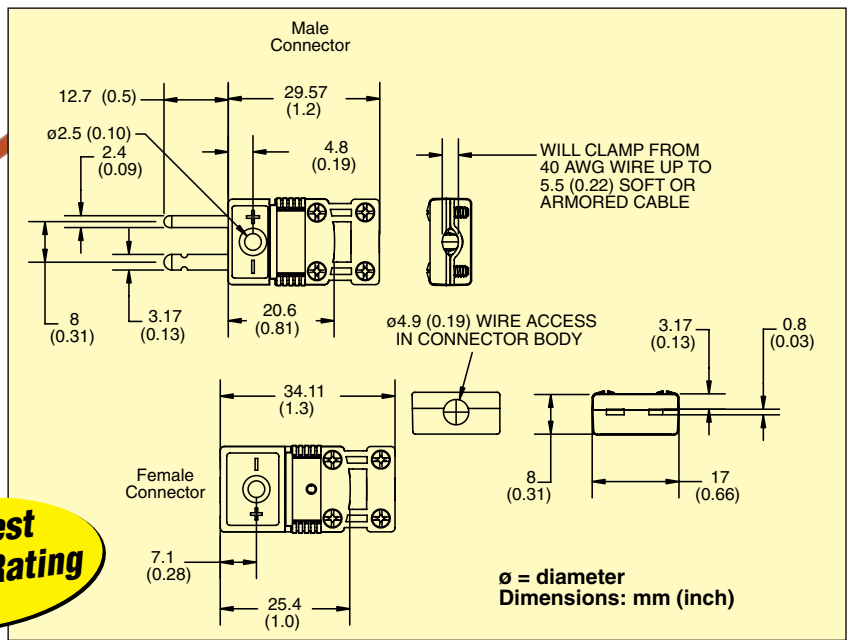
SMPW-CC-K-M shown actual size.

SMPW-CC-K-F shown actual size.



Discount Schedule	
1-10	Net
11-49	5%
50-99	10%
100-999	15%
1000-4999	20%
5000 and over.....	25%

Pull Test Highest Rating



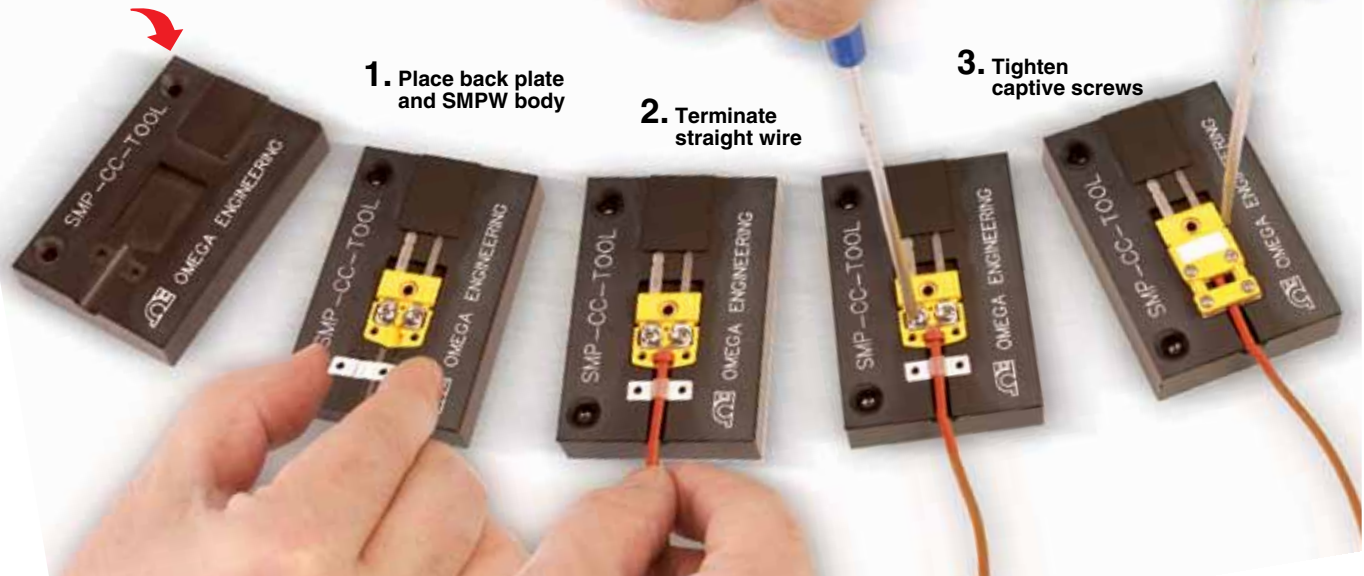
To Order

Alloy Code	Compensating Alloy Used in Connector		ANSI Color Code	Glass-Filled Nylon Model Number	
	(+)	(-)		Male	Female
K	CHROME Ω	ALOME Ω	Yellow	SMPW-CC-K-M	SMPW-CC-K-F
T	Copper	Constantan	Blue	SMPW-CC-T-M	SMPW-CC-T-F
J	Iron	Constantan	Black	SMPW-CC-J-M	SMPW-CC-J-F
E	CHROME Ω	Constantan	Purple	SMPW-CC-E-M	SMPW-CC-E-F
R/S	Copper	RNX/SNX	Green	SMPW-CC-R/S-M	SMPW-CC-R/S-F
C	CPX	CNX	Red	SMPW-CC-C-M	SMPW-CC-C-F
U	Copper	Copper	White	SMPW-CC-U-M	SMPW-CC-U-F
N	OMEGA-P Ω	OMEGA-N Ω	Orange	SMPW-CC-N-M	SMPW-CC-N-F

Ordering Example: SMPW-CC-K-M clamp cap, Type K, flat pin male.

Quick Assembly Tool!

SMP-CC-TOOL shown smaller than actual size.



X-ON Electronics

Largest Supplier of Electrical and Electronic Components

Click to view similar products for [Omega manufacturer](#):

Other Similar products are found below :

[NHX-U-M](#) [PX309-2KG5V](#) [PX319-200GI](#) [88007K](#) [88309K](#) [ON-403-PP](#) [P-L-1/10-1/8-6-0-T-3](#) [LC201-50](#) [OTP-U-F](#) [W5W26-010-ROHS](#)
[HMPW-TI-M-ROHS](#) [M12-J-S-F-FM](#) [LCWD-20K](#) [RTD-850M](#) [OS137A-2-K-100FT](#) [PX3005-005AI](#) [LVU712-B](#) [CN616A](#) [STD-HL](#)
[OS36SM-APJ](#) [OS36SM-MR](#) [LCM302-200N](#) [OSTW-CC-K-M](#) [OSTW-J-F](#) [SMPW-E-M](#) [SMPW-U-M](#) [KHXL-18G-RSC-12](#) [PX309-500G5V](#)
[PX319-015GI](#) [PX359-150GI](#) [PX409-015CGUSBH](#) [PX409-5.0KGUSBH](#) [SA1-RTD-4W-120](#) [88221K-RE](#) [88402K](#) [LVC-E51](#) [RSC-K-1-4-4](#)
[TECK25-9](#) [DP32PT-330](#) [RTD-2-F3105-36-G](#) [LCKD-10](#) [LC201-25](#) [DPI16-DC](#) [PX3005-005GI](#) [PX633-CLAMP](#) [PX633-M20](#) [PX633-](#)
[WEIGHT](#) [OM-CP-MICROTEMP](#) [OS100-MB](#) [SHX-J-F](#)