

Small, Lightweight Enclosed Switches

- V-series Switches were placed in diecast cases to provide superior dust resistance and mechanical strength.
- Cam arms and cam roller arms can be set to any position within 360°



Be sure to read *Safety Precautions* on page 4 and *Precautions for All Limit Switches*.

Model Number Legend

Model Number Structure (Some combinations may not be available. Contact your OMRON sales representative for details.)

□VE-10□-□-□
 1 2 3 4

1. Number of Built-in Switches

1: 1

2. Actuator Type

N: Sealed plunger
 CA: Cam arm
 CA2: Cam roller arm

3. Operation Direction (for Arm Actuators Only)

Blank: Plunger
 11: ↺ Counterclockwise operation (one-side operation)
 12: ↻ Clockwise operation (one-side operation)
 13: ↻↺ Operation in both directions (two-side operation)

4. Bushing Type

Blank: Rubber bushing for single-core vinyl cables
 C: Rubber bushing for vinyl cable

Note: For details, refer to *Safety Precautions* on page 4.

Ordering Information

Actuator type	Operating direction	One built-in switch
		Model
Sealed plunger 	—	1VE-10N
Cam arm 	↺ Counterclockwise operation	1VE-10CA-11
	↻ Clockwise operation	1VE-10CA-12
	↻↺ Two-side operation	1VE-10CA-13
Cam roller arm 	↺ Counterclockwise operation	1VE-10CA2-11
	↻ Clockwise operation	1VE-10CA2-12
	↻↺ Two-side operation	1VE-10CA2-13

Ratings and Specifications

Ratings

Rated voltage (V)	Non-inductive load (A)				Inductive load (A)			
	Resistive load		Lamp load		Inductive load		Motor load	
	NC	NO	NC	NO	NC	NO	NC	NO
125 AC	10		2		10		3	
250	10		1.5		10		2	
8 DC	10		2		6		6	
14	10		3		6		6	
30	6		3		4		4	
125	0.6		0.1		0.6		0.1	
250	0.3		0.05		0.3		0.05	

Inrush current	NC	24 A max.
	NO	24 A max.

- Note:**
- The above values are continuous currents.
 - Inductive loads have a power factor of 0.4 or higher (AC) or a time constant of 7 ms or lower (DC).
 - Lamp loads have an inrush current of 10 times the steady-state current.
 - Motor loads have an inrush current of 6 times the steady-state current.

Characteristics

Degree of protection	IP60	
Durability*	Mechanical	1,500,000 operations min.
	Electrical	300,000 operations min. (10 A at 250 VAC, resistive load)
Operating speed	Sealed plunger: 0.1 mm/s to 0.5 m/s Cam arm: 0.5 mm/s to 0.5 m/s Cam roller arm: 0.5 mm/s to 0.5 m/s	
Allowable operating frequency	Mechanical	120 operations/min.
	Electrical	60 operations/min.
Rated frequency	50/60 Hz	
Insulation resistance	100 MΩ min. (at 500 VDC)	
Contact resistance	15 mΩ max. (initial value)	
Dielectric strength	Between terminals of the same polarity	1,000 VAC at 50/60 Hz for 1 minute
	Between each terminal and non-current-carrying parts	1,500 VAC, 50/60 Hz for 1 minute
Vibration resistance	Malfunction: 10 to 55 Hz, 1.5-mm double amplitude	
Shock resistance	Destruction: 1,000 m/s ² max., Malfunction: 300 m/s ² max.	
Ambient operating temperature	-10°C to 80°C (with no icing)	
Ambient operating humidity	35% to 95%	
Weight	Approx. 120 to 170 g	

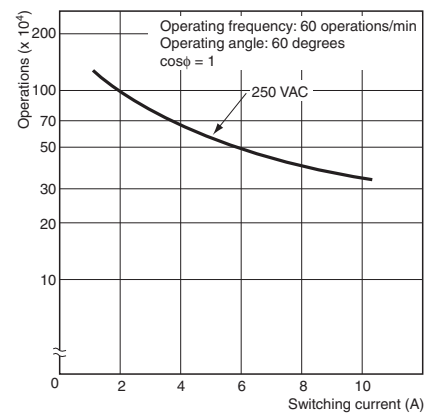
Note: The above values are initial values.

* The values are calculated at an operating temperature of 5°C to 35°C and an operating humidity of 40% to 70%.

Contact your OMRON sales representative for more detailed information on other operating environments.

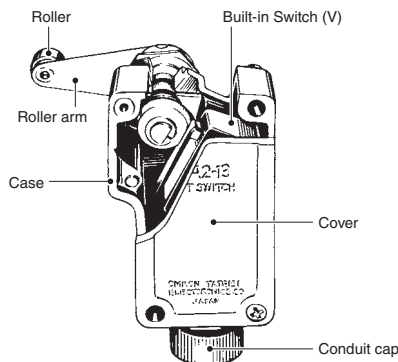
Engineering Data

Switch with Cam Roller Arm Electrical Durability Graph

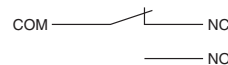


Nomenclature

Structure



Contact Form

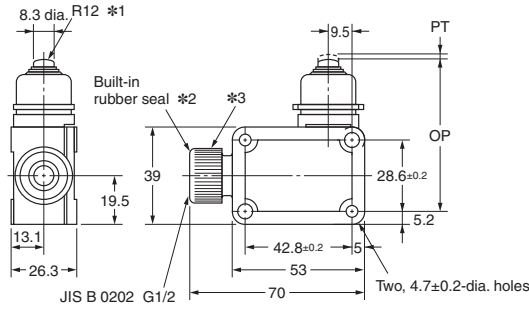
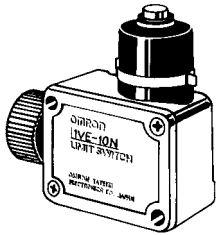


Dimensions/Operating Characteristics The □ in the model numbers is replaced by the operation direction code.

Refer to *Model Number Legend* on page 1 for details.

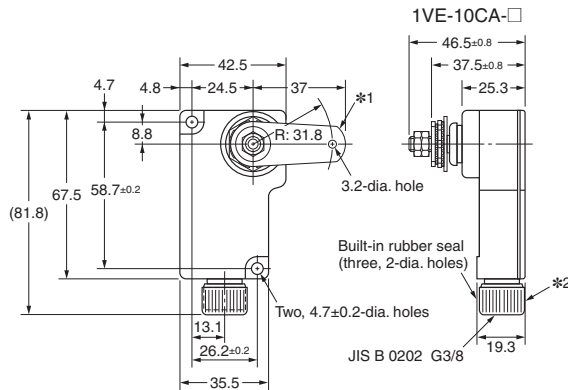
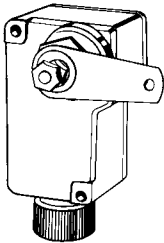
(Unit: mm)

Sealed Plunger 1VE-10N



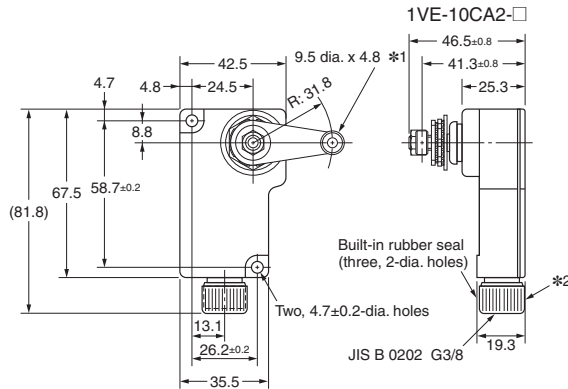
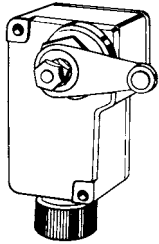
- *1. Stainless steel plunger.
- *2. Three, 2-dia. holes (1VE-10N).
- *3. Conduit cap.

Cam Arm 1VE-10CA-□



- *1. The stainless steel arm can be set to any position within 360°.
- *2. Conduit cap.

Cam Roller Arms 1VE-10CA2-□



- *1. The stainless steel roller arm can be set to any position within 360°.
- *2. Conduit cap.

Note: Unless otherwise specified, a tolerance of ±0.4 mm applies to all dimensions.

Operating characteristic	Model	1VE-10N	1VE-10CA-□	1VE-10CA2-□
Operating force	OF max.	22.26N	6.69N	6.69N
Release force	RF min.	2.23N	1.12N	1.12N
Pretravel	PT max.	2mm	30°	30°
Overtravel	OT min.	6.3mm	55°	55°
Movement differential	MD max.	0.8mm	10°	10°
Operating position	OP	61.1±0.8mm	---	---

Safety Precautions

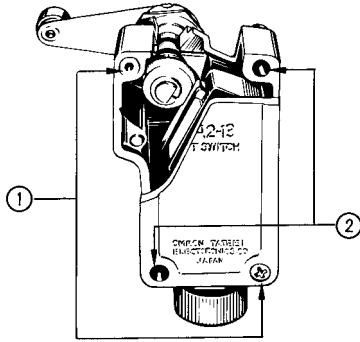
Refer to *Precautions for All Limit Switches* for general precautions.

Precautions for Correct Use

Tightening Torque

If screws are too loose, they can lead to an early malfunction of the Switch, so ensure that all screws are tightened using the correct torque.

No.	Type	Tightening torque
①	Cover mounting screws	0.49 to 0.59 N·m
②	Body clamping screws	1.18 to 1.37 N·m



Mounting Hole Dimensions

1VE-10CA-□ 1VE-10CA2-□	1VE-10N

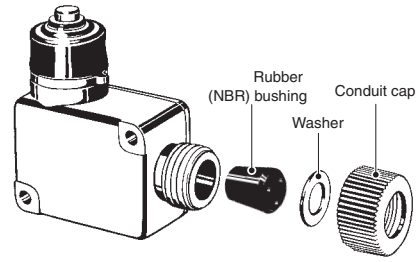
Operation

- The operating method, shape of cam or dog, operating frequency, and overtravel have a significant effect on the durability and precision of the Switch. Make sure that the shape of the cam is smooth enough.
- Check that OT has a sufficient margin. Set the overtravel to between 70% and 100% of the specified overtravel.
- Do not change the operating position by remodeling the actuator.

Wiring

- When routing wires into the conduit opening, be sure that cuttings and other foreign matter do not enter the Switch.
- Sealing materials may deteriorate when used outdoors or when exposed to cutting oil, solvents, or chemicals. Check this on actual equipment and, if deterioration is foreseen, consult your OMRON representative in advance.
- Refer to the following table for the cable connection method.

Conduit Part: 1VE-10N



Cable type Item	Single-core, vinyl cables	Vinyl cabtire cable
Cable outlet		
Accessories for Cable Connection	Rubber bushing, conduit cap, and washer	Rubber bushing, conduit cap, and washer
Connected cable specifications and dimensions	JIS C 3306 Finished OD: 2.6 to 3.4 mm	JIS C 3306 Finished OD: 6.6 to 7.6 mm
Resistance to water drops	High: The conduit cap can be tightened securely when connecting the cables without gaps resulting from twisting or other causes.	Good: Sealing is achieved by using a cable with diameter that is the same as or slightly larger than the inner diameter of the rubber bushing.

Note: The accessories for the single-core vinyl cables are included as standard features. Ask your OMRON representative for details on vinyl cabtire cables (models that contain -C at the end).

* Bushing Types

Model	1VE-10N	1VE-10CA-□ 1VE-10CA2-□	Remarks
Type			
For single-core, vinyl cables			Standard product There is no -C at the end of the model number.
For vinyl cabtire cable			There is a -C at the end of the model number.

Terms and Conditions Agreement

Read and understand this catalog.

Please read and understand this catalog before purchasing the products. Please consult your OMRON representative if you have any questions or comments.

Warranties.

(a) Exclusive Warranty. Omron's exclusive warranty is that the Products will be free from defects in materials and workmanship for a period of twelve months from the date of sale by Omron (or such other period expressed in writing by Omron). Omron disclaims all other warranties, express or implied.

(b) Limitations. OMRON MAKES NO WARRANTY OR REPRESENTATION, EXPRESS OR IMPLIED, ABOUT NON-INFRINGEMENT, MERCHANTABILITY OR FITNESS FOR A PARTICULAR PURPOSE OF THE PRODUCTS. BUYER ACKNOWLEDGES THAT IT ALONE HAS DETERMINED THAT THE PRODUCTS WILL SUITABLY MEET THE REQUIREMENTS OF THEIR INTENDED USE.

Omron further disclaims all warranties and responsibility of any type for claims or expenses based on infringement by the Products or otherwise of any intellectual property right. (c) Buyer Remedy. Omron's sole obligation hereunder shall be, at Omron's election, to (i) replace (in the form originally shipped with Buyer responsible for labor charges for removal or replacement thereof) the non-complying Product, (ii) repair the non-complying Product, or (iii) repay or credit Buyer an amount equal to the purchase price of the non-complying Product; provided that in no event shall Omron be responsible for warranty, repair, indemnity or any other claims or expenses regarding the Products unless Omron's analysis confirms that the Products were properly handled, stored, installed and maintained and not subject to contamination, abuse, misuse or inappropriate modification. Return of any Products by Buyer must be approved in writing by Omron before shipment. Omron Companies shall not be liable for the suitability or unsuitability or the results from the use of Products in combination with any electrical or electronic components, circuits, system assemblies or any other materials or substances or environments. Any advice, recommendations or information given orally or in writing, are not to be construed as an amendment or addition to the above warranty.

See <http://www.omron.com/global/> or contact your Omron representative for published information.

Limitation on Liability; Etc.

OMRON COMPANIES SHALL NOT BE LIABLE FOR SPECIAL, INDIRECT, INCIDENTAL, OR CONSEQUENTIAL DAMAGES, LOSS OF PROFITS OR PRODUCTION OR COMMERCIAL LOSS IN ANY WAY CONNECTED WITH THE PRODUCTS, WHETHER SUCH CLAIM IS BASED IN CONTRACT, WARRANTY, NEGLIGENCE OR STRICT LIABILITY.

Further, in no event shall liability of Omron Companies exceed the individual price of the Product on which liability is asserted.

Suitability of Use.

Omron Companies shall not be responsible for conformity with any standards, codes or regulations which apply to the combination of the Product in the Buyer's application or use of the Product. At Buyer's request, Omron will provide applicable third party certification documents identifying ratings and limitations of use which apply to the Product. This information by itself is not sufficient for a complete determination of the suitability of the Product in combination with the end product, machine, system, or other application or use. Buyer shall be solely responsible for determining appropriateness of the particular Product with respect to Buyer's application, product or system. Buyer shall take application responsibility in all cases.

NEVER USE THE PRODUCT FOR AN APPLICATION INVOLVING SERIOUS RISK TO LIFE OR PROPERTY OR IN LARGE QUANTITIES WITHOUT ENSURING THAT THE SYSTEM AS A WHOLE HAS BEEN DESIGNED TO ADDRESS THE RISKS, AND THAT THE OMRON PRODUCT(S) IS PROPERLY RATED AND INSTALLED FOR THE INTENDED USE WITHIN THE OVERALL EQUIPMENT OR SYSTEM.

Programmable Products.

Omron Companies shall not be responsible for the user's programming of a programmable Product, or any consequence thereof.

Performance Data.

Data presented in Omron Company websites, catalogs and other materials is provided as a guide for the user in determining suitability and does not constitute a warranty. It may represent the result of Omron's test conditions, and the user must correlate it to actual application requirements. Actual performance is subject to the Omron's Warranty and Limitations of Liability.

Change in Specifications.

Product specifications and accessories may be changed at any time based on improvements and other reasons. It is our practice to change part numbers when published ratings or features are changed, or when significant construction changes are made. However, some specifications of the Product may be changed without any notice. When in doubt, special part numbers may be assigned to fix or establish key specifications for your application. Please consult with your Omron's representative at any time to confirm actual specifications of purchased Product.

Errors and Omissions.

Information presented by Omron Companies has been checked and is believed to be accurate; however, no responsibility is assumed for clerical, typographical or proofreading errors or omissions.

2016.7

In the interest of product improvement, specifications are subject to change without notice.

OMRON Corporation
Industrial Automation Company

<http://www.ia.omron.com/>

(c)Copyright OMRON Corporation 2016 All Right Reserved.

X-ON Electronics

Largest Supplier of Electrical and Electronic Components

Click to view similar products for [Limit Switches](#) category:

Click to view products by [Omron](#) manufacturer:

Other Similar products are found below :

[5ML1-E1](#) [5ML31](#) [LZG1](#) [LZL1-6C](#) [622EN114-R](#) [622EN18-6](#) [622EN224-6B](#) [622EN230](#) [622EN237-R](#) [622EN69-3](#) [622EN85-RB](#) [MA-10019](#)
[6PA109](#) [7LS51](#) [83547001](#) [83725002](#) [83830001](#) [83840701](#) [83841001](#) [83881140](#) [8AS42](#) [8LS10](#) [8LS125-4PG](#) [8LS152-4PGN20](#) [914CE16-](#)
[3A](#) [914CE3-3L1](#) [915PA10](#) [91MCE16-P2O](#) [924CE16-Y3](#) [924CE1-S6](#) [924CE1-T25A](#) [924CE1-T3](#) [924CE1-T9A](#) [924CE2-T9](#) [924CE31-Y20-](#)
[X5](#) [924CE31-Y3L1](#) [GL-10054](#) [GLAB26J2B](#) [GLDB03C-6](#) [GLDC05C](#) [GLZ324](#) [H3141CAKAA](#) [RDI-G-L5B](#) [DD-10000](#) [DT-2R3-A7](#)
[14CE16-3N28](#) [14CE18-N15](#) [151ML3-E1](#) [E3102BAAAA](#) [BFL1-AW1-S](#)