

Multi-function Compact Inverter

## MX2-Series V1 type

Born to drive machines



- » Permanent magnet motors
- » EtherCAT®
- » Built-in safety

# Harmonised motor and machine control

## **MOTOR CONTROL**

### **200% starting torque**

- Near stand-still operation (0.5 Hz)
- Smooth control of high inertia loads
- Control of fast cyclic loads

### **Torque control in open loop**

- Ideal for low to medium torque applications
- Can replace a flux vector or servo drive in suitable systems

### **Motor control**

- Surface Permanent Magnet Motor
- Interior Permanent Magnet Motor
- Induction Motor

### **One parameter auto-tuning**

- Just by entering the kW rating of the motor the MX2-V1 gives you smooth and safe operation



## MACHINE CONTROL

### Safety inside

- Conforms to safety norm ISO 13849-1 Cat. 3 performance level PLd
- 2 Safety inputs
- External device monitoring (EDM)

### Drive Programming

- Flow chart programming
- Text editor
- Intuitive - up to 5 tasks in parallel

### Positioning

- Up to 8 pre-set positions with "Homing"
- Speed synchronisation

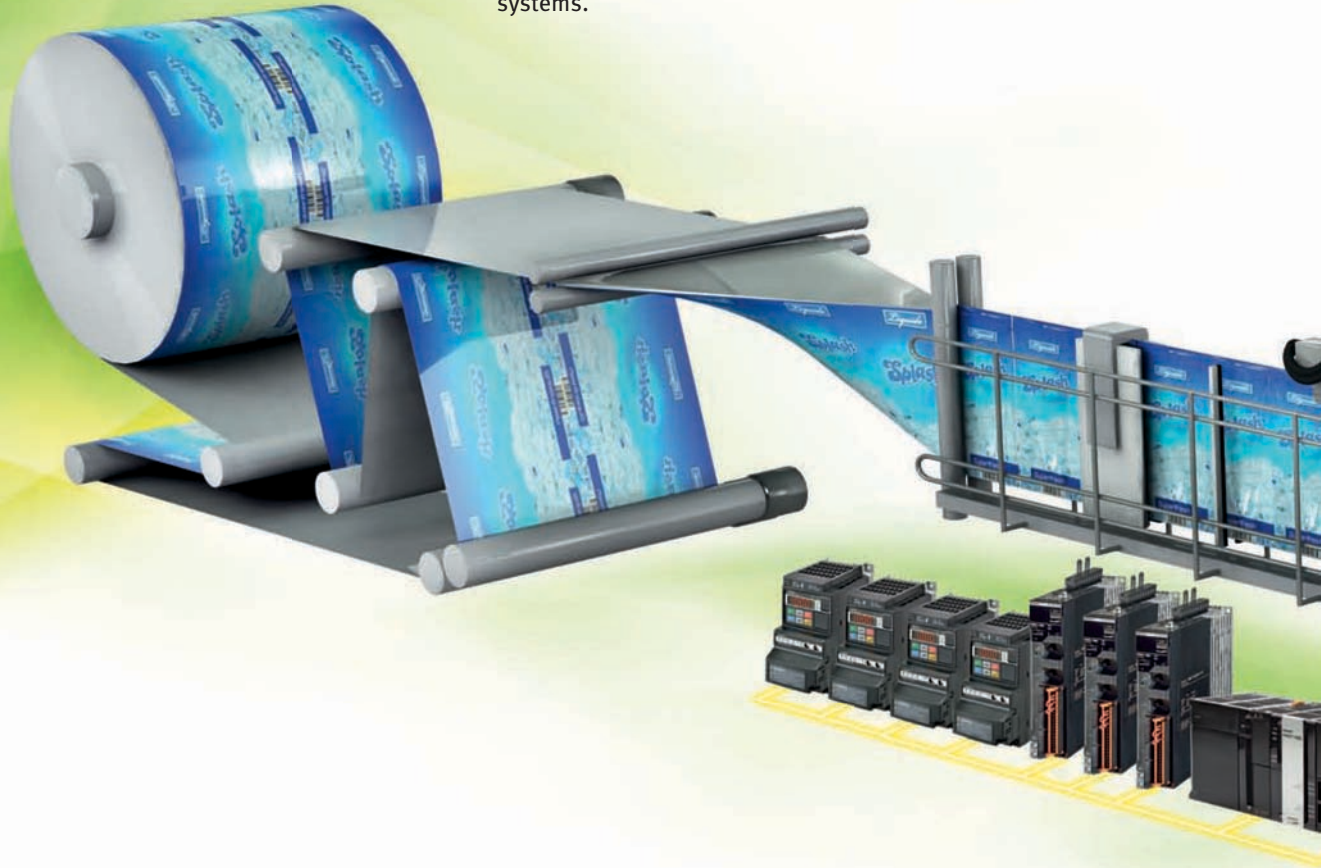
### Network Integration

- Modbus RS485 built-in
- Option units for EtherCAT, CompoNet, DeviceNet

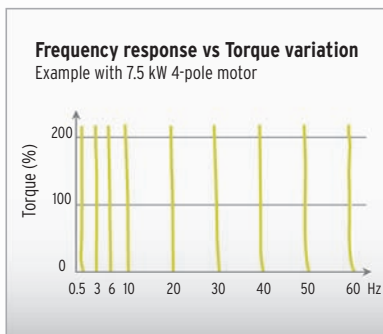
**危険** 一ツが、感電のおそれがあります。  
**WARNING** - Risk of electric shock.  
• 取付け、運転の前には必ず取扱説明書をお読み下さい。  
• 運転中及び電源切断後10分以内はフロントカバーを外さないで下さい。  
• Read manual before installing.  
• Wait 10 minutes for capacitor discharge after disconnecting power supply.

# Amazing in Control

High starting torque and torque control capability in open loop mode give you full control of your machine dynamics and performance. Options for all of the major open network systems.



## Torque master



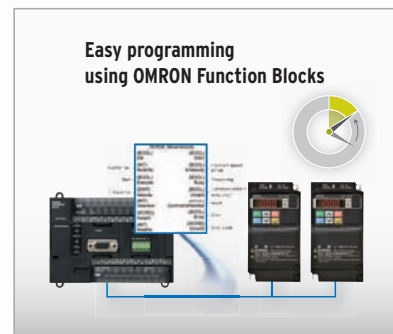
The MX2-V1 delivers 200% starting torque near stand-still (0.5 Hz) and can operate in torque control in open loop mode. This allows the MX2-V1 to be used in applications where closed loop AC vector drives were previously used.

## Easy network integration



Standard industrial networks, such as EtherCAT, CompoNet or DeviceNet as options. High-speed EtherCAT provides solutions for the entire system from input to output with Sysmac Series.

## Easy communications setting



Built-in RS-485 Modbus communications. OMRON Function Blocks are available for the CP H/L and CJ-series PLCs. Those control the MX2-V1 via Modbus communications easily.

# Safety in Control

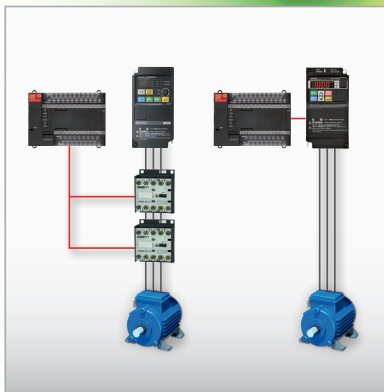
Safety is embedded in the MX2-V1, according to ISO 13849-1, Cat. 3, with two safety inputs and an External Device Monitoring (EDM) output.

No external contactors on the motor side are required, meaning simpler wiring for the user.



**Safety embedded;  
ISO 13849-1, Cat. 3**

**MOTOR CONTROL  
Permanent magnet motors**



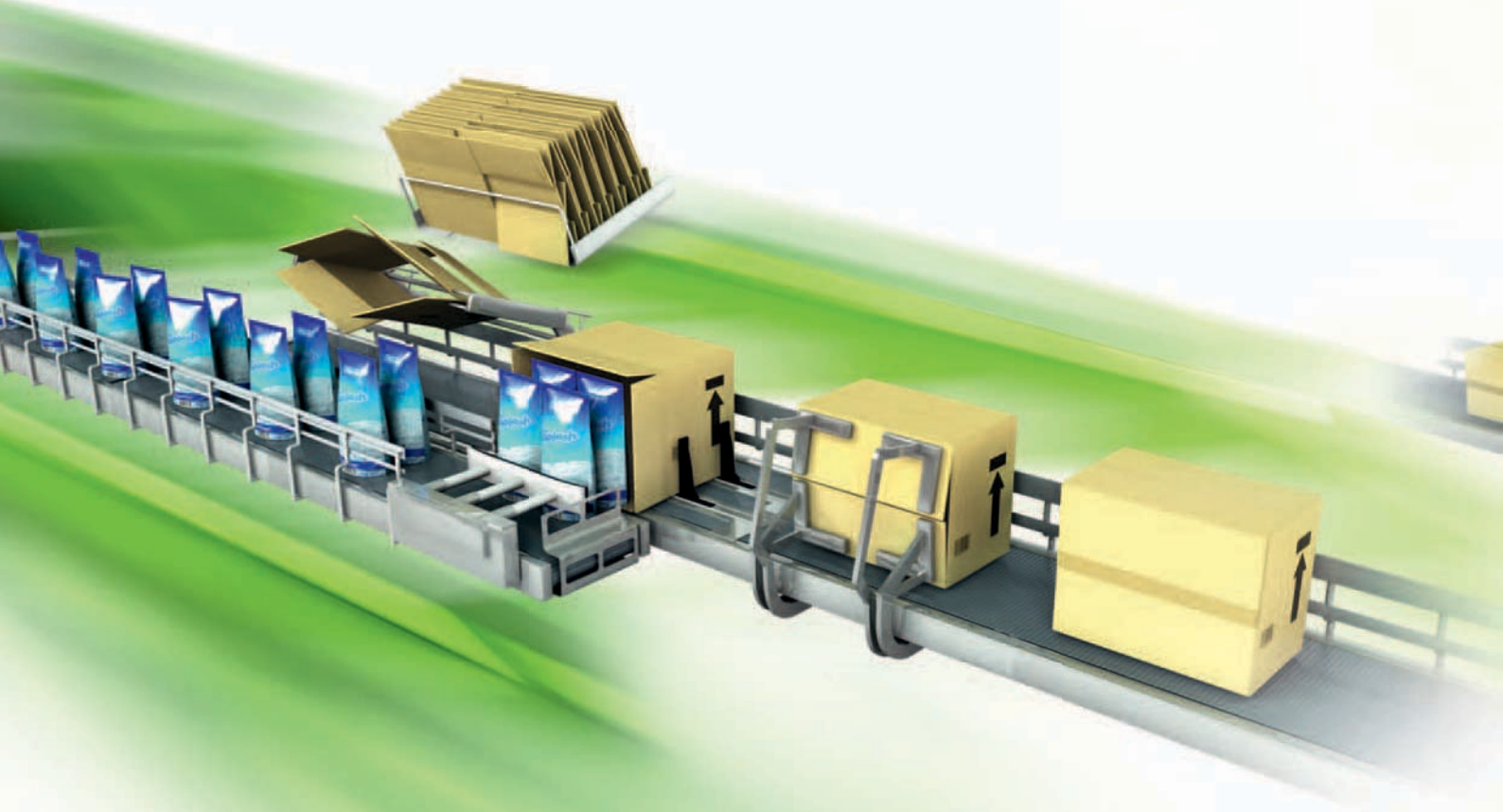
Dual contactors at the output of the inverter are no longer required. Direct connection to a safety controller ensures compliance to ISO 13849-1 Cat.3 PLd. Safety function: IEC 61800-5-2 "Safe Torque Off (STO)"



The PM motor conforming to high-efficiency regulations can be controlled. The PM motor promotes further energy saving and achieves earth-friendly machine control.

# Position and run!

The MX2-V1 is a drive and position controller in one, ideal for modular machines where moderate positional accuracy is required. Speed synchronisation is also possible, with no additional programming required.



## Speed synchronisation



With no external hardware required, and via standard parameter settings, speed synchronisation can be achieved. The MX2-V1 will act as a speed follower to an external pulse generator/encoder signal up to 32 KHz.

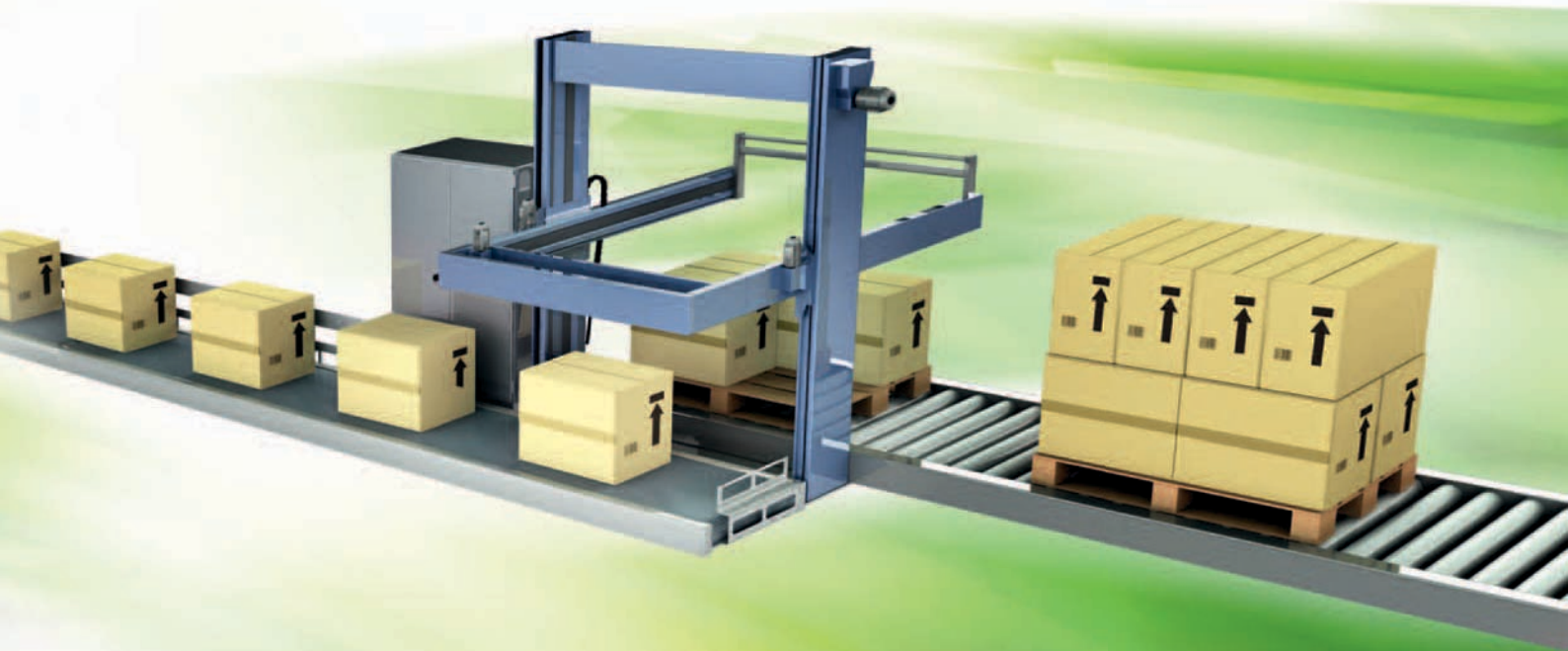
## Positioning functionality



Specially developed application functionality enables the MX2-V1 to solve simple positioning tasks without the need for an external controller. Up to 8 positions, plus home, can be selected by the user, and furthermore, the MX2-V1 can be switched between speed and position mode.

# Program and play!

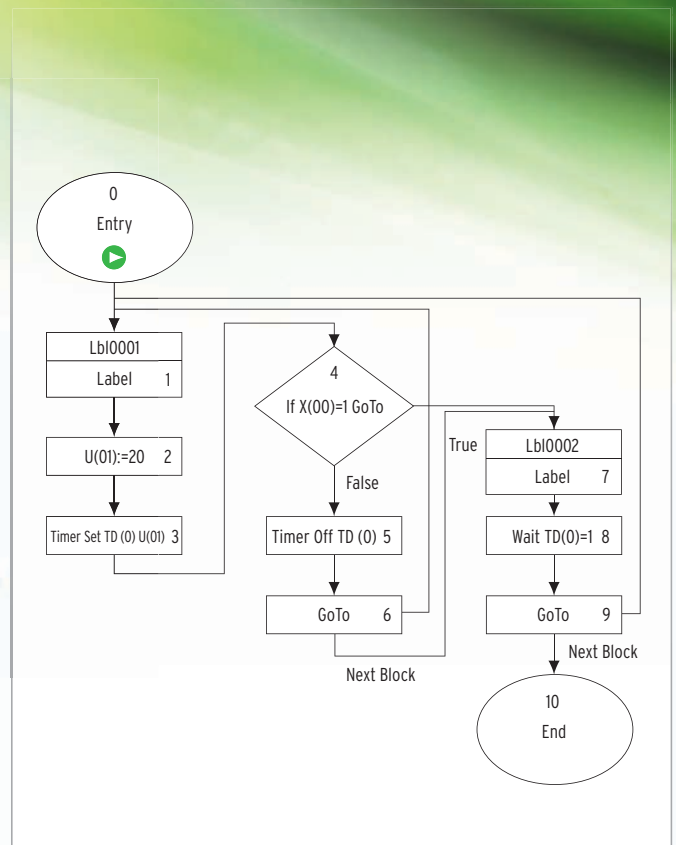
The MX2-V1 gives you the power to create smart solutions using PLC functionality, as standard. Via an intuitive flow chart programming tool, you can create programs with up to 1000 lines of code and with 5 tasks running in parallel.



## Free to program



- Intuitive and user friendly flow chart programming
- Integrated in CX-Drive
- Up to 1000 lines in a program
- 5 tasks can run in parallel  
(CX-Drive version 2.80 or higher is required.)



## Multi-function Compact Inverter

# MX2-Series V1 type

### Born to drive machines

- Positioning functionality.
- Fieldbus communications with optional unit  
EtherCAT, CompoNet and DeviceNet
- Drive Programming.
- Current vector Control.
- High Starting torque: 200% at 0.5 Hz.
- Safety function \* EN ISO13849-1 Cat.3 PLd  
IEC 61800-5-2 "Safe Torque Off (STO)"
- Speed range up to 580 Hz.

\* When optional DeviceNet communication unit or CompoNet communication unit is mounted onto the MX2-series V1 type, the inverter will not conform to the safety standards.



### Performance Specifications

#### Inverter MX2-series V1 type

##### 3-phase 200 V Class

| Function name   |                                 |    | 3-phase 200 V   |          |          |           |          |           |           |          |           |           |          |
|---|---------------------------------|----|---|----------|----------|-----------|----------|-----------|-----------|----------|-----------|-----------|----------|
| Model name (3G3MX2-)  |                                 |    | A2001-V1  | A2002-V1 | A2004-V1 | A2007-V1  | A2015-V1 | A2022-V1  | A2037-V1  | A2055-V1 | A2075-V1  | A2110-V1  | A2150-V1 |
| Applicable motor capacity   | kW                              | CT | 0.1   | 0.2      | 0.4      | 0.75      | 1.5      | 2.2       | 3.7       | 5.5      | 7.5       | 11        | 15       |
|   |                                 | VT | 0.2   | 0.4      | 0.75     | 1.1       | 2.2      | 3.0       | 5.5       | 7.5      | 11        | 15        | 18.5     |
|   | HP                              | CT | 1/8   | 1/4      | 1/2      | 1         | 2        | 3         | 5         | 7 1/2    | 10        | 15        | 20       |
|   |                                 | VT | 1/4   | 1/2      | 1        | 1 1/2     | 3        | 4         | 7 1/2     | 10       | 15        | 20        | 25       |
| Rated output capacity [kVA]   | 200 V                           | CT | 0.2   | 0.5      | 1.0      | 1.7       | 2.7      | 3.8       | 6.0       | 8.6      | 11.4      | 16.2      | 20.7     |
|   |                                 | VT | 0.4   | 0.6      | 1.2      | 2.0       | 3.3      | 4.1       | 6.7       | 10.3     | 13.8      | 19.3      | 23.9     |
|   | 240 V                           | CT | 0.3   | 0.6      | 1.2      | 2.0       | 3.3      | 4.5       | 7.2       | 10.3     | 13.7      | 19.5      | 24.9     |
|   |                                 | VT | 0.4   | 0.7      | 1.4      | 2.4       | 3.9      | 4.9       | 8.1       | 12.4     | 16.6      | 23.2      | 28.6     |
| Rated input voltage   |                                 |    | 3-phase 200 V - 15% to 240 V + 10%, 50/60 Hz ± 5%                     |          |          |           |          |           |           |          |           |           |          |
| Rated input current [A]   | CT                              |    | 1.0   | 1.6      | 3.3      | 6.0       | 9.0      | 12.7      | 20.5      | 30.8     | 39.6      | 57.1      | 62.6     |
|   | VT                              |    | 1.2   | 1.9      | 3.9      | 7.2       | 10.8     | 13.9      | 23.0      | 37.0     | 48.0      | 68.0      | 72.0     |
| Rated output voltage  |                                 |    | 3-phase 200 to 240 V (The output cannot exceed the incoming voltage). |          |          |           |          |           |           |          |           |           |          |
| Rated output current [A]  | CT                              |    | 1.0   | 1.6      | 3.0      | 5.0       | 8.0      | 11.0      | 17.5      | 25.0     | 33.0      | 47.0      | 60.0     |
|   | VT                              |    | 1.2   | 1.9      | 3.5      | 6.0       | 9.6      | 12.0      | 19.6      | 30.0     | 40.0      | 56.0      | 69.0     |
| Short-time deceleration braking torque (%) (Discharge Resistor not connected) |                                 |    | 50  | 50       | 50       | 50        | 50       | 20        | 20        | 20       | 20        | 10        | 10       |
| Braking Resistor circuit *  | Regenerative braking            |    | Built-in Braking Resistor circuit (separate Discharge Resistor)       |          |          |           |          |           |           |          |           |           |          |
|   | Min. connectable resistance [Ω] |    | 100   | 100      | 100      | 50        | 50       | 35        | 35        | 20       | 17        | 17        | 10       |
| Weight [kg]   |                                 |    | 1.0   | 1.0      | 1.1      | 1.2       | 1.6      | 1.8       | 2.0       | 3.3      | 3.4       | 5.1       | 7.4      |
| Dimensions (width × height) [mm]  |                                 |    | 68 × 128  |          |          | 108 × 128 |          | 140 × 128 | 140 × 260 |          | 180 × 296 | 220 × 350 |          |
| Dimensions (depth) [mm]   |                                 |    | 109   |          | 122.5    | 145.5     | 170.5    |           | 170.5     | 155      |           | 175       |          |

\* The BRD usage is 10%.



3-phase 400 V Class

| Function name   |                                 |    | 3-phase 400 V   |          |          |          |           |           |          |          |           |          |
|---|---------------------------------|----|---|----------|----------|----------|-----------|-----------|----------|----------|-----------|----------|
| Model name (3G3MX2-)  |                                 |    | A4004-V1  | A4007-V1 | A4015-V1 | A4022-V1 | A4030-V1  | A4040-V1  | A4055-V1 | A4075-V1 | A4110-V1  | A4150-V1 |
| Applicable motor capacity   | kW                              | CT | 0.4   | 0.75     | 1.5      | 2.2      | 3.0       | 4.0       | 5.5      | 7.5      | 11        | 15       |
|   |                                 | VT | 0.75  | 1.5      | 2.2      | 3.0      | 4.0       | 5.5       | 7.5      | 11       | 15        | 18.5     |
|   | HP                              | CT | 1/2   | 1        | 2        | 3        | 4         | 5         | 7 1/2    | 10       | 15        | 20       |
|   |                                 | VT | 1   | 2        | 3        | 4        | 5         | 7 1/2     | 10       | 15       | 20        | 25       |
| Rated output capacity [kVA]   | 380 V                           | CT | 1.1   | 2.2      | 3.1      | 3.6      | 4.7       | 6.0       | 9.7      | 11.8     | 15.7      | 20.4     |
|   |                                 | VT | 1.3   | 2.6      | 3.5      | 4.5      | 5.7       | 7.3       | 11.5     | 15.1     | 20.4      | 25.0     |
|   | 480 V                           | CT | 1.4   | 2.8      | 3.9      | 4.5      | 5.9       | 7.6       | 12.3     | 14.9     | 19.9      | 25.7     |
|   |                                 | VT | 1.7   | 3.4      | 4.4      | 5.7      | 7.3       | 9.2       | 14.5     | 19.1     | 25.7      | 31.5     |
| Rated input voltage   |                                 |    | 3-phase 380 V - 15% to 480 V + 10%, 50/60 Hz ± 5%                     |          |          |          |           |           |          |          |           |          |
| Rated input current [A]   | CT                              |    | 1.8   | 3.6      | 5.2      | 6.5      | 7.7       | 11.0      | 16.9     | 18.8     | 29.4      | 35.9     |
|   | VT                              |    | 2.1   | 4.3      | 5.9      | 8.1      | 9.4       | 13.3      | 20.0     | 24.0     | 38.0      | 44.0     |
| Rated output voltage  |                                 |    | 3-phase 380 to 480 V (The output cannot exceed the incoming voltage). |          |          |          |           |           |          |          |           |          |
| Rated output current [A]  | CT                              |    | 1.8   | 3.4      | 4.8      | 5.5      | 7.2       | 9.2       | 14.8     | 18.0     | 24.0      | 31.0     |
|   | VT                              |    | 2.1   | 4.1      | 5.4      | 6.9      | 8.8       | 11.1      | 17.5     | 23.0     | 31.0      | 38.0     |
| Short-time deceleration braking torque (%) (Discharge Resistor not connected) |                                 |    | 50  | 50       | 50       | 20       | 20        | 20        | 20       | 20       | 10        | 10       |
| Braking Resistor circuit *  | Regenerative braking            |    | Built-in Braking Resistor circuit (separate Discharge Resistor)       |          |          |          |           |           |          |          |           |          |
|   | Min. connectable resistance [Ω] |    | 180   | 180      | 180      | 100      | 100       | 100       | 70       | 70       | 70        | 35       |
| Weight [kg]   |                                 |    | 1.5   | 1.6      | 1.8      | 1.9      | 1.9       | 2.1       | 3.5      | 3.5      | 4.7       | 5.2      |
| Dimensions (width × height) [mm]  |                                 |    | 108 × 128   |          |          |          | 140 × 128 | 140 × 260 |          |          | 180 × 296 |          |
| Dimensions (depth) [mm]   |                                 |    | 143.5   | 170.5    |          |          | 170.5     | 155       |          | 175      |           |          |

\* The BRD usage is 10%.

1-phase 200 V Class

| Function name   |                                 |    | 1-phase 200 V   |          |          |           |          |          |
|---|---------------------------------|----|---|----------|----------|-----------|----------|----------|
| Model name (3G3MX2-)  |                                 |    | AB001-V1  | AB002-V1 | AB004-V1 | AB007-V1  | AB015-V1 | AB022-V1 |
| Applicable motor capacity   | kW                              | CT | 0.1   | 0.2      | 0.4      | 0.75      | 1.5      | 2.2      |
|   |                                 | VT | 0.2   | 0.4      | 0.55     | 1.1       | 2.2      | 3.0      |
|   | HP                              | CT | 1/8   | 1/4      | 1/2      | 1         | 2        | 3        |
|   |                                 | VT | 1/4   | 1/2      | 3/4      | 1 1/2     | 3        | 4        |
| Rated output capacity [kVA]   | 200 V                           | CT | 0.2   | 0.5      | 1.0      | 1.7       | 2.7      | 3.8      |
|   |                                 | VT | 0.4   | 0.6      | 1.2      | 2.0       | 3.3      | 4.1      |
|   | 240 V                           | CT | 0.3   | 0.6      | 1.2      | 2.0       | 3.3      | 4.5      |
|   |                                 | VT | 0.4   | 0.7      | 1.4      | 2.4       | 3.9      | 4.9      |
| Rated input voltage   |                                 |    | 1-phase 200 V - 15% to 240 V + 10%, 50/60 Hz ± 5%                     |          |          |           |          |          |
| Rated input current [A]   | CT                              |    | 1.3   | 3.0      | 6.3      | 11.5      | 16.8     | 22.0     |
|   | VT                              |    | 2.0   | 3.6      | 7.3      | 13.8      | 20.2     | 24.0     |
| Rated output voltage  |                                 |    | 3-phase 200 to 240 V (The output cannot exceed the incoming voltage). |          |          |           |          |          |
| Rated output current [A]  | CT                              |    | 1.0   | 1.6      | 3.0      | 5.0       | 8.0      | 11.0     |
|   | VT                              |    | 1.2   | 1.9      | 3.5      | 6.0       | 9.6      | 12.0     |
| Short-time deceleration braking torque (%) (Discharge Resistor not connected) |                                 |    | 50  | 50       | 50       | 50        | 50       | 20       |
| Braking Resistor circuit *  | Regenerative braking            |    | Built-in Braking Resistor circuit (separate Discharge Resistor)       |          |          |           |          |          |
|   | Min. connectable resistance [Ω] |    | 100   | 100      | 100      | 50        | 50       | 35       |
| Weight [kg]   |                                 |    | 1.0   | 1.0      | 1.1      | 1.6       | 1.8      | 1.8      |
| Dimensions (width × height) [mm]  |                                 |    | 68 × 128  |          |          | 108 × 128 |          |          |
| Dimensions (depth) [mm]   |                                 |    | 109   | 122.5    |          | 170.5     |          |          |

\* The BRD usage is 10%.

**Function Specifications**

| Function name         |                                      | Specifications  |
|-----------------------|--------------------------------------|---|
| Enclosure ratings *1  |                                      | Open type (IP20)  |
| Control               | Control method                       | Phase-to-phase sinusoidal modulation PWM  |
|                       | Output frequency range *2            | 0.10 to 400 Hz (or 580 Hz in the high-frequency mode; restrictions apply)   |
|                       | Frequency precision *3               | Digital command: $\pm 0.01\%$ of the max. frequency, Analog command: $\pm 0.2\%$ of the max. frequency ( $25 \pm 10^\circ\text{C}$ )  |
|                       | Frequency setting resolution         | Digital setting: 0.01 Hz, Analog setting: One-thousandth of the maximum frequency   |
|                       | Voltage/Frequency characteristics    | V/f characteristics (constant/reduced torque)<br>Sensorless vector control, V/f control with speed feedback   |
|                       | Overload current rating              | Heavy load rating (CT): 150%/60 s<br>Light load rating (VT): 120%/60 s  |
|                       | Instantaneous overcurrent protection | 200% of the value of heavy load rating (CT)   |
|                       | Acceleration/Deceleration time       | 0.01 to 3600 s (linear/curve selection), acceleration/deceleration 2 setting available  |
|                       | Carrier frequency adjustment range   | 2 to 15 kHz (with derating)   |
|                       | Starting torque                      | 200%/0.5 Hz (sensorless vector control)   |
|                       | External DC injection braking        | Starts at a frequency lower than that in deceleration via the STOP command, at a value set lower than that during operation, or via an external input. (Level and time settable).   |
| Protective functions  |                                      | Overcurrent, overvoltage, undervoltage, electronic thermal, temperature error, ground fault overcurrent at power-on status, rush current prevention circuit, overload limit, incoming overvoltage, external trip, memory error, CPU error, USP error, communication error, overvoltage suppression during deceleration, protection upon momentary power outage, emergency cutoff, etc.  |
| Input signal          | Frequency settings                   | Digital Operator<br>External analog input signal: 0 to 10 VDC/4 to 20 mA, Modbus communication (Modbus-RTU)   |
|                       | RUN/STOP command                     | Digital Operator<br>External digital input signal (3-wire input supported), Modbus communication (Modbus-RTU)   |
|                       | Multi-function input *4              | 7 points (Functions can be selected from among 68)  |
|                       | Analog input *5                      | 2 points (Voltage FV terminal: 10 bits/0 to 10 V, Current FI terminal: 10 bits/4 to 20 mA)  |
|                       | Pulse input                          | 1 point (RP terminal: 32 kHz max., 5 to 24 VDC)   |
| Output signal         | Multi-function output *4             | 2 points (P1 and P2, Functions can be selected from among 47)   |
|                       | Relay output *4                      | 1 point (SPDT contact (MC, MA, MB), Functions can be selected from among 47)  |
|                       | Analog output (Frequency monitor) *6 | 1 point (AM terminal: Voltage 10 bits/0 to 10 V) (Frequency, current selectable)  |
|                       | Pulse output                         | 1 point (MP terminal: 32 kHz max., 0 to 10 V)   |
| Communications        | RS-422                               | RJ45 connector (for Digital Operator)   |
|                       | RS-485                               | Control circuit terminal block, Modbus communication (Modbus-RTU)   |
|                       | USB                                  | USB1.1, mini-B connector  |
| Other functions       |                                      | AVR function, V/f characteristics switching, upper/lower limit, 16-step speeds, starting frequency adjustment, jogging operation, carrier frequency adjustment, PID control, frequency jump, analog gain/bias adjustment, S shape acceleration/deceleration, electronic thermal characteristics, level adjustment, restart function, torque boost function, fault monitor, soft lock function, frequency conversion display, USP function, motor 2 control function, UP/DWN, overcurrent control function, etc. |
| Operating environment | Ambient operating temperature *7     | -10 to 50°C (However, derating is required).  |
|                       | Ambient storage temperature          | -20°C to 65°C   |
|                       | Ambient operating humidity           | 20% to 90% RH (with no condensation)  |
|                       | Vibration resistance                 | 5.9 m/s <sup>2</sup> (0.6G), 10 to 55 Hz  |
|                       | Application environment              | At a maximum altitude of 1,000 m; indoors (without corrosive gases or dust)   |
| Options               | EtherCAT Communication Unit          | 3G3AX-MX2-ECT   |
|                       | CompoNet Communication Unit          | 3G3AX-MX2-CRT-E   |
|                       | DeviceNet Communication Unit         | 3G3AX-MX2-DRT-E   |

| Function name                 |                     | Specifications   |  |
|-------------------------------|---------------------|--|--|
| <b>Other option</b>           |                     | DC reactor, AC reactor, radio noise filter, input noise filter, output noise filter, regenerative braking unit, Braking Resistor, etc. |  |
| <b>International standard</b> | <b>EC directive</b> | <b>Machinery Directives</b>  | EN ISO 13849-1: 2008 Pld<br>EN 61800-5-2<br>EN 60204-1 |
|                               |                     | <b>EMC Directive</b>   | EN 61800-3: 2004                                       |
|                               |                     | <b>Low-voltage Directive</b>   | EN 61800-5-1: 2007                                     |
|                               | <b>UL/cUL</b>       | UL508C   |  |

\*1 Protection method complies with JEM 1030.

\*2 To operate the motor at over 50/60 Hz, contact the motor manufacturer to find out the maximum allowable speed of revolution.

\*3 For the stable control of the motor, the output frequency may exceed the maximum frequency set in A004 (A204) by 2 Hz max.

\*4 In the VT (light load) mode and the PM motor mode, the available functions are limited compared with the CV (heavy load) mode. For some parameters, the default data and setting range also differ.

\*5 By default, the maximum frequency is adjusted to 9.8 V for a voltage input of 0 to 10 VDC and to 19.8 mA for a current input of 4 to 20 mA, respectively. If necessary, adjust the default parameter settings.

\*6 The analog voltage and current values for the multi-function monitor output terminals show values that can only be used as a guide for analog meter connection. The maximum output value may differ from 10 V or 20 mA due to the variability of the analog output circuit. If necessary, adjust the default parameter settings.

\*7 Derating of the rated output current of the inverter may be required depending on the heavy/light load mode selection, operating ambient temperature, side-by-side installation, and carrier frequency setting. Use the inverter in an appropriate environment according to USER'S MANUAL (Cat.No.I585).

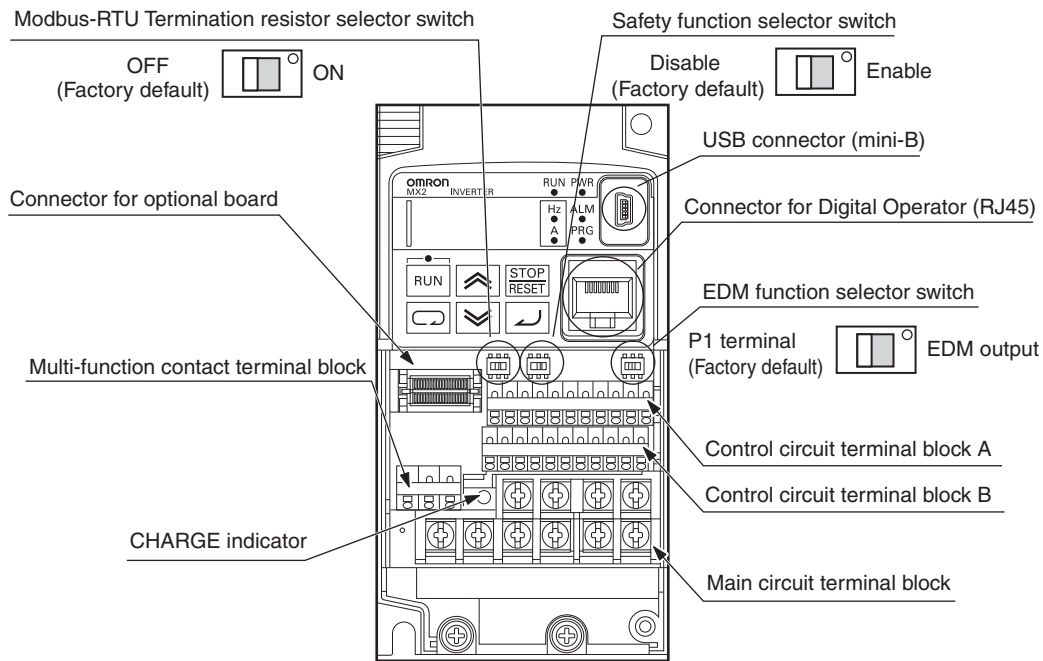
**Note:**

1. The applicable motor is a 3-phase standard motor. For using any other type, be sure that the rated current does not exceed that of the Inverter.
2. Output voltage decreases according to the level of the power supply voltage.
3. The braking torque at the time of capacitor feedback is an average deceleration torque at the shortest deceleration (when it stops from 50 Hz). It is not a continuous regeneration torque. Also, the average deceleration torque varies depending on the motor loss. The value is reduced in operation over 50 Hz.

# Multi-function Compact Inverter MX2-Series V1 type

## Components and Functions

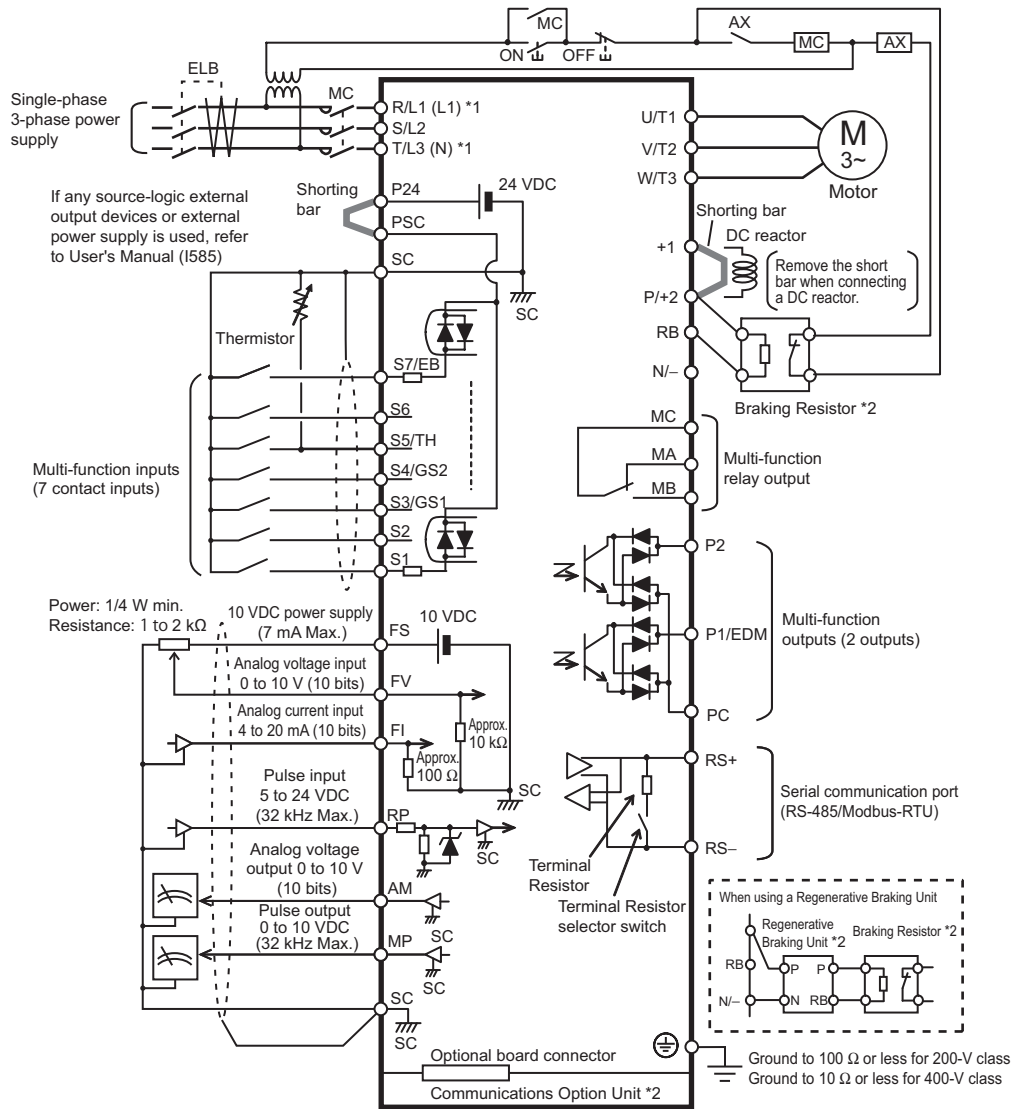
### Inverter MX2-series V1 type



| Name  | Function  |
|---|---|
| Modbus-RTU Termination resistor selector switch | Use this Terminal Resistor selector switch for RS-485 terminals on the control circuit terminal block. When this switch is turned ON, the internal 200 Ω Resistor is connected.   |
| Safety function selector switch                 | Turn this switch ON when using the safety function. Turn OFF the power before turning this switch ON/OFF. For details, refer to USER'S MANUAL (Cat.No.I585).  |
| EDM function selector switch                    | Turn this switch ON when using the EDM output of the safety function. Turn OFF the power before turning this switch ON/OFF. For details, refer to USER'S MANUAL (Cat.No.I585).  |
| USB connector                                   | Use this mini-B USB connector to connect a PC. Even when the Inverter is being operated by a PC, etc., via USB connection, it can still be operated using the Digital Operator.   |
| Connector for Digital Operator                  | Use this connector to connect the Digital Operator.   |
| Connector for optional board                    | Use this connector to mount the optional board. (Communications Units and other options can be connected.)  |
| Control circuit terminal blocks A and B         | These terminal blocks are used to connect various digital/analog input and output signals for inverter control, etc.  |
| Multi-function contact terminal block           | Use this SPDT contact terminal block for relay outputs.   |
| Main circuit terminal block                     | Use this terminal block to connect an output to the motor and Braking Resistor, etc. Also, use this terminal block to connect the inverter to the main power supply.  |
| CHARGE indicator (Charge indicator LED)         | This LED indicator is lit if the DC voltage of the main circuit (between terminals P/+2 and N/-) remains approx. 45 V or above after the power has been cut off. Before wiring, etc. confirm that the Charge LED indicator is turned OFF. |

**Note:** This illustration shows the terminal block with the front cover removed.

# Connection Diagram

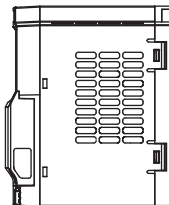
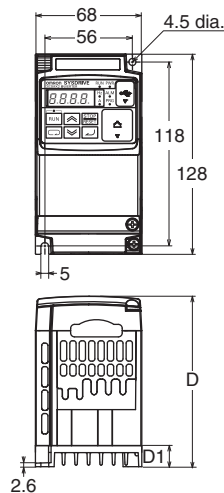


\*1 Connect to terminals L1 and N on a single-phase, 200-V Inverter (3G3MX2-AB□□□-V1).  
 \*2 Optional.

# Dimensions

(Unit: mm)

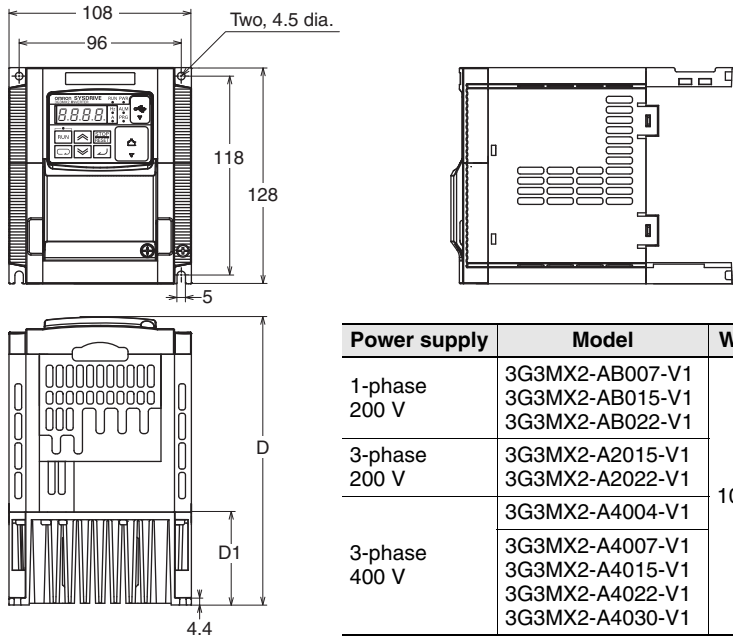
- 3G3MX2-AB001-V1
- 3G3MX2-AB002-V1
- 3G3MX2-AB004-V1
- 3G3MX2-A2001-V1
- 3G3MX2-A2002-V1
- 3G3MX2-A2004-V1
- 3G3MX2-A2007-V1



| Power supply     | Model           | W [mm] | H [mm] | D [mm] | D1 [mm] |
|------------------|-----------------|--------|--------|--------|---------|
| 1-phase<br>200 V | 3G3MX2-AB001-V1 | 68     | 128    | 109    | 13.5    |
|                  | 3G3MX2-AB002-V1 |        |        | 122.5  | 27      |
|                  | 3G3MX2-AB004-V1 |        |        | 109    | 13.5    |
| 3-phase<br>200 V | 3G3MX2-A2001-V1 | 68     | 128    | 109    | 13.5    |
|                  | 3G3MX2-A2002-V1 |        |        | 122.5  | 27      |
|                  | 3G3MX2-A2007-V1 |        |        | 145.5  | 50      |

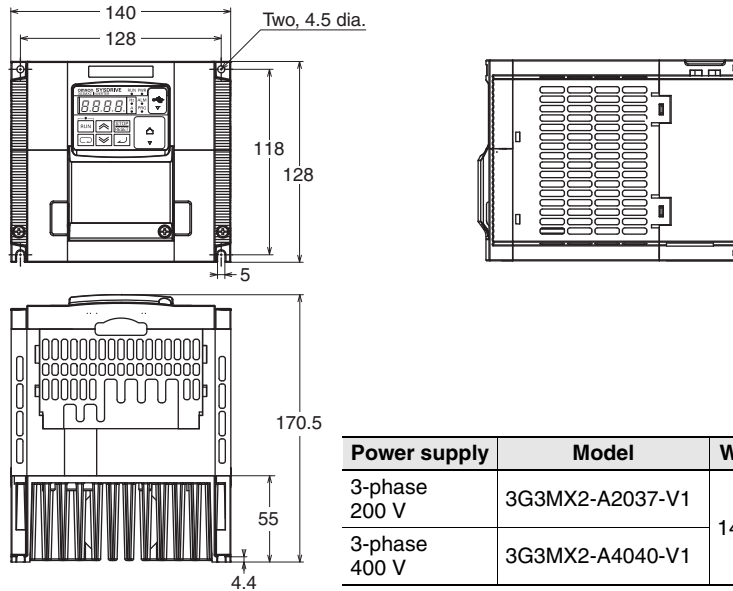
# Multi-function Compact Inverter MX2-Series V1 type

- 3G3MX2-AB007-V1
- 3G3MX2-AB015-V1
- 3G3MX2-AB022-V1
- 3G3MX2-A2015-V1
- 3G3MX2-A2022-V1
- 3G3MX2-A4004-V1
- 3G3MX2-A4007-V1
- 3G3MX2-A4015-V1
- 3G3MX2-A4022-V1
- 3G3MX2-A4030-V1



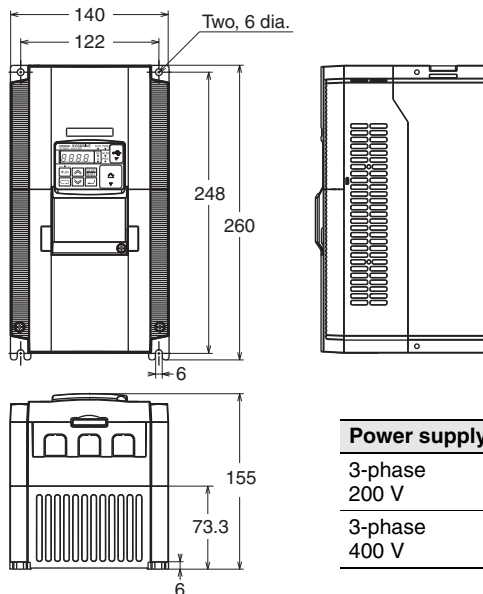
| Power supply     | Model           | W [mm] | H [mm] | D [mm] | D1 [mm] |
|------------------|-----------------|--------|--------|--------|---------|
| 1-phase<br>200 V | 3G3MX2-AB007-V1 | 108    | 128    | 170.5  | 55      |
|                  | 3G3MX2-AB015-V1 |        |        |        |         |
|                  | 3G3MX2-AB022-V1 |        |        |        |         |
| 3-phase<br>200 V | 3G3MX2-A2015-V1 |        |        | 143.5  | 28      |
|                  | 3G3MX2-A2022-V1 |        |        |        |         |
|                  | 3G3MX2-A4004-V1 |        |        |        |         |
| 3-phase<br>400 V | 3G3MX2-A4007-V1 | 170.5  | 55     |        |         |
|                  | 3G3MX2-A4015-V1 |        |        |        |         |
|                  | 3G3MX2-A4022-V1 |        |        |        |         |
|                  | 3G3MX2-A4030-V1 |        |        |        |         |

- 3G3MX2-A2037-V1
- 3G3MX2-A4040-V1



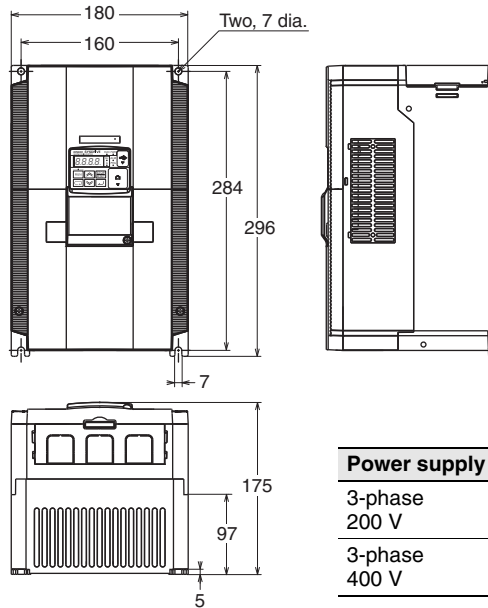
| Power supply     | Model           | W [mm] | H [mm] | D [mm] | D1 [mm] |
|------------------|-----------------|--------|--------|--------|---------|
| 3-phase<br>200 V | 3G3MX2-A2037-V1 | 140    | 128    | 170.5  | 55      |
| 3-phase<br>400 V | 3G3MX2-A4040-V1 |        |        |        |         |

- 3G3MX2-A2055-V1
- 3G3MX2-A2075-V1
- 3G3MX2-A4055-V1
- 3G3MX2-A4075-V1



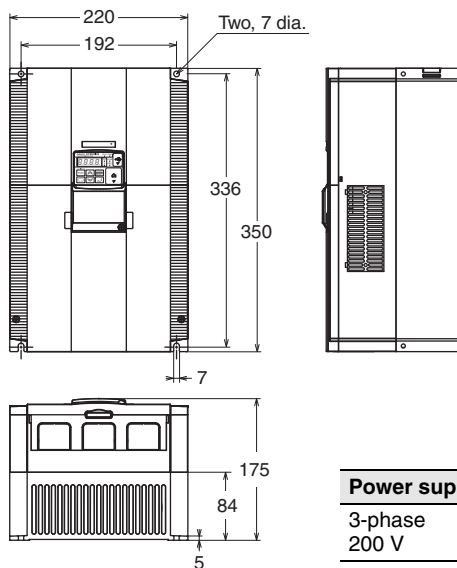
| Power supply     | Model           | W [mm] | H [mm] | D [mm] | D1 [mm] |
|------------------|-----------------|--------|--------|--------|---------|
| 3-phase<br>200 V | 3G3MX2-A2055-V1 | 140    | 260    | 155    | 73.3    |
|                  | 3G3MX2-A2075-V1 |        |        |        |         |
| 3-phase<br>400 V | 3G3MX2-A4055-V1 |        |        |        |         |
|                  | 3G3MX2-A4075-V1 |        |        |        |         |

3G3MX2-A2110-V1  
 3G3MX2-A4110-V1  
 3G3MX2-A4150-V1



| Power supply     | Model           | W [mm] | H [mm] | D [mm] | D1 [mm] |
|------------------|-----------------|--------|--------|--------|---------|
| 3-phase<br>200 V | 3G3MX2-A2110-V1 | 180    | 296    | 175    | 97      |
| 3-phase<br>400 V | 3G3MX2-A4110-V1 |        |        |        |         |
|                  | 3G3MX2-A4150-V1 |        |        |        |         |

3G3MX2-A2150-V1



| Power supply     | Model           | W [mm] | H [mm] | D [mm] | D1 [mm] |
|------------------|-----------------|--------|--------|--------|---------|
| 3-phase<br>200 V | 3G3MX2-A2150-V1 | 220    | 350    | 175    | 84      |

## Communication Unit

### MX2-Series EtherCAT Communication Unit 3G3AX-MX2-ECT

This is the communication unit to connect the Multi-function Compact Inverter MX2 to EtherCAT network.  
 This communication unit passed the conformance test of EtherCAT.

#### Common Specifications

| Item                          | Specifications  |  |
|-------------------------------|---|--|
| Power supply                  | Supplied from the inverter  |  |
| Protective structure          | Open type (IP20)  |  |
| Ambient operating temperature | -10 to +50°C  |  |
| Ambient storage temperature   | -20 to +65°C  |  |
| Ambient operating humidity    | 20% to 90% RH (with no condensation)  |  |
| Vibration resistance          | 5.9 m/s <sup>2</sup> (0.6 G), 10 to 55 Hz                                   |  |
| Application environment       | At a maximum altitude of 1,000 m; indoors (without corrosive gases or dust) |  |
| Weight                        | 100 g max.  |  |
| International standard        | UL/cUL  | UL508C   |
|                               | EC directive  | EMC Directive :EN61800-3: 2004<br>Low Voltage Directive :EN61800-5-1: 2003 |

# Multi-function Compact Inverter **MX2-Series V1 type**

## EtherCAT Communications Specifications

| Item                    | Specifications  |
|-------------------------|---|
| Communications standard | IEC 61158 Type12, IEC 61800-7 CiA 402 drive profile   |
| Physical layer          | 100BASE-TX (IEEE802.3)  |
| Connector               | RJ45 × 2 (shielded type)<br>ECAT IN : EtherCAT input<br>ECAT OUT : EtherCAT output            |
| Communications media    | Category 5 or higher (cable with double, aluminum tape and braided shielding) is recommended. |
| Communications distance | Distance between nodes: 100 m max.  |
| Process data            | Fixed PDO mapping<br>PDO mapping  |
| Mailbox (CoE)           | Emergency messages, SDO, SDO responses, and information                                       |
| Distributed clock       | FreeRun mode (asynchronous)   |
| LED display             | L/A IN (Link/Activity IN) × 1<br>L/A OUT (Link/Activity OUT) × 1<br>RUN × 1<br>ERR × 1        |
| CiA402 drive profile    | Velocity mode   |

## EtherCAT Communication Unit Version Information

As a Sysmac Device, the MX2-series Multi-function Compact Inverter is designed to provide optimal functionality and enhanced operability when used in conjunction with a Machine Automation Control such as NJ/NX series and the automation software Sysmac Studio.

## Unit Versions

| Unit  | Model         | Unit version           |                       |
|---|---------------|------------------------|-----------------------|
|   |               | Ver.1.0                | Ver1.1                |
| EtherCAT Communication Unit for MX2-Series                      | 3G3AX-MX2-ECT | Supported              | Supported             |
| Compatible Sysmac Studio version (To connect the NJ Controller) |               | Version1.05 or higher* | Version1.05 or higher |
| Compatible Sysmac Studio version (To connect the NX Controller) |               | Version1.13 or higher* | Version1.13 or higher |

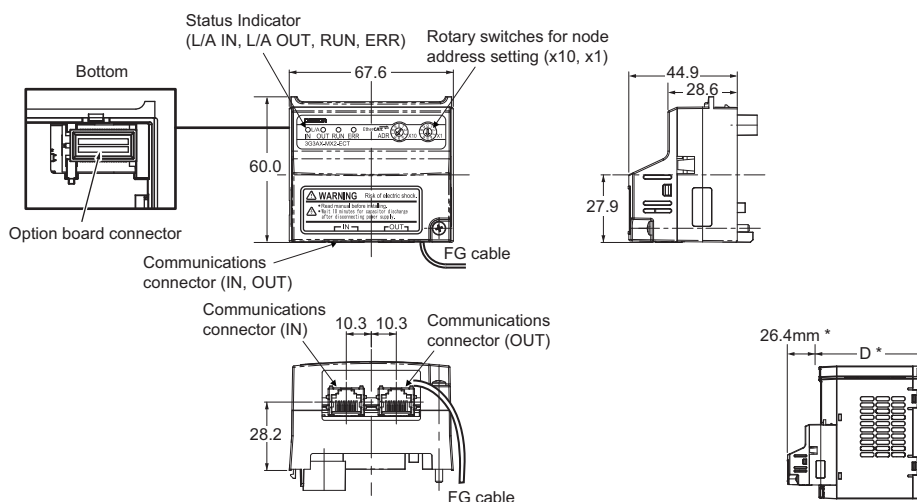
\* The function that was enhanced by the upgrade for Unit version1.1 can not be used. For detail, refer to "Function Support by Unit Version".

## Function Support by Unit Version

| Unit   | Unit version | Unit version 1.0 | Unit version 1.1 |
|--|--------------|------------------|------------------|
| Model  |              |                  |                  |
| Item   |              |                  |                  |
| Store-function of back-up number of parameters |              | Not supported    | Supported        |
| Initializing function as parameters.           |              | Not supported    | Supported        |

## Dimensions (Unit: mm)

### 3G3AX-MX2-ECT



\*After the EtherCAT Communication Unit is installed, dimension D of the inverter increases by 26.4 mm.  
(Dimension D of the inverter varies depending on the capacity. Refer to the MX2-series V1 type USER'S MANUAL (Cat.No.I585))



## MX2-Series CompoNet Communication Unit 3G3AX-MX2-CRT-E

This is the communication unit to connect the Multi-function Compact Inverter MX2 to CompoNet network.

### Common Specification

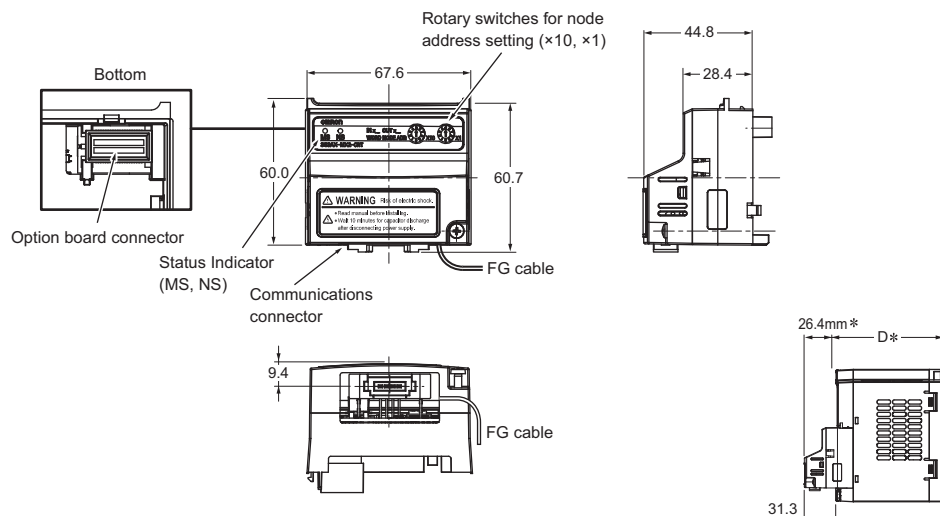
| Item                          |              | Specification  |
|-------------------------------|--------------|--|
| Power supply                  |              | Supplied from the inverter   |
| Protective structure          |              | IP20   |
| Ambient operating temperature |              | - 10 to 50 °C  |
| Ambient storage temperature   |              | - 20 to 65 °C  |
| Ambient operating humidity    |              | 20 to 90%RH (with no condensation)   |
| Vibration resistance          |              | 5.9m/s <sup>2</sup> (0.6G), 10 to 55Hz   |
| Application environment       |              | At a maximum altitude of 1,000 m; indoors (without corrosive gases or dust)                          |
| Insulation resistance         |              | 500VAC (between isolated circuits)   |
| Weight                        |              | Approx. 170g   |
| International standard        | UL/cUL       | UL508  |
|                               | EC directive | EN61800-3: 2004 (2004/108/EC) Second environment, Category C3<br>EN61800-5-1: 2007 (2006/95/EC) SELV |

### CompoNet Communications Specifications

| Item                       | Specification  |
|----------------------------|--|
| Slave type                 | Word Slave Unit (Mixed)  |
| Certification              | CompoNet Conformance Tested  |
| CompoNet Profile           | AC Drive (0x02)  |
| Node Address               | 0 to 63, set with inverter parameter P190 or the rotary switches.  |
| Communication power supply | - (External power not required)  |
| Baud rates supported       | 4 Mbps, 3 Mbps, 1.5 Mbps, 93.75 kbps. Automatically detecting baud rate of Master Unit   |
| Default Connection path    | Supported, set with inverter parameter P046  |
| Supported Assemblies       | Basic Remote IO (Output assembly 20, Input assembly 70)<br>Extended Speed IO (21, 71)<br>Extended Speed and Torque Control (123, 173)<br>Special IO (100, 150)<br>Extended Control IO (101, 151)<br>Extended Control IO and Multi function IO monitor (101, 153)<br>Flexible Format (139, 159)<br>Extended Speed and Acceleration Control (110, 111) |
| EDS file                   | Depending on the MX2 inverter model  |

### Dimensions (Unit: mm)

#### 3G3AX-MX2-CRT-E



\* After the CompoNet Communication Unit is installed, dimension D of the inverter increases by 26.4 mm. (Dimension D of the inverter varies depending on the capacity. Refer to the MX2-series V1 type USER'S MANUAL (Cat.No.I585))

## Multi-function Compact Inverter MX2-Series V1 type

### MX2-Series DeviceNet Communication Unit 3G3AX-MX2-DRT-E

This is the communication unit to connect the Multi-function Compact Inverter MX2 to DeviceNet network.

#### Common Specification

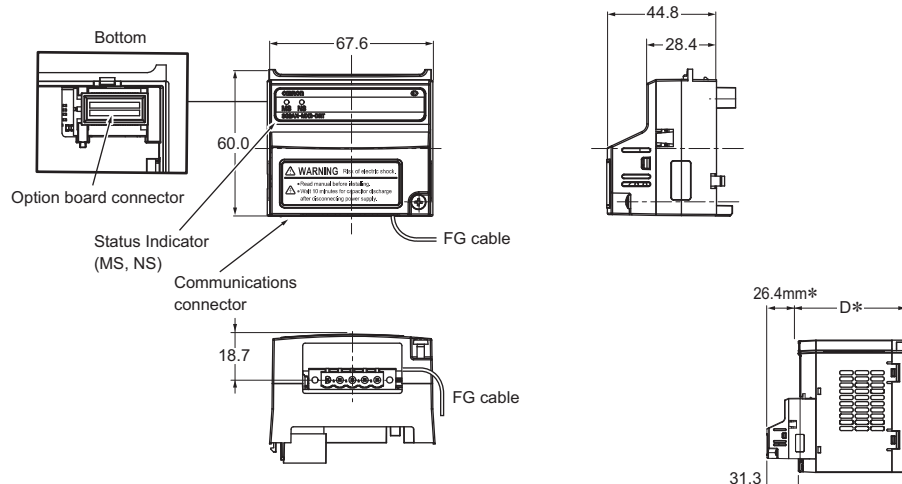
| Item                          |              | Specification   |
|-------------------------------|--------------|---|
| Power supply                  |              | Supplied from the inverter  |
| Protective structure          |              | IP20  |
| Ambient operating temperature |              | - 10 to 50 °C   |
| Ambient storage temperature   |              | - 20 to 65 °C   |
| Ambient operating humidity    |              | 20 to 90%RH (with no condensation)  |
| Vibration resistance          |              | 5.9m/s <sup>2</sup> (0.6G), 10 to 55Hz                                      |
| Application environment       |              | At a maximum altitude of 1,000 m; indoors (without corrosive gases or dust) |
| Insulation resistance         |              | 500VAC (between isolated circuits)  |
| Weight                        |              | Approx. 170g  |
| International standard        | UL/cUL       | UL508   |
|                               | EC directive | EN61800-3: 2004 (2004/108/EC) Second environment, Category C3               |
|                               |              | EN61800-5-1: 2007 (2006/95/EC) SELV   |

#### DeviceNet Communications Specifications

| Item                       | Specification  |
|----------------------------|--|
| Certification              | DeviceNet Conformance Tested   |
| DeviceNet Profile          | AC Drive (0x02)  |
| Supported connections      | Remote I/O: Master-Slave connection<br>Poll<br>Bit-Strobe<br>COS<br>Cyclic<br>Explicit Messages<br>Conform to DeviceNet specifications   |
| Communication power supply | 11 to 25VDC (MAX 50 mA, type 20 mA)  |
| Unit device address range  | MAC ID 0 to 63, set with inverter parameter P192   |
| Baud rates supported       | 125, 250, or 500kbps. Automatically detects baud rate of Master Unit.  |
| Default Connection path    | Supported, set with inverter parameter P046  |
| Supported Assemblies       | Basic Remote IO (Output assembly 20, Input assembly 70)<br>Extended Speed IO (21, 71)<br>Extended Speed and Torque Control (123, 173)<br>Special IO (100, 150)<br>Extended Control IO (101, 151)<br>Extended Control IO and Multi function IO monitor (101, 153)<br>Flexible Format (139, 159)<br>Extended Speed and Acceleration Control (110, 111)<br>In case the DeviceNet master is configured using user allocation, only the input / output pairs can be configured. |
| EDS file                   | Depending on the MX2 Inverter model  |

#### Dimensions (Unit: mm)

##### 3G3AX-MX2-DRT-E

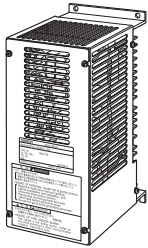


\* After the DeviceNet Communication Unit is installed, dimension D of the inverter increases by 26.4 mm. (Dimension D of the inverter varies depending on the capacity. Refer to the MX2-series V1 type USER'S MANUAL (Cat.No.I585))

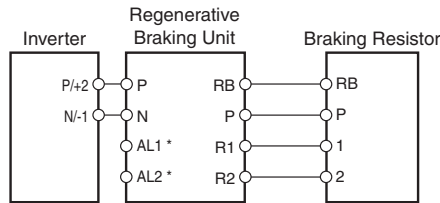
## Options

### Regenerative Braking Unit 3G3AX-RBU□□

Used with a Braking Resistor when the deceleration time of the motor is needed to be reduced in the MX2.



#### Connection Example



\* The alarm output terminals for the Regenerative Braking Unit. Provide a circuit to turn off the primary power supply for the Inverter when the temperature relay of the built-in resistor or optional Braking Resistor is activated.

## Specifications

### Built-in Resistance Type (3G3AX-RBU21/-RBU22/-RBU41)

| Class                                      |                                       | 3-phase 200-V class   |   | 3-phase 400-V class   |
|--|---------------------------------------|---|---|---|
| Model name (3G3AX-)                        |                                       | RBU21   | RBU22   | RBU41*1   |
| Connection resistance                      |                                       | 17 Ω min.   | 17 Ω min.                                       | 34 Ω min.   |
| Operating voltage ON/OFF                   |                                       | ON : 362.5 ± 5 V<br>OFF: 355 ± 5 V<br>(-5% or -10% setting available)   |   | ON : 725 ± 5 V<br>OFF: 710 ± 5 V<br>(-5% or -10% setting available) |
| Operation indication                       |                                       | LED ON (Lit)  |   |   |
| Parallel interlocking operation function*2 |                                       | 5 units max.  |   |   |
| Built-in resistor                          | Internal resistance                   | 120 W, 180 W  | 120 W, 20 W                                     | 120 W, 180 W × 2 in series  |
|  | Allowable consecutive ON time         | 10 s max.   | 0.5 s max.                                      | 10 s max.   |
|  | Allowable operation cycle             | Cycle 1/10<br>(ON for 10 s, OFF for 90 s)   | Cycle 1/80<br>(ON for 0.5 s, OFF for 40 s)      | Cycle 1/10<br>(ON for 10 s, OFF for 90 s)                           |
|  | Power consumption                     | Instantaneous 0.73 kW<br>Short-time rating 120 W  | Instantaneous 6.6 kW<br>Short-time rating 120 W | Instantaneous 1.46 kW<br>Short-time rating 240 W                    |
| Protective function                        | Built-in resistor overheat protection | <ul style="list-style-type: none"> <li>Cooling fin temperature Relay operates at approximately 200°C or higher. Recovers at approximately 170°C or lower.</li> <li>Built-in temperature fuse (recovery impossible)*3</li> <li>Rating of contact 250 V AC 200mA (R load)<br/>12 V DC 500mA (R load)<br/>42 V DC 200mA (R load)</li> <li>Minimum load 1mA (R load)</li> </ul> |   |   |
| Operating environment                      | Ambient temperature                   | -10 to 50°C   |   |   |
|  | Ambient storage temperature           | -20 to 65°C   |   |   |
|  | Ambient operating humidity            | 20% to 90% (with no condensation)   |   |   |
|  | Vibration                             | 5.9 m/s <sup>2</sup> (0.6G) 10 to 55 Hz   |   |   |
|  | Location                              | At a maximum altitude of 1,000 m (without corrosive gases or dust)  |   |   |
| Paint color                                |                                       | Munselle 5Y7/1 (cooling fan: aluminum ground color)   |   |   |

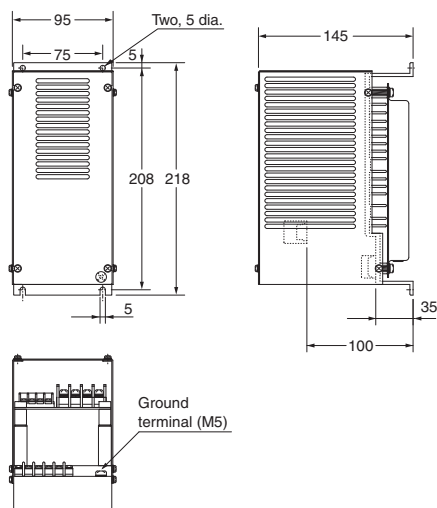
\*1 To use the braking resistor (Model: 3G3AX-RAB/RBB/RBC) for the 400-V class regenerative braking unit, be sure to remove the built-in resistor and connect two resistors of the same model in series. Using a 400-V class regenerative braking unit with only a single braking resistor connected may cause damage to the braking resistor.

\*2 Use DIP switches to set the number of connected units.

\*3 The built-in resistor has a thermal fuse. If the alarm terminals are not connected, the fuse may blow out in order to prevent the resistor from burning due to overheating. If the fuse blows out, the built-in resistor must be replaced.

## Dimensions (Unit: mm)

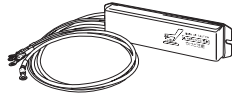
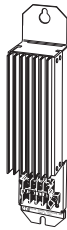
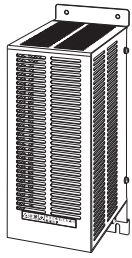
### 3G3AX-RBU21/-RBU22/-RBU41



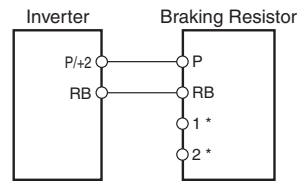
## Multi-function Compact Inverter MX2-Series V1 type

### Braking Resistor 3G3AX-RBA/-RBB/-RBC□□□□

Consumes the regenerative motor energy with a resistor to reduce deceleration time.



#### Connection Example



\* The alarm output terminals for the Braking Resistor. Provide a circuit to turn off the primary power supply for the Inverter when the temperature relay of the Braking Resistor is activated.

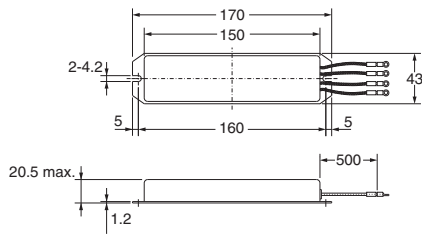
#### Specifications

| Model                                 |                               | Compact type<br>(3G3AX-RBA□□□□)  |      |      |      | Standard type<br>(3G3AX-RBB□□□□) |      |       |   | Medium capacity type<br>(3G3AX-RBC□□□□) |       |        |
|---------------------------------------|-------------------------------|--|------|------|------|----------------------------------|------|-------|---|---|-------|--------|
|                                       |                               | 1201   | 1202 | 1203 | 1204 | 2001                             | 2002 | 3001  | 4001  | 4001                                    | 6001  | 12001  |
| Resistance                            | Capacity                      | 120 W  |      |      |      | 200 W                            |      | 300 W | 400 W   | 400 W                                   | 600 W | 1200 W |
|                                       | Resistance (W)                | 180  | 100  | 50   | 35   | 180                              | 100  | 50    | 35  | 50                                      | 35    | 17     |
| Allowable braking frequency (%)       |                               | 5  | 2.5  | 1.5  | 1.0  | 10                               | 7.5  | 7.5   | 7.5   | 10                                      |       |        |
| Allowable continuous braking time (s) |                               | 20   | 12   | 5    | 3    | 30                               |      |       | 20  | 10                                      |       |        |
| Weight (kg)                           |                               | 0.27   |      |      |      | 0.97                             | 1.68 | 2.85  | 2.5   | 3.6                                     | 6.5   |        |
| Fault detection function              |                               | Built-in thermal (Contact capacity: 240 V AC 2 A max.)<br>Minimum current: 5 mA,<br>Normally ON (NC contact)<br>Built-in temperature fuse (recovery impossible)* |      |      |      |                                  |      |       | Built-in temperature relay,<br>Normally ON (NC contact)<br>Contact capacity: 240 V AC 3 A (R load),<br>0.2 A (L load), 36 V DC 2 A (R load) |   |       |        |
| General specifications                | Ambient operating temperature | -10 to 50°C  |      |      |      |                                  |      |       |   |   |       |        |
|                                       | Ambient storage temperature   | -20 to 65°C  |      |      |      |                                  |      |       |   |   |       |        |
|                                       | Ambient operating humidity    | 20% to 90% (RH) with no condensation   |      |      |      |                                  |      |       |   |   |       |        |
|                                       | Vibration                     | 5.9 m/s (0.6 G) 10 to 55 Hz Complies with JISC0911   |      |      |      |                                  |      |       |   |   |       |        |
|                                       | Location                      | At a maximum altitude of 1,000 m (without corrosive gases or dust)   |      |      |      |                                  |      |       |   |   |       |        |
| Cooling method                        |                               | Self-cooling   |      |      |      |                                  |      |       |   |   |       |        |

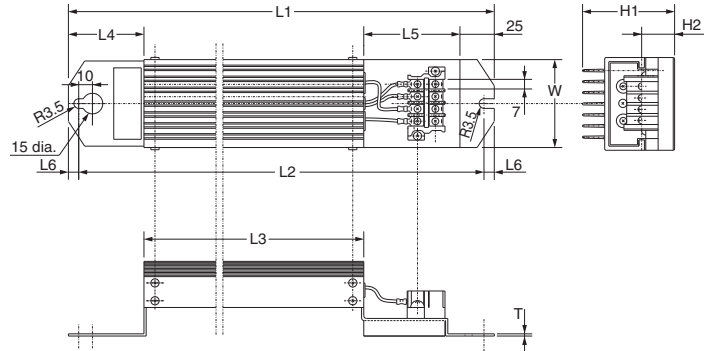
\* Built-in resistors are equipped with thermal fuses. If the alarm is not connected, the fuse may blow to prevent burnout due to overheating. If the fuse blows, the built-in resistor will need to be replaced.

## Dimensions (Unit: mm)

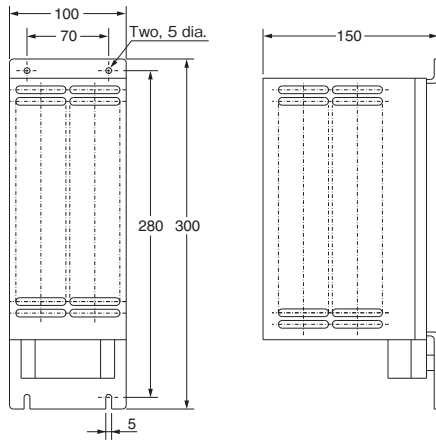
3G3AX-RBA



3G3AX-RBB



3G3AX-RBC4001

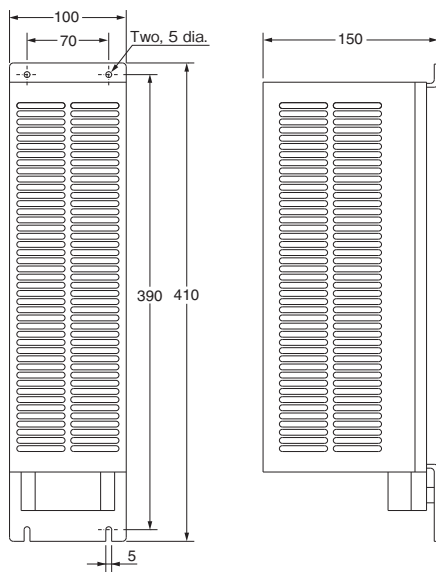


| Model         | Dimensions (mm) |     |     |    |    |     |
|---------------|-----------------|-----|-----|----|----|-----|
|               | L1              | L2  | L3  | L4 | L5 | L6  |
| 3G3AX-RBB2001 | 310             | 295 | 160 | 55 | 70 | 7.5 |
| 3G3AX-RBB2002 | 310             | 295 | 160 | 55 | 70 | 7.5 |
| 3G3AX-RBB3001 | 470             | 455 | 320 | 55 | 70 | 7.5 |
| 3G3AX-RBB4001 | 435             | 422 | 300 | 50 | 60 | 6.5 |

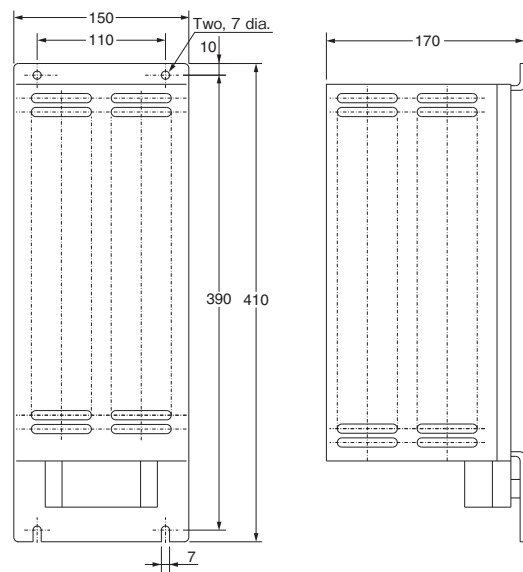
  

| Model         | Dimensions (mm) |    |    |     | Weight (kg) | Screw size |
|---------------|-----------------|----|----|-----|-------------|------------|
|               | H1              | H2 | W  | T   |             |            |
| 3G3AX-RBB2001 | 67              | 12 | 64 | 1.6 | 0.97        | M3.5       |
| 3G3AX-RBB2002 | 67              | 12 | 64 | 1.6 | 0.97        |            |
| 3G3AX-RBB3001 | 67              | 12 | 64 | 1.6 | 1.68        |            |
| 3G3AX-RBB4001 | 94              | 15 | 76 | 2   | 2.85        |            |

3G3AX-RBC6001



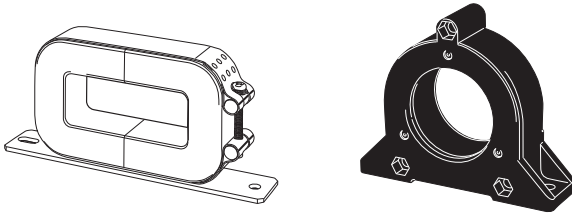
3G3AX-RBC12001



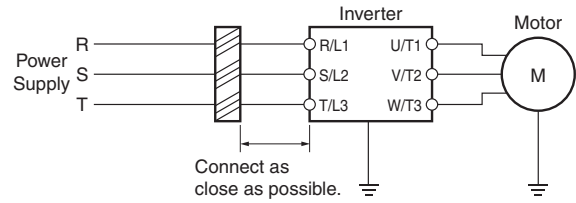
# Multi-function Compact Inverter MX2-Series V1 type

## Radio Noise Filter 3G3AX-ZCL□

Connected to the inverter input/output cables to reduce noise coming into the inverter from the power supply line and noise flowing from the inverter into the power supply line.



### Connection Example



Note 1: Wind each of three phase wires in the same direction.  
2: Can be used on both the input and output sides of the Inverter.

### Specifications 3G3AX-ZCL1

| Applicable Inverter capacity (kW) | 200 V class |              |          |              | 400 V class |              |          |              |
|-----------------------------------|-------------|--------------|----------|--------------|-------------|--------------|----------|--------------|
|                                   | Input       |              | output   |              | Input       |              | output   |              |
|                                   | Quantity    | No. of turns | Quantity | No. of turns | Quantity    | No. of turns | Quantity | No. of turns |
| 0.2                               | 1           | 4            | 1        | 4            | —           | —            | —        | —            |
| 0.4                               | 1           | 4            | 1        | 4            | 1           | 4            | 1        | 4            |
| 0.75                              | 1           | 4            | 1        | 4            | 1           | 4            | 1        | 4            |
| 1.5                               | 1           | 4            | 1        | 4            | 1           | 4            | 1        | 4            |
| 2.2                               | 1           | 4            | 1        | 4            | 1           | 4            | 1        | 4            |
| 3.0                               | 1           | 4            | 1        | 4            | 1           | 4            | 1        | 4            |
| 3.7                               | 1           | 4            | 1        | 4            | —           | —            | —        | —            |
| 4.0                               | —           | —            | —        | —            | 1           | 4            | 1        | 4            |
| 5.5                               | 1           | 4            | 1        | 4            | 1           | 4            | 1        | 4            |
| 7.5                               | 1           | 4            | 1        | 4            | 1           | 4            | 1        | 4            |
| 11                                | 1           | 3            | 1        | 3            | 1           | 4            | 1        | 4            |
| 15                                | 1           | 2            | 1        | 2            | 1           | 4            | 1        | 4            |

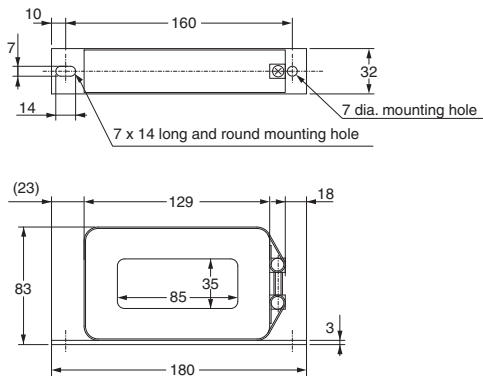
### Specifications 3G3AX-ZCL2

| Applicable Inverter capacity (kW) | 200 V class |              |          |              | 400 V class |              |          |              |
|-----------------------------------|-------------|--------------|----------|--------------|-------------|--------------|----------|--------------|
|                                   | Input       |              | output   |              | Input       |              | output   |              |
|                                   | Quantity    | No. of turns | Quantity | No. of turns | Quantity    | No. of turns | Quantity | No. of turns |
| 0.1                               | 1           | 4            | 1        | 4            | —           | —            | —        | —            |
| 0.2                               | 1           | 4            | 1        | 4            | —           | —            | —        | —            |
| 0.4                               | 1           | 4            | 1        | 4            | 1           | 4            | 1        | 4            |
| 0.75                              | 1           | 4            | 1        | 4            | 1           | 4            | 1        | 4            |
| 1.5                               | 1           | 4            | 1        | 4            | 1           | 4            | 1        | 4            |
| 2.2                               | 1           | 4            | 1        | 4            | 1           | 4            | 1        | 4            |
| 3.0                               | 1           | 4            | 1        | 4            | 1           | 4            | 1        | 4            |
| 3.7                               | 1           | 4            | 1        | 4            | —           | —            | —        | —            |
| 4.0                               | —           | —            | —        | —            | 1           | 4            | 1        | 4            |
| 5.5                               | 1           | 3            | 1        | 3            | 1           | 4            | 1        | 4            |
| 7.5                               | 1           | 2            | 1        | 2            | 1           | 4            | 1        | 4            |

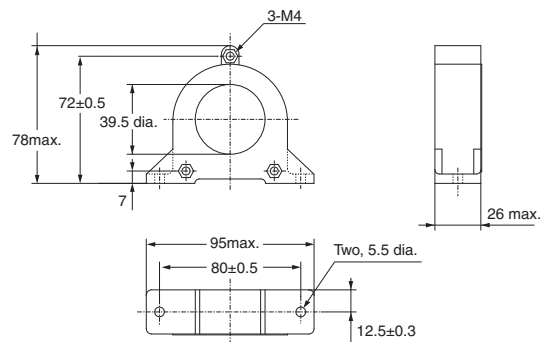
Note: Select options by the maximum applicable motor capacity of heavy and light load rating.

### Dimensions (Unit: mm)

#### 3G3AX-ZCL1

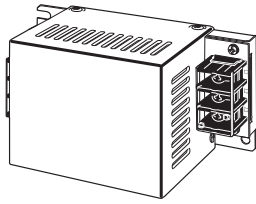


#### 3G3AX-ZCL2

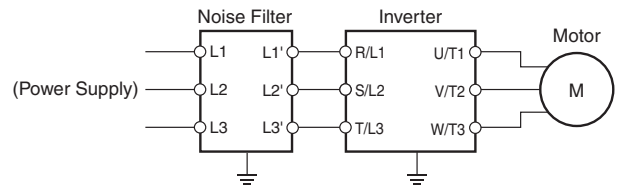


## Input Noise Filter 3G3AX-NFI□□

Reduces noise coming into the inverter from the power supply line and noise flowing from the inverter into the power supply line. Connect as close to the Inverter as possible.



### Connection Example



## Specifications

| Power supply    | Model                       | Inverter model  | Rated input current I <sub>n</sub> (A) at an ambient temperature of 50°C | Power loss (W) | Leakage current (mA/phase) at 60 Hz |
|-----------------|-----------------------------|-----------------|--|----------------|-------------------------------------|
| 3-phase 200 VAC | 3G3AX-NFI21                 | 3G3MX2-A2001-V1 | 3 × 6 A  | 3              | < 1.5 (250 V)                       |
|                 | 3G3AX-NFI21                 | 3G3MX2-A2002-V1 | 3 × 6 A  | 3              | < 1.5 (250 V)                       |
|                 | 3G3AX-NFI21                 | 3G3MX2-A2004-V1 | 3 × 6 A  | 3              | < 1.5 (250 V)                       |
|                 | 3G3AX-NFI22                 | 3G3MX2-A2007-V1 | 3 × 10 A   | 4              | < 1.5 (250 V)                       |
|                 | 3G3AX-NFI23                 | 3G3MX2-A2015-V1 | 3 × 20 A   | 6              | < 1.5 (250 V)                       |
|                 | 3G3AX-NFI23                 | 3G3MX2-A2022-V1 | 3 × 20 A   | 6              | < 1.5 (250 V)                       |
|                 | 3G3AX-NFI24                 | 3G3MX2-A2037-V1 | 3 × 30 A   | 9              | < 1.5 (250 V)                       |
|                 | 3G3AX-NFI25                 | 3G3MX2-A2055-V1 | 3 × 40 A   | 12             | < 1.5 (250 V)                       |
|                 | 3G3AX-NFI26                 | 3G3MX2-A2075-V1 | 3 × 60 A   | 17             | < 1.5 (250 V)                       |
| 1-phase 200 VAC | 3G3AX-NFI27                 | 3G3MX2-A2110-V1 | 3 × 80 A   | 21             | < 1.5 (250 V)                       |
|                 | 3G3AX-NFI21                 | 3G3MX2-AB001-V1 | 3 × 6 A  | 3              | < 1.5 (250 V)                       |
|                 | 3G3AX-NFI21                 | 3G3MX2-AB002-V1 | 3 × 6 A  | 3              | < 1.5 (250 V)                       |
|                 | 3G3AX-NFI22                 | 3G3MX2-AB004-V1 | 3 × 10 A   | 4              | < 1.5 (250 V)                       |
|                 | 3G3AX-NFI23                 | 3G3MX2-AB007-V1 | 3 × 20 A   | 6              | < 1.5 (250 V)                       |
|                 | 3G3AX-NFI24<br>3G3AX-NFI23* | 3G3MX2-AB015-V1 | 3 × 30 A<br>3 × 20 A   | 9<br>6         | < 1.5 (250 V)                       |
| 3-phase 400 VAC | 3G3AX-NFI24                 | 3G3MX2-AB022-V1 | 3 × 30 A   | 9              | < 1.5 (250 V)                       |
|                 | 3G3AX-NFI41                 | 3G3MX2-A4004-V1 | 3 × 7 A  | 2              | < 7.5 (480 V)                       |
|                 | 3G3AX-NFI41                 | 3G3MX2-A4007-V1 | 3 × 7 A  | 2              | < 7.5 (480 V)                       |
|                 | 3G3AX-NFI41                 | 3G3MX2-A4015-V1 | 3 × 7 A  | 2              | < 7.5 (480 V)                       |
|                 | 3G3AX-NFI42                 | 3G3MX2-A4022-V1 | 3 × 10 A   | 4              | < 7.5 (480 V)                       |
|                 | 3G3AX-NFI42                 | 3G3MX2-A4030-V1 | 3 × 10 A   | 4              | < 7.5 (480 V)                       |
|                 | 3G3AX-NFI43                 | 3G3MX2-A4040-V1 | 3 × 20 A   | 6              | < 7.5 (480 V)                       |
|                 | 3G3AX-NFI43                 | 3G3MX2-A4055-V1 | 3 × 20 A   | 6              | < 7.5 (480 V)                       |
|                 | 3G3AX-NFI44                 | 3G3MX2-A4075-V1 | 3 × 30 A   | 9              | < 7.5 (480 V)                       |
|                 | 3G3AX-NFI45                 | 3G3MX2-A4110-V1 | 3 × 40 A   | 12             | < 7.5 (480 V)                       |
|                 | 3G3AX-NFI46                 | 3G3MX2-A4150-V1 | 3 × 50 A   | 15             | < 7.5 (480 V)                       |

\* With the 3G3AX-NFI23, only the CT rating is supported.

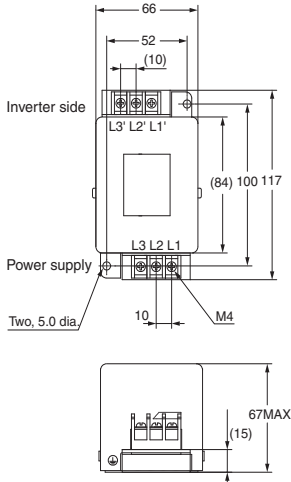
| Model       | Case enclosure rating | Terminal size | Wire dia.                                | Weight (kg) |
|-------------|-----------------------|---------------|--|-------------|
| 3G3AX-NFI21 | Plastic, IP00         | M4            | 1.25 mm <sup>2</sup>                     | 0.5         |
| 3G3AX-NFI22 | Plastic, IP00         | M4            | 2 mm <sup>2</sup>                        | 0.6         |
| 3G3AX-NFI23 | Plastic, IP00         | M4            | 2 mm <sup>2</sup> , 3.5 mm <sup>2</sup>  | 0.7         |
| 3G3AX-NFI24 | Plastic, IP00         | M4            | 5.5 mm <sup>2</sup>                      | 0.8         |
| 3G3AX-NFI25 | Plastic, IP00         | M5            | 8 mm <sup>2</sup>                        | 1.4         |
| 3G3AX-NFI26 | Plastic, IP00         | M5            | 14 mm <sup>2</sup>                       | 1.8         |
| 3G3AX-NFI27 | Metal, IP00           | M6            | 22 mm <sup>2</sup>                       | 3.6         |
| 3G3AX-NFI41 | Plastic, IP00         | M4            | 1.25 mm <sup>2</sup> , 2 mm <sup>2</sup> | 0.7         |
| 3G3AX-NFI42 | Plastic, IP00         | M4            | 2 mm <sup>2</sup>                        | 0.7         |
| 3G3AX-NFI43 | Plastic, IP00         | M4            | 2 mm <sup>2</sup> , 3.5 mm <sup>2</sup>  | 0.7         |
| 3G3AX-NFI44 | Plastic, IP00         | M4            | 5.5 mm <sup>2</sup>                      | 0.8         |
| 3G3AX-NFI45 | Plastic, IP00         | M5            | 8 mm <sup>2</sup>                        | 1.4         |
| 3G3AX-NFI46 | Plastic, IP00         | M5            | 14 mm <sup>2</sup>                       | 1.6         |

**Note:** Select options by the maximum applicable motor capacity of heavy and light load rating.

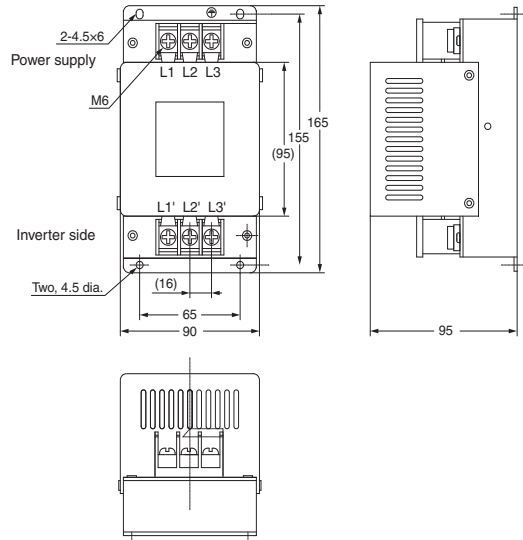
# Multi-function Compact Inverter MX2-Series V1 type

## Dimensions (Unit: mm)

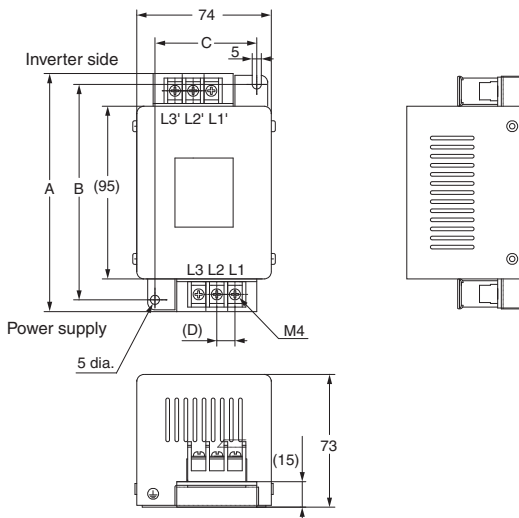
3G3AX-NFI21  
3G3AX-NFI22



3G3AX-NFI25/3G3AX-NFI26  
3G3AX-NFI45/3G3AX-NFI46

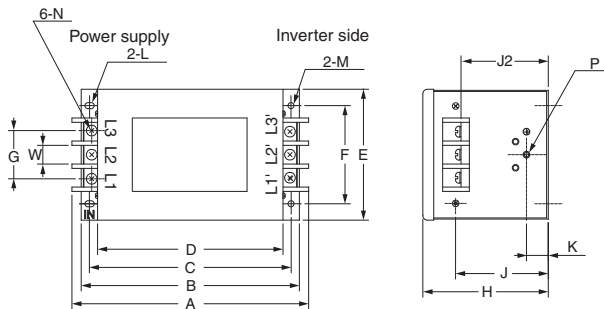


3G3AX-NFI23/3G3AX-NFI24  
3G3AX-NFI41/3G3AX-NFI42  
3G3AX-NFI43/3G3AX-NFI44



| Model       | Dimensions (mm) |     |    |    |
|-------------|-----------------|-----|----|----|
|             | A               | B   | C  | D  |
| 3G3AX-NFI23 | 128             | 118 | 56 | 10 |
| 3G3AX-NFI24 | 144             | 130 | 56 | 11 |
| 3G3AX-NFI41 | 144             | 130 | 56 | 11 |
| 3G3AX-NFI42 | 144             | 130 | 56 | 11 |
| 3G3AX-NFI43 | 144             | 130 | 56 | 11 |
| 3G3AX-NFI44 | 144             | 130 | 56 | 11 |

3G3AX-NFI27



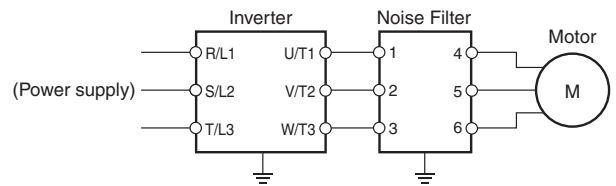
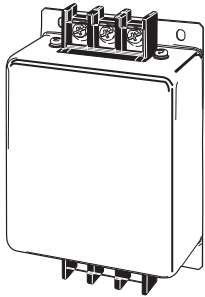
| Model       | Dimensions (mm) |     |     |     |     |    |    |     |    |    |    |                |          |    |    |    |
|-------------|-----------------|-----|-----|-----|-----|----|----|-----|----|----|----|----------------|----------|----|----|----|
|             | A               | B   | C   | D   | E   | F  | G  | H   | J  | J2 | K  | L              | M        | N  | P  | W  |
| 3G3AX-NFI27 | 217             | 200 | 185 | 170 | 120 | 90 | 44 | 115 | 85 | 82 | 20 | R2.75 Length 7 | 5.5 dia. | M6 | M4 | 17 |



## Output Noise Filter 3G3AX-NFO□□

Reduces noise generated by the Inverter. Connect as close to the Inverter as possible.

### Connection Example

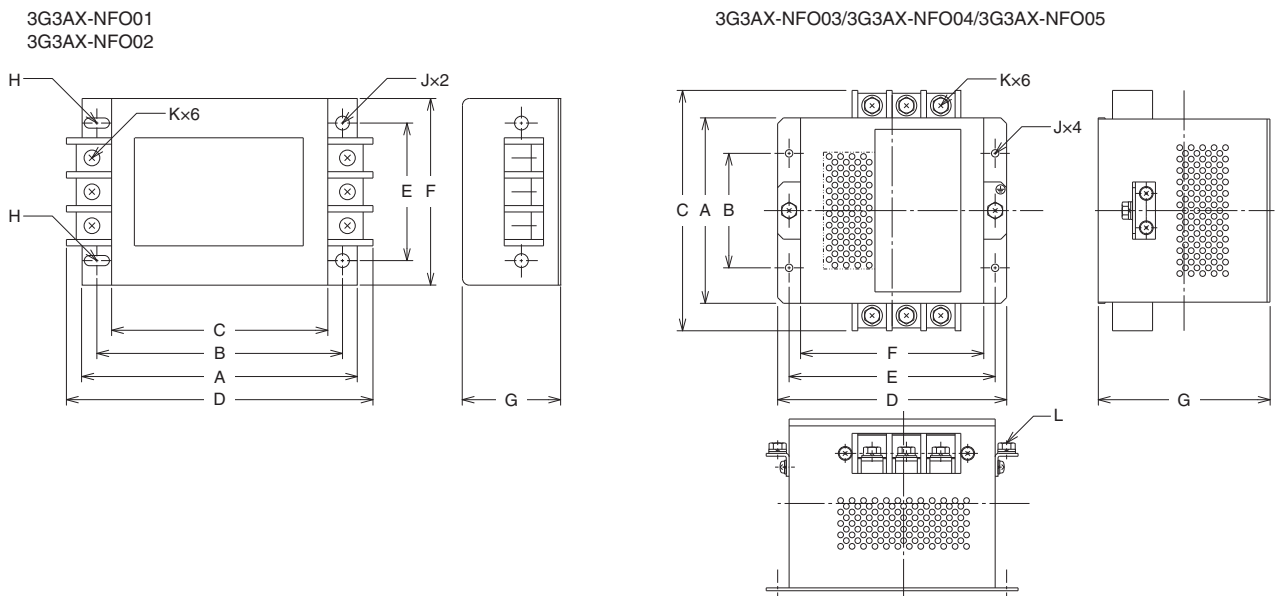


### Specifications

| Power supply                                | Model       | Rated current (A) | Inverter model                          |   |   | Weight (kg) |
|---|-------------|-------------------|---|---|---|-------------|
|   |             |                   | 3-phase AC 200 V class                  | 1-phase AC 200 V class                      | 3-phase AC 400 V class                  |             |
| 3-phase, 3-wire<br>Rated voltage<br>500 VAC | 3G3AX-NFO01 | 6                 | 3G3MX2-A2001-V1<br>/-A2002-V1/-A2004-V1 | 3G3MX2-AB001-V1<br>/-AB002-V1<br>/-AB004-V1 | 3G3MX2-A4004-V1<br>/-A4007-V1           | 0.7         |
|   | 3G3AX-NFO02 | 12                | 3G3MX2-A2007-V1<br>/-A2015-V1           | 3G3MX2-AB007-V1<br>/-AB015-V1               | 3G3MX2-A4015-V1<br>/-A4022-V1/-A4030-V1 | 0.9         |
|   | 3G3AX-NFO03 | 25                | 3G3MX2-A2022-V1<br>/-A2037-V1           | 3G3MX2-AB022-V1                             | 3G3MX2-A4040-V1<br>/-A4055-V1/-A4075-V1 | 2.1         |
|   | 3G3AX-NFO04 | 50                | 3G3MX2-A2055-V1<br>/-A2075-V1           | -   | 3G3MX2-A4110-V1<br>/-A4150-V1           | 3.7         |
|   | 3G3AX-NFO05 | 75                | 3G3MX2-A2110-V1<br>/-A2150-V1           | -   | -                                       | 5.7         |

**Note:** Select options by the maximum applicable motor capacity of heavy and light load rating.

### Dimensions (Unit: mm)



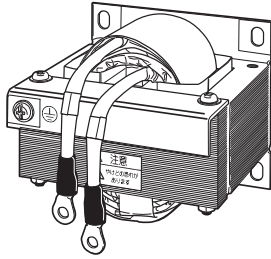
| Model       | A   | B   | C   | D   | E   | F   | G   | H                        | J           | K  | L  |
|-------------|-----|-----|-----|-----|-----|-----|-----|--------------------------|-------------|----|----|
| 3G3AX-NFO01 | 140 | 125 | 110 | 156 | 70  | 95  | 50  | R: 2.25mm<br>Length: 6mm | 4.5 mm dia. | M4 | -  |
| 3G3AX-NFO02 | 160 | 145 | 130 | 176 | 80  | 110 | 70  | R: 2.75mm<br>Length: 7mm | 5.5 mm dia. | M4 | -  |
| 3G3AX-NFO03 | 112 | 80  | 154 | 160 | 145 | 130 | 120 | -                        | 6.5 mm dia. | M4 | -  |
| 3G3AX-NFO04 | 162 | 100 | 210 | 200 | 180 | 160 | 150 | -                        | 6.5 mm dia. | M5 | M5 |
| 3G3AX-NFO05 | 182 | 100 | 230 | 220 | 200 | 180 | 170 | -                        | 6.5 mm dia. | M6 | M6 |

# Multi-function Compact Inverter MX2-Series V1 type

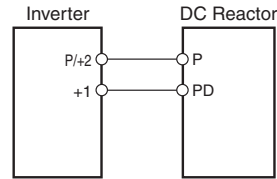
## DC Reactor 3G3AX-DL□□□□

Used to suppress harmonic current generated from the Inverter.

Suppresses harmonic current better than the AC Reactor and can be used with the AC Reactor.



### Connection Example



## Specifications

| Voltage class            | Inverter                            |                 |                                     |                                     |                         | DC reactor specifications |                 |                     |  |   |
|--------------------------|-------------------------------------|-----------------|-------------------------------------|-------------------------------------|-------------------------|---------------------------|-----------------|---------------------|--|---|
|                          | Max. applicable motor capacity (kW) | Model           | Heavy load: CT, Light load: VT mode | Max. applicable motor capacity (kW) | Rated input current (A) | Model                     | Inductance (mH) | Heat generation (W) | Operating ambient temperature/humidity | Location  |
| 3-phase 200-V class      | 0.1                                 | 3G3MX2-A2001-V1 | Heavy load *                        | 0.1                                 | 1.0                     | 3G3AX-DL2002              | 21.4            | 8                   | -10 to 50°C<br>20% to 90%              | At an altitude of 1,000 m max.; indoors (without corrosive gases or dust) |
|                          |                                     |                 | Light load                          | 0.2                                 | 1.2                     |                           |                 |                     |  |   |
|                          | 0.2                                 | 3G3MX2-A2002-V1 | Heavy load *                        | 0.2                                 | 1.6                     | 3G3AX-DL2004              | 10.7            |                     |  |   |
|                          |                                     |                 | Light load                          | 0.4                                 | 1.9                     |                           |                 |                     |  |   |
|                          | 0.4                                 | 3G3MX2-A2004-V1 | Heavy load *                        | 0.4                                 | 3.3                     | 3G3AX-DL2007              | 6.75            | 10                  |  |   |
|                          |                                     |                 | Light load                          | 0.75                                | 3.9                     |                           |                 |                     |  |   |
|                          | 0.75                                | 3G3MX2-A2007-V1 | Heavy load *                        | 0.75                                | 6.0                     | 3G3AX-DL2015              | 3.51            |                     |  |   |
|                          |                                     |                 | Light load                          | 1.1                                 | 7.2                     |                           |                 |                     |  |   |
|                          | 1.5                                 | 3G3MX2-A2015-V1 | Heavy load *                        | 1.5                                 | 9.0                     | 3G3AX-DL2022              | 2.51            | 13                  |  |   |
|                          |                                     |                 | Light load                          | 2.2                                 | 10.8                    |                           |                 |                     |  |   |
|                          | 2.2                                 | 3G3MX2-A2022-V1 | Heavy load *                        | 2.2                                 | 12.7                    | 3G3AX-DL2037              | 1.60            | 20                  |  |   |
|                          |                                     |                 | Light load                          | 3.0                                 | 13.9                    |                           |                 |                     |  |   |
|                          | 3.7                                 | 3G3MX2-A2037-V1 | Heavy load *                        | 3.7                                 | 20.5                    | 3G3AX-DL2055              | 1.11            | 26                  |  |   |
|                          |                                     |                 | Light load                          | 5.5                                 | 23.0                    |                           |                 |                     |  |   |
|                          | 5.5                                 | 3G3MX2-A2055-V1 | Heavy load *                        | 5.5                                 | 30.8                    | 3G3AX-DL2075              | 0.84            | 36                  |  |   |
|                          |                                     |                 | Light load                          | 7.5                                 | 37.0                    |                           |                 |                     |  |   |
|                          | 7.5                                 | 3G3MX2-A2075-V1 | Heavy load *                        | 7.5                                 | 39.6                    | 3G3AX-DL2110              | 0.59            | 52                  |  |   |
|                          |                                     |                 | Light load                          | 11                                  | 48.0                    |                           |                 |                     |  |   |
| 11                       | 3G3MX2-A2110-V1                     | Heavy load *    | 11                                  | 57.1                                | 3G3AX-DL2150            | 0.44                      | 60              |                     |  |   |
|                          |                                     | Light load      | 15                                  | 68.0                                |                         |                           |                 |                     |  |   |
| 15                       | 3G3MX2-A2150-V1                     | Heavy load *    | 15                                  | 62.6                                | 3G3AX-DL2220            | 0.30                      | 63              |                     |  |   |
|                          |                                     | Light load      | 18.5                                | 72.0                                |                         |                           |                 |                     |  |   |
| Single-phase 200-V Class | 0.1                                 | 3G3MX2-AB001-V1 | Heavy load *                        | 0.1                                 | 1.3                     | 3G3AX-DL2002              | 21.4            | 8                   | -10 to 50°C<br>20% to 90%              | At an altitude of 1,000 m max.; indoors (without corrosive gases or dust) |
|                          |                                     |                 | Light load                          | 0.2                                 | 2.0                     |                           |                 |                     |  |   |
|                          | 0.2                                 | 3G3MX2-AB002-V1 | Heavy load *                        | 0.2                                 | 3.0                     | 3G3AX-DL2004              | 10.7            |                     |  |   |
|                          |                                     |                 | Light load                          | 0.4                                 | 3.6                     |                           |                 |                     |  |   |
|                          | 0.4                                 | 3G3MX2-AB004-V1 | Heavy load *                        | 0.4                                 | 6.3                     | 3G3AX-DL2007              | 6.75            | 10                  |  |   |
|                          |                                     |                 | Light load                          | 0.55                                | 7.3                     |                           |                 |                     |  |   |
|                          | 0.75                                | 3G3MX2-AB007-V1 | Heavy load *                        | 0.75                                | 11.5                    | 3G3AX-DL2015              | 3.51            |                     |  |   |
|                          |                                     |                 | Light load                          | 1.1                                 | 13.8                    |                           |                 |                     |  |   |
|                          | 1.5                                 | 3G3MX2-AB015-V1 | Heavy load *                        | 1.5                                 | 16.8                    | 3G3AX-DL2022              | 2.51            | 13                  |  |   |
|                          |                                     |                 | Light load                          | 2.2                                 | 20.2                    |                           |                 |                     |  |   |
| 2.2                      | 3G3MX2-AB022-V1                     | Heavy load *    | 2.2                                 | 22.0                                | 3G3AX-DL2037            | 1.60                      | 20              |                     |  |   |
|                          |                                     | Light load      | 3.0                                 | 24.0                                |                         |                           |                 |                     |  |   |

## Multi-function Compact Inverter MX2-Series V1 type

| Inverter            |                                     |                 |                                     |                                     |                         | DC reactor specifications |                 |                     |  |   |
|---------------------|-------------------------------------|-----------------|-------------------------------------|-------------------------------------|-------------------------|---------------------------|-----------------|---------------------|--|---|
| Voltage class       | Max. applicable motor capacity (kW) | Model           | Heavy load: CT, Light load: VT mode | Max. applicable motor capacity (kW) | Rated input current (A) | Model                     | Inductance (mH) | Heat generation (W) | Operating ambient temperature/humidity | Location  |
| 3-phase 400-V class | 0.4                                 | 3G3MX2-A4004-V1 | Heavy load *                        | 0.4                                 | 1.8                     | 3G3AX-DL4004              | 43.0            | 10                  | -10 to 50°C<br>20% to 90%              | At an altitude of 1,000 m max.; indoors (without corrosive gases or dust) |
|                     |                                     |                 | Light load                          | 0.75                                | 2.1                     | 3G3AX-DL4007              | 27.0            |                     |  |   |
|                     | 0.75                                | 3G3MX2-A4007-V1 | Heavy load *                        | 0.75                                | 3.6                     | 3G3AX-DL4015              | 14.0            |                     |  |   |
|                     |                                     |                 | Light load                          | 1.5                                 | 4.3                     |                           |                 |                     |  |   |
|                     | 1.5                                 | 3G3MX2-A4015-V1 | Heavy load *                        | 1.5                                 | 5.2                     | 3G3AX-DL4022              | 10.1            | 13                  |  |   |
|                     |                                     |                 | Light load                          | 2.2                                 | 5.9                     |                           |                 |                     |  |   |
|                     | 2.2                                 | 3G3MX2-A4022-V1 | Heavy load *                        | 2.2                                 | 6.5                     | 3G3AX-DL4037              | 6.4             | 20                  |  |   |
|                     |                                     |                 | Light load                          | 3.0                                 | 8.1                     |                           |                 |                     |  |   |
|                     | 3.0                                 | 3G3MX2-A4030-V1 | Heavy load *                        | 3.0                                 | 7.7                     | 3G3AX-DL4055              | 4.41            | 26                  |  |   |
|                     |                                     |                 | Light load                          | 4.0                                 | 9.4                     |                           |                 |                     |  |   |
|                     | 4.0                                 | 3G3MX2-A4040-V1 | Heavy load *                        | 4.0                                 | 11.0                    | 3G3AX-DL4075              | 3.35            | 36                  |  |   |
|                     |                                     |                 | Light load                          | 5.5                                 | 13.3                    |                           |                 |                     |  |   |
|                     | 5.5                                 | 3G3MX2-A4055-V1 | Heavy load *                        | 5.5                                 | 16.9                    | 3G3AX-DL4110              | 2.33            | 52                  |  |   |
|                     |                                     |                 | Light load                          | 7.5                                 | 20.0                    |                           |                 |                     |  |   |
|                     | 7.5                                 | 3G3MX2-A4075-V1 | Heavy load *                        | 7.5                                 | 18.8                    | 3G3AX-DL4150              | 1.75            | 60                  |  |   |
|                     |                                     |                 | Light load                          | 11                                  | 24.0                    |                           |                 |                     |  |   |
|                     | 11                                  | 3G3MX2-A4110-V1 | Heavy load *                        | 11                                  | 29.4                    | 3G3AX-DL4220              | 1.2             | 67                  |  |   |
|                     |                                     |                 | Light load                          | 15                                  | 38.0                    |                           |                 |                     |  |   |
| 15                  | 3G3MX2-A4150-V1                     | Heavy load *    | 15                                  | 35.9                                |                         |                           |                 |                     |  |   |
|                     |                                     | Light load      | 18.5                                | 44.0                                |                         |                           |                 |                     |  |   |

\* The DC reactor model for the heavy-load mode is selected with reference to the rated current value of a general-purpose motor, which is 85% of the rated output current of the inverter. If you intend to constantly drive a motor whose rated current value exceeds 85% of the rated output current of the inverter, use the DC reactor model selected for the light-load mode.

# Multi-function Compact Inverter MX2-Series V1 type

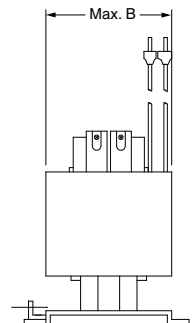
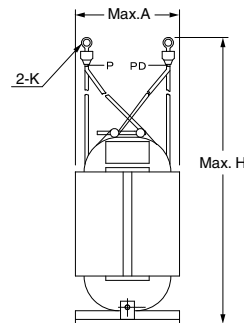
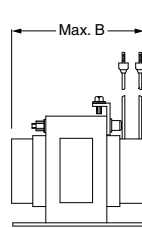
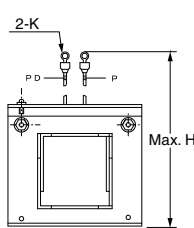
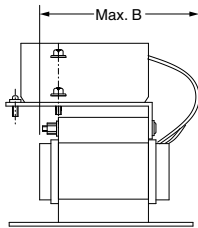
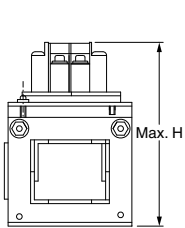
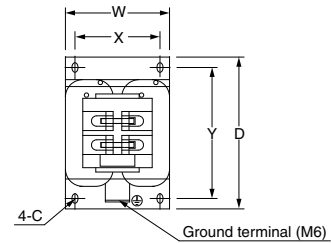
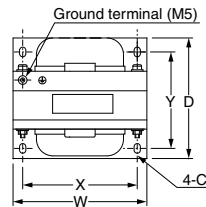
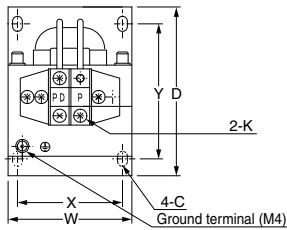
## Dimensions (Unit: mm)

| Inverter input power supply    | Model        | Fig. No. | Applicable Motor capacity (kW) | Dimensions (mm) |     |     |     |     |     |        |         | Weight (kg) | Standard applicable wire |                           |
|--------------------------------|--------------|----------|--------------------------------|-----------------|-----|-----|-----|-----|-----|--------|---------|-------------|--------------------------|---------------------------|
|                                |              |          |                                | W               | D   | H   | A   | B   | X   | Y      | C       |             |                          | K                         |
| 3-phase/<br>1-phase 200<br>VAC | 3G3AX-DL2002 | Fig. 1   | 0.1, 0.2                       | 66              | 90  | 98  | -   | 85  | 56  | 72     | 5.2 × 8 | M4          | 0.8                      | 1.25 mm <sup>2</sup> min. |
|                                | 3G3AX-DL2004 |          | 0.4                            | 66              | 90  | 98  | -   | 95  | 56  | 72     | 5.2 × 8 | M4          | 1.0                      | 1.25 mm <sup>2</sup> min. |
|                                | 3G3AX-DL2007 |          | 0.55, 0.75                     | 66              | 90  | 98  | -   | 105 | 56  | 72     | 5.2 × 8 | M4          | 1.3                      | 2 mm <sup>2</sup> min.    |
|                                | 3G3AX-DL2015 |          | 1.1, 1.5                       | 66              | 90  | 98  | -   | 115 | 56  | 72     | 5.2 × 8 | M4          | 1.6                      | 2 mm <sup>2</sup> min.    |
|                                | 3G3AX-DL2022 |          | 2.2                            | 86              | 100 | 116 | -   | 105 | 71  | 80     | 6 × 9   | M4          | 2.1                      | 2 mm <sup>2</sup> min.    |
|                                | 3G3AX-DL2037 |          | 3.0, 3.7                       | 86              | 100 | 118 | -   | 120 | 71  | 80     | 6 × 9   | M4          | 2.6                      | 3.5 mm <sup>2</sup> min.  |
|                                | 3G3AX-DL2055 | Fig. 2   | 5.5                            | 111             | 100 | 210 | -   | 110 | 95  | 80     | 7 × 11  | M5          | 3.6                      | 8 mm <sup>2</sup> min.    |
|                                | 3G3AX-DL2075 |          | 7.5                            | 111             | 100 | 212 | -   | 120 | 95  | 80     | 7 × 11  | M6          | 3.9                      | 14 mm <sup>2</sup> min.   |
|                                | 3G3AX-DL2110 |          | 11                             | 146             | 120 | 252 | -   | 110 | 124 | 96     | 7 × 11  | M6          | 6.5                      | 22 mm <sup>2</sup> min.   |
|                                | 3G3AX-DL2150 |          | 15                             | 146             | 120 | 256 | -   | 120 | 124 | 96     | 7 × 11  | M8          | 7.0                      | 38 mm <sup>2</sup> min.   |
|                                | 3G3AX-DL2220 | Fig. 3   | 18.5                           | 120             | 175 | 356 | 140 | 145 | 98  | 151    | 7 × 11  | M8          | 9.0                      | 60 mm <sup>2</sup> min.   |
| 3-phase 400<br>VAC             | 3G3AX-DL4004 | Fig. 1   | 0.4                            | 66              | 90  | 98  | -   | 85  | 56  | 72     | 5.2 × 8 | M4          | 0.8                      | 1.25 mm <sup>2</sup> min. |
|                                | 3G3AX-DL4007 |          | 0.75                           | 66              | 90  | 98  | -   | 95  | 56  | 72     | 5.2 × 8 | M4          | 1.1                      | 1.25 mm <sup>2</sup> min. |
|                                | 3G3AX-DL4015 |          | 1.5                            | 66              | 90  | 98  | -   | 115 | 56  | 72     | 5.2 × 8 | M4          | 1.6                      | 2 mm <sup>2</sup> min.    |
|                                | 3G3AX-DL4022 |          | 2.2                            | 86              | 100 | 116 | -   | 105 | 71  | 80     | 6 × 9   | M4          | 2.1                      | 2 mm <sup>2</sup> min.    |
|                                | 3G3AX-DL4037 |          | 3.0                            | 86              | 100 | 116 | -   | 120 | 71  | 80     | 6 × 9   | M4          | 2.6                      | 2 mm <sup>2</sup> min.    |
|                                | 3G3AX-DL4055 |          | 5.5                            | 111             | 100 | 138 | -   | 110 | 95  | 80     | 7 × 11  | M4          | 3.6                      | 3.5 mm <sup>2</sup> min.  |
|                                | 3G3AX-DL4075 | 7.5      | 111                            | 100             | 138 | -   | 115 | 95  | 80  | 7 × 11 | M4      | 3.9         | 3.5 mm <sup>2</sup> min. |                           |
|                                | 3G3AX-DL4110 | Fig. 2   | 11                             | 146             | 120 | 250 | -   | 105 | 124 | 96     | 7 × 11  | M5          | 5.2                      | 5.5 mm <sup>2</sup> min.  |
|                                | 3G3AX-DL4150 |          | 15                             | 146             | 120 | 252 | -   | 120 | 124 | 96     | 7 × 11  | M6          | 7.0                      | 14 mm <sup>2</sup> min.   |
|                                | 3G3AX-DL4220 |          | Fig. 3                         | 18.5            | 120 | 175 | 352 | 140 | 145 | 98     | 151     | 7 × 11      | M6                       | 9.5                       |

Fig. 1

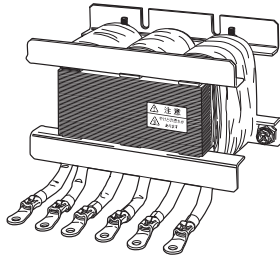
Fig. 2

Fig. 3

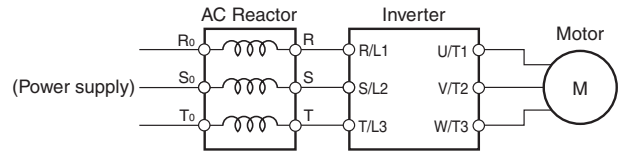


## AC Reactor 3G3AX-AL□□□□

Connect the AC Reactor if the capacity of the power supply is much larger than that of the Inverter or the power factor is required to be improved.



### Connection Example



### Specifications

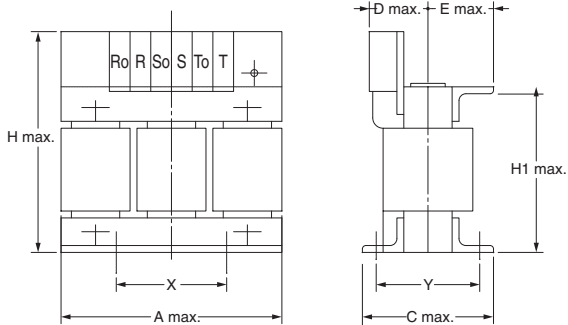
| Voltage class            | Inverter                            |                 |                                     |                                     |                         | AC reactor specifications |                 |                     |  |   |              |      |    |
|--------------------------|-------------------------------------|-----------------|-------------------------------------|-------------------------------------|-------------------------|---------------------------|-----------------|---------------------|--|---|--------------|------|----|
|                          | Max. applicable motor capacity (kW) | Model           | Heavy load: CT, Light load: VT mode | Max. applicable motor capacity (kW) | Rated input current (A) | Model                     | Inductance (mH) | Heat generation (W) | Operating ambient temperature/humidity | Location  |              |      |    |
| 3-phase 200-V class      | 0.1                                 | 3G3MX2-A2001-V1 | Heavy load                          | 0.1                                 | 1.0                     | 3G3AX-AL2025              | 2.8             | 12                  | -10 to 50°C                            | At an altitude of 1,000 m max.; indoors (without corrosive gases or dust) |              |      |    |
|                          |                                     |                 | Light load                          | 0.2                                 | 1.2                     |                           |                 |                     |  |   |              |      |    |
|                          | 0.2                                 | 3G3MX2-A2002-V1 | Heavy load                          | 0.2                                 | 1.6                     |                           |                 |                     |  |   |              |      |    |
|                          |                                     |                 | Light load                          | 0.4                                 | 1.9                     |                           |                 |                     |  |   |              |      |    |
|                          | 0.4                                 | 3G3MX2-A2004-V1 | Heavy load                          | 0.4                                 | 3.3                     |                           |                 |                     |  |   |              |      |    |
|                          |                                     |                 | Light load                          | 0.75                                | 3.9                     |                           |                 |                     |  |   |              |      |    |
|                          | 0.75                                | 3G3MX2-A2007-V1 | Heavy load                          | 0.75                                | 6.0                     |                           |                 |                     |  |   |              |      |    |
|                          |                                     |                 | Light load                          | 1.1                                 | 7.2                     |                           |                 |                     |  |   |              |      |    |
|                          | 1.5                                 | 3G3MX2-A2015-V1 | Heavy load                          | 1.5                                 | 9.0                     |                           |                 |                     |  |   |              |      |    |
|                          |                                     |                 | Light load                          | 2.2                                 | 10.8                    |                           |                 |                     |  |   |              |      |    |
|                          | 2.2                                 | 3G3MX2-A2022-V1 | Heavy load                          | 2.2                                 | 12.7                    |                           |                 |                     |  |   | 3G3AX-AL2055 | 0.88 | 25 |
|                          |                                     |                 | Light load                          | 3.0                                 | 13.9                    |                           |                 |                     |  |   |              |      |    |
| 3.7                      | 3G3MX2-A2037-V1                     | Heavy load      | 3.7                                 | 20.5                                | 3G3AX-AL2110            | 0.35                      | 50              |                     |  |   |              |      |    |
|                          |                                     | Light load      | 5.5                                 | 23.0                                |                         |                           |                 |                     |  |   |              |      |    |
| 5.5                      | 3G3MX2-A2055-V1                     | Heavy load      | 5.5                                 | 30.8                                |                         |                           |                 |                     |  |   |              |      |    |
|                          |                                     | Light load      | 7.5                                 | 37.0                                |                         |                           |                 |                     |  |   |              |      |    |
| 7.5                      | 3G3MX2-A2075-V1                     | Heavy load      | 7.5                                 | 39.6                                | 3G3AX-AL2220            | 0.18                      | 50              |                     |  |   |              |      |    |
|                          |                                     | Light load      | 11                                  | 48.0                                |                         |                           |                 |                     |  |   |              |      |    |
| 11                       | 3G3MX2-A2110-V1                     | Heavy load      | 11                                  | 57.1                                |                         |                           |                 |                     |  |   |              |      |    |
|                          |                                     | Light load      | 15                                  | 68.0                                |                         |                           |                 |                     |  |   |              |      |    |
| 15                       | 3G3MX2-A2150-V1                     | Heavy load      | 15                                  | 62.6                                | 3G3AX-AL2330            | 0.09                      | 85              |                     |  |   |              |      |    |
|                          |                                     | Light load      | 18.5                                | 72.0                                |                         |                           |                 |                     |  |   |              |      |    |
| Single-phase 200-V Class | 0.1                                 | 3G3MX2-AB001-V1 | Heavy load                          | 0.1                                 | 1.3                     | 3G3AX-AL2025              | 2.8             | 12                  | -10 to 50°C                            | At an altitude of 1,000 m max.; indoors (without corrosive gases or dust) |              |      |    |
|                          |                                     |                 | Light load                          | 0.2                                 | 2.0                     |                           |                 |                     |  |   |              |      |    |
|                          | 0.2                                 | 3G3MX2-AB002-V1 | Heavy load                          | 0.2                                 | 3.0                     |                           |                 |                     |  |   |              |      |    |
|                          |                                     |                 | Light load                          | 0.4                                 | 3.6                     |                           |                 |                     |  |   |              |      |    |
|                          | 0.4                                 | 3G3MX2-AB004-V1 | Heavy load                          | 0.4                                 | 6.3                     |                           |                 |                     |  |   |              |      |    |
|                          |                                     |                 | Light load                          | 0.55                                | 7.3                     |                           |                 |                     |  |   |              |      |    |
|                          | 0.75                                | 3G3MX2-AB007-V1 | Heavy load                          | 0.75                                | 11.5                    |                           |                 |                     |  |   | 3G3AX-AL2055 | 0.88 | 25 |
|                          |                                     |                 | Light load                          | 1.1                                 | 13.8                    |                           |                 |                     |  |   |              |      |    |
|                          | 1.5                                 | 3G3MX2-AB015-V1 | Heavy load                          | 1.5                                 | 16.8                    |                           |                 |                     |  |   | 3G3AX-AL2110 | 0.35 | 50 |
|                          |                                     |                 | Light load                          | 2.2                                 | 20.2                    |                           |                 |                     |  |   |              |      |    |
|                          | 2.2                                 | 3G3MX2-AB022-V1 | Heavy load                          | 2.2                                 | 22.0                    |                           |                 |                     |  |   |              |      |    |
|                          |                                     |                 | Light load                          | 3.0                                 | 24.0                    |                           |                 |                     |  |   |              |      |    |
| 3-phase 400-V class      | 0.4                                 | 3G3MX2-A4004-V1 | Heavy load                          | 0.4                                 | 1.8                     | 3G3AX-AL4025              | 7.7             | 12                  | -10 to 50°C                            | At an altitude of 1,000 m max.; indoors (without corrosive gases or dust) |              |      |    |
|                          |                                     |                 | Light load                          | 0.75                                | 2.1                     |                           |                 |                     |  |   |              |      |    |
|                          | 0.75                                | 3G3MX2-A4007-V1 | Heavy load                          | 0.75                                | 3.6                     |                           |                 |                     |  |   |              |      |    |
|                          |                                     |                 | Light load                          | 1.5                                 | 4.3                     |                           |                 |                     |  |   |              |      |    |
|                          | 1.5                                 | 3G3MX2-A4015-V1 | Heavy load                          | 1.5                                 | 5.2                     |                           |                 |                     |  |   |              |      |    |
|                          |                                     |                 | Light load                          | 2.2                                 | 5.9                     |                           |                 |                     |  |   |              |      |    |
|                          | 2.2                                 | 3G3MX2-A4022-V1 | Heavy load                          | 2.2                                 | 6.5                     |                           |                 |                     |  |   | 3G3AX-AL4055 | 3.5  | 25 |
|                          |                                     |                 | Light load                          | 3.0                                 | 8.1                     |                           |                 |                     |  |   |              |      |    |
|                          | 3.0                                 | 3G3MX2-A4030-V1 | Heavy load                          | 3.0                                 | 7.7                     |                           |                 |                     |  |   |              |      |    |
|                          |                                     |                 | Light load                          | 4.0                                 | 9.4                     |                           |                 |                     |  |   |              |      |    |
|                          | 4.0                                 | 3G3MX2-A4040-V1 | Heavy load                          | 4.0                                 | 11.0                    |                           |                 |                     |  |   | 3G3AX-AL4110 | 1.3  | 50 |
|                          |                                     |                 | Light load                          | 5.5                                 | 13.3                    |                           |                 |                     |  |   |              |      |    |
| 5.5                      | 3G3MX2-A4055-V1                     | Heavy load      | 5.5                                 | 16.9                                |                         |                           |                 |                     |  |   |              |      |    |
|                          |                                     | Light load      | 7.5                                 | 20.0                                |                         |                           |                 |                     |  |   |              |      |    |
| 7.5                      | 3G3MX2-A4075-V1                     | Heavy load      | 7.5                                 | 18.8                                | 3G3AX-AL4220            | 0.74                      | 60              |                     |  |   |              |      |    |
|                          |                                     | Light load      | 11                                  | 24.0                                |                         |                           |                 |                     |  |   |              |      |    |
| 11                       | 3G3MX2-A4110-V1                     | Heavy load      | 11                                  | 29.4                                |                         |                           |                 |                     |  |   |              |      |    |
|                          |                                     | Light load      | 15                                  | 38.0                                |                         |                           |                 |                     |  |   |              |      |    |
| 15                       | 3G3MX2-A4150-V1                     | Heavy load      | 15                                  | 35.9                                | 3G3AX-AL4330            | 0.36                      | 90              |                     |  |   |              |      |    |
|                          |                                     | Light load      | 18.5                                | 44.0                                |                         |                           |                 |                     |  |   |              |      |    |

# Multi-function Compact Inverter MX2-Series V1 type

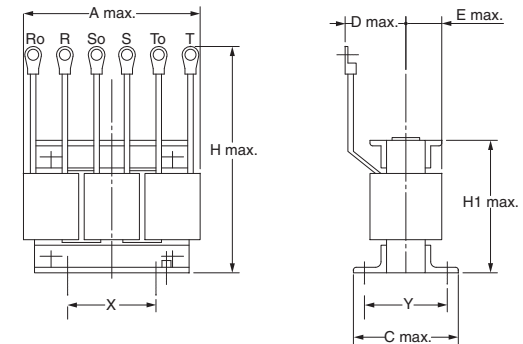
## Dimensions (Unit: mm)

| Inverter input power supply                     | Model        | Applicable motor capacity (kW) | Dimensions (mm) |     |    |    |     |     |     |     |   |     |      | Weight (kg) |
|---|--------------|--------------------------------|-----------------|-----|----|----|-----|-----|-----|-----|---|-----|------|-------------|
|   |              |                                | A               | C   | D  | E  | H   | H1  | X   | Y   | J | K   | W    |             |
| 3-phase<br>200 VAC<br>(Single-phase<br>200 VAC) | 3G3AX-AL2025 | 0.1 to 1.5                     | 120             | 82  | 60 | 40 | 150 | 94  | 50  | 67  | 6 | 4   | 9.5  | 2.8         |
|   | 3G3AX-AL2055 | 2.2 to 3.7                     | 120             | 98  | 60 | 40 | 150 | 94  | 50  | 75  | 6 | 4   | 9.5  | 4.0         |
|   | 3G3AX-AL2110 | 5.5, 7.5                       | 150             | 103 | 70 | 55 | 170 | 108 | 60  | 80  | 6 | 5.3 | 12.0 | 5.0         |
|   | 3G3AX-AL2220 | 11, 15                         | 180             | 113 | 75 | 55 | 190 | 140 | 90  | 90  | 6 | 8.4 | 16.5 | 10.0        |
|   | 3G3AX-AL2330 | 18.5                           | 180             | 113 | 85 | 60 | 230 | 140 | 125 | 90  | 6 | 8.4 | 22.0 | 11.0        |
| 3-phase<br>400 VAC                              | 3G3AX-AL4025 | 0.4 to 1.5                     | 130             | 82  | 60 | 40 | 150 | 94  | 50  | 67  | 6 | 4   | 9.5  | 2.7         |
|   | 3G3AX-AL4055 | 2.2, 3.7                       | 130             | 98  | 60 | 40 | 150 | 94  | 50  | 75  | 6 | 5   | 12.5 | 4.0         |
|   | 3G3AX-AL4110 | 5.5, 7.5                       | 150             | 116 | 75 | 55 | 170 | 106 | 60  | 98  | 6 | 5   | 12.5 | 6.0         |
|   | 3G3AX-AL4220 | 11, 15                         | 180             | 103 | 75 | 55 | 190 | 140 | 100 | 80  | 6 | 5.3 | 12.0 | 10.0        |
|   | 3G3AX-AL4330 | 18.5                           | 180             | 123 | 85 | 60 | 230 | 140 | 100 | 100 | 6 | 6.4 | 16.5 | 11.5        |

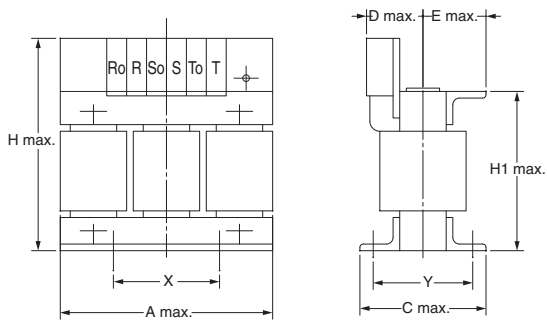
3G3AX-AL2025  
3G3AX-AL2055



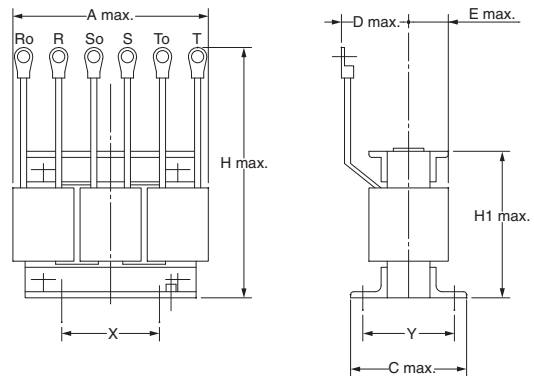
3G3AX-AL2110/3G3AX-AL2220  
3G3AX-AL2330



3G3AX-AL4025/3G3AX-AL4055  
3G3AX-AL4110



3G3AX-AL4220/3G3AX-AL4330



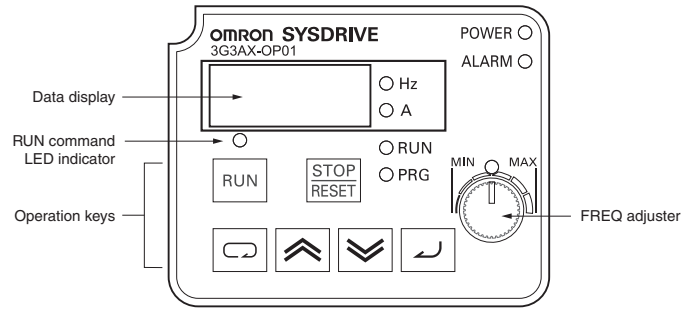
## Digital Operator

Used to set parameters, perform various monitoring, and start and stop the Inverter.

### 3G3AX-OP01



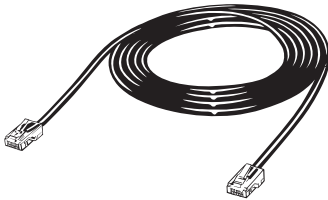
### Dimensions



|                   |  |
|-------------------|--|
| <b>Dimensions</b> | Height (55 mm) × Width (70 mm) × Depth (10 mm) |
|-------------------|--|

## Digital operator extension cable 3G3AX-OPCN□

Used to install the Digital Operator away from the Inverter.



3G3AX-OPCN1 (Cable length: 1 m)  
3G3AX-OPCN3 (Cable length: 3 m)

---

# Ordering Information

---

|   |    |
|---|----|
| ■ System Configuration.....                     | 33 |
| ■ Interpreting Model Numbers .....              | 34 |
| ■ Ordering Information .....                    | 34 |
| 3G3MX2 Inverter Models .....                    | 34 |
| Communication Unit.....                         | 34 |
| Related Options .....                           | 35 |
| Recommended EtherCAT Communications Cables..... | 40 |
| Software .....                                  | 41 |
| ■ Overview of Inverter Selection .....          | 42 |
| ■ Related Manuals.....                          | 46 |

Sysmac is a trademark or registered trademark of OMRON Corporation in Japan and other countries for OMRON factory automation products.

Windows is either registered trademarks or trademarks of Microsoft Corporation in the United States and/or other countries.

EtherCAT® is registered trademark and patented technology, licensed by Beckhoff Automation GmbH, Germany. CompoNet™ and DeviceNet™ are the trademarks of ODVA.

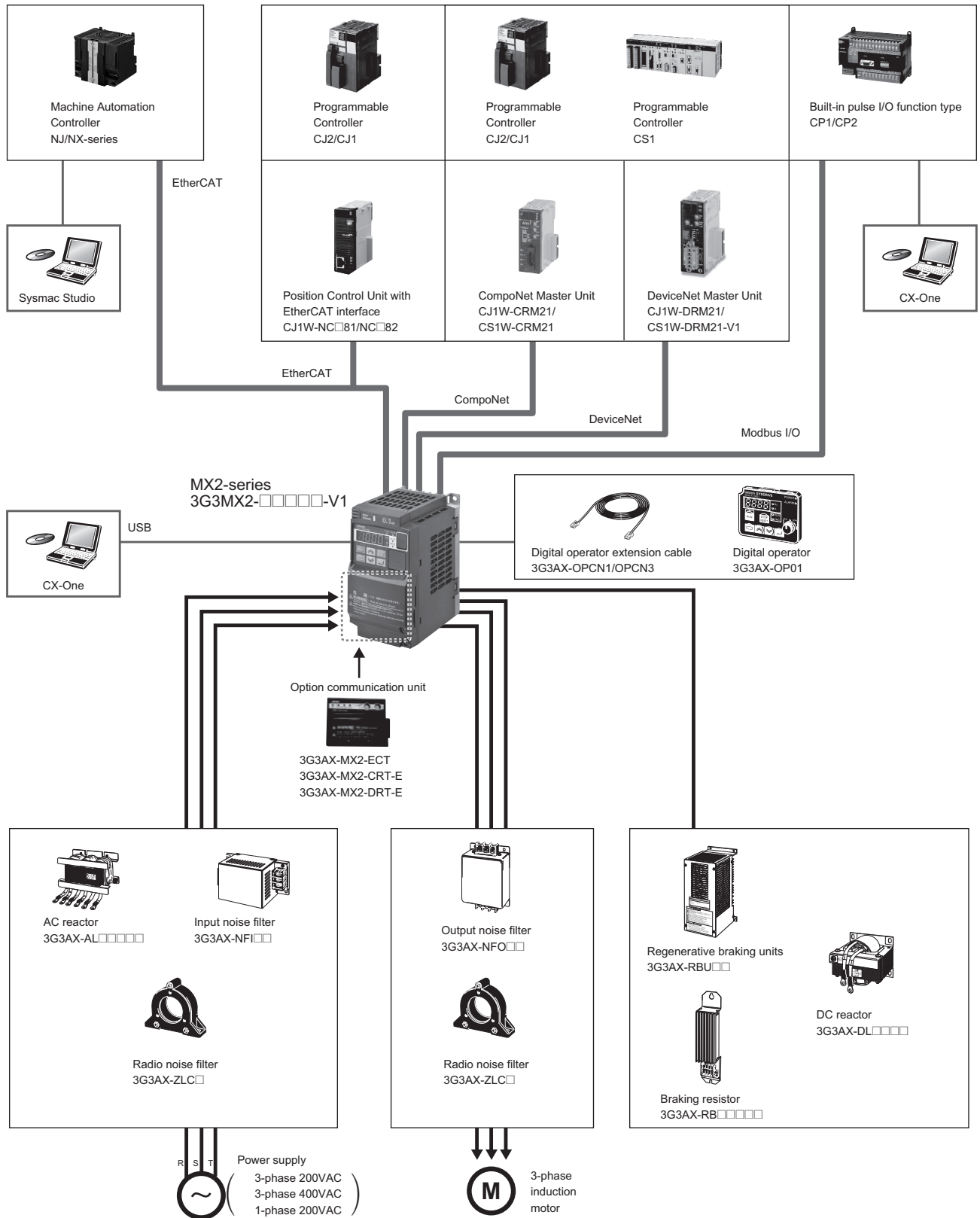
Other company names and product names in this document are the trademarks or registered trademarks of their respective companies.

The product photographs and figures that are used in this catalog may vary somewhat from the actual products.

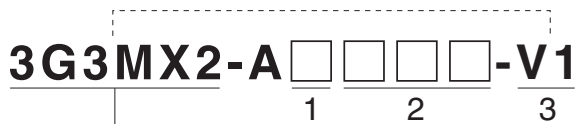
Microsoft product screen shot(s) reprinted with permission from Microsoft Corporation.



System Configuration



## Interpreting Model Numbers



MX2 Series V1 type

1) Voltage class

|   |                               |
|---|-------------------------------|
| B | 1-phase 200 VAC (200-V class) |
| 2 | 3-phase 200 VAC (200-V class) |
| 4 | 3-phase 400 VAC (400-V class) |

2) Max. applicable motor capacity (CT)

|     |         |
|-----|---------|
| 001 | 0.1 kW  |
| 002 | 0.2 kW  |
| 004 | 0.4 kW  |
| 007 | 0.75 kW |
| 015 | 1.5 kW  |
| 022 | 2.2 kW  |
| 030 | 3.0 kW  |
| 037 | 3.7 kW  |
| 040 | 4.0 kW  |
| 055 | 5.5 kW  |
| 075 | 7.5 kW  |
| 110 | 11 kW   |
| 150 | 15 kW   |

3) Area

|      |   |
|------|---|
| -V1  | Japan and areas other than China and Europe |
| -ZV1 | China                                       |
| -E   | Europe                                      |

## Ordering Information

### 3G3MX2 Inverter Models

**Note:** Inverters with model numbers ending in "-V1" are designed to be used in areas other than China and Europe. Refer to the above "Interpreting Model Numbers" for the model numbers for China and Europe.

| Rated voltage   | Enclosure ratings | Max. applicable motor capacity |                | Model           |
|-----------------|-------------------|--------------------------------|----------------|-----------------|
|                 |                   | CT: Heavy load                 | VT: Light load |                 |
| 3-phase 200 VAC | IP20              | 0.1kW                          | 0.2 kW         | 3G3MX2-A2001-V1 |
|                 |                   | 0.2 kW                         | 0.4 kW         | 3G3MX2-A2002-V1 |
|                 |                   | 0.4 kW                         | 0.75 kW        | 3G3MX2-A2004-V1 |
|                 |                   | 0.75 kW                        | 1.1 kW         | 3G3MX2-A2007-V1 |
|                 |                   | 1.5 kW                         | 2.2 kW         | 3G3MX2-A2015-V1 |
|                 |                   | 2.2 kW                         | 3.0 kW         | 3G3MX2-A2022-V1 |
|                 |                   | 3.7 kW                         | 5.5 kW         | 3G3MX2-A2037-V1 |
|                 |                   | 5.5 kW                         | 7.5 kW         | 3G3MX2-A2055-V1 |
|                 |                   | 7.5 kW                         | 11 kW          | 3G3MX2-A2075-V1 |
|                 |                   | 11 kW                          | 15 kW          | 3G3MX2-A2110-V1 |
| 3-phase 400 VAC | IP20              | 0.4 kW                         | 0.75 kW        | 3G3MX2-A4004-V1 |
|                 |                   | 0.75 kW                        | 1.5 kW         | 3G3MX2-A4007-V1 |
|                 |                   | 1.5 kW                         | 2.2 kW         | 3G3MX2-A4015-V1 |
|                 |                   | 2.2 kW                         | 3.0 kW         | 3G3MX2-A4022-V1 |
|                 |                   | 3.0 kW                         | 4.0 kW         | 3G3MX2-A4030-V1 |
|                 |                   | 4.0 kW                         | 5.5 kW         | 3G3MX2-A4040-V1 |
|                 |                   | 5.5 kW                         | 7.5 kW         | 3G3MX2-A4055-V1 |
|                 |                   | 7.5 kW                         | 11 kW          | 3G3MX2-A4075-V1 |
|                 |                   | 11 kW                          | 15 kW          | 3G3MX2-A4110-V1 |
|                 |                   | 15 kW                          | 18.5 kW        | 3G3MX2-A4150-V1 |
| 1-phase 200 VAC | IP20              | 0.1 kW                         | 0.2 kW         | 3G3MX2-AB001-V1 |
|                 |                   | 0.2 kW                         | 0.4 kW         | 3G3MX2-AB002-V1 |
|                 |                   | 0.4 kW                         | 0.55 kW        | 3G3MX2-AB004-V1 |
|                 |                   | 0.75 kW                        | 1.1 kW         | 3G3MX2-AB007-V1 |
|                 |                   | 1.5 kW                         | 2.2 kW         | 3G3MX2-AB015-V1 |
|                 |                   | 2.2 kW                         | 3.0 kW         | 3G3MX2-AB022-V1 |

## Communication Unit

| Name                         | Model           |
|------------------------------|-----------------|
| EtherCAT Communication Unit  | 3G3AX-MX2-ECT   |
| CompoNet Communication Unit  | 3G3AX-MX2-CRT-E |
| DeviceNet Communication Unit | 3G3AX-MX2-DRT-E |

## Related Options

| Name                       | Specifications        |   | Model         |
|----------------------------|-----------------------|---|---------------|
| Regenerative Braking Units | 3-phase 200 VAC       | General purpose with Braking resistor           | 3G3AX-RBU21   |
|                            |                       | High Regeneration purpose with Braking resistor | 3G3AX-RBU22   |
|                            | 3-phase 400 VAC       | General purpose with Braking resistor           | 3G3AX-RBU41   |
| Braking Resistor           | Compact type          | Resistor 120 W, 180 Ω                           | 3G3AX-RBA1201 |
|                            |                       | Resistor 120 W, 100 Ω                           | 3G3AX-RBA1202 |
|                            |                       | Resistor 120 W, 5 Ω                             | 3G3AX-RBA1203 |
|                            |                       | Resistor 120 W, 35 Ω                            | 3G3AX-RBA1204 |
|                            | Standard type         | Resistor 200 W, 180 Ω                           | 3G3AX-RBB2001 |
|                            |                       | Resistor 200 W, 100 Ω                           | 3G3AX-RBB2002 |
|                            |                       | Resistor 300 W, 50 Ω                            | 3G3AX-RBB3001 |
|                            |                       | Resistor 400 W, 35 Ω                            | 3G3AX-RBB4001 |
|                            | Medium capacity type  | Resistor 400 W, 50 Ω                            | 3G3AX-RBC4001 |
|                            |                       | Resistor 600 W, 35 Ω                            | 3G3AX-RBC6001 |
|                            | Resistor 1200 W, 17 Ω | 3G3AX-RBC12001                                  |               |

## Regenerative Braking Unit and Braking Resistor Combination

| Inverter    |                                    |                                    | Usage conditions |                                   | Regenerative braking unit |                 | Braking resistor |                 | Connection configuration | Restrictions                         |                                 |
|-------------|------------------------------------|------------------------------------|------------------|-----------------------------------|---------------------------|-----------------|------------------|-----------------|--------------------------|--------------------------------------|---------------------------------|
| Voltage     | Max.applicable motor capacity (kW) | Model                              | %ED *1 [%]       | Approximate braking torque [% *2] | Model                     | Number of units | Model            | Number of units |                          | Allowable continuous braking time(s) | Min. connectable resistance [Ω] |
| 200-V Class | 0.1                                | 3G3MX2-A2001-V1<br>3G3MX2-AB001-V1 | 3.0%             | 220%                              | Built-in Inverter         |                 | 3G3AX-RBA1201    | 1               | 1                        | 20                                   | 100                             |
|             |                                    |                                    | 10.0%            | 220%                              |                           |                 | 3G3AX-RBB2001    | 1               | 1                        | 30                                   | 100                             |
|             | 0.2                                | 3G3MX2-A2002-V1<br>3G3MX2-AB002-V1 | 3.0%             | 220%                              | Built-in Inverter         |                 | 3G3AX-RBA1201    | 1               | 1                        | 20                                   | 100                             |
|             |                                    |                                    | 10.0%            | 220%                              |                           |                 | 3G3AX-RBB2001    | 1               | 1                        | 30                                   | 100                             |
|             | 0.4                                | 3G3MX2-A2004-V1<br>3G3MX2-AB004-V1 | 3.0%             | 220%                              | Built-in Inverter         |                 | 3G3AX-RBA1201    | 1               | 1                        | 20                                   | 100                             |
|             |                                    |                                    | 10.0%            | 220%                              |                           |                 | 3G3AX-RBB2001    | 1               | 1                        | 30                                   | 100                             |
|             | 0.75                               | 3G3MX2-A2007-V1<br>3G3MX2-AB007-V1 | 3.0%             | 120%                              | Built-in Inverter         |                 | 3G3AX-RBA1201    | 1               | 1                        | 20                                   | 50                              |
|             |                                    |                                    | 10.0%            | 120%                              |                           |                 | 3G3AX-RBB2001    | 1               | 1                        | 30                                   | 50                              |
|             | 1.5                                | 3G3MX2-A2015-V1<br>3G3MX2-AB015-V1 | 2.5%             | 110%                              | Built-in Inverter         |                 | 3G3AX-RBA1202    | 1               | 1                        | 12                                   | 50                              |
|             |                                    |                                    | 10.0%            | 215%                              |                           |                 | 3G3AX-RBC4001    | 1               | 1                        | 10                                   | 50                              |
|             | 2.2                                | 3G3MX2-A2022-V1<br>3G3MX2-AB022-V1 | 3.0%             | 150%                              | Built-in Inverter         |                 | 3G3AX-RBB3001    | 1               | 1                        | 30                                   | 35                              |
|             |                                    |                                    | 10.0%            | 150%                              |                           |                 | 3G3AX-RBC4001    | 1               | 1                        | 10                                   | 35                              |
|             | 3.7                                | 3G3MX2-A2037-V1                    | 3.0%             | 125%                              | Built-in Inverter         |                 | 3G3AX-RBB4001    | 1               | 1                        | 20                                   | 35                              |
|             |                                    |                                    | 10.0%            | 125%                              |                           |                 | 3G3AX-RBC6001    | 1               | 1                        | 10                                   | 35                              |
|             | 5.5                                | 3G3MX2-A2055-V1                    | 3.0%             | 120%                              | Built-in Inverter         |                 | 3G3AX-RBB3001    | 2               | 2                        | 30                                   | 20                              |
|             |                                    |                                    | 10.0%            | 120%                              |                           |                 | 3G3AX-RBC4001    | 2               | 2                        | 10                                   | 20                              |
|             | 7.5                                | 3G3MX2-A2075-V1                    | 3.0%             | 125%                              | Built-in Inverter         |                 | 3G3AX-RBB4001    | 2               | 2                        | 20                                   | 17                              |
|             |                                    |                                    | 10.0%            | 125%                              |                           |                 | 3G3AX-RBC6001    | 2               | 2                        | 10                                   | 17                              |
| 11          | 3G3MX2-A2110-V1                    | 3.0%                               | 90%              | Built-in Inverter                 |                           | 3G3AX-RBC12001  | 1                | 1               | 10                       | 17                                   |                                 |
|             |                                    | 10.0%                              | 90%              |                                   |                           | 3G3AX-RBC12001  | 1                | 1               | 10                       | 17                                   |                                 |
|             |                                    | 10.0%                              | 125%             |                                   |                           | 3G3AX-RBU23 *3  | 1                | 14              | 10                       | 4                                    |                                 |
| 15          | 3G3MX2-A2150-V1                    | 3.0%                               | 110%             | Built-in Inverter                 |                           | 3G3AX-RBB3001   | 5                | 7               | 30                       | 10                                   |                                 |
|             |                                    | 10.0%                              | 110%             |                                   |                           | 3G3AX-RBC4001   | 5                | 7               | 10                       | 10                                   |                                 |

# Multi-function Compact Inverter MX2-Series V1 type

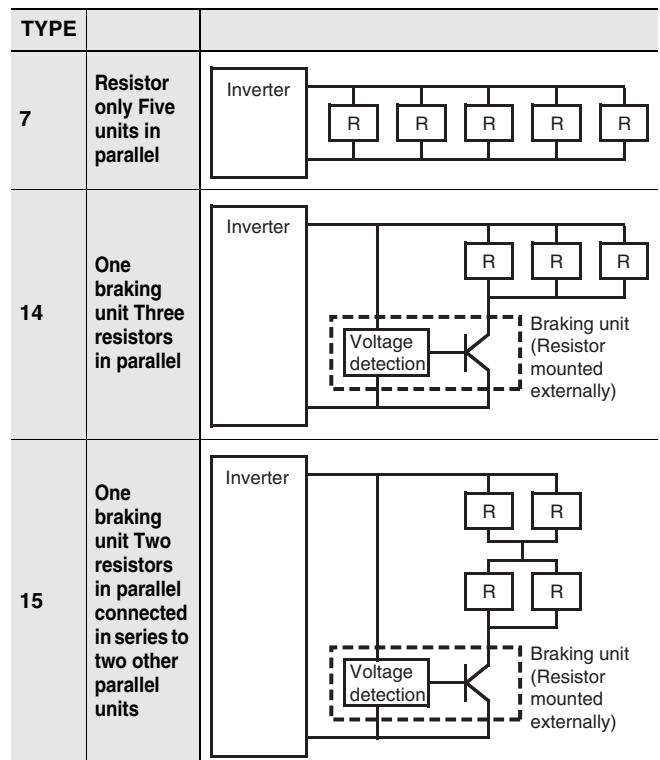
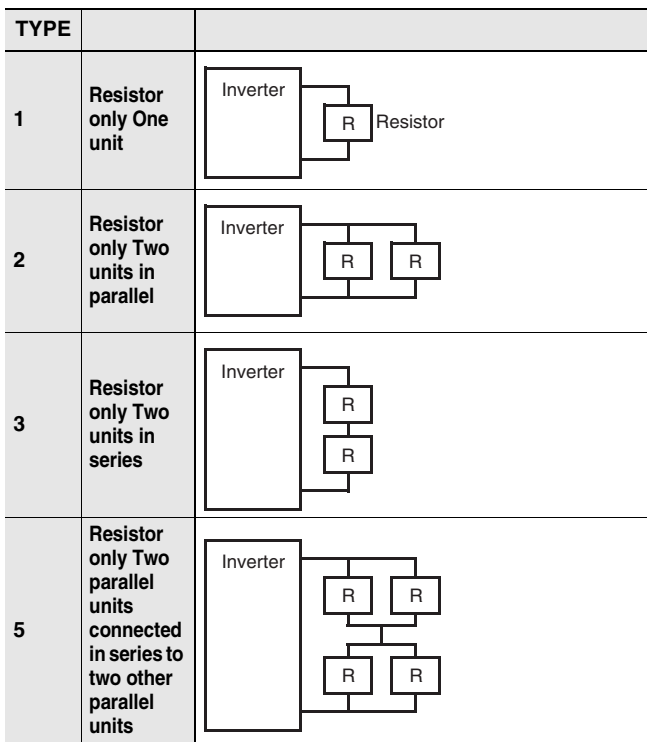
| Inverter    |                                    |                 | Usage conditions |                                   | Regenerative braking unit |                 | Braking resistor |                 | Connection configuration | Restrictions                         |                                 |
|-------------|------------------------------------|-----------------|------------------|-----------------------------------|---------------------------|-----------------|------------------|-----------------|--------------------------|--------------------------------------|---------------------------------|
| Voltage     | Max.applicable motor capacity (kW) | Model           | %ED *1 [%]       | Approximate braking torque [% *2] | Model                     | Number of units | Model            | Number of units |                          | Allowable continuous braking time(s) | Min. connectable resistance [Ω] |
| 400-V Class | 0.4                                | 3G3MX2-A4004-V1 | 3.0%             | 220%                              | Built-in Inverter         |                 | 3G3AX-RBA1201    | 2               | 3                        | 20                                   | 180                             |
|             |                                    |                 | 10.0%            | 220%                              |                           |                 | 3G3AX-RBB2001    | 2               |                          | 30                                   | 180                             |
|             | 0.75                               | 3G3MX2-A4007-V1 | 3.0%             | 220%                              | Built-in Inverter         |                 | 3G3AX-RBA1201    | 2               | 3                        | 20                                   | 180                             |
|             |                                    |                 | 10.0%            | 220%                              |                           |                 | 3G3AX-RBB2001    | 2               |                          | 30                                   | 180                             |
|             | 1.5                                | 3G3MX2-A4015-V1 | 3.0%             | 120%                              | Built-in Inverter         |                 | 3G3AX-RBA1201    | 2               | 3                        | 20                                   | 180                             |
|             |                                    |                 | 10.0%            | 120%                              |                           |                 | 3G3AX-RBB2001    | 2               |                          | 30                                   | 180                             |
|             | 2.2                                | 3G3MX2-A4022-V1 | 2.5%             | 150%                              | Built-in Inverter         |                 | 3G3AX-RBA1202    | 2               | 3                        | 12                                   | 100                             |
|             |                                    |                 | 10.0%            | 220%                              |                           |                 | 3G3AX-RBC4001    | 2               |                          | 10                                   | 100                             |
|             | 3.0                                | 3G3MX2-A4030-V1 | 2.5%             | 110%                              | Built-in Inverter         |                 | 3G3AX-RBA1202    | 2               | 3                        | 12                                   | 100                             |
|             |                                    |                 | 10.0%            | 215%                              |                           |                 | 3G3AX-RBC4001    | 2               |                          | 10                                   | 100                             |
|             | 4.0                                | 3G3MX2-A4040-V1 | 3.0%             | 165%                              | Built-in Inverter         |                 | 3G3AX-RBB3001    | 2               | 3                        | 30                                   | 100                             |
|             |                                    |                 | 10.0%            | 165%                              |                           |                 | 3G3AX-RBC4001    | 2               |                          | 10                                   | 100                             |
|             | 5.5                                | 3G3MX2-A4055-V1 | 3.0%             | 120%                              | Built-in Inverter         |                 | 3G3AX-RBB3001    | 2               | 3                        | 30                                   | 70                              |
|             |                                    |                 | 10.0%            | 120%                              |                           |                 | 3G3AX-RBC4001    | 2               |                          | 10                                   | 70                              |
|             | 7.5                                | 3G3MX2-A4075-V1 | 3.0%             | 125%                              | Built-in Inverter         |                 | 3G3AX-RBB4001    | 2               | 3                        | 20                                   | 70                              |
|             |                                    |                 | 10.0%            | 125%                              |                           |                 | 3G3AX-RBC6001    | 2               |                          | 10                                   | 70                              |
|             | 11                                 | 3G3MX2-A4110-V1 | 3.0%             | 85%                               | Built-in Inverter         |                 | 3G3AX-RBB4001    | 2               | 3                        | 20                                   | 70                              |
|             |                                    |                 | 10.0%            | 85%                               |                           |                 | 3G3AX-RBC6001    | 2               |                          | 10                                   | 70                              |
| 10.0%       |                                    |                 | 120%             | 3G3AX-RBU41*3                     |                           |                 | 1                | 3G3AX-RBC4001   |                          | 4                                    | 15                              |
| 15          | 3G3MX2-A4150-V1                    | 3.0%            | 125%             | Built-in Inverter                 |                           | 3G3AX-RBB4001   | 4                | 5               | 20                       | 35                                   |                                 |
|             |                                    | 10.0%           | 125%             |                                   |                           | 3G3AX-RBC6001   | 4                |                 | 10                       | 35                                   |                                 |

\*1 %ED shows the ratio that can be used for braking (deceleration time) among operating time of one task period.

\*2 Approximate braking torque is shown in % of rating torque of the motor (100%).

\*3 Please remove the built-in resistor.

## Connection configuration



## Multi-function Compact Inverter MX2-Series V1 type

| Name               | Specifications of Inverter |                |                | Model                   |                         |
|--------------------|----------------------------|----------------|----------------|-------------------------|-------------------------|
|                    | Voltage class              | CT: Heavy load | VT: Light load |                         |                         |
| Radio Noise Filter | 3-phase 200 VAC            | 0.1 kW         | 0.2 kW         | 3G3AX-ZCL2              |                         |
|                    |                            | 0.2 kW         | 0.4 kW         |                         |                         |
|                    |                            | 0.4 kW         | 0.75 kW        |                         |                         |
|                    |                            | 0.75 kW        | 1.1 kW         |                         |                         |
|                    |                            | 1.5 kW         | 2.2 kW         |                         |                         |
|                    |                            | 2.2 kW         | 3.0 kW         |                         |                         |
|                    |                            | 3.7 kW         | 5.5 kW         |                         | 3G3AX-ZCL1 (3G3AX-ZCL2) |
|                    |                            | 5.5 kW         | 7.5 kW         |                         |                         |
|                    |                            | 7.5 kW         | 11 kW          |                         | 3G3AX-ZCL1              |
|                    | 11 kW                      | 15 kW          |                |                         |                         |
|                    | 15 kW                      | 18.5 kW        |                |                         |                         |
|                    | 1-phase 200 VAC            | 0.1 kW         | 0.2 kW         | 3G3AX-ZCL2              |                         |
|                    |                            | 0.2 kW         | 0.4 kW         |                         |                         |
|                    |                            | 0.4 kW         | 0.55 kW        |                         |                         |
|                    |                            | 0.75 kW        | 1.1 kW         |                         |                         |
|                    |                            | 1.5 kW         | 2.2 kW         |                         |                         |
|                    |                            | 2.2 kW         | 3.0 kW         |                         |                         |
|                    | 3-phase 400 VAC            | 0.4 kW         | 0.75 kW        | 3G3AX-ZCL2 (3G3AX-ZCL1) |                         |
|                    |                            | 0.75 kW        | 1.5 kW         |                         |                         |
|                    |                            | 1.5 kW         | 2.2 kW         |                         |                         |
|                    |                            | 2.2 kW         | 3.0 kW         |                         |                         |
|                    |                            | 3.0 kW         | 4.0 kW         |                         |                         |
|                    |                            | 4.0 kW         | 5.5 kW         |                         |                         |
|                    |                            | 5.5 kW         | 7.5 kW         |                         |                         |
|                    |                            | 7.5 kW         | 11 kW          |                         | 3G3AX-ZCL1              |
|                    |                            | 11 kW          | 15 kW          |                         |                         |
|                    | 15 kW                      | 18.5 kW        |                |                         |                         |
| Input Noise Filter | 3-phase 200 VAC            | 0.1 kW         | 0.2 kW         | 3G3AX-NFI21             |                         |
|                    |                            | 0.2 kW         | 0.4 kW         |                         |                         |
|                    |                            | 0.4 kW         | 0.75 kW        |                         |                         |
|                    |                            | 0.75 kW        | 1.1 kW         | 3G3AX-NFI22             |                         |
|                    |                            | 1.5 kW         | 2.2 kW         | 3G3AX-NFI23             |                         |
|                    |                            | 2.2 kW         | 3.0 kW         | 3G3AX-NFI24             |                         |
|                    |                            | 3.7 kW         | 5.5 kW         | 3G3AX-NFI25             |                         |
|                    |                            | 5.5 kW         | 7.5 kW         | 3G3AX-NFI26             |                         |
|                    |                            | 7.5 kW         | 11 kW          | 3G3AX-NFI27             |                         |
|                    | 11 kW                      | 15 kW          | 3G3AX-NFI28    |                         |                         |
|                    | 15 kW                      | 18.5 kW        |                |                         |                         |
|                    | 1-phase 200 VAC            | 0.1 kW         | 0.2 kW         | 3G3AX-NFI21             |                         |
|                    |                            | 0.2 kW         | 0.4 kW         | 3G3AX-NFI22             |                         |
|                    |                            | 0.4 kW         | 0.55 kW        | 3G3AX-NFI23             |                         |
|                    |                            | 0.75 kW        | 1.1 kW         | 3G3AX-NFI23 *           |                         |
|                    |                            | 1.5 kW         | 2.2 kW         | 3G3AX-NFI23 *           |                         |
|                    |                            | 2.2 kW         | 3.0 kW         | 3G3AX-NFI24             |                         |
|                    | 3-phase 400 VAC            | 0.4 kW         | 0.75 kW        | 3G3AX-NFI41             |                         |
|                    |                            | 0.75 kW        | 1.5 kW         |                         |                         |
|                    |                            | 1.5 kW         | 2.2 kW         |                         |                         |
|                    |                            | 2.2 kW         | 3.0 kW         | 3G3AX-NFI42             |                         |
|                    |                            | 3.0 kW         | 4.0 kW         | 3G3AX-NFI43             |                         |
|                    |                            | 4.0 kW         | 5.5 kW         |                         |                         |
|                    |                            | 5.5 kW         | 7.5 kW         |                         |                         |
|                    |                            | 7.5 kW         | 11 kW          | 3G3AX-NFI44             |                         |
|                    |                            | 11 kW          | 15 kW          | 3G3AX-NFI45             |                         |
|                    | 15 kW                      | 18.5 kW        | 3G3AX-NFI46    |                         |                         |

\* Only the CT rating is supported.

# Multi-function Compact Inverter MX2-Series V1 type

| Name                | Specifications of Inverter |                 |                 | Model       |                |                |
|---------------------|----------------------------|-----------------|-----------------|-------------|----------------|----------------|
|                     | Voltage class              | CT: Heavy load  | VT: Light load  |             |                |                |
| Output Noise Filter | 3-phase 200 VAC            | 0.1 kW          | 0.2 kW          | 3G3AX-NFO01 |                |                |
|                     |                            | 0.2 kW          | 0.4 kW          |             |                |                |
|                     |                            | 0.4 kW          | 0.75 kW         |             |                |                |
|                     |                            | 1-phase 200 VAC | 0.75 kW         | 1.1 kW      | 3G3AX-NFO02    |                |
|                     |                            |                 | 1.5 kW          | 2.2 kW      |                |                |
|                     |                            |                 | 2.2 kW          | 3.0 kW      |                |                |
|                     |                            |                 | 3-phase 400 VAC | 3.7 kW      | 5.5 kW         | 3G3AX-NFO03    |
|                     |                            |                 |                 | 5.5 kW      | 7.5 kW         |                |
|                     |                            |                 |                 | 7.5 kW      | 11 kW          |                |
|                     | 3-phase 400 VAC            |                 |                 | 11 kW       | 15 kW          | 3G3AX-NFO04    |
|                     |                            |                 |                 | 0.1 kW      | 0.2 kW         |                |
|                     |                            |                 |                 | 0.2 kW      | 0.4 kW         |                |
|                     |                            | 3-phase 400 VAC |                 | 0.4 kW      | 0.55 kW        | 3G3AX-NFO02    |
|                     |                            |                 |                 | 0.75 kW     | 1.1 kW         |                |
|                     |                            |                 |                 | 1.5 kW      | 2.2 kW         |                |
|                     |                            |                 | 3-phase 400 VAC | 2.2 kW      | 3.0 kW         | 3G3AX-NFO03    |
|                     |                            |                 |                 | 3.0 kW      | 4.0 kW         |                |
|                     |                            |                 |                 | 4.0 kW      | 5.5 kW         |                |
|                     | 3-phase 400 VAC            |                 |                 | 5.5 kW      | 7.5 kW         | 3G3AX-NFO03    |
|                     |                            |                 |                 | 7.5 kW      | 11 kW          |                |
|                     |                            |                 |                 | 11 kW       | 15 kW          |                |
|                     |                            | 3-phase 400 VAC |                 | 15 kW       | 18.5 kW        | 3G3AX-NFO04    |
|                     |                            |                 |                 | 0.1 kW      | 0.2 kW         |                |
|                     |                            |                 |                 | 0.2 kW      | 0.4 kW         |                |
| DC Reactor          |                            |                 | 3-phase 200 VAC | 0.4 kW      | 0.75 kW        | 3G3AX-DL2007   |
|                     |                            |                 |                 | 0.75 kW     | 1.1 kW         |                |
|                     |                            |                 |                 | 1.5 kW      | 2.2 kW         |                |
|                     | 1-phase 200 VAC            |                 |                 | 2.2 kW      | 3.0 kW         | 3G3AX-DL2037   |
|                     |                            |                 |                 | 3.7 kW      | 5.5 kW         |                |
|                     |                            |                 |                 | 5.5 kW      | 7.5 kW         |                |
|                     |                            | 3-phase 400 VAC |                 | 7.5 kW      | 11 kW          | 3G3AX-DL2110   |
|                     |                            |                 |                 | 11 kW       | 15 kW          |                |
|                     |                            |                 |                 | 15 kW       | 18.5 kW        |                |
|                     |                            |                 | 3-phase 400 VAC | 0.1 kW      | 0.2 kW         | 3G3AX-DL2002   |
|                     |                            |                 |                 | 0.2 kW      | 0.4 kW         |                |
|                     |                            |                 |                 | 0.4 kW      | 0.55 kW        |                |
|                     | 3-phase 400 VAC            |                 |                 | 0.75 kW     | 1.1 kW         | 3G3AX-DL2015   |
|                     |                            |                 |                 | 1.5 kW      | 2.2 kW         |                |
|                     |                            |                 |                 | 2.2 kW      | 3.0 kW         |                |
|                     |                            | 3-phase 400 VAC |                 | 3.0 kW      | 4.0 kW         | 3G3AX-DL4037   |
|                     |                            |                 |                 | 4.0 kW      | 5.5 kW         |                |
|                     |                            |                 |                 | 5.5 kW      | 7.5 kW         |                |
|                     |                            |                 | 3-phase 400 VAC | 7.5 kW      | 11 kW          | 3G3AX-DL4075 * |
|                     |                            |                 |                 | 11 kW       | 15 kW          |                |
|                     |                            |                 |                 | 15 kW       | 18.5 kW        |                |
|                     | 3-phase 400 VAC            |                 |                 | 0.4 kW      | 0.75 kW        | 3G3AX-DL4007   |
|                     |                            |                 |                 | 0.75 kW     | 1.5 kW         |                |
|                     |                            |                 |                 | 1.5 kW      | 2.2 kW         |                |
| 3-phase 400 VAC     |                            | 2.2 kW          |                 | 3.0 kW      | 3G3AX-DL4022   |                |
|                     |                            | 3.0 kW          |                 | 4.0 kW      |                |                |
|                     |                            | 4.0 kW          |                 | 5.5 kW      |                |                |
|                     |                            | 3-phase 400 VAC | 5.5 kW          | 7.5 kW      | 3G3AX-DL4075 * |                |
|                     |                            |                 | 7.5 kW          | 11 kW       |                |                |
|                     |                            |                 | 11 kW           | 15 kW       |                |                |
|                     | 3-phase 400 VAC            |                 | 15 kW           | 18.5 kW     | 3G3AX-DL4220   |                |
|                     |                            |                 | 0.1 kW          | 0.2 kW      |                |                |
|                     |                            |                 | 0.2 kW          | 0.4 kW      |                |                |
| 3-phase 400 VAC     |                            |                 | 0.4 kW          | 0.55 kW     | 3G3AX-DL2007   |                |
|                     |                            |                 | 0.75 kW         | 1.1 kW      |                |                |
|                     |                            |                 | 1.5 kW          | 2.2 kW      |                |                |
|                     |                            | 3-phase 400 VAC | 2.2 kW          | 3.0 kW      | 3G3AX-DL2037   |                |
|                     |                            |                 | 3.0 kW          | 4.0 kW      |                |                |
|                     |                            |                 | 4.0 kW          | 5.5 kW      |                |                |
|                     | 3-phase 400 VAC            |                 | 5.5 kW          | 7.5 kW      | 3G3AX-DL4075 * |                |
|                     |                            |                 | 7.5 kW          | 11 kW       |                |                |
|                     |                            |                 | 11 kW           | 15 kW       |                |                |
| 3-phase 400 VAC     |                            |                 | 15 kW           | 18.5 kW     | 3G3AX-DL4220   |                |

## Multi-function Compact Inverter MX2-Series V1 type

| Name       | Specifications of Inverter |                |                | Model          |
|------------|----------------------------|----------------|----------------|----------------|
|            | Voltage class              | CT: Heavy load | VT: Light load |                |
| AC Reactor | 3-phase 200 VAC            | 0.1 kW         | 0.2 kW         | 3G3AX-AL2025   |
|            |                            | 0.2 kW         | 0.4 kW         |                |
|            |                            | 0.4 kW         | 0.75 kW        |                |
|            |                            | 0.75 kW        | 1.1 kW         |                |
|            |                            | 1.5 kW         | 2.2 kW         | 3G3AX-AL2055   |
|            |                            | 2.2 kW         | 3.0 kW         | 3G3AX-AL2110   |
|            |                            | 3.7 kW         | 5.5 kW         | 3G3AX-AL2110 * |
|            |                            | 5.5 kW         | 7.5 kW         | 3G3AX-AL2220   |
|            |                            | 7.5 kW         | 11 kW          | 3G3AX-AL2220 * |
|            |                            | 11 kW          | 15 kW          | 3G3AX-AL2330   |
|            | 15 kW                      | 18.5 kW        |                |                |
|            | 1-phase 200 VAC            | 0.1 kW         | 0.2 kW         | 3G3AX-AL2025   |
|            |                            | 0.2 kW         | 0.4 kW         |                |
|            |                            | 0.4 kW         | 0.55 kW        |                |
|            |                            | 0.75 kW        | 1.1 kW         |                |
|            |                            | 1.5 kW         | 2.2 kW         | 3G3AX-AL2055 * |
|            |                            | 2.2 kW         | 3.0 kW         | 3G3AX-AL2110   |
|            | 3-phase 400 VAC            | 0.4 kW         | 0.75 kW        | 3G3AX-AL4025   |
|            |                            | 0.75 kW        | 1.5 kW         | 3G3AX-AL4055   |
|            |                            | 1.5 kW         | 2.2 kW         |                |
|            |                            | 2.2 kW         | 3.0 kW         |                |
|            |                            | 3.0 kW         | 4.0 kW         |                |
|            |                            | 4.0 kW         | 5.5 kW         | 3G3AX-AL4110   |
|            |                            | 5.5 kW         | 7.5 kW         | 3G3AX-AL4110 * |
|            |                            | 7.5 kW         | 11 kW          | 3G3AX-AL4220   |
|            |                            | 11 kW          | 15 kW          | 3G3AX-AL4220 * |
|            | 15 kW                      | 18.5 kW        | 3G3AX-AL4330   |                |

\* Only the CT rating is supported.

**Note:** When using the Inverter for light load rating, select the model with one size larger capacity (rated current).




## Multi-function Compact Inverter MX2-Series V1 type

| Name             | Cable length(m) | Model       |
|------------------|-----------------|-------------|
| Digital Operator | –               | 3G3AX-OP01  |
| Connection cable | 1m              | 3G3AX-OPCN1 |
|                  | 3m              | 3G3AX-OPCN3 |

### Recommended EtherCAT Communications Cables

Use Straight STP (shielded twisted-pair) cable of category 5 or higher with double shielding (braiding and aluminum foil tape) for EtherCAT.

#### Cable with Connectors

| Item  | Appearance  | Recommended manufacturer | Cable length(m) *1 | Model                |
|---|---|--------------------------|--------------------|----------------------|
| Cable with Connectors on Both Ends (RJ45/RJ45)<br>Standard RJ45 plugs type *1<br>Wire Gauge and Number of Pairs: AWG26, 4-pair cable<br>Cable Sheath material: LSZH *2<br>Cable color: Yellow *3                                      |  | OMRON                    | 0.3                | XS6W-6LSZH8SS30CM-Y  |
|   |   |                          | 0.5                | XS6W-6LSZH8SS50CM-Y  |
|   |   |                          | 1                  | XS6W-6LSZH8SS100CM-Y |
|   |   |                          | 2                  | XS6W-6LSZH8SS200CM-Y |
|   |   |                          | 3                  | XS6W-6LSZH8SS300CM-Y |
|   |   |                          | 5                  | XS6W-6LSZH8SS500CM-Y |
| Cable with Connectors on Both Ends (RJ45/RJ45)<br>Rugged RJ45 plugs type *1<br>Wire Gauge and Number of Pairs: AWG22, 2-pair cable<br>Cable color: Light blue   |  | OMRON                    | 0.3                | XS5W-T421-AMD-K      |
|   |   |                          | 0.5                | XS5W-T421-BMD-K      |
|   |   |                          | 1                  | XS5W-T421-CMD-K      |
|   |   |                          | 2                  | XS5W-T421-DMD-K      |
|   |   |                          | 5                  | XS5W-T421-GMD-K      |
|   |   |                          | 10                 | XS5W-T421-JMD-K      |
| Cable with Connectors on Both Ends (M12 Straight/RJ45)<br>Shield Strengthening Connector cable *4<br>M12/Smartclick Connectors<br>Rugged RJ45 plugs type<br>Wire Gauge and Number of Pairs: AWG22, 2-pair cable<br>Cable color: Black |  | OMRON                    | 0.5                | XS5W-T421-BMC-SS     |
|   |   |                          | 1                  | XS5W-T421-CMC-SS     |
|   |   |                          | 2                  | XS5W-T421-DMC-SS     |
|   |   |                          | 3                  | XS5W-T421-EMC-SS     |
|   |   |                          | 5                  | XS5W-T421-GMC-SS     |
|   |   |                          | 10                 | XS5W-T421-JMC-SS     |

\*1 Standard type cables length 0.2, 0.3, 0.5, 1, 1.5, 2, 3, 5, 7.5, 10, 15 and 20 m are available.

Rugged type cables length 0.3, 0.5, 1, 2, 3, 5, 10 and 15 m are available.

For details, refer to Cat.No.G019.

\*2 The lineup features Low Smoke Zero Halogen cables for in-cabinet use and PUR cables for out-of-cabinet use. Although the LSZH cable is single shielded, its communications and noise characteristics meet the standards.

\*3 Cables colors are available in blue, yellow, or Green.

\*4 For details, contact your OMRON representative.


#### Cables / Connectors

##### Wire Gauge and Number of Pairs: AWG24, 4-pair Cable

| Item            | Appearance | Recommended manufacturer | Model                         |
|-----------------|------------|--------------------------|-------------------------------|
| Cables          | –          | Hitachi Metals, Ltd.     | NETSTAR-C5E SAB 0.5 x 4P CP * |
|                 | –          | Kuramo Electric Co.      | KETH-SB *                     |
| RJ45 Connectors | –          | Panduit Corporation      | MPS588-C *                    |

\* We recommend you to use above cable and connector together.

##### Wire Gauge and Number of Pairs: AWG22, 2-pair Cable

| Item                    | Appearance  | Recommended manufacturer | Model          |
|-------------------------|---|--------------------------|----------------|
| Cables                  | –   | Kuramo Electric Co.      | KETH-PSB-OMR * |
|                         | –   | JMACS Japan Co., Ltd.    | PNET/B *       |
| RJ45 Assembly Connector |  | OMRON                    | XS6G-T421-1 *  |

\* We recommend you to use above cable and connector together.



## Software

### How to Select Required Support Software for Your Controller

The required Support Software depends on the Controller to connect. Please check the following table when purchasing the Support Software.

| Item              | Omron PLC System   | Omron Machine Automation Controller System   |
|-------------------|--|--|
| <b>Controller</b> | CS, CJ, CP, and other series   | NJ/NX-series   |
| <b>Inverter</b>   | Inverter MX2-series V1 type<br>Inverter MX2-series V1 type with EtherCAT Communication Unit (Applicable to the CJ series only.)<br>Inverter MX2-series V1 type with CompoNet Communication Unit<br>Inverter MX2-series V1 type with DeviceNet Communication Unit | Inverter MX2-series V1 type<br>Inverter MX2-series V1 type with EtherCAT Communication Unit<br>Inverter MX2-series V1 type with CompoNet Communication Unit<br>Inverter MX2-series V1 type with DeviceNet Communication Unit |
| <b>Software</b>   | FA Integrated Tool Package CX-One  | Automation Software Sysmac Studio  |

### FA Integrated Tool Package CX-One

| Product name                                      | Specifications  |                    |       | Model                 | Standards |
|---|---|--------------------|-------|-----------------------|-----------|
|   |   | Number of licenses | Media |                       |           |
| <b>FA Integrated Tool Package CX-One Ver. 4.□</b> | The CX-One is a comprehensive software package that integrates Support Software for OMRON PLCs and components.<br><br>CX-One runs on following OS.<br>Windows 7 (32-bit/64-bit version) / Windows 8 (32-bit/64-bit version) / Windows 8.1 (32-bit/64-bit version) / Windows 10 (32-bit/64-bit version)<br><br>CX-One Version.4.□ includes CX-Drive Ver.2.□.<br>For details, refer to the CX-One catalog (Cat. No. R134) | 1 license<br>*     | DVD   | <b>CXONE-AL01D-V4</b> | -         |

\* Multi licenses (3, 10, 30, or 50 licenses) and DVD media without licenses are also available for the CX-One.

### Automation Software Sysmac Studio

Please purchase a DVD and required number of licenses the first time you purchase the Sysmac Studio. DVDs and licenses are available individually. Each model of licenses does not include any DVD.

| Product name                                   | Specifications  |                    |                            | Model                   | Standards |
|--|---|--------------------|----------------------------|-------------------------|-----------|
|  |   | Number of licenses | Media                      |                         |           |
| <b>Sysmac Studio Standard Edition Ver.1.□□</b> | The Sysmac Studio is the software that provides an integrated environment for setting, programming, debugging and maintenance of machine automation controllers including the NJ/NX-series CPU Units, NY-series Industrial PC, EtherCAT Slave, and the HMI.<br><br>Sysmac Studio runs on the following OS. *1<br>Windows 7 (32-bit/64-bit version) / Windows 8 (32-bit/64-bit version) / Windows 8.1 (32-bit/64-bit version) / Windows 10 (32-bit/64-bit version) / Windows 11 (64-bit version)<br><br>The Sysmac Studio Standard Edition DVD includes Support Software to set up EtherNet/IP Units, DeviceNet slaves, Serial Communications Units, and Support Software for creating screens on HMIs (CX-Designer).<br>For details, refer to your OMRON website. | -<br>(Media only)  | Sysmac Studio (32 bit) DVD | <b>SYSMAC-SE200D</b>    | -         |
|  |   | -<br>(Media only)  | Sysmac Studio (64 bit) DVD | <b>SYSMAC-SE200D-64</b> | -         |
|  |   | 1 license<br>*2    | -                          | <b>SYSMAC-SE201L</b>    | -         |

\*1 Model "SYSMAC-SE200D-64" runs on Windows 10 (64 bit) or higher.

\*2 Multi licenses are available for the Sysmac Studio (3, 10, 30, or 50 licenses).

## Overview of Inverter Selection

For detail of Inverter selection, refer to the MX2 series V1 type User's Manual. (Man.No.I585).

### Motor Capacity Selection

Before selecting an inverter, first the motor should be chosen. In selecting the motor, first calculate the load inertia for the applications, and then calculate the required capacity and torque.

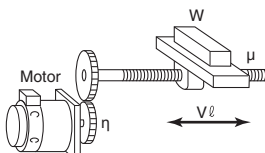
### Make a simple selection (use Formulas for the required output power)

This method of calculation helps select a motor by calculating the output (W) required by the motor to maintain its regular rotations. It does not include calculation of the effect of acceleration/deceleration. Therefore, make allowance for the calculated value to select a motor. This calculation method can be applied to applications that operate constantly such as fans, conveyers, agitators etc.

This calculation method must not be applied to the following applications:

- Those requiring instant start-up.
- Those that frequently repeat operation and stop.
- Those that have a large inertia at the power transfer part.
- Those that have an inefficient power transfer part.

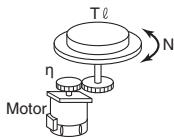
### ● For Straight-Line Operation: Normal Power P<sub>o</sub> (kW)



$$P_o = \frac{\mu \cdot W \cdot V\ell}{6120 \cdot \eta}$$

$\mu$ : Friction Coefficient  
 $W$ : Mass of Straight-Line travelling part (kg)  
 $V\ell$ : Speed of Straight-Line Travelling part (m/min)  
 $\eta$ : Decelerator (Transfer part) Efficiency

### ● For Rotating Operation: Normal Power P<sub>o</sub> (kW)



$$P_o \text{ (kW)} = \frac{2\pi \cdot T\ell \cdot N\ell}{60 \cdot \eta} \times 10^{-3}$$

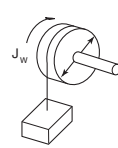
$T\ell$ : Load Torque (Load Shaft) (N-m)  
 $N\ell$ : Load Shaft Rotation Speed (r/min)  
 $\eta$ : Transfer part ( $\eta \leq 1$ )

### Detailed Selection Method (R.M.S Algorithm)

This method helps to select a motor by calculating the effective torque and maximum torque required to achieve a certain pattern of operation for the application. It selects a motor that is optimal for a particular operation pattern.

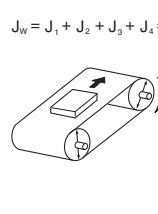
### ● Calculate the inertia with a Motor Shaft Conversion Value

Calculate inertias of all the components with the formula for inertia calculation shown below to convert them to a motor conversion value.



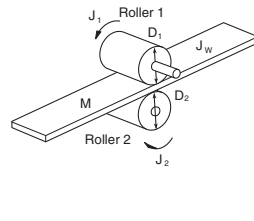
$$J_w = J_1 + J_2 = \left( \frac{M_1 \cdot D^2}{8} + \frac{M_2 \cdot D^2}{4} \right) \times 10^{-6} \text{ (kg-m}^2\text{)}$$

$J_w$ : Inertia (kg-m<sup>2</sup>)  
 $J_1$ : Cylinder Inertia (kg-m<sup>2</sup>)  
 $J_2$ : Inertia from Object (kg-m<sup>2</sup>)  
 $D$ : Diameter (mm)  
 $M_1$ : Mass of Cylinder 1 (kg)  
 $M_2$ : Mass of Object (kg)



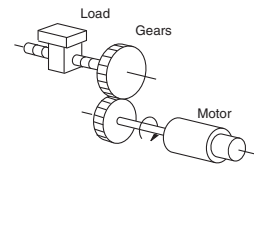
$$J_w = J_1 + J_2 + J_3 + J_4 = \left( \frac{M_1 \cdot D_1^2}{8} + \frac{M_2 \cdot D_2^2}{8} \cdot \frac{D_2^2}{D_1^2} + \frac{M_3 \cdot D_1^2}{4} + \frac{M_4 \cdot D_1^2}{4} \right) \times 10^{-6} \text{ (kg-m}^2\text{)}$$

$J_w$ : Inertia (kg-m<sup>2</sup>)  
 $J_1$ : Cylinder 1 Inertia (kg-m<sup>2</sup>)  
 $J_2$ : Inertia from Cylinder 2 (kg-m<sup>2</sup>)  
 $J_3$ : Inertia from Object (kg-m<sup>2</sup>)  
 $J_4$ : Inertia from Belt (kg-m<sup>2</sup>)  
 $D_1$ : Cylinder 1 Diameter (mm)  
 $D_2$ : Cylinder 2 Diameter (mm)  
 $M_1$ : Mass of Cylinder 1 (kg)  
 $M_2$ : Mass of Cylinder 2 (kg)  
 $M_3$ : Mass of Object (kg)  
 $M_4$ : Mass of Belt (kg)



$$J_w = J_1 + \left( \frac{D_1}{D_2} \right)^2 J_2 + \frac{M \cdot D_1^2}{4} \times 10^{-6} \text{ (kg-m}^2\text{)}$$

$J_w$ : System Inertia (kg-m<sup>2</sup>)  
 $J_1$ : Roller 1 Inertia (kg-m<sup>2</sup>)  
 $J_2$ : Roller 2 Inertia (kg-m<sup>2</sup>)  
 $D_1$ : Roller 1 Diameter (mm)  
 $D_2$ : Roller 2 Diameter (mm)  
 $M$ : Work Equivalent Mass (kg)



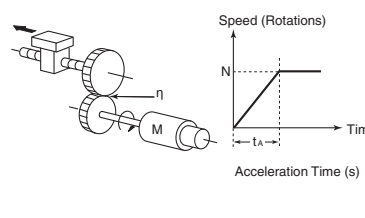
$$J_L = J_1 + G^2 (J_2 + J_w) \text{ (kg-m}^2\text{)}$$

$J_L$ : Load Inertia of Motor Shaft Conversion (kg-m<sup>2</sup>)  
 $J_w$ : Load Inertia (kg-m<sup>2</sup>)  
 $J_1$ : Gear Inertia on Motor Side (kg-m<sup>2</sup>)  
 $J_2$ : Gear Inertia on Load Side (kg-m<sup>2</sup>)  
 $Z_1$ : Number of Gear Teeth on Motor Side  
 $Z_2$ : Number of Gear Teeth on Load Side  
 Gear Ratio  $G = Z_1/Z_2$

### ● Calculate Motor Shaft Conversion Torque and Effective Torque

Calculate the acceleration torque from the load torque calculated from both the motor shaft conversion value and the motor rotor inertia. Then Combine this acceleration torque and the Load torque calculated from the friction force and the external force that are applied to the load. Now you get the required torque to operate a motor.

#### Acceleration Torque



Speed (Rotations)

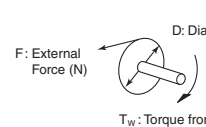
Acceleration Time (s)

Acceleration Torque ( $T_A$ )

$$T_A = \frac{2\pi N}{60 t_A} \left( J_M + \frac{J_L}{\eta} \right) \text{ (N-m)}$$

$T_A$ : Acceleration/Deceleration Torque (N-m)  
 $J_L$ : Motor Shaft Conversion Load Inertia (kg-m<sup>2</sup>)  
 $J_M$ : Inertia of Motor Itself (kg-m<sup>2</sup>)  
 $\eta$ : Gear Transmission Efficiency  
 $N$ : Motor Rotation Speed (r/min)

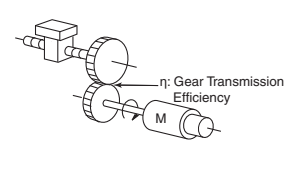
#### Motor Shaft Conversion Load Torque (External Force/Friction)



$$T_w = F \cdot \frac{D}{2} \times 10^{-3} \text{ (N-m)}$$

$F$ : External Force (N)  
 $D$ : Diameter (mm)  
 $T_w$ : Torque from External Force (N-m)

(Friction is generally,  
 $F = \mu W$   $\mu$ : Friction Coefficient  
 $W$ : Mass of Moving Part)



$$T_L = T_w \cdot \frac{G}{\eta} \text{ (N-m)}$$

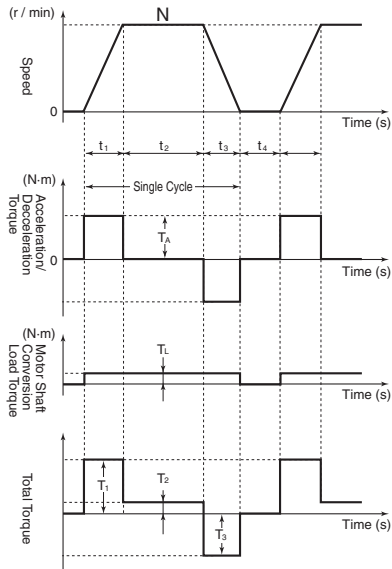
$T_L$ : Motor Shaft Conversion Load Torque (N-m)  
 $T_w$ : Load Torque (N-m)  
 $Z_1$ : Number of Gear Teeth on Motor Side  
 $Z_2$ : Number of Gear Teeth on Load Side  
 Gear (Deceleration) Ratio  $G = Z_1/Z_2$

## • Calculation of Total Torque and Effective Torque

Effective Torque:  $T_{RMS}$  (N·m)

$$= \sqrt{\frac{\sum (T_i)^2 \cdot t_i}{\sum t_i}} = \sqrt{\frac{T_1^2 \cdot t_1 + T_2^2 \cdot t_2 + T_3^2 \cdot t_3 + T_4^2 \cdot t_4}{t_1 + t_2 + t_3 + t_4}}$$

Maximum Torque:  $T_{MAX} = T_1 = T_A + T_L$



**Note:** Please make use of the Servo Motor selection software, which can calculate the motor shaft conversion inertia and effective/maximum torque, as above.

## • Motor Selection

Use the formula below to calculate the motor capacity from the effective torque and the maximum torque that were obtained above. Select the larger of the two generated values as the motor capacity. Select a motor the capacity of which is larger than the calculated value and makes allowance for an error.

### • Motor Capacity corresponding to Effective Torque

$$\text{Motor Capacity (kW)} = 1.048 \cdot N \cdot T_{RMS} \cdot 10^{-4}$$

N: Maximum Rotations (r/min)

### • Motor Capacity capable of Providing Maximum Torque

$$\text{Motor Capacity (kW)} = 1.048 \cdot N \cdot T_{MAX} \cdot 10^{-4} / 1.5$$

N: Maximum Rotations (r/min)

## Inverter Capacity Selection

Select an inverter that can be used for the selected motor in the process of "Motor Selection".

Generally, select an inverter which fits the maximum applicable motor capacity of the selected motor.

After selecting an inverter, check if it meets with all of the following conditions. If it does not, select an inverter that has a one class larger capacity and check the feasibility again.

**Motor Rated Current ≤ Inverter Rated Output Current**  
**Maximum Time of Continuous Torque Output Time in an Application ≤ 1 minute**

- Note:**
1. Where the inverter overload capacity is "120% of Rated Output Current for 1 minute", check it for 0.8 minute.
  2. Where a 0 Hz sensor-less vector control is being used, or where torque must be maintained for 0 (r/min) rotation speed and where 150% of the rated torque is frequently required, use an inverter which is one rank larger than the one selected by the above method.

## Outline of Braking Resistor Selection

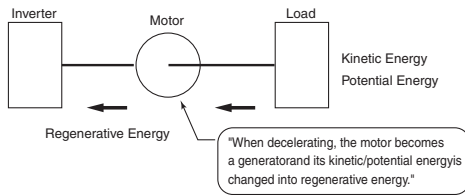
### Importance of Braking Resistor

If the regenerative energy generated in deceleration or descent in an application is too great, the main circuit of an inverter may have an increased voltage and it may be damaged.

Because the inverter usually contains the overvoltage LAD stop function, it is not actually damaged. However, the motor stops detecting an error, making a stable and continuous operation disabled. Therefore, you must discharge the regenerative energy outside of the inverter.

#### ● What is Regenerative Energy?

A load connected to a motor has kinetic energy when rotating, and potential energy when it is located in a high position. When the motor decelerates, or when the load descends, the energy is returned to an inverter. It is known as regeneration, and the energy generated by the phenomenon is known as regenerative energy.



#### ● Preventing Braking Resistance

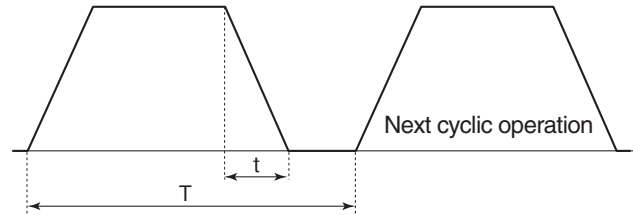
The following are methods to prevent the connection of braking resistance.

These methods will make the deceleration time increase, so check if it will not cause problems.

- Enable the deceleration stall prevention (enabled in factory settings) (It will automatically increase deceleration time not to cause an overvoltage to stop the motor).
- Set a longer deceleration time. (Cause the regenerative energy to decrease per unit of time.)
- Disable Free-Run. (Prevent the regenerative energy from returning to an inverter.)

### Make a Simple Selection for Braking Resistors

It can be a simple selecting method by using the ratio of time in which regenerative energy is produced in a normal operating pattern. Calculate the usage ratio from the following operating pattern.



$$\text{Usage Rate} = t/T \times 100 (\% \text{ ED})$$

t : Deceleration Time (Regenerative Time)

T : Single Cycle Operation Time

%ED is the unit used for a usage rate.

The usage rate is used as the ratio of deceleration time (regenerative operation time) to simplify the selection of the braking options.

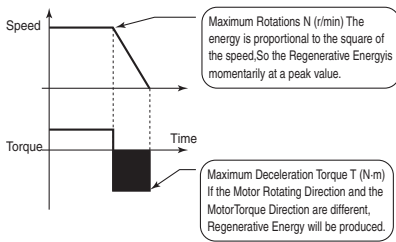
#### ● For Models with a Built-in Braking Circuit (3G3MX2 Max. 22 kW)

Select the braking resistor based on the usage rate calculated from the operation patterns.

Refer to the braking resistor list described in the User's manual and catalog, and connect it according to your Inverter.

When the usage ratio for the braking resistor selected on the previous page exceeds 10% ED, or when an extremely large braking torque is required, use the method below to calculate a regenerative energy and make your selection.

## ● Calculation of Required Braking Resistor



$$\text{Breaking Resistance Resistor: } R \leq \frac{V^2}{1.048 \times (T - 0.2 \times T_m) \times N \times 10^{-1}}$$

V: 200V class inverter 362.5 (V)

400V class inverter 725 (V)

T: Maximum Braking Torque (N·m)

T<sub>m</sub>: Motor Rated Torque (N·m)

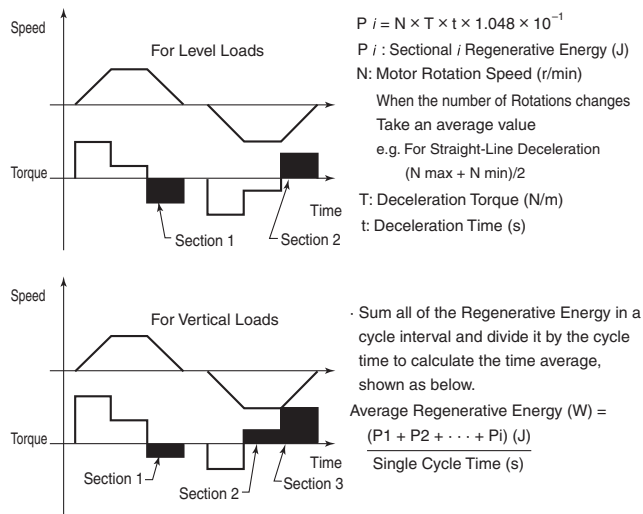
N: Maximum Rotation Speed (r/min)

**Note:** Calculate a braking torque using the above "Motor Capacity Selection".

## ● Calculation of Average Regenerative Energy

Regenerative Energy is produced when the motor rotation direction and the torque direction are opposite.

Use the following formula to calculate a regenerative energy per cycle interval.



- Note:**
1. Forward rotation direction is forward for the speed, and the torque in the forward rotation direction is forward for the torque.
  2. Calculate a braking torque using the above "Motor Capacity Selection".

## ● Braking Resistor Selection

Select a Braking Resistor from the required braking resistance and average regenerative energy on the left.

- Required Braking Resistance  $\geq$  Resistance of Braking Resistor  $\geq$  Minimum Connection Resistance of Inverter or Regenerative Braking Unit
- Average Regenerative Energy  $\leq$  Permissible Power for Braking Resistor

- Note:**
1. If a resistance that has a less than the minimum connectable value is connected on an inverter or regenerative braking resistor unit, the internal braking transistor can be damaged. When the required braking resistance is less than the minimum connectable resistance, change the inverter or regenerative energy braking to the one having a larger capacity and a minimum connection resistance less than the required braking resistance.
  2. Two or more regenerative braking units can be operated in parallel. Refer to the following formula to know the braking resistance value in such a case.  
 Braking Resistance( $\Omega$ ) = (Required Braking Resistance as calculated above)  $\times$  (No. of Units in use)
  3. Do not use the above formula to select a generative braking resistance value. 150W does not reflect a permissible power capacity, but the maximum rated power per unit of resistance. The actual permissible power varies according to a resistance.

## Multi-function Compact Inverter **MX2-Series V1 type**

### Related Manuals

| Man. No. | Model                      | Manual  |
|----------|----------------------------|---|
| I585     | 3G3MX2-□□□□□-V1            | Multi-function Compact Inverter MX2 series V1 type USER'S MANUAL                              |
| I580     |                            | Drive Programming USER'S MANUAL   |
| I570     | 3G3MX2-□□□□□               | Multi-function Compact Inverter MX2-series USER'S MANUAL                                      |
| I574     | 3G3AX-MX2-ECT              | MX2 series / MX2 series V1 type/ RX series V1 type EtherCAT Communication Unit USER'S MANUAL  |
| I581     | 3G3AX-MX2-DRT-E            | MX2 series / MX2 series V1 type/ RX series V1 type DeviceNet Communication Unit USER'S MANUAL |
| I582     | 3G3AX-MX2-CRT-E            | MX2 series / MX2 series V1 type/ RX series V1 type CompoNet Communication Unit USER'S MANUAL  |
| W463     | CXONE-AL□□D-V□             | CX-One FA Integrated Tool Package Setup Manual  |
| W453     | CXONE-AL□□D-V□/WS02-DRVC01 | CX-Drive OPERATION MANUAL   |
| W504     | SYSMAC-SE2□□□              | Sysmac Studio Version 1 Operation Manual  |

# Terms and Conditions Agreement

## **Read and understand this catalog.**

Please read and understand this catalog before purchasing the products. Please consult your OMRON representative if you have any questions or comments.

## **Warranties.**

- (a) Exclusive Warranty. Omron's exclusive warranty is that the Products will be free from defects in materials and workmanship for a period of twelve months from the date of sale by Omron (or such other period expressed in writing by Omron). Omron disclaims all other warranties, express or implied.
- (b) Limitations. OMRON MAKES NO WARRANTY OR REPRESENTATION, EXPRESS OR IMPLIED, ABOUT NON-INFRINGEMENT, MERCHANTABILITY OR FITNESS FOR A PARTICULAR PURPOSE OF THE PRODUCTS. BUYER ACKNOWLEDGES THAT IT ALONE HAS DETERMINED THAT THE PRODUCTS WILL SUITABLY MEET THE REQUIREMENTS OF THEIR INTENDED USE.

Omron further disclaims all warranties and responsibility of any type for claims or expenses based on infringement by the Products or otherwise of any intellectual property right. (c) Buyer Remedy. Omron's sole obligation hereunder shall be, at Omron's election, to (i) replace (in the form originally shipped with Buyer responsible for labor charges for removal or replacement thereof) the non-complying Product, (ii) repair the non-complying Product, or (iii) repay or credit Buyer an amount equal to the purchase price of the non-complying Product; provided that in no event shall Omron be responsible for warranty, repair, indemnity or any other claims or expenses regarding the Products unless Omron's analysis confirms that the Products were properly handled, stored, installed and maintained and not subject to contamination, abuse, misuse or inappropriate modification. Return of any Products by Buyer must be approved in writing by Omron before shipment. Omron Companies shall not be liable for the suitability or unsuitability or the results from the use of Products in combination with any electrical or electronic components, circuits, system assemblies or any other materials or substances or environments. Any advice, recommendations or information given orally or in writing, are not to be construed as an amendment or addition to the above warranty.

See <http://www.omron.com/global/> or contact your Omron representative for published information.

## **Limitation on Liability; Etc.**

OMRON COMPANIES SHALL NOT BE LIABLE FOR SPECIAL, INDIRECT, INCIDENTAL, OR CONSEQUENTIAL DAMAGES, LOSS OF PROFITS OR PRODUCTION OR COMMERCIAL LOSS IN ANY WAY CONNECTED WITH THE PRODUCTS, WHETHER SUCH CLAIM IS BASED IN CONTRACT, WARRANTY, NEGLIGENCE OR STRICT LIABILITY.

Further, in no event shall liability of Omron Companies exceed the individual price of the Product on which liability is asserted.

## **Suitability of Use.**

Omron Companies shall not be responsible for conformity with any standards, codes or regulations which apply to the combination of the Product in the Buyer's application or use of the Product. At Buyer's request, Omron will provide applicable third party certification documents identifying ratings and limitations of use which apply to the Product. This information by itself is not sufficient for a complete determination of the suitability of the Product in combination with the end product, machine, system, or other application or use. Buyer shall be solely responsible for determining appropriateness of the particular Product with respect to Buyer's application, product or system. Buyer shall take application responsibility in all cases.

NEVER USE THE PRODUCT FOR AN APPLICATION INVOLVING SERIOUS RISK TO LIFE OR PROPERTY OR IN LARGE QUANTITIES WITHOUT ENSURING THAT THE SYSTEM AS A WHOLE HAS BEEN DESIGNED TO ADDRESS THE RISKS, AND THAT THE OMRON PRODUCT(S) IS PROPERLY RATED AND INSTALLED FOR THE INTENDED USE WITHIN THE OVERALL EQUIPMENT OR SYSTEM.

## **Programmable Products.**

Omron Companies shall not be responsible for the user's programming of a programmable Product, or any consequence thereof.

## **Performance Data.**

Data presented in Omron Company websites, catalogs and other materials is provided as a guide for the user in determining suitability and does not constitute a warranty. It may represent the result of Omron's test conditions, and the user must correlate it to actual application requirements. Actual performance is subject to the Omron's Warranty and Limitations of Liability.

## **Change in Specifications.**

Product specifications and accessories may be changed at any time based on improvements and other reasons. It is our practice to change part numbers when published ratings or features are changed, or when significant construction changes are made. However, some specifications of the Product may be changed without any notice. When in doubt, special part numbers may be assigned to fix or establish key specifications for your application. Please consult with your Omron's representative at any time to confirm actual specifications of purchased Product.

## **Errors and Omissions.**

Information presented by Omron Companies has been checked and is believed to be accurate; however, no responsibility is assumed for clerical, typographical or proofreading errors or omissions.

**Note: Do not use this document to operate the Unit.**

**OMRON Corporation** Industrial Automation Company  
Kyoto, JAPAN

**Contact: [www.ia.omron.com](http://www.ia.omron.com)**

***Regional Headquarters***

**OMRON EUROPE B.V.**

Wegalaan 67-69, 2132 JD Hoofddorp  
The Netherlands

Tel: (31)2356-81-300/Fax: (31)2356-81-388

**OMRON ELECTRONICS LLC**

2895 Greenspoint Parkway, Suite 200  
Hoffman Estates, IL 60169 U.S.A.

Tel: (1) 847-843-7900/Fax: (1) 847-843-7787

**OMRON ASIA PACIFIC PTE. LTD.**

438B Alexandra Road, #08-01/02 Alexandra  
Technopark, Singapore 119968

Tel: (65) 6835-3011/Fax: (65) 6835-2711

**OMRON (CHINA) CO., LTD.**

Room 2211, Bank of China Tower,  
200 Yin Cheng Zhong Road,  
PuDong New Area, Shanghai, 200120, China  
Tel: (86) 21-5037-2222/Fax: (86) 21-5037-2200

**Authorized Distributor:**

© OMRON Corporation 2009-2022 All Rights Reserved.  
In the interest of product improvement,  
specifications are subject to change without notice.

**CSM\_14\_14**

**Cat. No. I920-E1-06**

0522 (0909)



## X-ON Electronics

Largest Supplier of Electrical and Electronic Components

*Click to view similar products for [Motor Drives](#) category:*

*Click to view products by [Omron](#) manufacturer:*

Other Similar products are found below :

[GMA02](#) [1300920283](#) [ST10-Plus](#) [GMA20](#) [R88DUA03LAAC100V30W](#) [R88DUP03LAAC100V30W](#) [MFMCB0030GET](#) [MFECA0050EAM](#)  
[MFECA0030EAM](#) [1300920078](#) [R88D-GT04H](#) [R88D-GN04H-ML2](#) [R88D-KT01H](#) [R7D-BP01H](#) [1SFA896114R7000](#) [R88D1SN04HECT](#)  
[R88D1SN08HECT](#) [ST10-IP-EE](#) [ST10-Q-RN](#) [SM2861-5055](#) [MBEG1E5BCV](#) [LU9BN11L](#) [132B0107](#) [68581737](#) [3G3MX2-AB002-E-ECT](#)  
[CIMR-VC4A0009BAA](#) [CIMR-VCBA0018BAA](#) [FC-051P7K5T4E20H3BXCXXXSXXX](#) [CIPR-GA50CB004EBAA-BAAASA](#)  
[DRV8251DDAR](#) [3AUA0000031336](#) [VFNC3S-2004PL](#) [VFNC3S-2022PL](#) [1SFA897103R7000](#) [1SFA897109R7000](#) [MCD 201-007-T4-CV3](#)  
[68581974](#) [68581796](#) [68878420](#) [MCD 201-007-T4-CV1](#) [3AUA0000039627](#) [GV2P01](#) [111.3763.30.00](#) [111.9031.20.00](#) [111.9039.20.00](#)  
[111.9199.20.00](#) [3G3MX2-AB001-E](#) [130B1107](#) [132B0100](#) [3G3MX2-AB004-E](#)