

SR103AM



Conforms to EN60204-1, EN954-1, VDE 0113-1  
UL and C-UL listed, BG approved

H

safety monitoring relays

# SR103AM

## Dual Channel Safety Monitoring Relay

- Power requirements—the SR103AM will accept 24 VAC/DC, 115 VAC, or 230 VAC
- Inputs—the SR103AM will accept single or dual N/C inputs or dual inputs from a light curtain (see SR102AM for application wiring for a light curtain)
- Outputs—the SR103AM has 3 N/O outputs to route power to the coils of power contactors, plus 1 N/C auxiliary output for signaling purposes
- External Device Monitoring (EDM) is provided with a N/C loop between S11/S12 and S21 on the SR103AM
- Monitored manual or automatic/manual reset modes are available on the SR103AM. Monitored manual reset requires closure of the reset circuit followed by opening of the circuit. Reset occurs when circuit is opened. Auto reset requires only closure of the reset circuit as reset occurs when circuit is closed.

**A** **Go to the Engineering Guide**  
For in-depth information on safety standards and use.

**Sti**  
H12

**USA** Tel. 1/888/510-4357  
**Canada** Tel. 1/800/221-7060

**UK** Tel. +44 (0) 1395-273-209  
**Europe** Tel. +49 (0) 5258-938-776

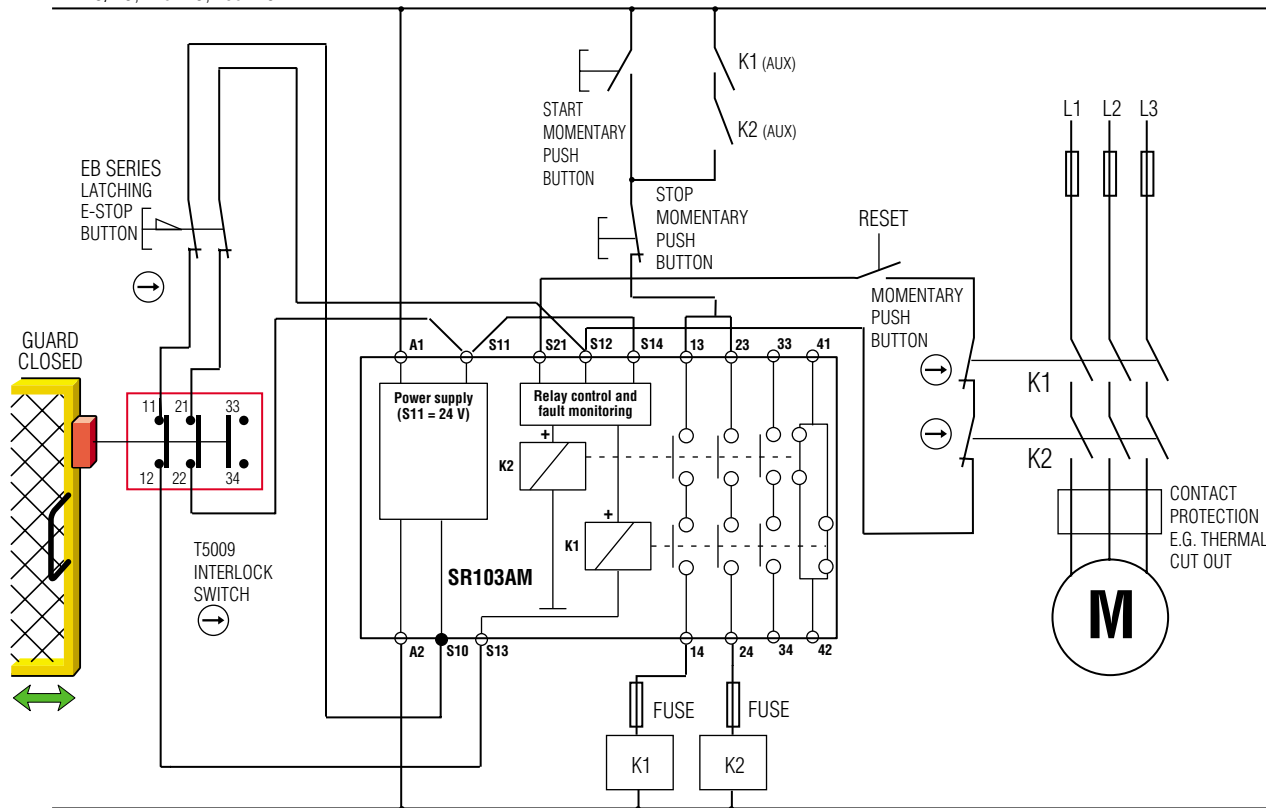
**Japan** Tel. +81-466-22-1132  
**China** Tel. +86-21-5836-7708  
**Singapore** Tel. +65-648-44-001

**For the Latest Information**  
On the Internet: [www.sti.com](http://www.sti.com)  
E-mail: [sales@sti.com](mailto:sales@sti.com)

## Application

See the SR102AM for wiring to a light curtain

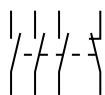
24VAC/DC, 110VAC, 230VAC



safety monitoring relays

For a full explanation of the circuit operating principle and fault detection, see "Common Circuit Examples" in the Engineering Section of this catalog.

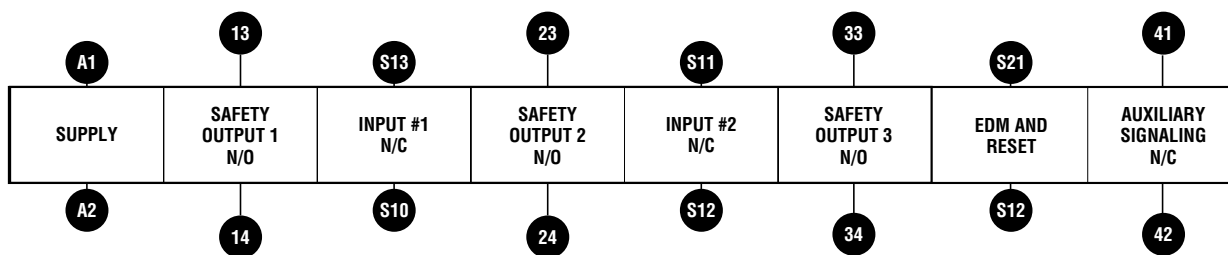
## Output Contact Arrangements



## Terminal Pin Assignments

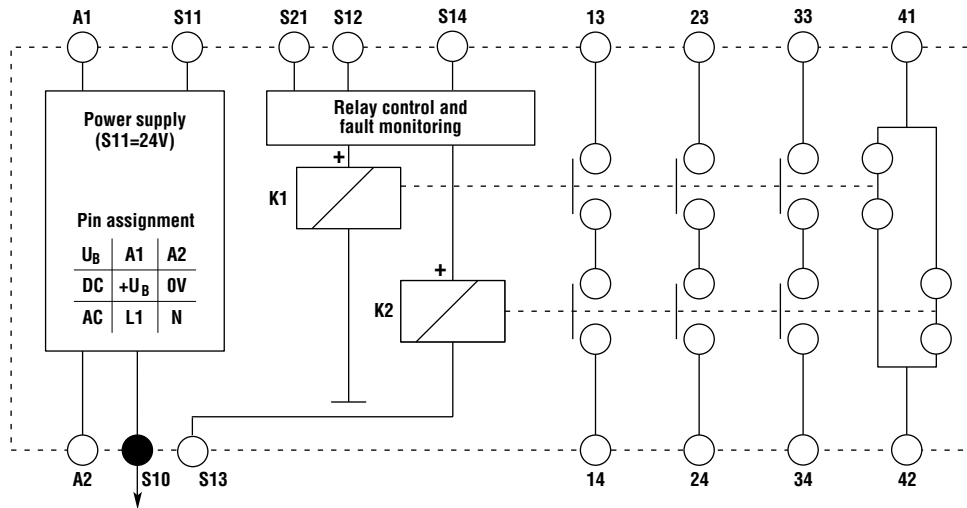
14	⊗	⊗	S12	A1	⊗	⊗	13
24	⊗	⊗	S13	S11	⊗	⊗	23
34	⊗	⊗	S10	S14	⊗	⊗	33
42	⊗	⊗	A2	S21	⊗	⊗	41

## Terminal Connections



# SR103AM

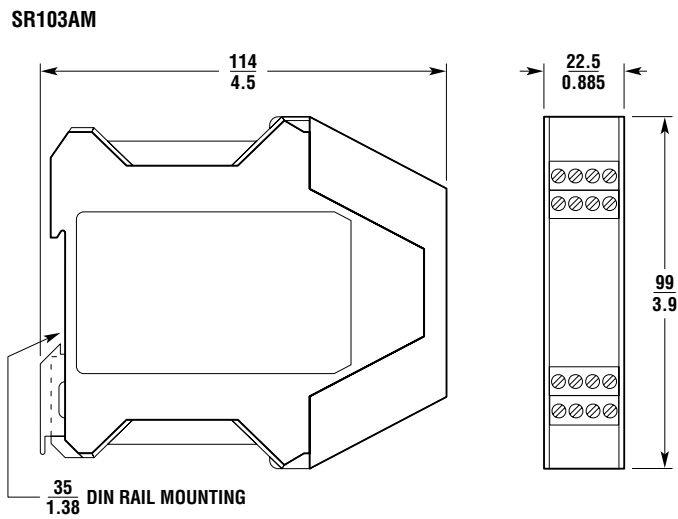
## ■ Block Diagram



## H

## ■ Dimensions — mm/in.

safety monitoring relays



**A** Go to the Engineering Guide  
For in-depth information on safety standards and use.

## ■ Specifications

Electrical	All Models	SR103AM01	SR103AM02	SR103AM03
<b>Power Supply:</b>	±10%, 50-60 Hz	24 VAC/DC	115 VAC	230 VAC
<b>Power Consumption:</b>	Approx. 1 VA			
<b>Safety Inputs:</b>	1 N/C or 2 N/C or 2 solid state (light curtain)			
<b>Max Input Resistance:</b>	800 Ohms per channel			
<b>Outputs:</b>	3 N/O + 1 N/C auxiliary			
<b>Output Rating AC:</b>	Inductive AC-15, 3 A/230 VAC			
<b>Output Rating DC:</b>	Inductive DC-13, 2 A/24 V			
<b>Min Switched Current/Voltage:</b>	10 mA/10 V			
<b>Impulse Withstand Voltage:</b>	2500 V			
<b>Max Drop-Out Time:</b>	12 ms (75 ms by removing supply voltage)			
<b>Max Output Fuse:</b>	6 A quick-acting or 4 A slow-acting			
<b>Reset Mode:</b>	Monitored manual (S11-S21) or automatic/manual (S12-S21)			
<b>Contactor Monitoring:</b>	N/C loop S11/S12-S21			
<b>Mechanical</b>				
<b>Mounting:</b>	35 mm (1.38 in.) DIN rail			
<b>Case Material:</b>	Fiber-filled Polyamide PA6.6			
<b>Max Wire Size:</b>	1 x 2.5 mm <sup>2</sup> (14 AWG) stranded			
<b>Weight:</b>	230 g (8.1 oz.)			
<b>Color:</b>	Red			
<b>External Switches:</b>	None			
<b>Indication:</b>	Green = K1 Closed, Green = K2 Closed			
<b>Mechanical Life:</b>	1 x 10 <sup>7</sup> operations			
<b>Environmental</b>				
<b>Enclosure Protection:</b>	IP20 terminals, IP40 (NEMA 1) housing			
<b>Operating Temperature:</b>	24 VAC/DC: -15 to 40°C (5 to 104°F) 115/230 VAC: -15 to 40°C (5 to 104°F)			
<b>Humidity:</b>	93% RH at 104°C (219°F)			
<b>Compliance</b>				
<b>Standards:</b>	EN 60204-1, EN 954-1, VDE 0113-1			
<b>Approvals/Listings:</b>	CE marked for all applicable directives, BG, UL and C-UL			
<b>Safety Category:</b>	Cat. 4 per EN954-1 (SR103 internal operation)			

Specifications are subject to change without notice.

Note: The safety contacts of the STI switches are described as normally closed (N/C)—i.e., with the guard closed, actuator in place, and the machine able to be started.

## ■ Ordering

Model	Supply	Inputs	Outputs	Auxiliary	Part No.
SR103AM01	24 VAC/DC	2 N/C	3 N/O	1 N/C	44510-1031
SR103AM02	115 VAC	2 N/C	3 N/O	1 N/C	44510-1032
SR103AM03	230 VAC*	2 N/C	3 N/O	1 N/C	44510-1033

\*230 VAC units are available on special order. Minimum quantities may apply.

## X-ON Electronics

Largest Supplier of Electrical and Electronic Components

*Click to view similar products for [Safety Relays](#) category:*

*Click to view products by [Omron](#) manufacturer:*

Other Similar products are found below :

[7-1618103-5](#) [1351-1X](#) [1618082-4](#) [1618111-1](#) [C200HDA003](#) [C200HMR432](#) [C200HMR832](#) [C200HMR833](#) [C28PEDRA](#) [20-050-36X](#)  
[C500ETL01](#) [C500OD415CN](#) [2-1618068-0](#) [9-1618103-2](#) [SP10-ETL01](#) [22-060X](#) [C200HNC112](#) [C200HOD214](#) [C500CN812N](#) [4NK0AQY](#)  
[1100X](#) [1100-42X](#) [V23050A1012A551](#) [6-1618082-4](#) [7-1618103-6](#) [WTD-101X](#) [SP16DRD](#) [SP16DRA](#) [C500-CE243](#) [C500-IDS02-V1](#)  
[607.5111.020](#) [DOLD 48173](#) [CS AR-02V024](#) [CS AR-22V024](#) [CS AR-22V230](#) [CS AR-46V024](#) [750136](#) [PSR-MS21-1NO-1DO-24DC-SC](#)  
[600PSR-165/300-CU](#) [SR6V6K18](#) [SR4M4005](#) [BPS 36-1](#) [BP34 - 101057553](#) [2TLA010033R3000](#) [2TLA010033R2000](#) [2TLA010033R0000](#)  
[2TLA010028R1000](#) [2TLA010017R0100](#) [2TLA010026R0400](#) [SCR 2-W22-2.5](#)