

TL4019

Safety Interlock Switch with Guard Door Locking

- High locking force of 1,200 N (270 lb.) locks guard door shut until machine is safe to enter
- IP67 (NEMA 6) enclosure enables the TL4019 to withstand water washdown
- Door and lock monitoring—the TL4019 has a total of 4 contacts: 2 N/C safety + 1 contact for door position monitoring + 1 contact for lock monitoring
- Rear manual release—allows unlocking of switch from inside of guarded area per ANSI/RIA R15.06
- Narrow profile enables mounting to 2 in. square tubing or in applications with space restrictions
- Rotatable head—the rotatable head of the TL4019 provides 8 actuator entry positions to satisfy most installation requirements
- Optional key release—this option on power-to-unlock models allows manual unlocking of the guard door
- Optional slide bolt with integral door handle aids installation on sliding and swinging guard doors
- A Rapid Delivery Product: Select models are available for shipment today or within 3 to 5 days



Conforms to EN60947-5-1, EN1088, EN ISO 13849-1
UL and C-UL listed
DGVU approved

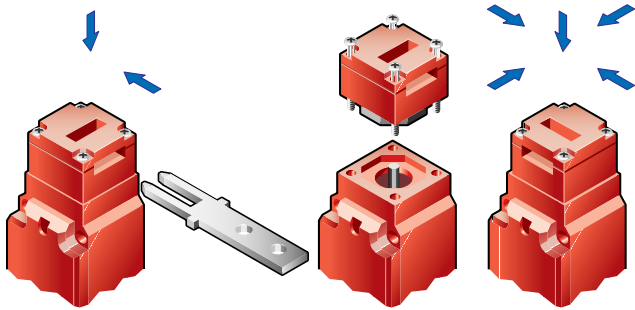
Specifications

Electrical	All Models	TL4019-1 & -2	TL4019-3 & -4	TL4019-5
Safety Contacts:		2 N/C	2 N/C	1 N/C
Auxiliary Contacts:		2 N/O	1 N/O + 1 N/O 1 N/O + 1 N/C 1 N/C + 1 N/O	1 N/C + 1 N/O
Switching Ability	AC: 230 V – 4 A DC: 24 V – 4 A			
Safety Contact Material:	Silver alloy with gold flash			
Minimum Current:	24 V 1 mA			
Solenoid Supply Voltage:	24 VAC/DC or 110 VAC (all -15% / +10%)			
Solenoid Power:	8 W			
Solenoid Rating:	100% duty			
Mechanical				
Mounting:	Any position			
Mounting Hardware:	4 x M5 screws (not supplied)			
Min Operating Radius:	Approximately 100 mm (3.9 in.) with flex actuators Approximately 1000 mm (39 in.) with flat and 90-degree actuators			
Max Holding Force:	1200 N (270 lb.)			
Max Actuation Speed:	20 m/min.			
Case Material:	Reinforced thermoplastic			
Actuator Material:	Stainless steel			
Wiring Entry:	3 x M20 conduit with 0.5 in. NPT adapter			
Weight:	500 g (17 oz.)			
Color:	Red			
Mechanical Life:	1 x 10 ⁶ minimum			
Environmental				
Protection:	IP67 (NEMA 6)			
Operating Temperature:	-20 to 55°C (-4 to 131°F)			
Cleaning:	Water washdown			
Compliance				
Standards:	EN60947-5-1, EN1088, EN ISO 13849-1, ISO 14119			
Approvals/Listings:	CE marked for all applicable directives, UL and C-UL, DGVU			

Specifications are subject to change without notice.

Note: The safety contacts of the STI switches are described as normally closed (N/C)—i.e., with the guard closed, actuator in place, and the machine able to be started.

Operation



Optional Slide Bolts

- Allows easy installation of switch on machine guards
- Actuator included (order switch separately)
- Integral handle included
- Metal is ideal for heavy doors; plastic is suitable for smaller and lighter doors
- Slotted hole in bolt permits attaching multiple padlocks
- Yellow color for easy recognition



Metal Slide Bolt



Plastic Slide Bolt

Alignment Guide

Optional stainless steel alignment guide aids actuator entry and is easily installed.



Flat Actuator

Available with and without rubber bushings.



90-Degree Actuator

Available with and without rubber bushings.



Optional Rear Release

- Allows manual rear release of a locked switch from inside a guarded area per ANSI/RIA R15.06
- May be installed on switch in conjunction with or without the use of a slide bolt
- Must use with Rear Release Switch Models only

Optional Key Release

A key release unit is easily attached to the TL4019 to provide emergency override of the switch locking mechanism by a qualified, responsible person.



Flexible 1 Actuator

15 degree flexibility may be adjusted with the set screw.



Flexible 2 Actuator

15 degree flexibility may be adjusted with the set screw.



Rear Release Actuator (Included with Rear Release Switches)



Rear Release T-Handle (Order separately)

Optional LED Lid Kit

Provides red and green LED indicators with user-configured operation.



Optional Interior Lever Kit

Use with metal rear release slide bolts.

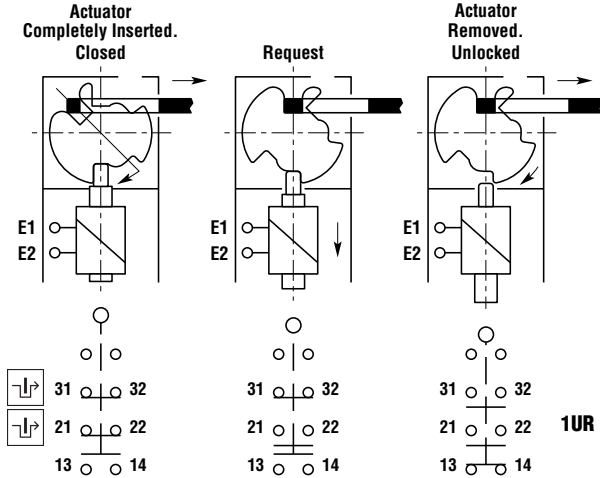


Operation (continued)

Contact Arrangements

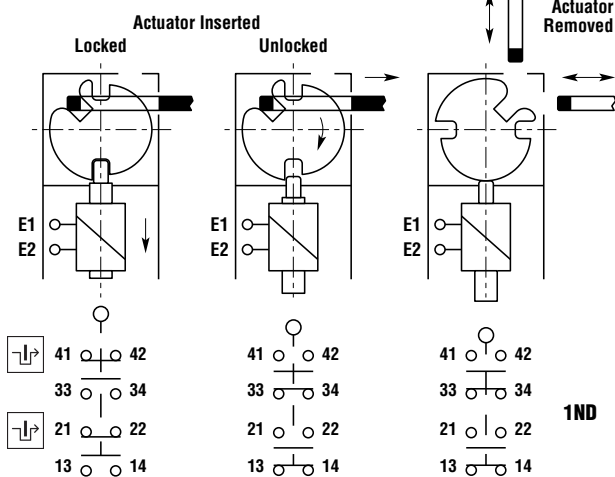
With Unlock Request Contact

1UR 1 positively driven N/C contact as door unlock request contact
1 positively driven N/C contact + 1 N/O (without door contact)



Without Door Contact

1ND 2 positively driven N/C contacts + 2 N/O

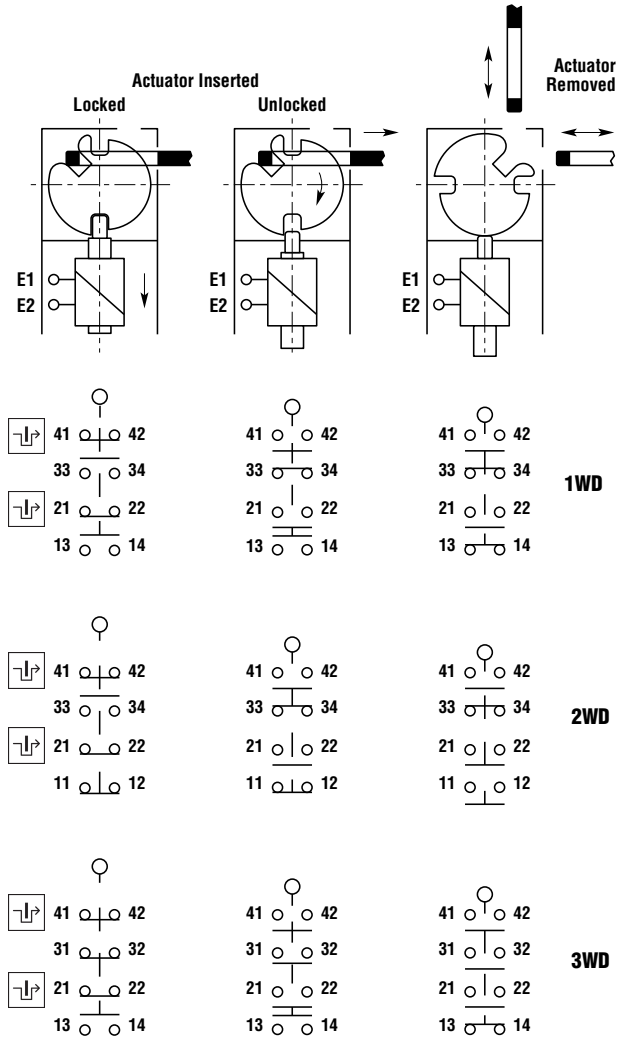


With Door Contact

1WD 2 positively driven N/C contacts + 1 N/O + 1 N/O as door contact

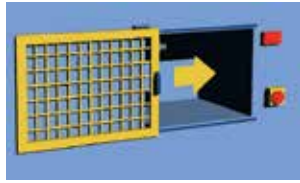
2WD 2 positively driven N/C contacts + 1 N/O + 1 N/C as door contact

3WD 2 positively driven N/C contacts + 1 N/C + 1 N/O as door contact



Applications

Typical applications are on sliding guard doors and swinging guard doors that must remain locked until a signal is applied to the internal solenoid that unlocks the guard door.



Application Monitoring Units



SR223SMT Timer Unit

Used with the TL4019 for machines with constant overrun. Gives a timed delay to the lock/release signal. Failsafe and adjustable to a range of times from 1.0 seconds up to 31 seconds.



SR125SMS45 Stop Motion Sensing Unit

Used with the TL4019 for machines with inconstant or variable overrun. Senses back EMF of AC or DC motors. Failsafe and adjustable to a range of 0.01 V to 0.10 V.



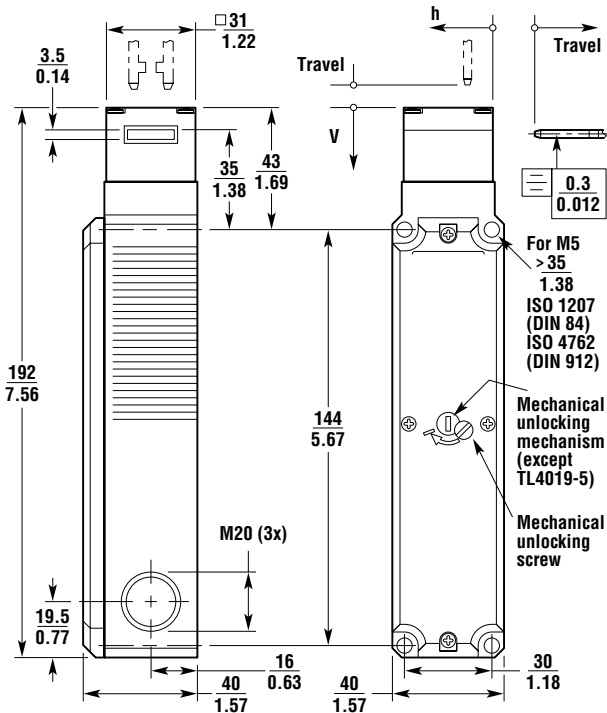
Safety Monitoring Relay Units

Safety monitoring relays ensure a maximum level of safety by monitoring all wiring in the safety circuit, including switches and contactors. Any fault and the power to the machine is switched off. A variety of safety monitoring relay units are available.

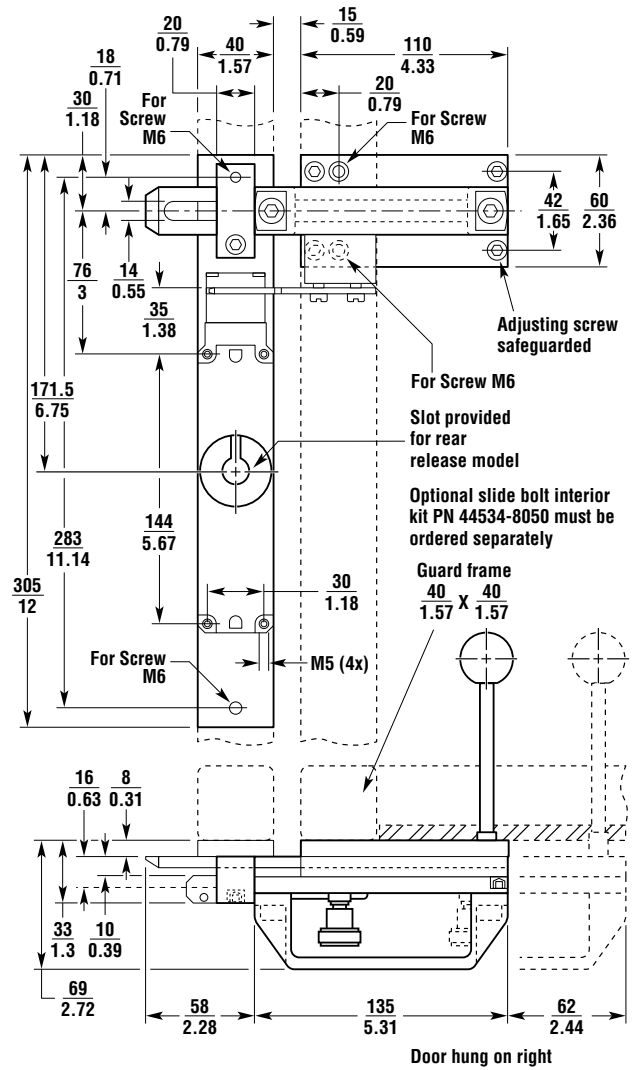
Dimensions

(mm/in.)

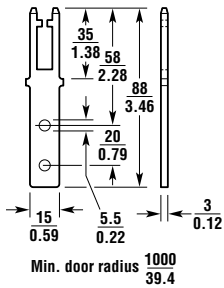
TL4019



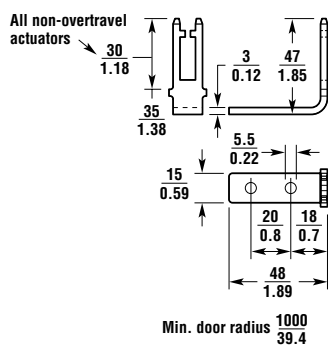
Optional Metal Slide Bolt for TL4019



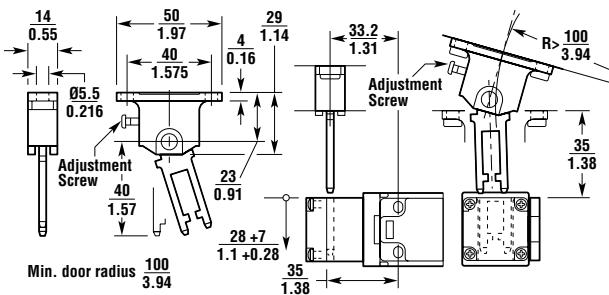
Overtravel Flat Actuator



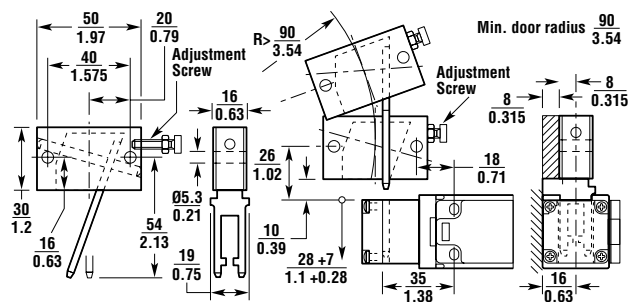
Overtravel 90-Degree Actuator



Flexible 1 Actuator



Flexible 2 Actuator



Ordering

Model	Solenoid	Contacts	Wiring Entry	Part No.
Power to Lock (without door contact)				
TL4019-20241TM (flat actuator)	24 VAC/DC	2 N/C + 2 N/O	3 x M20 with NPT adapter	44534-0030
TL4019-20241SM (90-degree actuator)	24 VAC/DC	2 N/C + 2 N/O	3 x M20 with NPT adapter	44534-0130
TL4019-20241F2M (flex 2 actuator)	24 VAC/DC	2 N/C + 2 N/O	3 x M20 with NPT adapter	44534-0230
TL4019-20241F1M (flex 1 actuator)	24 VAC/DC	2 N/C + 2 N/O	3 x M20 with NPT adapter	44534-0330
TL4019-21101TM (flat actuator)	110 VAC	2 N/C + 2 N/O	3 x M20 with NPT adapter	44534-0040
TL4019-21101SM (90-degree actuator)	110 VAC	2 N/C + 2 N/O	3 x M20 with NPT adapter	44534-0140
TL4019-21101F2M (flex 2 actuator)	110 VAC	2 N/C + 2 N/O	3 x M20 with NPT adapter	44534-0240
TL4019-21101F1M (flex 1 actuator)	110 VAC	2 N/C + 2 N/O	3 x M20 with NPT adapter	44534-0340
Power to Lock (with door contact)				
TL4019-40241TM (flat actuator)	24 VAC/DC	2 N/C + 1 N/O + 1 N/O	3 x M20 with NPT adapter	44534-0410
TL4019-40241SM (90-degree actuator)	24 VAC/DC	2 N/C + 1 N/O + 1 N/O	3 x M20 with NPT adapter	44534-0510
TL4019-40241F2M (flex 2 actuator)	24 VAC/DC	2 N/C + 1 N/O + 1 N/O	3 x M20 with NPT adapter	44534-0610
TL4019-40241F1M (flex 1 actuator)	24 VAC/DC	2 N/C + 1 N/O + 1 N/O	3 x M20 with NPT adapter	44534-1710
TL4019-41101TM (flat actuator)	110 VAC	2 N/C + 1 N/O + 1 N/O	3 x M20 with NPT adapter	44534-0420
TL4019-41101SM (90-degree actuator)	110 VAC	2 N/C + 1 N/O + 1 N/O	3 x M20 with NPT adapter	44534-0520
TL4019-41101F2M (flex 2 actuator)	110 VAC	2 N/C + 1 N/O + 1 N/O	3 x M20 with NPT adapter	44534-0620
TL4019-41101F1M (flex 1 actuator)	110 VAC	2 N/C + 1 N/O + 1 N/O	3 x M20 with NPT adapter	44534-1720
TL4019-40242TM (flat actuator)	24 VAC/DC	2 N/C + 1 N/O + 1 N/C	3 x M20 with NPT adapter	44534-0430
TL4019-40242SM (90-degree actuator)	24 VAC/DC	2 N/C + 1 N/O + 1 N/C	3 x M20 with NPT adapter	44534-0530
TL4019-40242F2M (flex 2 actuator)	24 VAC/DC	2 N/C + 1 N/O + 1 N/C	3 x M20 with NPT adapter	44534-0630
TL4019-40242F1M (flex 1 actuator)	24 VAC/DC	2 N/C + 1 N/O + 1 N/C	3 x M20 with NPT adapter	44534-1730
TL4019-41102TM (flat actuator)	110 VAC	2 N/C + 1 N/O + 1 N/C	3 x M20 with NPT adapter	44534-0440
TL4019-41102SM (90-degree actuator)	110 VAC	2 N/C + 1 N/O + 1 N/C	3 x M20 with NPT adapter	44534-0540
TL4019-41102F2M (flex 2 actuator)	110 VAC	2 N/C + 1 N/O + 1 N/C	3 x M20 with NPT adapter	44534-0640
TL4019-41102F1M (flex 1 actuator)	110 VAC	2 N/C + 1 N/O + 1 N/C	3 x M20 with NPT adapter	44534-1740
TL4019-40243TM (flat actuator)	24 VAC/DC	2 N/C + 1 N/C + 1 N/O	3 x M20 with NPT adapter	44534-0450
TL4019-40243SM (90-degree actuator)	24 VAC/DC	2 N/C + 1 N/C + 1 N/O	3 x M20 with NPT adapter	44534-0550
TL4019-40243F2M (flex 2 actuator)	24 VAC/DC	2 N/C + 1 N/C + 1 N/O	3 x M20 with NPT adapter	44534-0650
TL4019-40243F1M (flex 1 actuator)	24 VAC/DC	2 N/C + 1 N/C + 1 N/O	3 x M20 with NPT adapter	44534-1750
TL4019-41103TM (flat actuator)	110 VAC	2 N/C + 1 N/C + 1 N/O	3 x M20 with NPT adapter	44534-0460
TL4019-41103SM (90-degree actuator)	110 VAC	2 N/C + 1 N/C + 1 N/O	3 x M20 with NPT adapter	44534-0560
TL4019-41103F2M (flex 2 actuator)	110 VAC	2 N/C + 1 N/C + 1 N/O	3 x M20 with NPT adapter	44534-0660
TL4019-41103F1M (flex 1 actuator)	110 VAC	2 N/C + 1 N/C + 1 N/O	3 x M20 with NPT adapter	44534-1760
Power to Unlock (without door contact)				
TL4019-10241TM (flat actuator)	24 VAC/DC	2 N/C + 2 N/O	3 x M20 with NPT adapter	44534-0010
TL4019-10241SM (90-degree actuator)	24 VAC/DC	2 N/C + 2 N/O	3 x M20 with NPT adapter	44534-0110
TL4019-10241F2M (flex 2 actuator)	24 VAC/DC	2 N/C + 2 N/O	3 x M20 with NPT adapter	44534-0210
TL4019-10241F1M (flex 1 actuator)	24 VAC/DC	2 N/C + 2 N/O	3 x M20 with NPT adapter	44534-0310
TL4019-11101TM (flat actuator)	110 VAC	2 N/C + 2 N/O	3 x M20 with NPT adapter	44534-0020
TL4019-11101SM (90-degree actuator)	110 VAC	2 N/C + 2 N/O	3 x M20 with NPT adapter	44534-0120
TL4019-11101F2M (flex 2 actuator)	110 VAC	2 N/C + 2 N/O	3 x M20 with NPT adapter	44534-0220
TL4019-11101F1M (flex 1 actuator)	110 VAC	2 N/C + 2 N/O	3 x M20 with NPT adapter	44534-0320
TL4019-10241SKM w/key (90-degree actuator)	24 VAC/DC	2 N/C + 2 N/O	3 x M20 with NPT adapter	44534-1110
TL4019-11101SKM w/key (90-degree actuator)	110 VAC	2 N/C + 2 N/O	3 x M20 with NPT adapter	44534-1120
Power to Unlock (with door contact)				
TL4019-30241TM (flat actuator)	24 VAC/DC	2 N/C + 1 N/O + 1 N/O	3 x M20 with NPT adapter	44534-0050
TL4019-30241SM (90-degree actuator)	24 VAC/DC	2 N/C + 1 N/O + 1 N/O	3 x M20 with NPT adapter	44534-0150
TL4019-30241F2M (flex 2 actuator)	24 VAC/DC	2 N/C + 1 N/O + 1N/O	3 x M20 with NPT adapter	44534-0250
TL4019-30241F1M (flex 1 actuator)	24 VAC/DC	2 N/C + 1 N/O + 1N/O	3 x M20 with NPT adapter	44534-0350
TL4019-31101TM (flat actuator)	110 VAC	2 N/C + 1 N/O + 1N/O	3 x M20 with NPT adapter	44534-0060
TL4019-31101SM (90-degree actuator)	110 VAC	2 N/C + 1 N/O + 1N/O	3 x M20 with NPT adapter	44534-0160
TL4019-31101F2M (flex 2 actuator)	110 VAC	2 N/C + 1 N/O + 1N/O	3 x M20 with NPT adapter	44534-0260
TL4019-31101F1M (flex 1 actuator)	110 VAC	2 N/C + 1 N/O + 1N/O	3 x M20 with NPT adapter	44534-0360
TL4019-30242TM (flat actuator)	24 VAC/DC	2 N/C + 1 N/O + 1N/C	3 x M20 with NPT adapter	44534-0070
TL4019-30242SM (90-degree actuator)	24 VAC/DC	2 N/C + 1 N/O + 1N/C	3 x M20 with NPT adapter	44534-0170
TL4019-30242F2M (flex 2 actuator)	24 VAC/DC	2 N/C + 1 N/O + 1N/C	3 x M20 with NPT adapter	44534-0270
TL4019-30242F1M (flex 1 actuator)	24 VAC/DC	2 N/C + 1 N/O + 1N/C	3 x M20 with NPT adapter	44534-0370

(Continued on next page)

Ordering (continued)

Model	Solenoid	Contacts	Wiring Entry	Part No.
TL4019-31102TM (flat actuator)	110 VAC	2 N/C + 1 N/O + 1N/C	3 x M20 with NPT adapter	44534-0080
TL4019-31102SM (90-degree actuator)	110 VAC	2 N/C + 1 N/O + 1N/C	3 x M20 with NPT adapter	44534-0180
TL4019-31102F2M (flex 2 actuator)	110 VAC	2 N/C + 1 N/O + 1N/C	3 x M20 with NPT adapter	44534-0280
TL4019-31102F1M (flex 1 actuator)	110 VAC	2 N/C + 1 N/O + 1N/C	3 x M20 with NPT adapter	44534-0380
TL4019-30243TM (flat actuator)	24 VAC/DC	2 N/C + 1 N/C + 1N/O	3 x M20 with NPT adapter	44534-0090
TL4019-30243SM (90-degree actuator)	24 VAC/DC	2 N/C + 1 N/C + 1 N/O	3 x M20 with NPT adapter	44534-0190
TL4019-30243F2M (flex 2 actuator)	24 VAC/DC	2 N/C + 1 N/C + 1 N/O	3 x M20 with NPT adapter	44534-0290
TL4019-30243F1M (flex 1 actuator)	24 VAC/DC	2 N/C + 1 N/C + 1 N/O	3 x M20 with NPT adapter	44534-0390
TL4019-31103TM (flat actuator)	110 VAC	2 N/C + 1 N/C + 1 N/O	3 x M20 with NPT adapter	44534-0400
TL4019-31103SM (90-degree actuator)	110 VAC	2 N/C + 1 N/C + 1 N/O	3 x M20 with NPT adapter	44534-0500
TL4019-31103F2M (flex 2 actuator)	110 VAC	2 N/C + 1 N/C + 1 N/O	3 x M20 with NPT adapter	44534-0600
TL4019-31103F1M (flex 1 actuator)	110 VAC	2 N/C + 1 N/C + 1 N/O	3 x M20 with NPT adapter	44534-1700
TL4019-30241SKM w/key (90-degree actuator)	24 VAC/DC	2 N/C + 1 N/O + 1 N/O	3 x M20 with NPT adapter	44534-1150
TL4019-31101SKM w/key (90-degree actuator)	110 VAC	2 N/C + 1 N/O + 1 N/O	3 x M20 with NPT adapter	44534-1160
TL4019-30242SKM w/key (90-degree actuator)	24 VAC/DC	2 N/C + 1 N/O + 1 N/C	3 x M20 with NPT adapter	44534-1170
TL4019-31102SKM w/key (90-degree actuator)	110 VAC	2 N/C + 1 N/O + 1 N/C	3 x M20 with NPT adapter	44534-1180
TL4019-30243SKM w/key (90-degree actuator)	24 VAC/DC	2 N/C + 1 N/C + 1 N/O	3 x M20 with NPT adapter	44534-1190
TL4019-31103SKM w/key (90-degree actuator)	110 VAC	2 N/C + 1 N/C + 1 N/O	3 x M20 with NPT adapter	44534-1500
Power to Unlock (with unlock request contact) (mechanical unlocking is not available on these switches)				
TL4019-50241TM (flat actuator)	24 VAC/DC	1 N/C + 1 N/C + 1 N/O	3 x M20 with NPT adapter	44534-0470
TL4019-50241SM (90-degree actuator)	24 VAC/DC	1 N/C + 1 N/C + 1 N/O	3 x M20 with NPT adapter	44534-0570
TL4019-50241F2M (flex 2 actuator)	24 VAC/DC	1 N/C + 1 N/C + 1 N/O	3 x M20 with NPT adapter	44534-0670
TL4019-50241F1M (flex 1 actuator)	24 VAC/DC	1 N/C + 1 N/C + 1 N/O	3 x M20 with NPT adapter	44534-1770
Switch Only (no actuators or adapters included)				
Power to Unlock (without door contact)				
TL4019-10241	24 VAC/DC	2 N/C + 2 N/O	3 x M20	44534-2010
TL4019-11101	110 VAC	2 N/C + 2 N/O	3 x M20	44534-2020
Power to Unlock (with door contact)				
TL4019-30241	24 VAC/DC	2 N/C + 1 N/O + 1 N/O	3 x M20	44534-2050
TL4019-31101	110 VAC	2 N/C + 1 N/O + 1 N/O	3 x M20	44534-2060
TL4019-30242	24 VAC/DC	2 N/C + 1 N/O + 1 N/C	3 x M20	44534-2070
TL4019-31102	110 VAC	2 N/C + 1 N/O + 1 N/C	3 x M20	44534-2080
TL4019-30243	24 VAC/DC	2 N/C + 1 N/C + 1 N/O	3 x M20	44534-2090
TL4019-31103	110 VAC	2 N/C + 1 N/C + 1 N/O	3 x M20	44534-2100
Power to Unlock (with unlock request contact)				
TL4019-50241	24 VAC/DC	1 N/C + 1 N/C + 1 N/O	3 x M20	44534-2170
Power to Lock (without door contact)				
TL4019-20241	24 VAC/DC	2 N/C + 2 N/O	3 x M20	44534-2030
TL4019-21101	110 VAC	2 N/C + 2 N/O	3 x M20	44534-2040
Power to Lock (with door contact)				
TL4019-40241	24 VAC/DC	2 N/C + 1 N/O + 1 N/O	3 x M20	44534-2110
TL4019-41101	110 VAC	2 N/C + 1 N/O + 1 N/O	3 x M20	44534-2120
TL4019-40242	24 VAC/DC	2 N/C + 1 N/O + 1 N/C	3 x M20	44534-2130
TL4019-41102	110 VAC	2 N/C + 1 N/O + 1 N/C	3 x M20	44534-2140
TL4019-40243	24 VAC/DC	2 N/C + 1 N/C + 1 N/O	3 x M20	44534-2150
TL4019-41103	110 VAC	2 N/C + 1 N/C + 1 N/O	3 x M20	44534-2160
Rear Release (no actuators or adapters included; rear release actuator included; order T-handle separately)				
Power to Unlock (without door contact)				
TL4019-10241RR	24 VAC/DC	2 N/C + 2 N/O	3 x M20	44534-3010
Power to Unlock (with door contact)				
TL4019-30241RR	24 VAC/DC	2 N/C + 1 N/O + 1 N/O	3 x M20	44534-3050
TL4019-30242RR	24 VAC/DC	2 N/C + 1 N/O + 1 N/C	3 x M20	44534-3070
TL4019-30243RR	24 VAC/DC	2 N/C + 1 N/C + 1 N/O	3 x M20	44534-3090
Power to Lock (without door contact)				
TL4019-20241RR	24 VAC/DC	2 N/C + 2 N/O	3 x M20	44534-3030
Power to Lock (with door contact)				
TL4019-40241RR	24 VAC/DC	2 N/C + 1 N/O + 1 N/O	3 x M20	44534-3110
TL4019-40242RR	24 VAC/DC	2 N/C + 1 N/O + 1 N/C	3 x M20	44534-3130
TL4019-40243RR	24 VAC/DC	2 N/C + 1 N/C + 1 N/O	3 x M20	44534-3150

(Continued on next page)

Ordering (continued)

Accessories				Part No.
Standard Actuators				
Replacement flat actuator for TL4019				44534-0700
Replacement 90-degree actuator for TL4019				44534-0710
Replacement flex 2 actuator for TL4019				44534-0720
Replacement flex 1 actuator for TL4019				44534-0730
Standard Actuators with Rubber Bushing				
Replacement flat actuator RB for TL4019				44534-0740
Replacement 90-degree actuator RB for TL4019				44534-0750
Overtravel Actuators				
Replacement flat actuator OT for TL4019				44534-0701
Replacement 90-degree actuator OT for TL4019				44534-0711
Replacement flex 2 actuator OT for TL4019				44534-0721
Replacement flex 1 actuator OT for TL4019				44534-0731
Overtravel Actuators with Rubber Bushing				
Replacement flat actuator OTRB for TL4019				44534-0741
Replacement 90-degree actuator OTRB for TL4019				44534-0751
Slide Bolts				
Bolt for right-hung door for TL4019 with/without rear release (yellow metal)				44534-8130
Bolt for left-hung door for TL4019 with/without rear release (yellow metal)				44534-8140
Plastic slide bolt for right or left-hung door for TL4019 (yellow) (okay for rear release switches)				44534-8070
Slide bolt interior lever kit (use with rear release slide bolts only)				44534-8050
Rear release T-handle (use with rear release switches only)				44534-8060
Bracket for TL4019 (galvanized)				44534-8020
Handle without snap-in (use with 44534-8020 bracket) (galvanized)				44534-8000
Handle with snap-in (use with 44534-8020 bracket) (galvanized)				44534-8010
Miscellaneous				
Stainless steel alignment guide for TL4019 (must use with Overtravel Actuator)				44534-0780
Latch spring for TL4019 (provides greater retention force for actuator)				44534-0760
Lockout bar for TL4019 (prevents insertion of actuator into switch)				44534-0770
Key lock release for TL4019 (2 keys included) (Do not use with TL4019-5)				44534-0802
Spare keys for key lock above (44534-0802) for TL4019				44534-0812
Spare keys for key lock (44534-0800, no longer available)				44534-0810
Unique key lock release for TL4019 (2 unique keys included) (Do not use with TL4019-5)				44534-0820
Replacement head for TL4019				44534-0790
LED lid kit (for 24 VAC/DC switches only)				44534-0761

Terms and Conditions of Sale

1. **Offer; Acceptance.** These terms and conditions (these "Terms") are deemed part of all quotes, agreements, purchase orders, acknowledgments, price lists, catalogs, manuals, brochures and other documents, whether electronic or in writing, relating to the sale of products or services (collectively, the "Products") by Omron Electronics LLC and its subsidiary companies ("Omron"). Omron objects to any terms or conditions proposed in Buyer's purchase order or other documents which are inconsistent with, or in addition to, these Terms.
2. **Prices; Payment Terms.** All prices stated are current, subject to change without notice by Omron. Omron reserves the right to increase or decrease prices on any unshipped portions of outstanding orders. Payments for Products are due net 30 days unless otherwise stated in the invoice.
3. **Discounts.** Cash discounts, if any, will apply only on the net amount of invoices sent to Buyer after deducting transportation charges, taxes and duties, and will be allowed only if (i) the invoice is paid according to Omron's payment terms and (ii) Buyer has no past due amounts.
4. **Interest.** Omron, at its option, may charge Buyer 1-1/2% interest per month or the maximum legal rate, whichever is less, on any balance not paid within the stated terms.
5. **Orders.** Omron will accept no order less than \$200 net billing.
6. **Governmental Approvals.** Buyer shall be responsible for, and shall bear all costs involved in, obtaining any government approvals required for the importation or sale of the Products.
7. **Taxes.** All taxes, duties and other governmental charges (other than general real property and income taxes), including any interest or penalties thereon, imposed directly or indirectly on Omron or required to be collected directly or indirectly by Omron for the manufacture, production, sale, delivery, importation, consumption or use of the Products sold hereunder (including customs duties and sales, excise, use, turnover and license taxes) shall be charged to and remitted by Buyer to Omron.
8. **Financial.** If the financial position of Buyer at any time becomes unsatisfactory to Omron, Omron reserves the right to stop shipments or require satisfactory security or payment in advance. If Buyer fails to make payment or otherwise comply with these Terms or any related agreement, Omron may (without liability and in addition to other remedies) cancel any unshipped portion of Products sold hereunder and stop any Products in transit until Buyer pays all amounts, including amounts payable hereunder, whether or not then due, which are owing to it by Buyer. Buyer shall in any event remain liable for all unpaid accounts.
9. **Cancellation; Etc.** Orders are not subject to rescheduling or cancellation unless Buyer indemnifies Omron against all related costs or expenses.
10. **Force Majeure.** Omron shall not be liable for any delay or failure in delivery resulting from causes beyond its control, including earthquakes, fires, floods, strikes or other labor disputes, shortage of labor or materials, accidents to machinery, acts of sabotage, riots, delay in or lack of transportation or the requirements of any government authority.
11. **Shipping; Delivery.** Unless otherwise expressly agreed in writing by Omron:
 - a. Shipments shall be by a carrier selected by Omron; Omron will not drop ship except in "break down" situations.
 - b. Such carrier shall act as the agent of Buyer and delivery to such carrier shall constitute delivery to Buyer;
 - c. All sales and shipments of Products shall be FOB shipping point (unless otherwise stated in writing by Omron), at which point title and risk of loss shall pass from Omron to Buyer; provided that Omron shall retain a security interest in the Products until the full purchase price is paid;
 - d. Delivery and shipping dates are estimates only; and
 - e. Omron will package Products as it deems proper for protection against normal handling and extra charges apply to special conditions.
12. **Claims.** Any claim by Buyer against Omron for shortage or damage to the Products occurring before delivery to the carrier must be presented in writing to Omron within 30 days of receipt of shipment and include the original transportation bill signed by the carrier noting that the carrier received the Products from Omron in the condition claimed.
13. **Warranties.** (a) **Exclusive Warranty.** Omron's exclusive warranty is that the Products will be free from defects in materials and workmanship for a period of twelve months from the date of sale by Omron (or such other period expressed in writing by Omron). Omron disclaims all other warranties, express or implied. (b) **Limitations.** OMRON MAKES NO WARRANTY OR REPRESENTATION, EXPRESS OR IMPLIED, ABOUT NON-INFRINGEMENT, MERCHANTABILITY OR FITNESS FOR A PARTICULAR PURPOSE OF THE PRODUCTS. BUYER ACKNOWLEDGES THAT IT ALONE HAS DETERMINED THAT THE PRODUCTS WILL SUITABLY MEET THE REQUIREMENTS OF THEIR INTENDED USE. Omron further disclaims all warranties and responsibility of any type for claims or expenses based on infringement by the Products or otherwise of any intellectual property right. (c) **Buyer Remedy.** Omron's sole obligation hereunder shall be, at Omron's election, to (i) replace (in the form originally shipped with Buyer responsible for labor charges for removal or replacement thereof) the non-complying Product, (ii) repair the non-complying Product, or (iii) repay or credit Buyer an amount equal to the purchase price of the non-complying Product; provided that in no event shall Omron be responsible for warranty, repair, indemnity or any other claims or expenses regarding the Products unless Omron's analysis confirms that the Products were properly handled, stored, installed and maintained and not subject to contamination, abuse, misuse or inappropriate modification. Return of any Products by Buyer must be approved in writing by Omron before shipment. Omron Companies shall not be liable for the suitability or unsuitability or the results from the use of Products in combination with any electrical or electronic components, circuits, system assemblies or any other materials or substances or environments. Any advice, recommendations or information given orally or in writing, are not to be construed as an amendment or addition to the above warranty. See <http://www.omron247.com> or contact your Omron representative for published information.
14. **Limitation on Liability; Etc.** OMRON COMPANIES SHALL NOT BE LIABLE FOR SPECIAL, INDIRECT, INCIDENTAL, OR CONSEQUENTIAL DAMAGES, LOSS OF PROFITS OR PRODUCTION OR COMMERCIAL LOSS IN ANY WAY CONNECTED WITH THE PRODUCTS, WHETHER SUCH CLAIM IS BASED IN CONTRACT, WARRANTY, NEGLIGENCE OR STRICT LIABILITY. Further, in no event shall liability of Omron Companies exceed the individual price of the Product on which liability is asserted.
15. **Indemnities.** Buyer shall indemnify and hold harmless Omron Companies and their employees from and against all liabilities, losses, claims, costs and expenses (including attorney's fees and expenses) related to any claim, investigation, litigation or proceeding (whether or not Omron is a party) which arises or is alleged to arise from Buyer's acts or omissions under these Terms or in any way with respect to the Products. Without limiting the foregoing, Buyer (at its own expense) shall indemnify and hold harmless Omron and defend or settle any action brought against such Companies to the extent based on a claim that any Product made to Buyer specifications infringed intellectual property rights of another party.
16. **Property; Confidentiality.** Any intellectual property in the Products is the exclusive property of Omron Companies and Buyer shall not attempt to duplicate it in any way without the written permission of Omron. Notwithstanding any charges to Buyer for engineering or tooling, all engineering and tooling shall remain the exclusive property of Omron. All information and materials supplied by Omron to Buyer relating to the Products are confidential and proprietary, and Buyer shall limit distribution thereof to its trusted employees and strictly prevent disclosure to any third party.
17. **Export Controls.** Buyer shall comply with all applicable laws, regulations and licenses regarding (i) export of products or information; (iii) sale of products to "forbidden" or other proscribed persons; and (ii) disclosure to non-citizens of regulated technology or information.
18. **Miscellaneous.** (a) **Waiver.** No failure or delay by Omron in exercising any right and no course of dealing between Buyer and Omron shall operate as a waiver of rights by Omron. (b) **Assignment.** Buyer may not assign its rights hereunder without Omron's written consent. (c) **Law.** These Terms are governed by the law of the jurisdiction of the home office of the Omron company from which Buyer is purchasing the Products (without regard to conflict of law principles). (d) **Amendment.** These Terms constitute the entire agreement between Buyer and Omron relating to the Products, and no provision may be changed or waived unless in writing signed by the parties. (e) **Severability.** If any provision hereof is rendered ineffective or invalid, such provision shall not invalidate any other provision. (f) **Setoff.** Buyer shall have no right to set off any amounts against the amount owing in respect of this invoice. (g) **Definitions.** As used herein, "including" means "including without limitation"; and "Omron Companies" (or similar words) mean Omron Corporation and any direct or indirect subsidiary or affiliate thereof.

Certain Precautions on Specifications and Use

1. **Suitability of Use.** Omron Companies shall not be responsible for conformity with any standards, codes or regulations which apply to the combination of the Product in the Buyer's application or use of the Product. At Buyer's request, Omron will provide applicable third party certification documents identifying ratings and limitations of use which apply to the Product. This information by itself is not sufficient for a complete determination of the suitability of the Product in combination with the end product, machine, system, or other application or use. Buyer shall be solely responsible for determining appropriateness of the particular Product with respect to Buyer's application, product or system. Buyer shall take application responsibility in all cases but the following is a non-exhaustive list of applications for which particular attention must be given:
 - (i) Outdoor use, uses involving potential chemical contamination or electrical interference, or conditions or uses not described in this document.
 - (ii) Use in consumer products or any use in significant quantities.
 - (iii) Energy control systems, combustion systems, railroad systems, aviation systems, medical equipment, amusement machines, vehicles, safety equipment, and installations subject to separate industry or government regulations.
 - (iv) Systems, machines and equipment that could present a risk to life or property. Please know and observe all prohibitions of use applicable to this Product.

NEVER USE THE PRODUCT FOR AN APPLICATION INVOLVING SERIOUS RISK TO LIFE OR PROPERTY OR IN LARGE QUANTITIES WITHOUT ENSURING THAT THE SYSTEM AS A WHOLE HAS BEEN DESIGNED TO ADDRESS THE RISKS, AND THAT THE OMRON'S PRODUCT IS PROPERLY RATED AND INSTALLED FOR THE INTENDED USE WITHIN THE OVERALL EQUIPMENT OR SYSTEM.
2. **Programmable Products.** Omron Companies shall not be responsible for the user's programming of a programmable Product, or any consequence thereof.
3. **Performance Data.** Data presented in Omron Company websites, catalogs and other materials is provided as a guide for the user in determining suitability and does not constitute a warranty. It may represent the result of Omron's test conditions, and the user must correlate it to actual application requirements. Actual performance is subject to the Omron's Warranty and Limitations of Liability.
4. **Change in Specifications.** Product specifications and accessories may be changed at any time based on improvements and other reasons. It is our practice to change part numbers when published ratings or features are changed, or when significant construction changes are made. However, some specifications of the Product may be changed without any notice. When in doubt, special part numbers may be assigned to fix or establish key specifications for your application. Please consult with your Omron's representative at any time to confirm actual specifications of purchased Product.
5. **Errors and Omissions.** Information presented by Omron Companies has been checked and is believed to be accurate; however, no responsibility is assumed for clerical, typographical or proofreading errors or omissions.

OMRON AUTOMATION AMERICAS HEADQUARTERS • Chicago, IL USA • 847.843.7900 • 800.556.6766 • www.omron247.com

OMRON CANADA, INC. • HEAD OFFICE

Toronto, ON, Canada • 416.286.6465 • 866.986.6766 • www.omron247.com

OMRON ELECTRONICS DE MEXICO • HEAD OFFICE

México DF • 52.55.59.01.43.00 • 01-800-226-6766 • mela@omron.com

OMRON ELECTRONICS DE MEXICO • SALES OFFICE

Apodaca, N.L. • 52.81.11.56.99.20 • 01-800-226-6766 • mela@omron.com

OMRON ELETRÔNICA DO BRASIL LTDA • HEAD OFFICE

São Paulo, SP, Brasil • 55.11.2101.6300 • www.omron.com.br

OMRON ARGENTINA • SALES OFFICE

Cono Sur • 54.11.4783.5300

OMRON CHILE • SALES OFFICE

Santiago • 56.9.9917.3920

OTHER OMRON LATIN AMERICA SALES

54.11.4783.5300

OMRON EUROPE B.V. • Wegalaan 67-69, NL-2132 JD, Hoofddorp, The Netherlands. • +31 (0) 23 568 13 00 • www.industrial.omron.eu

Authorized Distributor:

Controllers & I/O

- Machine Automation Controllers (MAC) • Motion Controllers
- Programmable Logic Controllers (PLC) • Temperature Controllers • Remote I/O

Robotics

- Industrial Robots • Mobile Robots

Operator Interfaces

- Human Machine Interface (HMI)

Motion & Drives

- Machine Automation Controllers (MAC) • Motion Controllers • Servo Systems
- Frequency Inverters

Vision, Measurement & Identification

- Vision Sensors & Systems • Measurement Sensors • Auto Identification Systems

Sensing

- Photoelectric Sensors • Fiber-Optic Sensors • Proximity Sensors
- Rotary Encoders • Ultrasonic Sensors

Safety

- Safety Light Curtains • Safety Laser Scanners • Programmable Safety Systems
- Safety Mats and Edges • Safety Door Switches • Emergency Stop Devices
- Safety Switches & Operator Controls • Safety Monitoring/Force-guided Relays

Control Components

- Power Supplies • Timers • Counters • Programmable Relays
- Digital Panel Meters • Monitoring Products

Switches & Relays

- Limit Switches • Pushbutton Switches • Electromechanical Relays
- Solid State Relays

Software

- Programming & Configuration • Runtime

X-ON Electronics

Largest Supplier of Electrical and Electronic Components

Click to view similar products for [Basic / Snap Action Switches](#) category:

Click to view products by [Omron](#) manufacturer:

Other Similar products are found below :

[83228001](#) [01.098.1358.1](#) [602EN532](#) [602EN535-RB](#) [602HE5-RB1](#) [604HE162](#) [604HE223-6B](#) [624HE17-RB](#) [6HM89](#) [6PA78-JM](#) [6SE1](#)
[6SX1-H58](#) [70500216](#) [70500840](#) [70599106](#) [MBD5B1](#) [MBH2731](#) [73-316-0012](#) [79211759](#) [79211923](#) [79218589](#) [7AS12](#) [ML-1155](#) [ML-1376](#)
[831010C3.0](#) [831090C2.EL](#) [83131904](#) [84212012](#) [8AS239](#) [8HM73-3](#) [903VB1-PG](#) [914CE1-6G](#) [PL-100](#) [11SM1077-H4](#) [11SM1077-H58](#)
[11SM1-TN107](#) [11SM405](#) [11SM8423-H2](#) [11SX37-T](#) [11SX48-H58](#) [11SX55-H58](#) [11SM2442-T](#) [11SM76-T](#) [11SM77-H58](#) [11SM77-T](#)
[11SM863-T](#) [11SM866](#) [11SX47-H58](#) [A7CN-1M-1-LEFT](#) [A831700C7.0](#)