


A165S/W

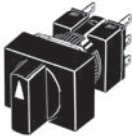
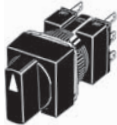
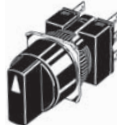
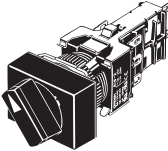
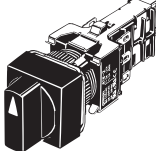
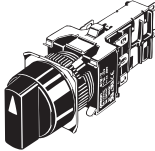
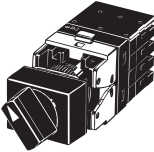
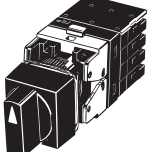
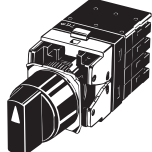
Separate Construction with Cylindrical 16-dia. Body

- Same separate construction as the A16-series Pushbuttons with Miniature Design of 28.5 mm
- The same contacts can be used for both standard loads and microloads.
- Oil-resistant IP65 models
- Conforms to EN60947-5-1.



 Refer to *Safety Precautions for All Pushbutton Switches/ Indicators* and *Safety Precautions* on page 15.

List of Models

| | Model | | |
|-----------------------------------|---|---|---|
| | Rectangular | Square | Round |
| Solder terminals |  <p>A165□-J Series</p> |  <p>A165□-A Series</p> |  <p>A165□-T Series</p> |
| Voltage-reduction lighting |  <p>A165□-J Series</p> |  <p>A165□-A Series</p> |  <p>A165□-T Series</p> |
| Screw-less clamp connector |  <p>A165□-J Series</p> |  <p>A165□-A Series</p> |  <p>A165□-T Series</p> |

Model Number Structure

Model Number Legend The model numbers used to order sets of Units are illustrated below. One set comprises the Selector, Lamp (lighted models only), and Switch.
For information on combinations, refer to *Ordering Information* on page 3.

(1) (2) (3) (4) (5) (6)
A 1 6 5 W - A 2 A R - 2 4 D - 1

(1) Lighted/ Non-lighted

| Symbol | Type |
|--------|-------------|
| S | Non-lighted |
| W | Lighted |

(2) Shape of Selector

| Symbol | Shape |
|--------|-------------|
| J | Rectangular |
| A | Square |
| T | Round |

(3) Number of Notches/ Resetting Method

| Symbol | No. of notches | Reset method |
|--------|----------------|----------------|
| 2M | 2 notches | Manual ↓ |
| | | Automatic ◇ |
| 3M | 3 notches | Manual ↓ |
| | | Automatic ◇ |

(4) Color of Selector

| Symbol | Color |
|-----------|---------------------------------|
| No symbol | Black (non-lighted models only) |
| R | Red |
| G | Green |
| Y | Yellow |

(6) Contact Configuration

| Symbol | Type | Terminal |
|--------|------|------------------|
| 1 | SPDT | Solder terminal |
| 2 | DPDT | |
| 1P | SPDT | PCB terminal |
| 2P | DPDT | |
| 2S | DPDT | Screw-less Clamp |

Note: 1. Only DPDT contacts are available with 3-notch models and Screw-less Clamp models.
2. PCB terminals are available only with 2-notch models.

(5) Light Source

| Symbol | Type |
|-----------|-------------|
| No symbol | Non-lighted |
| 24D | 24-V LED |

Voltage Reduction Unit (24-V Built-in LED)

| Symbol | Type | Operating voltage | Rated voltage |
|--------|------|-------------------|---------------|
| T1 | LED | 100/110 VAC/VDC | 110 VAC/VDC |
| T2 | | 200/220 VAC/VDC | 220 VAC/VDC |

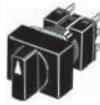
Note: 1. Solder terminals are only available with 100-V models.
2. The Voltage Reduction Unit is not available for models with PCB terminals.
3. "T2" is available only for the Screw-less Clamp type.

Ordering Information

Ordering as a Set The model numbers used to order sets of Units are given in the following tables. One set comprises the Selector, Lamp (lighted models only), and Switch.

Solder Terminals

Rectangular



A165□-J

Oil-resistant IP65

| No. of notches | Output | Reset method | Lighting method | Model |
|----------------|--------|--------------|-----------------|------------------|
| 2 notches | SPDT | Manual | LED | A165W-J2M□-24D-1 |
| | | | Non-lighted | A165S-J2M-1 |
| | | Automatic | LED | A165W-J2A□-24D-1 |
| | | | Non-lighted | A165S-J2A-1 |
| | DPDT | Manual | LED | A165W-J2M□-24D-2 |
| | | | Non-lighted | A165S-J2M-2 |
| 3 notches | DPDT | Automatic | LED | A165W-J2A□-24D-2 |
| | | | Non-lighted | A165S-J2A-2 |
| | | Manual | LED | A165W-J3M□-24D-2 |
| | | | Non-lighted | A165S-J3M-2 |

Note: Enter the desired color symbol for the Selector in □: R (red); Y (yellow); G (green). The Selector for non-lighted models is black.

Square



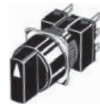
A165□-A

Oil-resistant IP65

| No. of notches | Output | Reset method | Lighting method | Model |
|----------------|--------|--------------|-----------------|------------------|
| 2 notches | SPDT | Manual | LED | A165W-A2M□-24D-1 |
| | | | Non-lighted | A165S-A2M-1 |
| | | Automatic | LED | A165W-A2A□-24D-1 |
| | | | Non-lighted | A165S-A2A-1 |
| | DPDT | Manual | LED | A165W-A2M□-24D-2 |
| | | | Non-lighted | A165S-A2M-2 |
| 3 notches | DPDT | Automatic | LED | A165W-A2A□-24D-2 |
| | | | Non-lighted | A165S-A2A-2 |
| | | Manual | LED | A165W-A3M□-24D-2 |
| | | | Non-lighted | A165S-A3M-2 |

Note: Enter the desired color symbol for the Selector in □: R (red); Y (yellow); G (green). The Selector for non-lighted models is black.

Round



A165□-T

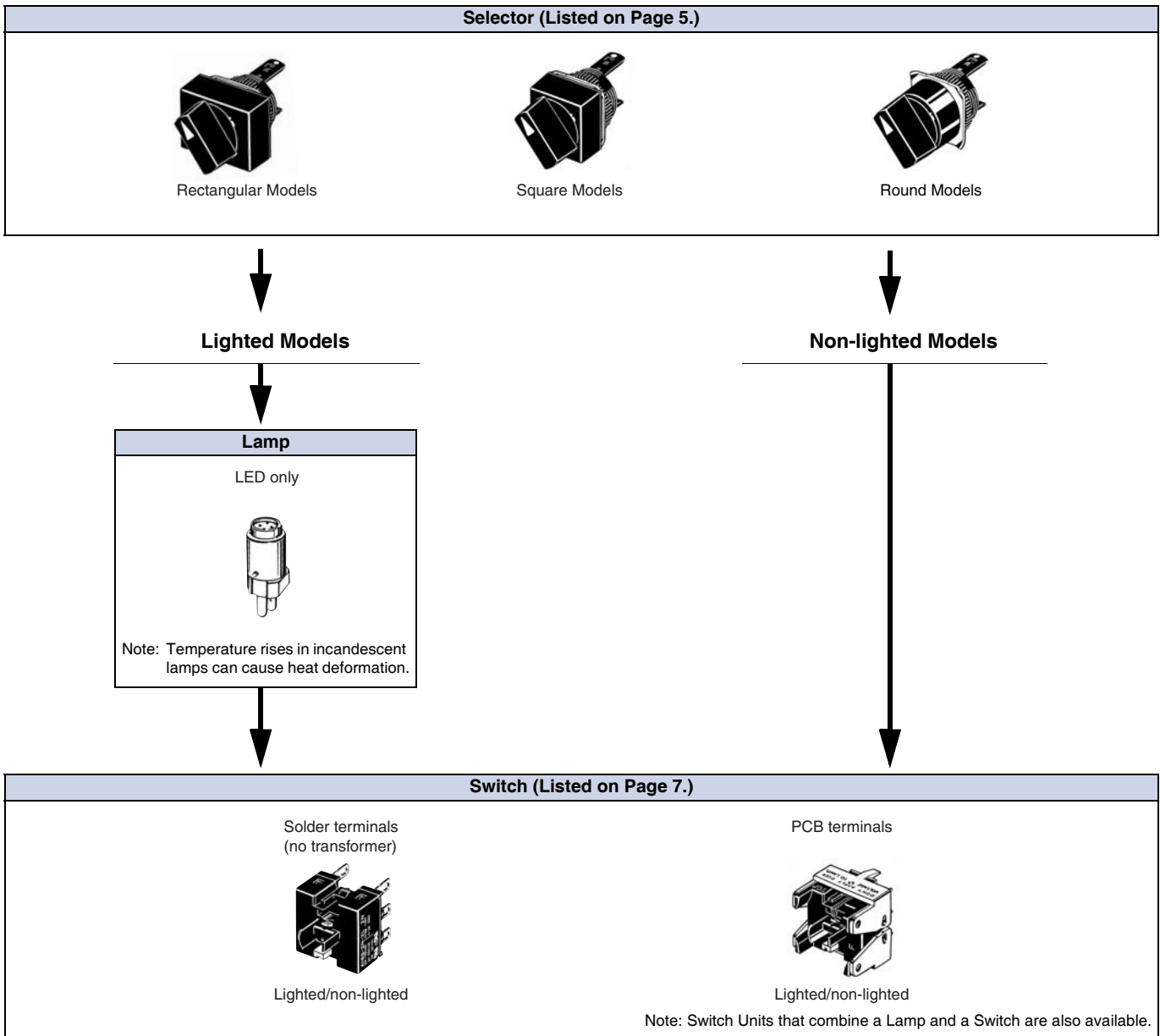
Oil-resistant IP65

| No. of notches | Output | Reset method | Lighting method | Model |
|----------------|--------|--------------|-----------------|------------------|
| 2 notches | SPDT | Manual | LED | A165W-T2M□-24D-1 |
| | | | Non-lighted | A165S-T2M-1 |
| | | Automatic | LED | A165W-T2A□-24D-1 |
| | | | Non-lighted | A165S-T2A-1 |
| | DPDT | Manual | LED | A165W-T2M□-24D-2 |
| | | | Non-lighted | A165S-T2M-2 |
| 3 notches | DPDT | Automatic | LED | A165W-T2A□-24D-2 |
| | | | Non-lighted | A165S-T2A-2 |
| | | Manual | LED | A165W-T3M□-24D-2 |
| | | | Non-lighted | A165S-T3M-2 |

Note: Enter the desired color symbol for the Selector in □: R (red); Y (yellow); G (green). The Selector for non-lighted models is black.

Ordering Information










Ordering Individually Selectors, Lamps, and Switches can be ordered separately. Combinations that are not available as sets can be created using individual Units. Also, store the parts as spares for maintenance and repairs.



Ordering Information

Ordering Individually Selectors, Lamps, and Switches (Sockets) can be ordered separately. Combinations that are not available as sets can be created using individual Units. Also, store the parts as spares for maintenance and repairs.

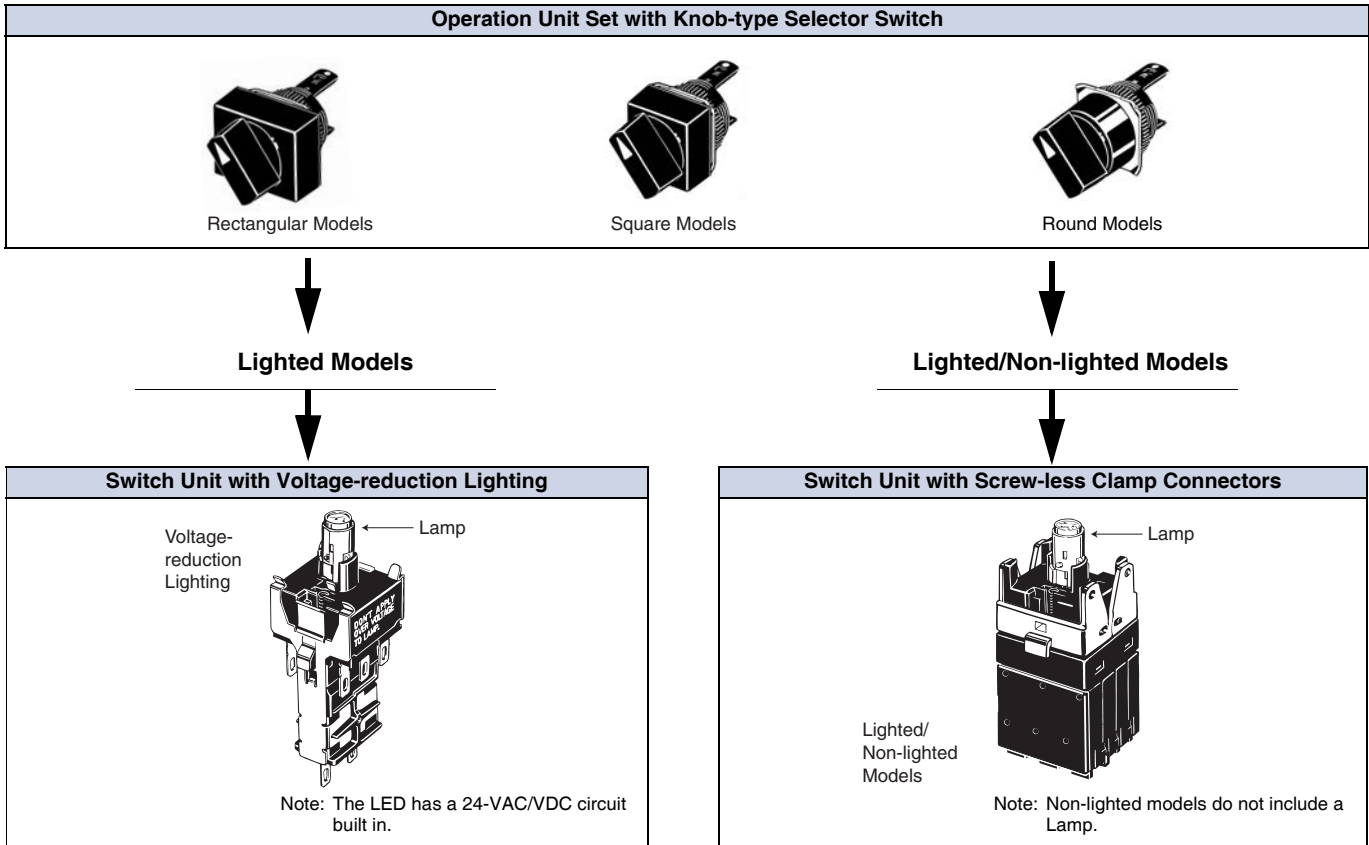
Selectors (Oil-resistant IP65 Models Only)

| Appearance | Number of notches | Reset method | Lighting method | Model | Selector color symbol |
|---|-------------------|---|-----------------|------------|---|
| Rectangular (A165□-J)  | 2 notches | Manual | LED | A165W-J2M□ | Enter the desired color symbol for the Selector in □. R (red), Y (yellow), G (green) |
| | | Automatic  | Non-lighted | A165S-J2M | |
| | 3 notches | Manual | LED | A165W-J2A□ | |
| | | | Non-lighted | A165S-J2A | |
| | | Fully automatic  | LED | A165W-J3M□ | |
| | | | Non-lighted | A165S-J3A | |
| Square (A165□-A)  | 2 notches | Manual | LED | A165W-A2M□ | Enter the desired color symbol for the Selector in □. R (red), Y (yellow), G (green) |
| | | Automatic  | Non-lighted | A165S-A2M | |
| | 3 notches | Manual | LED | A165W-A2A□ | |
| | | | Non-lighted | A165S-A2A | |
| | | Fully automatic  | LED | A165W-A3M□ | |
| | | | Non-lighted | A165S-A3M | |
| Round (A165□-T)  | 2 notches | Manual | LED | A165W-T2M□ | Enter the desired color symbol for the Selector in □. R (red), Y (yellow), G (green) |
| | | Automatic  | Non-lighted | A165S-T2M | |
| | 3 notches | Manual | LED | A165W-T2A□ | |
| | | | Non-lighted | A165S-T2A | |
| | | Fully automatic  | LED | A165W-T3M□ | |
| | | | Non-lighted | A165S-T3M | |
| | | LED | A165W-T3A□ | | |
| | | Non-lighted | A165S-T3A | | |

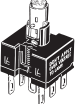
Note: The selector for non-lighted models is black.

Ordering Information


Sets Select an Operation Unit and a Switch Unit (Lamp and Switch).



Switch Units (A Switch Unit includes a Switch and a Lamp.)

| Appearance | Number of notches | Classification | Model |
|---|-------------------|----------------|----------------|
|  | 2 notches | SPDT | A16W-2N□-24D-1 |
| | | DPDT | A16W-2N□-24D-2 |
| | 3 notches | DPDT | A16W-3N□-24D-2 |

Switch Units with Voltage Reduction Units (Solder Terminals)

| Appearance | Classification | Operating voltage | Model |
|---|-------------------------------|-------------------|-------|
|  | Standard loads and microloads | 2 notches | SPDT |
| | | 2 notches | DPDT |
| | 3 notches | 100/110 VAC/VDC | |


Note: The LED has a 24-VAC/VDC circuit built in.

Insert one of the following letters into the box (□).

| Symbol | Light color |
|--------|-------------|
| R | Red |
| Y | Yellow |
| G | Green |

Ordering Information

Switch Units with Screw-less Clamp Connectors

| Appearance | Classification | | | Model | Remarks | |
|---|-------------------------------|----------------------------|-------------------------------|-------------------------------|------------------------|---|
|  | Standard loads and microloads | 2 notches DPDT | Non-lighted | | A16-2S | Used for Pushbutton Switches and Knob-type Selector Switches. |
| | | | Lighted | No voltage-reduction lighting | | |
| | | Voltage-reduction lighting | | 100/110 VAC/VDC | A16L-Δ-T1-2S | |
| | | | 200/220 VAC/VDC | A16L-Δ-T2-2S | | |
| | 3 notches DPDT | Non-lighted | | A16S-3N-2LS | | |
| | | Lighted | No voltage-reduction lighting | | A16W-3NΔ-□-2S | |
| | | | Voltage-reduction lighting | 100/110 VAC/VDC | A16W-3N-Δ-T1-2S | |
| | | 200/220 VAC/VDC | | A16W-3N-Δ-T2-2S | | |

Note: The 100-V models and 200-V models have a 24-VAC/VDC circuit built in.

Insert symbols in Δ and □.

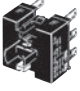

Δ

| Symbol | Light color |
|--------|-------------|
| R | Red |
| Y | Yellow |
| G | Green |


□

| Symbol | Type | Operating voltage |
|--------|------|-------------------|
| 5D | LED | 5 VDC |
| 12D | | 12 VAC/VDC |
| 24D | | 24 VAC/VDC |

Ordering Individually Switches


| Appearance | Classification | | | Model | | |
|--|----------------|---|-----------|-------|-----------------|--------------------|
|  | Lighted | Switches (without voltage-reduction lighting) | 2 notches | SPDT | Solder terminal | A16S-2N-1L |
| | | | 3 notches | DPDT | | A16S-2N-2L |
| | | | 2 notches | SPDT | | A16S-3N-2L |
| | Non-lighted | | 2 notches | DPDT | | A16S-2N-1 |
| | | | 3 notches | DPDT | | A16S-2N-2 |
| | | | 3 notches | DPDT | | A16S-3N-2 |
|  | Lighted | Switches (without voltage-reduction lighting) | 2 notches | SPDT | PCB terminal | A16S-2N-1LP |
| | | | 3 notches | DPDT | | A16S-2N-2LP |
| | | | 2 notches | SPDT | | A16S-3N-2LP |
| | Non-lighted | | 2 notches | DPDT | | A16S-2N-1P |
| | | | 3 notches | DPDT | | A16S-2N-2P |
| | | | 3 notches | DPDT | | A16S-3N-2P |

Lamps



| Operating voltage | Super-bright  | | |
|-------------------|--|------------------|------------------|
| | 5 VDC | 12 VAC/VDC | 24 VAC/VDC |
| Light color | | | |
| Red | A16-5DSR | A16-12DSR | A16-24DSR |
| Yellow | A16-5DSY | A16-12DSY | A16-24DSY |
| Green | A16-5DSG | A16-12DSG | A16-24DSG |

Accessories and Tools (Order Separately)

Accessories

| Name | Appearance | Classification | Model | Remarks |
|-------------|---|----------------|-------------------|---|
| Panel Plugs |  | Rectangular | A16ZJ-3003 | Used for covering the panel cut-outs for future panel expansion. Degree of protection: IP40 |
| | | Square | A16ZA-3003 | |
| | | Round | A16ZT-3003 | |

Tools

| Name | Appearance | Model | Applicable types | | | | | Remarks |
|---------------|---|------------------|-------------------|---------------------------|--------------------------|-----------------------|-----------|--|
| | | | Pushbutton Switch | Knob-type Selector Switch | Key-type Selector Switch | Emergency Stop Switch | Indicator | |
| Screw Fitting |  | A16Z-3004 | Yes | Yes | Yes | Yes | Yes | Convenient for ganged installation. Tighten to a torque of 0.39 N·m min. |
| Extractor |  | A16Z-5080 | Yes | Yes | Yes | Yes | Yes | Convenient for extracting the Switches and Lamps. |

Ordering as a Set: Refer to page 3.

- Specifications and dimensions: Refer to pages 8 to 10.
- Accessories, replacements, and tools: Refer to this page

Specifications

Approved Standard Ratings

UL, cUL (File No. E41515)

5 A at 125 VAC, 3 A at 250 VAC (general use)
3 A at 30 VDC (resistive)

Note: Certification has been obtained for the Switch.
For detailed information on individual products that have received certification, consult your supplier.

TÜV (EN60947-5-1) (Low Voltage Directive)

3 A at 250 VAC
3 A at 30 VDC

CCC (GB14048.5)

5 A at 125 VAC
3 A at 250 VAC
3 A at 30 VDC

Ratings

Switch Ratings

| Rated voltage | Resistive load |
|---------------|----------------|
| 125 VAC | 5 A |
| 250 VAC | 3 A |
| 30 VDC | 3 A |

Minimum applicable load: 1 mA at 5 VDC

Rated values are obtained from tests conducted under the following conditions.

1. Load: Resistive load
2. Mounting conditions: No vibration and no shock
3. Temperature: 20±2°C
4. Operating frequency: 20 times/min


Characteristics

Socket Unit

| Item | Type | Knob-type Selector Switch |
|---------------------------------|---|--|
| Allowable operating frequency | Mechanical | 20 operations/minute max. |
| | Electrical | 10 operations/minute max. |
| Insulation resistance | | 100 MΩ min. (at 500V DC) |
| Contact resistance | | 100 mΩ max. (initial value) |
| Dielectric strength | Between terminals of same polarity | 1,000 VAC, 50/60 Hz for 1 min |
| | Between terminals of different polarity | 2,000 VAC, 50/60 Hz for 1 min |
| | Between each terminal and ground | 2,000 VAC, 50/60 Hz for 1 min |
| | Between lamp terminals | 1,000 VAC, 50/60 Hz for 1 min* |
| Vibration resistance | Malfunction | 10 to 55 Hz, 1.5-mm double amplitude (malfunction within 1 ms) |
| Shock resistance | Destruction | 500 m/s ² max. |
| | Malfunction | 150 m/s ² max. (malfunction within 1 ms) |
| Durability | Mechanical | 250,000 operations min. |
| | Electrical | 100,000 operations min. |
| Electric shock protection class | | Class II |
| PTI (tracking characteristic) | | 175 |
| Degree of contamination | | 3 (IEC60947-5-1) |
| Weight | | Approx. 13 g (in the case of a lighted DPDT switch) |
| Ambient operating temperature | | -10°C to 55°C (with no icing or condensation) |
| Ambient operating humidity | | 35% to 85%RH |
| Ambient storage temperature | | -25°C to 65°C (with no icing or condensation) |

* With LED not mounted.
(Perform testing with the LED not mounted.)

Contact Form

| Name | Contact form |
|------|---|
| SPDT |  |

Super-bright LED

| Rated voltage | Rated current | Operating voltage | Internal limiting resistor |
|---------------|---------------|-------------------|------------------------------------|
| 5 VDC | 8 mA | 5 VDC±5% | Red, yellow: 300 Ω Green: 160 Ω |
| 12 VAC/VDC | | 12 VAC/VDC±5% | Red, yellow: 1 kΩ Green: 910 Ω |
| 24 VAC/VDC | | 24 VAC/VDC±5% | 2.4 kΩ |

Screw-less Clamp

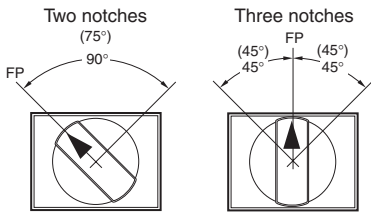
| Item | Type | Screw-less Clamp | | | |
|-----------------------------------|------------------|--|---------------------|----------------------|----------------------|
| Recommended wire size | | 0.5 mm ² twisted wire or 0.8 mm-dia. solid wire | | | |
| Usable wires and tensile strength | Twisted wire | 0.3 mm ² | 0.5 mm ² | 0.75 mm ² | 1.25 mm ² |
| | Solid wire | 0.5 mm dia. | 0.8 mm dia. | 1.0 mm dia. | --- |
| | Tensile strength | 10 N | 20 N | 30 N | 40 N |
| Length of exposed wire | | 10 ±1 mm | | | |
| Compliant standards | | JIS C 2811 Terminal Blocks for Industrial Use | | | |

Operating Characteristics

| Characteristics | Type | Knob-type Selector Switch | |
|----------------------------|------|---------------------------|---------------------------------|
| | | 2 notches | 3 notches |
| Operating torque (OF) max. | | 0.1 N·m | |
| Set position (SP) | | 90±5° | 45° ⁺¹⁰ ₀ |

Specifications

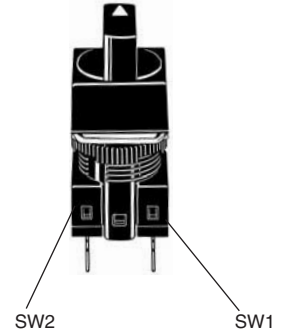
Operation Angle



Note: The angle used for automatic reset is shown in parentheses.
FP: Free Position

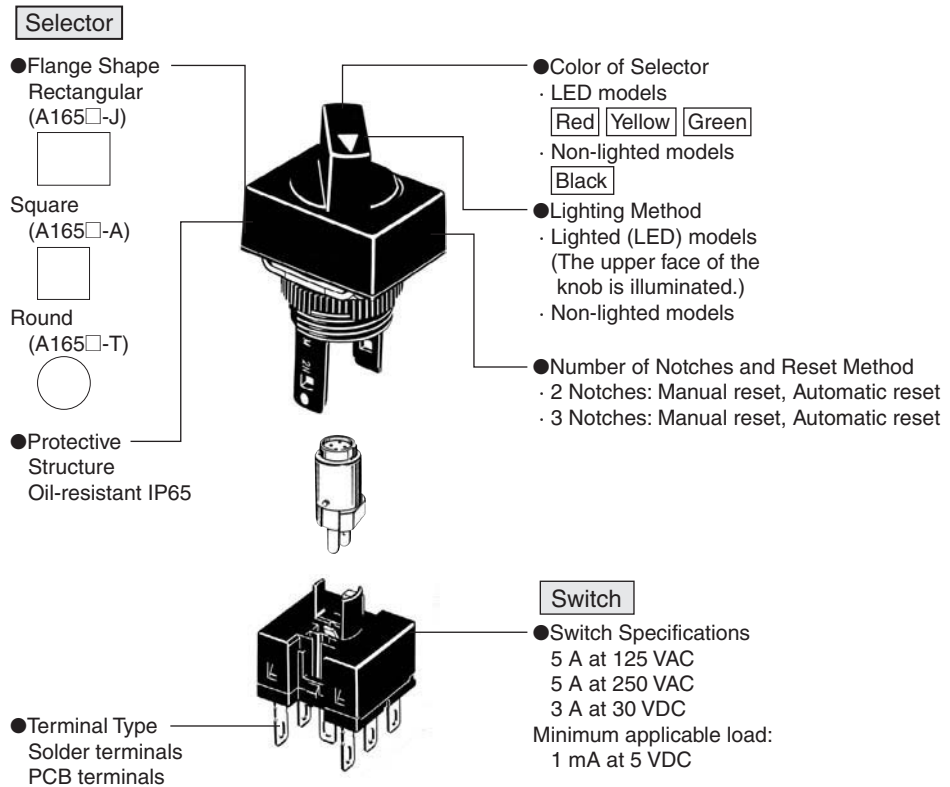
Contact Form

| No. of notches | Contact from | | | | |
|----------------|--------------|----|----------|-----|-----|
| | SPDT | | DPDT | | |
| | Position | SW | Position | SW2 | SW1 |
| 2 notches | | | | | |
| | | | | | |
| 3 notches | --- | | | | |
| | --- | | | | |
| | --- | | | | |



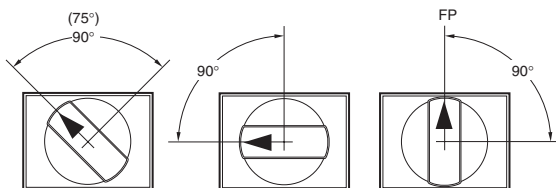
Nomenclature

Model structure



The flange can be rotated to easily change the operation angle of the knob.

For information on rotating the flange, refer to page 14.
Example: Knob-type Selector Switch with Two Notches



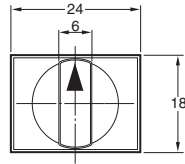
(Standard condition when shipped)
Note: The angle is 75° for self-resetting models.

Dimensions

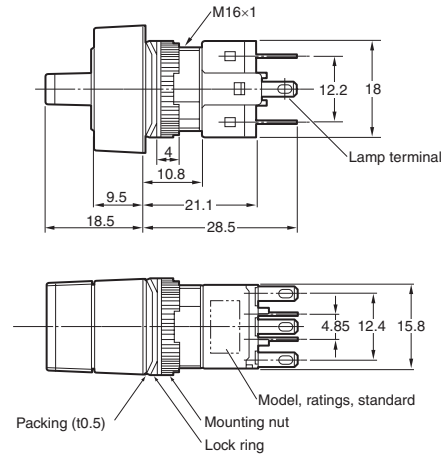
- The Dimension shows 2-switch outputs.
- The lamp terminal is not provided with non-lighted models.

(Unit: mm)

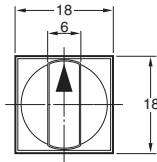
Rectangular A165□-J Solder terminals (tab terminals #110)



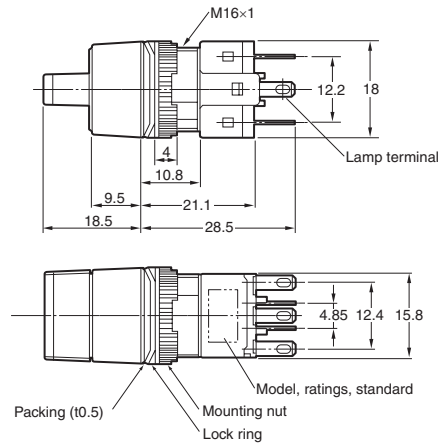
Note: See page 12 for panel cutouts.



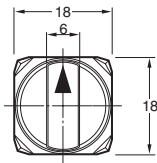
Square A165□-A Solder terminals (tab terminals #110)



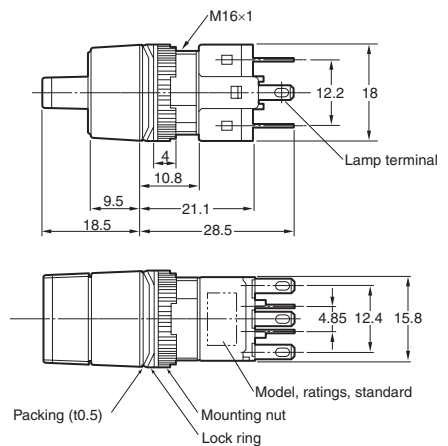
Note: See page 12 for panel cutouts.



Round A165□-T Solder terminals (tab terminals #110)



Note: See page 12 for panel cutouts.

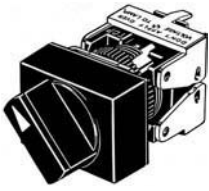


Dimensions

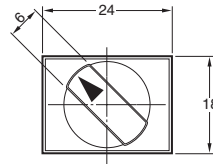
- The Dimension shows 2-switch outputs.
- A rectangular model is listed as an example.

(Unit: mm)

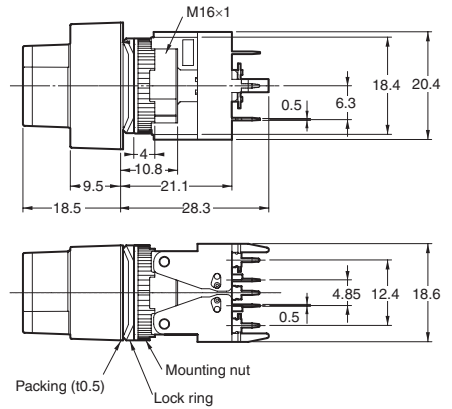
Rectangular A165□-J PCB terminals



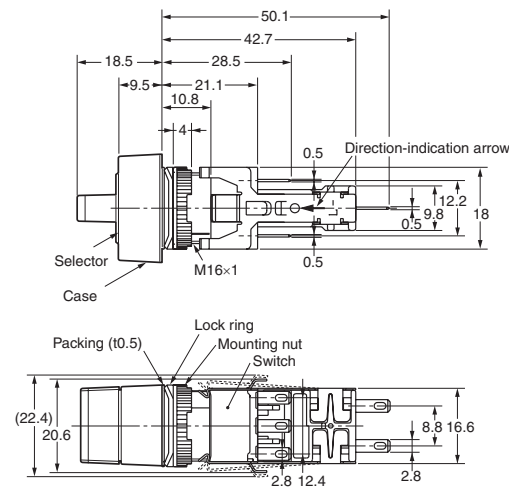
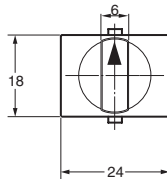
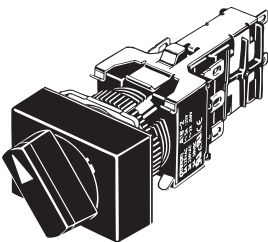
- The lamp terminal is not also provided with non-lighted models.



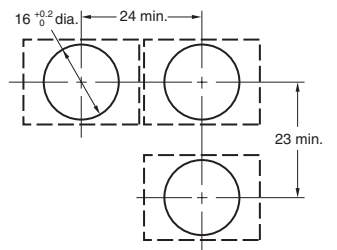
Note: See page 12 for panel cutouts.



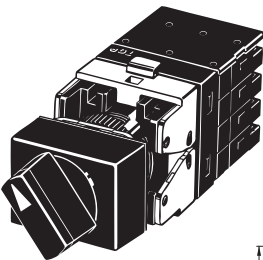
Rectangular A165W□-T Reduced-voltage lighting solder terminals (tab terminals #110)



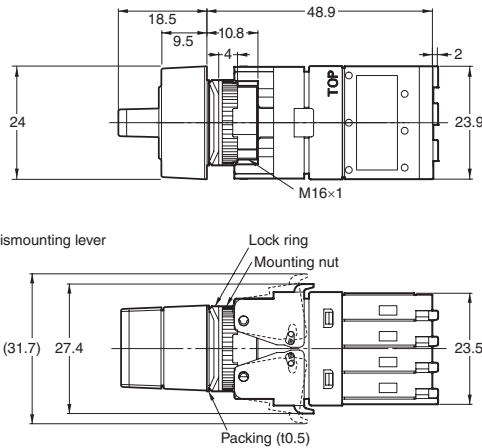
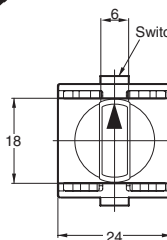
Panel Cutouts



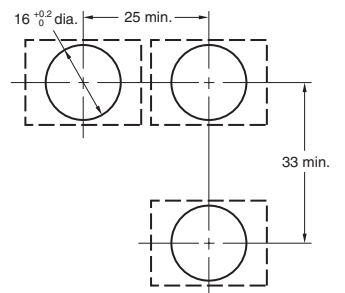
Rectangular A165□-2S Screw-Less Clamp



- The lamp terminal is also provided with non-lighted models.



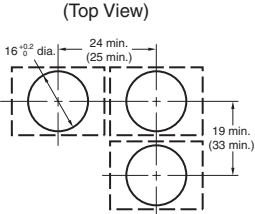
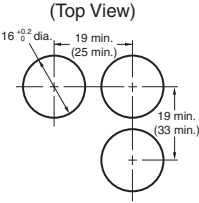
Panel Cutouts



Dimensions

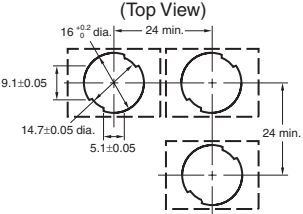
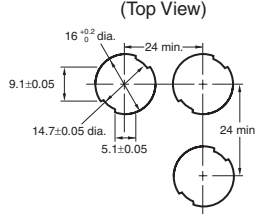
Panel Cutouts

Models with Solder Terminals and Models with Screw-less Clamp Connectors

| Rectangular A165□-J | Square A165□-A, Round A165□-T |
|---|---|
| <p>(Top View)</p>  | <p>(Top View)</p>  |

- Note: 1. Make sure the thickness of the mounting panel is 0.5 to 3.2 mm.
 2. If the panel is to be finished with coating, etc., make sure that the panel meets the specified dimensions after coating.
 3. Figures in parentheses are for screw-less clamp connectors.

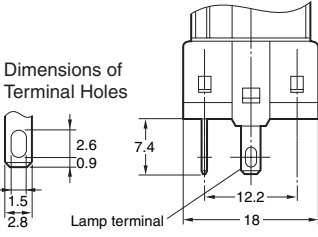
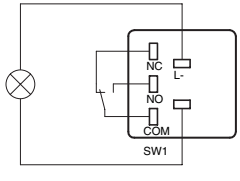
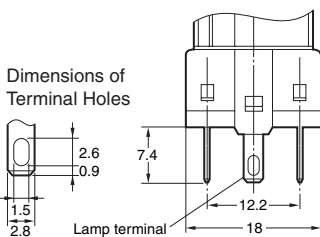
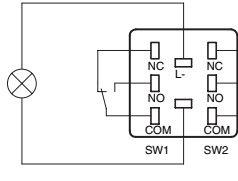
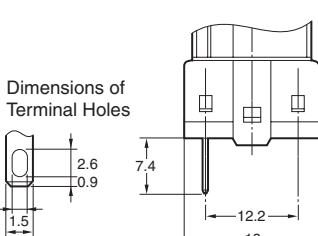
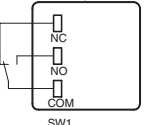
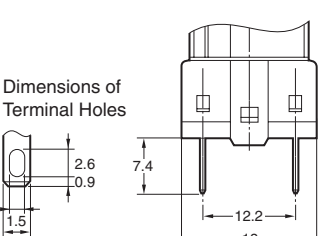
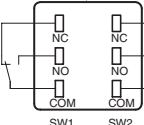
Models with PCB Terminals

| Rectangular A165□-J | Square A165□-A, Round A165□-T |
|---|--|
| <p>(Top View)</p>  | <p>(Top View)</p>  |

- Note: 1. Ensure that the variation in the distance between the centers of neighboring mounting holes is less than ± 0.1 mm.
 2. Make sure the thickness of the mounting panel is 0.5 to 3.2 mm. If, however, a Switch Guard or Dust Cover is used, the thickness of the mounting panel must be 0.5 to 2 mm.
 3. If the panel is to be finished with coating, etc., make sure that the panel meets the specified dimensions after coating.

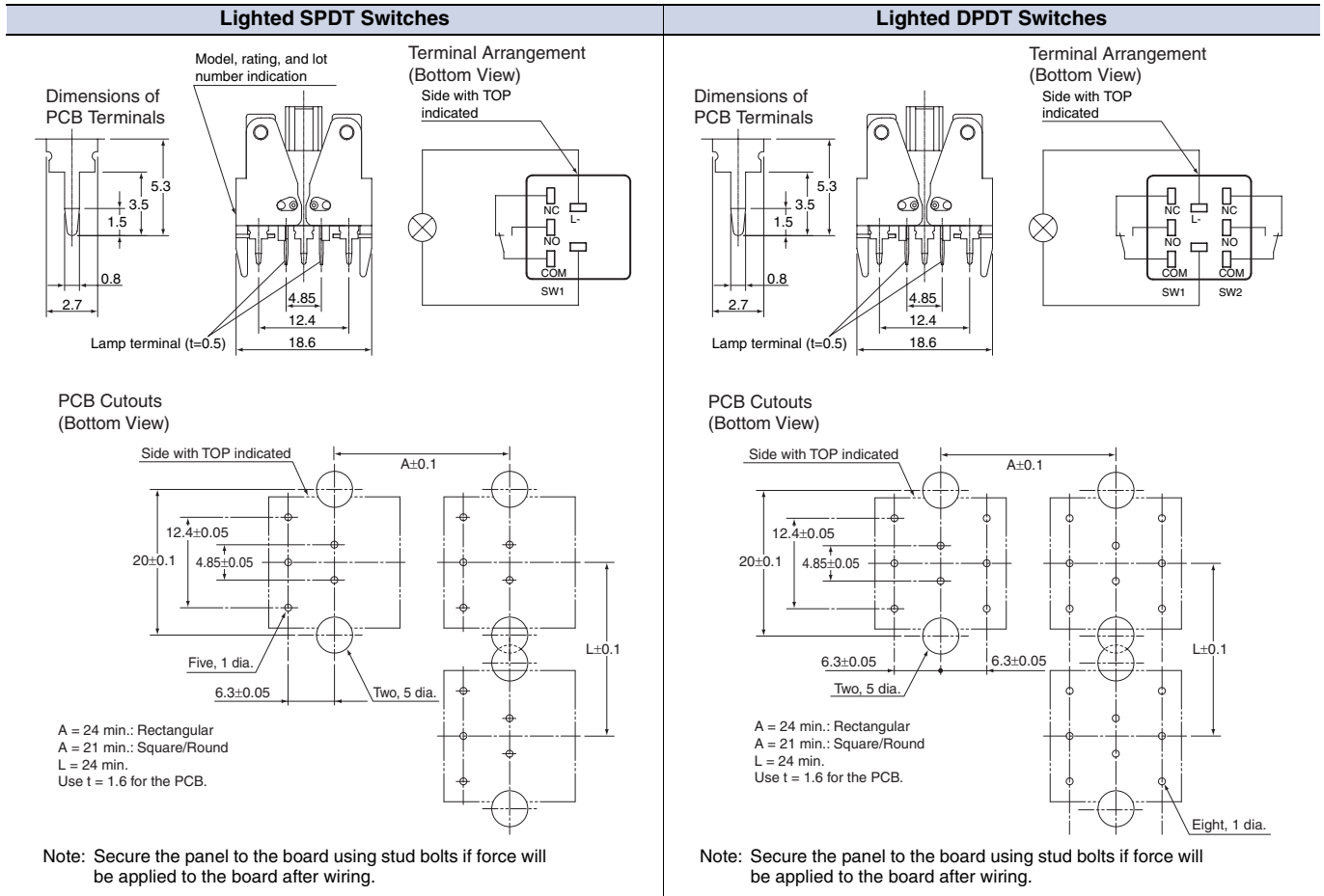
Terminal Arrangement

Models with Solder Terminals without Reduced-voltage Lighting (Lamp terminals are not provided with the Non-lighted Knob-type Selector Switches and Key-type Selector Switches.)

| Lighted SPDT Switches | Lighted DPDT Switches |
|---|--|
| <p>Dimensions of Terminal Holes</p>  <p>Terminal Arrangement (Bottom View)</p>  <p>Note: The L+ is not shown on the Switch.</p> | <p>Dimensions of Terminal Holes</p>  <p>Terminal Arrangement (Bottom View)</p>  <p>Note: The L+ is not shown on the Switch.</p> |
| Non-lighted SPDT Switches | Non-lighted DPDT Switches |
| <p>Dimensions of Terminal Holes</p>  <p>Terminal Arrangement (Bottom View)</p> <p>Side with TOP indicated</p>  | <p>Dimensions of Terminal Holes</p>  <p>Terminal Arrangement (Bottom View)</p> <p>Side with TOP indicated</p>  |

Dimensions

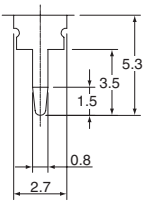
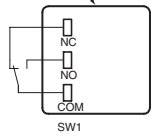
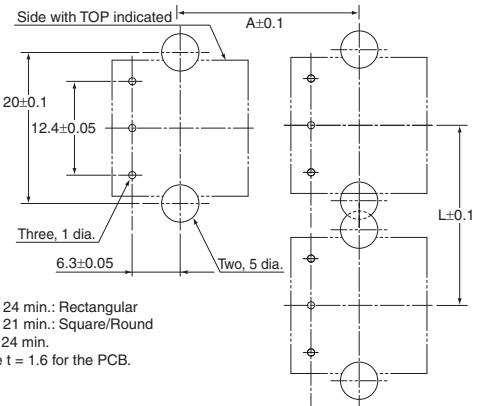
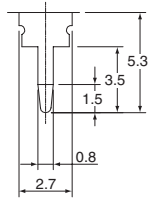
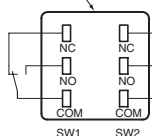
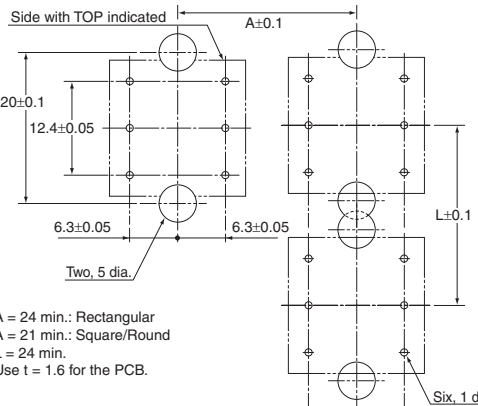
Models with PCB Terminals



Note: For details of the terminal arrangement for Screw-Less Clamps, refer to the corresponding section for the A16.

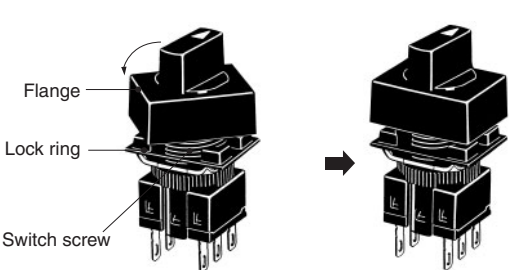
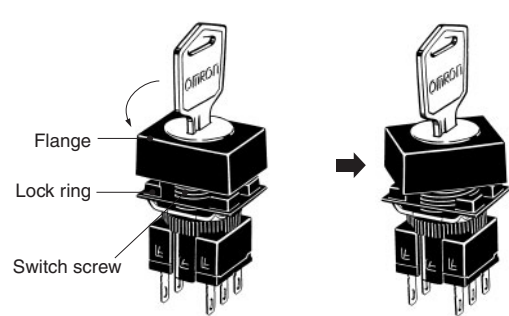
Dimensions

Non-lighted Models with PCB Terminals (Lamp terminals are not provided with the Non-lighted Knob-type Selector Switches and Key-type Selector Switches.)

| Non-lighted SPDT Switches | Non-lighted DPDT Switches |
|--|---|
| <p>Dimensions of PCB Terminals</p>  <p>Terminal Arrangement (Bottom View) Side with TOP indicated</p>  <p>PCB Cutouts (Bottom View)</p>  <p>A = 24 min.: Rectangular A = 21 min.: Square/Round L = 24 min. Use t = 1.6 for the PCB.</p> <p>Note: Secure the panel to the board using stud bolts if force will be applied to the board after wiring.</p> | <p>Dimensions of PCB Terminals</p>  <p>Terminal Arrangement (Bottom View) Side with TOP indicated</p>  <p>PCB Cutouts (Bottom View)</p>  <p>A = 24 min.: Rectangular A = 21 min.: Square/Round L = 24 min. Use t = 1.6 for the PCB.</p> <p>Note: Secure the panel to the board using stud bolts if force will be applied to the board after wiring.</p> |

For details on mounting the Switch to a panel, and mounting and dismantling the Switch, refer to installation details for the A16 Pushbutton Switch.

Flange Rotation (All Selector Switches)

| | |
|---|---|
| <p>A165 Knob-type Selector Switch Fix the Switch screw and rotate the flange in 45° turns.</p>  | <p>A165 Key-type Selector Switch Fix the Switch screw and rotate the flange in 45° turns.</p>  |
|---|---|

Safety Precautions

Refer to *Safety Precautions for All Pushbutton Switches/Indicators*.

⚠ WARNING

Do not apply a voltage between the incandescent lamp and the terminal that is greater than the rated voltage. If the incandescent lamp is broken, the operating part may pop out.



Always turn OFF the power and wait for 10 minutes before replacing the incandescent lamp. If the lamp is replaced immediately after the power is turned OFF, the remaining heat may cause burns.



Precautions for Correct Use

Mounting

- Always make sure that the power is turned OFF before mounting, removing, or wiring the Switch, or performing maintenance.
- Do not tighten the mounting nut more than necessary using tools such as pointed-nose pliers. Doing so will damage the mounting nut.
The tightening torque is 0.29 to 0.49 N·m.

Wiring

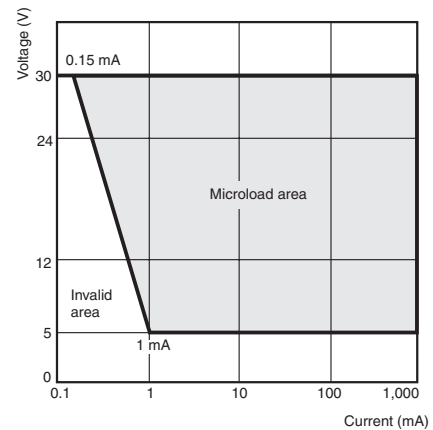
- Solder terminals and quick-connect terminals (#110) are commonly used for terminals.
- Be sure to use electrical wires that are a size appropriate for the applied voltage and carry current (conductor size is 0.5 to 0.75 mm²). Perform soldering according to the conditions provided below. If the soldering is not properly performed, the lead wires will become detached, resulting in short-circuits.
 1. Hand soldering: 350°C, within 3 s
 2. Dip soldering: 350°C, within 3 s
Wait for one minute after soldering before exerting any external force on the solder.
- Use non-corrosive resin fluid as the flux.
- Make sure that the electric cord is wired so that it does not touch the Unit. If the electric cord touches the Unit, then electric wires with a heat resistance of 100°C min. must be used.
- After wiring the Switch, maintain an appropriate clearance and creepage distance.

Operating Environment

- The IP65 model is designed with a degree of protection so that it will not sustain damage if it is subjected to water from any direction to the front of the panel.

Using the Microload

- Insert a contact protection circuit, if necessary, to prevent the reduction of life expectancy due to extreme wear on the contacts caused by loads where inrush current occurs when the contact is opened and closed.
- The A16 allows both a standard load (125 V at 5A, 250 V at 3 A) and a microload. If a standard load is applied, however, the microload area cannot be used. If the microload area is used with a standard load, the contact surface will become rough, and the opening and closing of the contact for a microload may become unreliable.
- The minimum applicable load is the N-level reference value. This value indicates the malfunction reference level for the reliability level of 60% ($\lambda 60$) (conforming to JIS C5003).
The equation, $\lambda 60 = 0.5 \times 10^{-6}/\text{operations}$ indicates that the estimated malfunction rate is less than 1/2,000,000 operations with a reliability level of 60%.



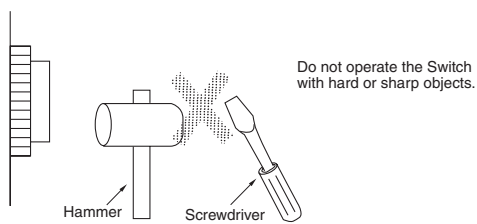
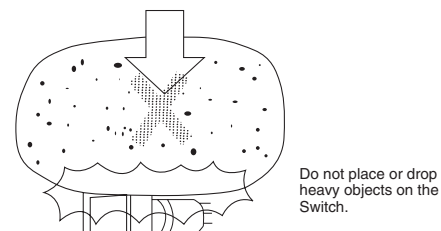
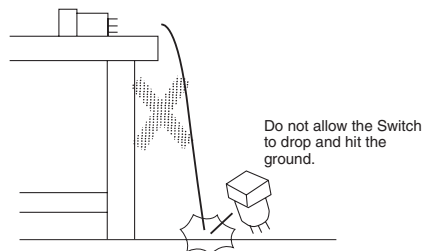
LED

- The LED current-limiting resistor is built-in, so external resistance is not required.

| Rated voltage | Internal limiting resistor |
|---------------|------------------------------------|
| 5 VDC | Red, yellow: 300 Ω Green: 160 Ω |
| 12 VAC/VDC | Red, yellow: 1 kΩ Green: 910 Ω |
| 24 VAC/VDC | 2.4 kΩ |

Others

- The oil-resistant IP65 uses NBR rubber and is resistant to general cutting oil and cooling oil. Some particular oils cannot be used with the oil-resistant IP65, however, so contact your OMRON representative for details.
- If the panel is to be finished with coating, etc., make sure that the panel meets the specified dimensions after the coating.
- Do not subject the Switch to extreme shock or vibration. Doing so will cause malfunctions and damage to the Switch.
Do not let sharp objects come into contact with the Switches that are made of resin. Doing so will damage the Switches, causing scratches on the outside of the operating parts, and malfunction. When handling the Switches, do not throw or drop them.



Terms and Conditions Agreement

Read and understand this catalog.

Please read and understand this catalog before purchasing the products. Please consult your OMRON representative if you have any questions or comments.

Warranties.

(a) Exclusive Warranty. Omron's exclusive warranty is that the Products will be free from defects in materials and workmanship for a period of twelve months from the date of sale by Omron (or such other period expressed in writing by Omron). Omron disclaims all other warranties, express or implied.

(b) Limitations. OMRON MAKES NO WARRANTY OR REPRESENTATION, EXPRESS OR IMPLIED, ABOUT NON-INFRINGEMENT, MERCHANTABILITY OR FITNESS FOR A PARTICULAR PURPOSE OF THE PRODUCTS. BUYER ACKNOWLEDGES THAT IT ALONE HAS DETERMINED THAT THE PRODUCTS WILL SUITABLY MEET THE REQUIREMENTS OF THEIR INTENDED USE.

Omron further disclaims all warranties and responsibility of any type for claims or expenses based on infringement by the Products or otherwise of any intellectual property right. (c) Buyer Remedy. Omron's sole obligation hereunder shall be, at Omron's election, to (i) replace (in the form originally shipped with Buyer responsible for labor charges for removal or replacement thereof) the non-complying Product, (ii) repair the non-complying Product, or (iii) repay or credit Buyer an amount equal to the purchase price of the non-complying Product; provided that in no event shall Omron be responsible for warranty, repair, indemnity or any other claims or expenses regarding the Products unless Omron's analysis confirms that the Products were properly handled, stored, installed and maintained and not subject to contamination, abuse, misuse or inappropriate modification. Return of any Products by Buyer must be approved in writing by Omron before shipment. Omron Companies shall not be liable for the suitability or unsuitability or the results from the use of Products in combination with any electrical or electronic components, circuits, system assemblies or any other materials or substances or environments. Any advice, recommendations or information given orally or in writing, are not to be construed as an amendment or addition to the above warranty.

See <http://www.omron.com/global/> or contact your Omron representative for published information.

Limitation on Liability; Etc.

OMRON COMPANIES SHALL NOT BE LIABLE FOR SPECIAL, INDIRECT, INCIDENTAL, OR CONSEQUENTIAL DAMAGES, LOSS OF PROFITS OR PRODUCTION OR COMMERCIAL LOSS IN ANY WAY CONNECTED WITH THE PRODUCTS, WHETHER SUCH CLAIM IS BASED IN CONTRACT, WARRANTY, NEGLIGENCE OR STRICT LIABILITY.

Further, in no event shall liability of Omron Companies exceed the individual price of the Product on which liability is asserted.

Suitability of Use.

Omron Companies shall not be responsible for conformity with any standards, codes or regulations which apply to the combination of the Product in the Buyer's application or use of the Product. At Buyer's request, Omron will provide applicable third party certification documents identifying ratings and limitations of use which apply to the Product. This information by itself is not sufficient for a complete determination of the suitability of the Product in combination with the end product, machine, system, or other application or use. Buyer shall be solely responsible for determining appropriateness of the particular Product with respect to Buyer's application, product or system. Buyer shall take application responsibility in all cases.

NEVER USE THE PRODUCT FOR AN APPLICATION INVOLVING SERIOUS RISK TO LIFE OR PROPERTY OR IN LARGE QUANTITIES WITHOUT ENSURING THAT THE SYSTEM AS A WHOLE HAS BEEN DESIGNED TO ADDRESS THE RISKS, AND THAT THE OMRON PRODUCT(S) IS PROPERLY RATED AND INSTALLED FOR THE INTENDED USE WITHIN THE OVERALL EQUIPMENT OR SYSTEM.

Programmable Products.

Omron Companies shall not be responsible for the user's programming of a programmable Product, or any consequence thereof.

Performance Data.

Data presented in Omron Company websites, catalogs and other materials is provided as a guide for the user in determining suitability and does not constitute a warranty. It may represent the result of Omron's test conditions, and the user must correlate it to actual application requirements. Actual performance is subject to the Omron's Warranty and Limitations of Liability.

Change in Specifications.

Product specifications and accessories may be changed at any time based on improvements and other reasons. It is our practice to change part numbers when published ratings or features are changed, or when significant construction changes are made. However, some specifications of the Product may be changed without any notice. When in doubt, special part numbers may be assigned to fix or establish key specifications for your application. Please consult with your Omron's representative at any time to confirm actual specifications of purchased Product.

Errors and Omissions.

Information presented by Omron Companies has been checked and is believed to be accurate; however, no responsibility is assumed for clerical, typographical or proofreading errors or omissions.

2015.9

In the interest of product improvement, specifications are subject to change without notice.

OMRON Corporation
Industrial Automation Company

<http://www.ia.omron.com/>

(c)Copyright OMRON Corporation 2015 All Right Reserved.

X-ON Electronics

Largest Supplier of Electrical and Electronic Components

Click to view similar products for [Rotary Switches](#) category:

Click to view products by [Omron](#) manufacturer:

Other Similar products are found below :

[57HS22-02-2-06N](#) [57M22-02B16N](#) [57M22-09A16N](#) [M3786/4-0881](#) [M3786/4-3267](#) [M3786/4-5568](#) [M3786/4-6029](#) [71ESF30-05204N](#)
[MC06L1NCGF](#) [84986-26](#) [9003K2C003GA](#) [PLR3251](#) [PLR3262](#) [PS3](#) [A0142M2SP](#) [A019605](#) [A029303](#) [R2AA4455NNNN](#)
[R2BB4455NNNN](#) [DR75-AMSF-10R-B](#) [14-520.0360](#) [1703.3201](#) [HW1MS-0202-101](#) [24002-03S](#) [A029101](#) [ACSNO-129-YB-C1014](#) [ACSNO-](#)
[134-RR-YB-C1005](#) [ACSNO-353-SB-C3016](#) [1825537-4](#) [T505](#) [T505E](#) [24005-03N](#) [H10207RR01Q](#) [M3786/4-0002](#) [M3786/4-0630](#) [M3786/4-](#)
[1028L](#) [M3786/4-1233L](#) [M3786/4-3044](#) [M3786/4-3129](#) [M3786/4-5008L](#) [M3786/4-5256](#) [MC6CX1A502X009](#) [42HS36-01-1-06N](#) [42P36-](#)
[03B10S](#) [44MBS60-04-2-03N](#) [44MG90-02-1-02N](#) [50KMT90-01-2-02N](#) [51A22-01-1-16S](#) [51CDP30-01PAJN](#) [51KSP30-01D04N](#)