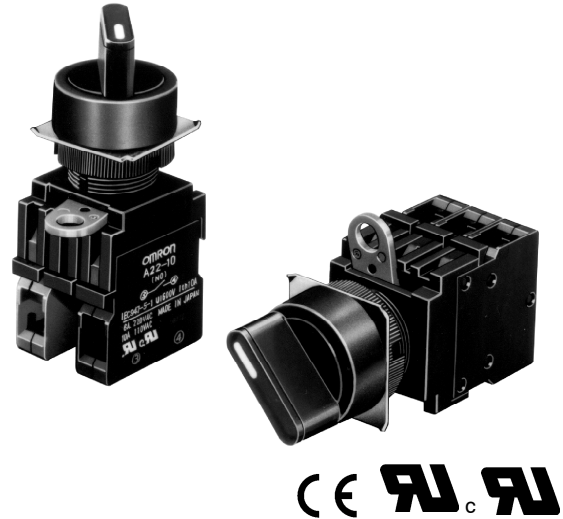


### Knob-type Selector Switch

### A22S/W

Install in 22-mm dia. or 25-mm dia.  
Panel Cutout

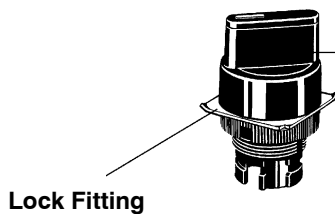
- Illuminated and Non-illuminated models
- Locking lever ensures easy mounting and removal of switch unit
- Increase wiring efficiency and decrease mounting depth with three-row mounting of switch unit contact blocks
- Finger-safe contact blocks
- Use optional 25-mm dia. ring to install in 25-mm dia. panel cutouts



This product was manufactured at OMRON Izumo. OMRON Izumo has obtained approvals from international certification bodies for its quality system and environmental control system.

## Ordering Information

### ■ CONSTRUCTION



#### Operational Unit

Number of Positions:  
2 Positions/3 Positions

#### Applicable Colors

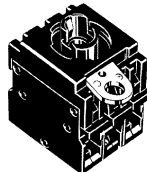
Non-illuminated: Black  
Illuminated: Red, green, yellow, blue

Lock Fitting



#### Lamp

- **Light Source**  
LED Lamp  
Incandescent Lamp

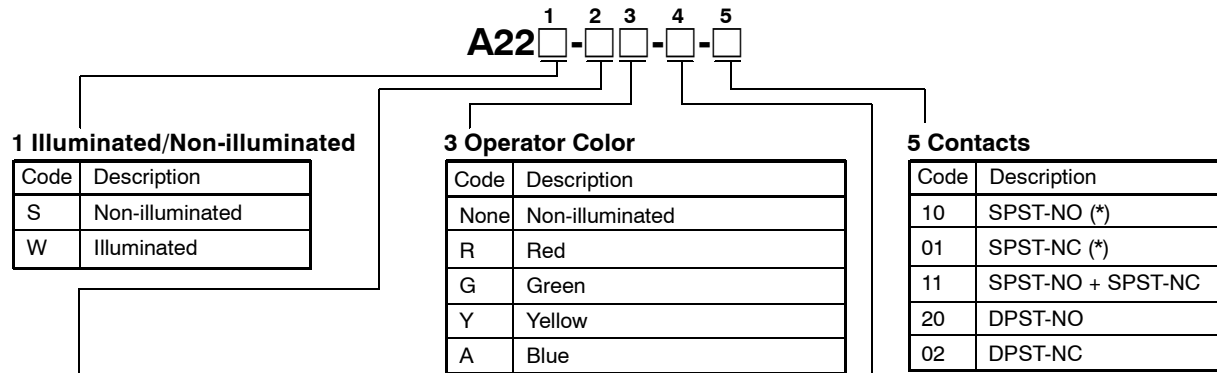


#### Switch Unit

- **Contacts**  
SPST-NO, SPST-NC, SPST-NO + SPST-NC, DPST-NO, DPST-NC
- **Lighting Method**  
Non-illuminated  
Illuminated (without transformer)  
Illuminated (with transformer)

**■ PART NUMBER LEGEND**

Shipped as a set which includes the Operational Unit, LED (Illuminated Type only), and Switch Unit.



**2 Number of Positions/Reset Method**

Code	Description
2M	2 Positions/Maintained
2A	2 Positions/Spring return
3M	3 Positions/Maintained
3A	3 Positions/Spring return
C2M	2 Positions/Maintained extended lever
C2A	2 Positions/Spring return extended lever
C3M	3 Positions/Maintained extended lever
C3A	3 Positions/Spring return extended lever

**4 Light Source**

Without transformer		
Code	Rated Voltage	
None	Non-illuminated	
6D	LED	6 VDC
6A		6 VAC
12A		12 VAC/DC
24A		24 VAC/DC
With transformer		
None	Non-illuminated	
T1	LED	110 VAC*1
T2		220 VAC*2

Note: \* for models with 2 Positions only  
 Note: SPST= Single Pole, Single Throw  
 DPST= Double Pole, Single Throw

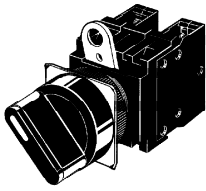




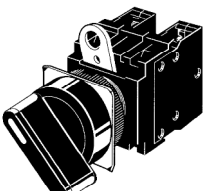



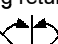




\*1) Operational voltage: 95 to 115 VAC  
 \*2) Operational voltage: 190 to 230 VAC

Note: With transformer types, the LED lamp (24 VAC/DC) can be lit by directly applying 110 VAC/DC (220 VAC/DC) to the lamp terminal. The LED is a 24-VAC/DC type.

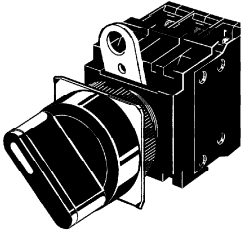


(Actual color of yellow selector switches more closely resembles amber than true yellow.)

## ■ KNOB-TYPE SELECTOR SWITCH

### Non-illuminated

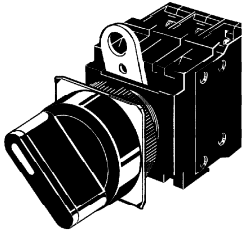

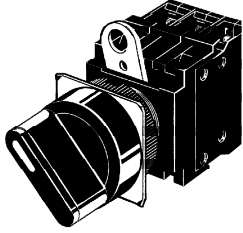

Appearance	Positions	Operating method	Contacts	Operator color	Part number	
Knob-type selector switch 	2 positions	Maintained 	SPST-NO	Black	A22S-2M-10	
			SPST-NC		A22S-2M-01	
			SPST-NO + SPST-NC		A22S-2M-11	
		Spring return 	DPST-NO		A22S-2M-20	
			DPST-NC		A22S-2M-02	
			SPST-NO		A22S-2A-10	
	3 positions	Maintained 	SPST-NO + SPST-NC		A22S-2A-01	
			DPST-NO		A22S-2A-11	
			DPST-NC		A22S-2A-20	
		Spring return 	SPST-NO + SPST-NC		A22S-2A-02	
			DPST-NO		A22S-3M-11	
			DPST-NC		A22S-3M-20	
	Extended lever knob-type selector switch 	2 positions	Maintained 	SPST-NO	Black	A22S-3M-02
				SPST-NC		A22S-3A-11
SPST-NO + SPST-NC				A22S-3A-20		
Spring return 			DPST-NO	A22S-3A-02		
			DPST-NC	A22S-C2M-10		
			SPST-NO	A22S-C2M-01		
3 positions		Maintained 	SPST-NO	A22S-C2M-11		
			SPST-NC	A22S-C2M-02		
			SPST-NO + SPST-NC	A22S-C2M-20		
		Spring return 	DPST-NO	A22S-C2M-02		
			DPST-NC	A22S-C2A-10		
			SPST-NO	A22S-C2A-01		
3 positions		Maintained 	SPST-NO + SPST-NC	A22S-C2A-11		
			DPST-NO	A22S-C2A-20		
	DPST-NC		A22S-C2A-02			
	Spring return 	SPST-NO + SPST-NC	A22S-C2A-02			
		DPST-NO	A22S-C3M-11			
		DPST-NC	A22S-C3M-20			
3 positions	Maintained 	SPST-NO + SPST-NC	A22S-C3M-02			
		DPST-NO	A22S-C3A-11			
		DPST-NC	A22S-C3A-20			
	Spring return 	SPST-NO + SPST-NC	A22S-C3A-02			
		DPST-NO	A22S-C3A-20			
		DPST-NC	A22S-C3A-02			

## Illuminated (Without Transformer)

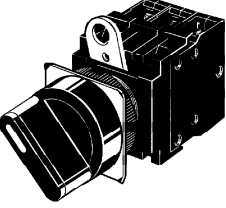




Appearance	Positions	Operating method	Contacts	Rated voltage	Operator color	Part number
Knob-type selector switch LED lighting (without transformer) 	2 positions	Maintained 	SPST-NO	6 VDC	Insert one of the following letters into the box □.  R (red) Y (yellow) G (green) A (blue)	A22W-2M□-6D-10
				6 VAC		A22W-2M□-6A-10
				12 VAC/DC		A22W-2M□-12A-10
				24 VAC/DC		A22W-2M□-24A-10
			SPST-NC	6 VDC		A22W-2M□-6D-01
				6 VAC		A22W-2M□-6A-01
				12 VAC/DC		A22W-2M□-12A-01
				24 VAC/DC		A22W-2M□-24A-01
			SPST-NO + SPST-NC	6 VDC		A22W-2M□-6D-11
				6 VAC		A22W-2M□-6A-11
				12 VAC/DC		A22W-2M□-12A-11
				24 VAC/DC		A22W-2M□-24A-11
			DPST-NO	6 VDC		A22W-2M□-6D-20
				6 VAC		A22W-2M□-6A-20
				12 VAC/DC		A22W-2M□-12A-20
				24 VAC/DC		A22W-2M□-24A-20
			DPST-NC	6 VDC		A22W-2M□-6D-02
				6 VAC		A22W-2M□-6A-02
		12 VAC/DC		A22W-2M□-12A-02		
		24 VAC/DC		A22W-2M□-24A-02		
		Spring return 		SPST-NO	6 VDC	A22W-2A□-6D-10
					6 VAC	A22W-2A□-6A-10
					12 VAC/DC	A22W-2A□-12A-10
					24 VAC/DC	A22W-2A□-24A-10
				SPST-NC	6 VDC	A22W-2A□-6D-01
					6 VAC	A22W-2A□-6A-01
					12 VAC/DC	A22W-2A□-12A-01
					24 VAC/DC	A22W-2A□-24A-01
				SPST-NO + SPST-NC	6 VDC	A22W-2A□-6D-11
					6 VAC	A22W-2A□-6A-11
					12 VAC/DC	A22W-2A□-12A-11
					24 VAC/DC	A22W-2A□-24A-11
				DPST-NO	6 VDC	A22W-2A□-6D-20
					6 VAC	A22W-2A□-6A-20
					12 VAC/DC	A22W-2A□-12A-20
					24 VAC/DC	A22W-2A□-24A-20
DPST-NC	6 VDC			A22W-2A□-6D-02		
	6 VAC			A22W-2A□-6A-02		
	12 VAC/DC	A22W-2A□-12A-02				
	24 VAC/DC	A22W-2A□-24A-02				

(This table continues on the next page.)

Ordering Information Table - continued from previous page

Appearance	Positions	Operating method	Contacts	Rated voltage	Operator color	Part number
Knob-type selector switch LED lighting (without transformer) 	3 positions	Maintained 	SPST-NO + SPST-NC	6 VDC	Insert one of the following letters into the box □.  R (red) Y (yellow) G (green) A (blue)	A22W-3M□-6D-11
				6 VAC		A22W-3M□-6A-11
				12 VAC/DC		A22W-3M□-12A-11
				24 VAC/DC		A22W-3M□-24A-11
			DPST-NO	6 VDC	A22W-3M□-6D-20	
				6 VAC	A22W-3M□-6A-20	
				12 VAC/DC	A22W-3M□-12A-20	
				24 VAC/DC	A22W-3M□-24A-20	
			DPST-NC	6 VDC	A22W-3M□-6D-02	
				6 VAC	A22W-3M□-6A-02	
				12 VAC/DC	A22W-3M□-12A-02	
				24 VAC/DC	A22W-3M□-24A-02	
Knob-type selector switch LED lighting (without transformer) 	3 positions	Spring return 	SPST-NO + SPST-NC	6 VDC	Insert one of the following letters into the box □.  R (red) Y (yellow) G (green) A (blue)	A22W-3A□-6D-11
				6 VAC		A22W-3A□-6A-11
				12 VAC/DC		A22W-3A□-12A-11
				24 VAC/DC		A22W-3A□-24A-11
			DPST-NO	6 VDC	A22W-3A□-6D-20	
				6 VAC	A22W-3A□-6A-20	
				12 VAC/DC	A22W-3A□-12A-20	
				24 VAC/DC	A22W-3A□-24A-20	
			DPST-NC	6 VDC	A22W-3A□-6D-02	
				6 VAC	A22W-3A□-6A-02	
				12 VAC/DC	A22W-3A□-12A-02	
				24 VAC/DC	A22W-3A□-24A-02	

## Illuminated (With Transformer)

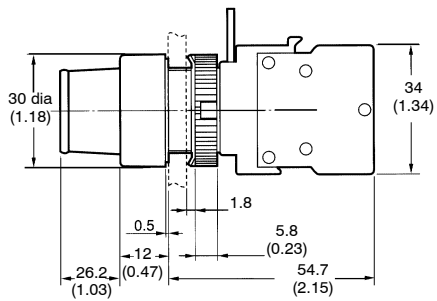
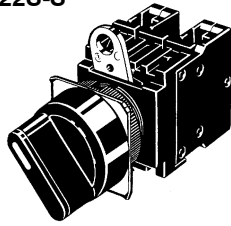
Appearance	Positions	Operating method	Contacts	Rated voltage	Operator color	Part number
Knob-type selector switch LED lighting (with transformer) 	2 positions	Maintained 	SPST-NO	110 VAC	Insert one of the following letters into the box □.  R (red) Y (yellow) G (green) A (blue)	A22W-2M□-T1-10
				220 VAC		A22W-2M□-T2-10
			SPST-NC	110 VAC		A22W-2M□-T1-01
				220 VAC		A22W-2M□-T2-01
			SPST-NO + SPST-NC	110 VAC		A22W-2M□-T1-11
				220 VAC		A22W-2M□-T2-11
		DPST-NO	110 VAC	A22W-2M□-T1-20		
			220 VAC	A22W-2M□-T2-20		
		DPST-NC	110 VAC	A22W-2M□-T1-02		
			220 VAC	A22W-2M□-T2-02		
		Spring return 	SPST-NO	110 VAC		A22W-2A□-T1-10
				220 VAC		A22W-2A□-T2-10
	SPST-NC		110 VAC	A22W-2A□-T1-01		
			220 VAC	A22W-2A□-T2-01		
	SPST-NO + SPST-NC		110 VAC	A22W-2A□-T1-11		
			220 VAC	A22W-2A□-T2-11		
	DPST-NO	110 VAC	A22W-2A□-T1-20			
		220 VAC	A22W-2A□-T2-20			
	DPST-NC	110 VAC	A22W-2A□-T1-02			
		220 VAC	A22W-2A□-T2-02			
	3 positions	Maintained 	SPST-NO + SPST-NC	110 VAC	A22W-3M□-T1-11	
				220 VAC	A22W-3M□-T2-11	
			DPST-NO	110 VAC	A22W-3M□-T1-20	
				220 VAC	A22W-3M□-T2-20	
DPST-NC			110 VAC	A22W-3M□-T1-02		
			220 VAC	A22W-3M□-T2-02		
Spring return 		SPST-NO + SPST-NC	110 VAC	A22W-3A□-T1-11		
			220 VAC	A22W-3A□-T2-11		
		DPST-NO	110 VAC	A22W-3A□-T1-20		
			220 VAC	A22W-3A□-T2-20		
		DPST-NC	110 VAC	A22W-3A□-T1-02		
			220 VAC	A22W-3A□-T2-02		

# Dimensions

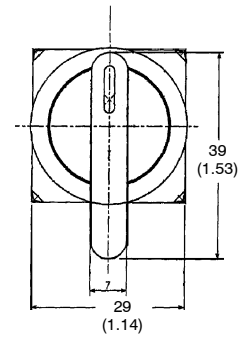
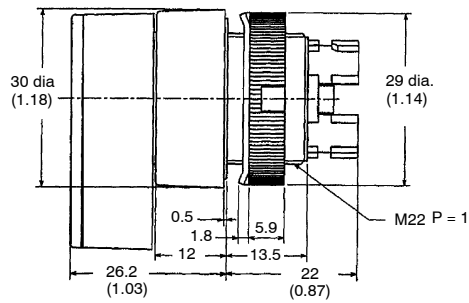
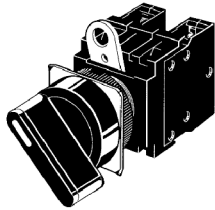
Unit: mm (inch)

## ■ KNOB-TYPE SELECTOR SWITCH (ILLUMINATED/NON-ILLUMINATED)

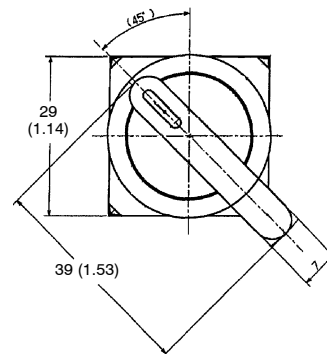
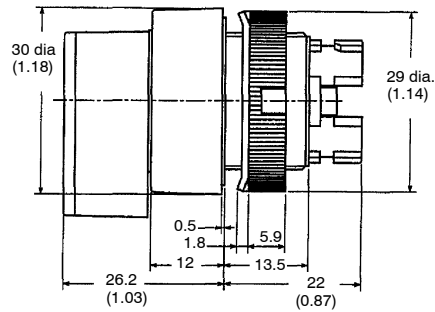
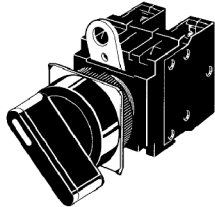
### A22S-S



### A22S-C3

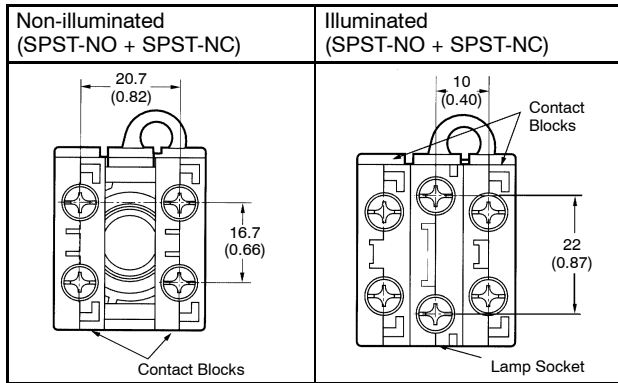


### A22S-C2

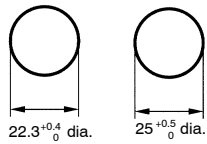


### ■ TERMINAL ARRANGEMENT

#### Terminal Arrangement (Bottom View)



### ■ PANEL CUTOUT DIMENSIONS



Note: When applying a coating such as paint to a panel, the dimensions should be those after the application of the coating.  
A lock fitting is provided as a standard item.

### ■ CONTACT CONFIGURATION

#### 2-Position Type

Knob position	SPST-NO	SPST-NC	SPST-NO + SPST-NC	DPST-NO	DPST-NC

#### 3-Position Type

Knob position	SPST-NO + SPST-NC	DPST-NO	DPST-NC

Note: For additional specifications and information refer to the *Common to all assemblies* section at the end of this publication.

### ■ TERMINAL CONNECTION

Type	Connection diagram
Non-illuminated	Bottom view 
Illuminated without transformer	Bottom view 
Illuminated with transformer	Bottom view 

Note: The above terminal connection diagrams are examples for SPST-NO + SPST-NC.



**NOTE: DIMENSIONS SHOWN ARE IN MILLIMETERS. To convert millimeters to inches divide by 25.4.**

---

**OMRON**<sup>®</sup>  
**OMRON ELECTRONICS LLC**  
One East Commerce Drive  
Schaumburg, IL 60173  
**1-800-55-OMRON**

**OMRON ON-LINE**  
Global - <http://www.omron.com>  
USA - <http://www.omron.com/oei>  
Canada - <http://www.omron.com/oci>

**OMRON CANADA, INC.**  
885 Milner Avenue  
Scarborough, Ontario M1B 5V8  
**416-286-6465**

## X-ON Electronics

Largest Supplier of Electrical and Electronic Components

*Click to view similar products for [Rotary Switches](#) category:*

*Click to view products by [Omron](#) manufacturer:*

Other Similar products are found below :

[57HS22-02-2-06N](#) [57M22-02B16N](#) [57M22-09A16N](#) [58J1007](#) [58J8A45-01B05N](#) [59M18-02A20N](#) [M3786/39-3BA](#) [M3786/39-LMC](#)  
[M3786/4-0007](#) [M3786/4-0073](#) [M3786/4-0182](#) [M3786/4-0640](#) [M3786/4-0873](#) [M3786/4-0881](#) [M3786/4-3187](#) [M3786/4-3267](#) [M3786/4-5272](#)  
[M3786/4-5568](#) [M3786/4-5876](#) [M3786/4-6029](#) [71ESF30-05204N](#) [MC06L1NCGF](#) [FA201BKGN](#) [84986-26](#) [9003K2C003GA](#) [PLR3251](#)  
[PLR3262](#) [PLR3279](#) [PS3](#) [A019305](#) [A019306](#) [A019501](#) [A029301](#) [A165W-T2AR](#) [R2AA2133NNNN](#) [R2AA4455NNNN](#) [R2BB4455NNNN](#)  
[ACSNO-6123-FB-C6002](#) [RMS1224](#) [DR75-AMSF-10R-B](#) [14-520.0360](#) [BCK1006](#) [1703.3201](#) [HW1MS-0202-101](#) [C6P0206N-A](#) [24002-03S](#)  
[A019109](#) [A029101](#) [A165W-T3MR](#) [A22NS-3BM-NRA-G120-NN](#)