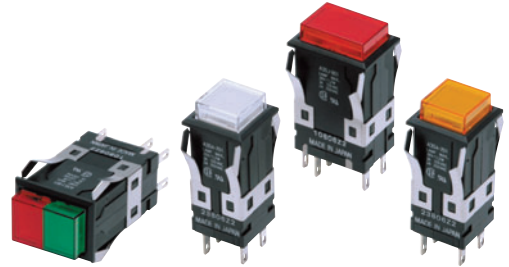



Pushbutton Switch Series with Square 40-mm Body

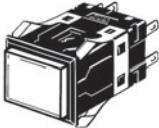
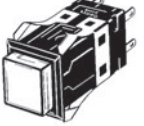
- Combines miniature design with distinct but soft sense of operation.
- Easy panel mounting from the front and simple lamp replacement without tools.



 Refer to *Safety Precautions for All Pushbutton Switches* and *Safety Precautions* on page 18.

List of Models

Lighted Pushbutton Switches

| Appearance | Model |
|---|-------|
| Rectangular  | A3SJ |
| Square  | A3SA |

■ Specifications: Refer to page 12.
 ■ Accessories: Refer to pages 10 to 11.

■ Dimensions: Refer to page 14.

Model Number Structure

Model Number Legend The model numbers used to order sets are illustrated below. One set comprises the Operation Unit, Lamp, and Socket Unit. For information on combinations, refer to Ordering Information on pages 3 to 4.

1 - 24E R Single screen

A 3 S J - 9 0 A 3 - 24E RW Vertical 2-split screen

(1) Shape of Operation Unit

| Symbol | Shape |
|--------|-------------|
| J | Rectangular |
| A | Square |

(2) Switch Specifications Standard Load

| Symbol | Operation | |
|--------|-----------|------|
| A | Momentary | SPDT |
| B | Alternate | |
| C | Momentary | DPDT |
| D | Alternate | |

Microload



| Symbol | Operation | |
|--------|-----------|------|
| E | Momentary | SPDT |
| F | Alternate | |
| G | Momentary | DPDT |
| H | Alternate | |

- Standard Load
250 VAC, 2 A
125 VDC, 0.4 A
- Microload
125 VAC, 0.1 A
30 VDC, 0.1 A


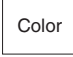
Minimum applicable load
5 VDC, 1 mA

- ▶ Momentary operation
...Self-resetting
- ▶ Alternate operation
...Self-holding

(3) Screen Pattern Illumination-only models

| Symbol | Screen pattern |
|--------|---|
| 1 | Single screen  |
| 3 | Vertical 2-split screen  (rectangular models only) |

- Models with colored illumination can be ordered individually. Refer to page 5 for details.
- ▶ Colored Illumination

| | |
|---|---|
| Unlit | Lit |
|  |  |

The built-in LED is colored.

(4) Lighting Method LED-lighted Models

| Symbol | Rated voltage |
|--------|---------------|
| 05E | 5 VDC |
| 12E | 12 VDC |
| 24E | 24 VDC |

Incandescent Lamp-lighted Models

| Symbol | Rated voltage |
|--------|---------------|
| 06 | 6 VAC/VDC |
| 14 | 14 VAC/VDC |
| 28 | 28 VAC/VDC |

(5) Operation Unit Color For LED

| Symbol | Color |
|--------|---------|
| R | Red |
| Y | Yellow |
| G | Green |
| W | White * |

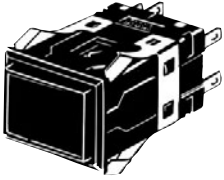
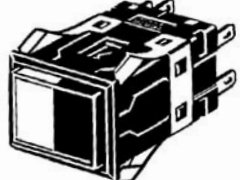
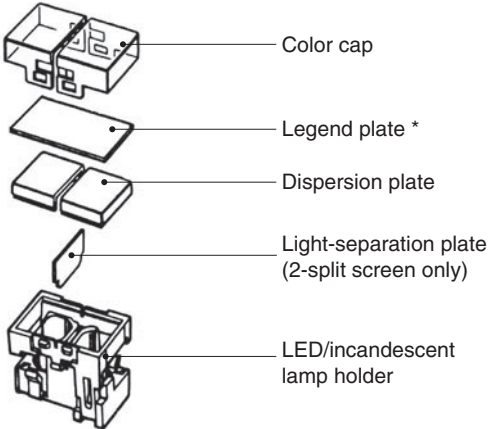
Incandescent Lamp-lighted Models

| Symbol | Color |
|--------|---------|
| R | Red |
| Y | Yellow |
| G | Green |
| A | Blue |
| W | White * |

* The color cap is transparent.

Number of Built-in LEDs and Incandescent Lamps

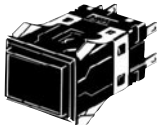
| Model | Screen pattern | LED | Incandescent lamp |
|-------|-------------------------|-----|-------------------|
| A3SJ | Single screen | 2 | 1 |
| | Vertical 2-split screen | 2 | 2 |
| A3SA | Single screen | 1 | 1 |

| Type | Structure of Split-screen Operation Unit |
|---|---|
|  <p>Single screen (Rectangular models and square models)</p> |  <p>Vertical 2-split screen (Rectangular models only)</p> |
| A3SJ |  <ul style="list-style-type: none"> Color cap Legend plate * Dispersion plate Light-separation plate (2-split screen only) LED/incandescent lamp holder <p style="font-size: x-small;">* Not included for the Square Models (A3SA) with incandescent lamp.</p> |

Ordering Information

Ordering as a Set The model numbers used to order sets of Units are given in the following tables. One set comprises the Operation Unit, Lamp, and Socket Unit.

Standard Loads

Rectangular Models  A3SJ

Single screen Vertical 2-split screen

Single screen

| Output | Lighting | Contact type Operation | Standard load (250 VAC, 2 A; 125 VDC 0.4 A) | | Operation Unit color symbol |
|--------|-------------------|---------------------------|---|---------------------------------------|--|
| | | | Momentary operation (Self-resetting) | Alternate operation (Self-holding) | |
| SPDT | LED | 5 VDC | A3SJ-90A1-05E□ | A3SJ-90B1-05E□ | Enter the desired color symbol for the Pushbutton in □. R (Red) Y (Yellow) G (Green) A (Blue) * W (White) |
| | | 12 VDC | A3SJ-90A1-12E□ | A3SJ-90B1-12E□ | |
| | | 24 VDC | A3SJ-90A1-24E□ | A3SJ-90B1-24E□ | |
| | Incandescent lamp | 6 VAC/VDC | A3SJ-90A1-06□ | A3SJ-90B1-06□ | |
| | | 14 VAC/VDC | A3SJ-90A1-14□ | A3SJ-90B1-14□ | |
| | | 28 VAC/VDC | A3SJ-90A1-28□ | A3SJ-90B1-28□ | |
| DPDT | LED | 5 VDC | A3SJ-90C1-05E□ | A3SJ-90D1-05E□ | |
| | | 12 VDC | A3SJ-90C1-12E□ | A3SJ-90D1-12E□ | |
| | | 24 VDC | A3SJ-90C1-24E□ | A3SJ-90D1-24E□ | |
| | Incandescent lamp | 6 VAC/VDC | A3SJ-90C1-06□ | A3SJ-90D1-06□ | |
| | | 14 VAC/VDC | A3SJ-90C1-14□ | A3SJ-90D1-14□ | |
| | | 28 VAC/VDC | A3SJ-90C1-28□ | A3SJ-90D1-28□ | |

* Incandescent lamp only.

Vertical 2-split screen

| Output | Lighting | Contact type Operation | Standard load (250 VAC, 2 A; 125 VDC 0.4 A) | | Operation Unit color symbol |
|--------|-------------------|---------------------------|---|---------------------------------------|---|
| | | | Momentary operation (Self-resetting) | Alternate operation (Self-holding) | |
| SPDT | LED | 24 VDC | A3SJ-90A3-24E□□ | A3SJ-90B3-24E□□ | Enter the desired color symbol for the Pushbutton in □□. R (Red) Y (Yellow) G (Green) W (White) A (Blue) * |
| | Incandescent lamp | 28 VDC | A3SJ-90A3-28□□ | A3SJ-90B3-28□□ | |
| DPDT | LED | 24 VDC | A3SJ-90C3-24E□□ | A3SJ-90D3-24E□□ | |
| | Incandescent lamp | 28 VDC | A3SJ-90C3-28□□ | A3SJ-90D3-28□□ | |

* Incandescent lamp only.

Microloads

Single screen

| Output | Lighting | Contact type Operation | Microload (125 VAC, 0.1 A; 30 VDC 0.1 A) | | Operation Unit color symbol |
|--------|-------------------|---------------------------|---|--|--------------------------------|
| | | | Momentary operation (Self-resetting) | | |
| SPDT | LED | 5 VDC | A3SJ-90E1-05E□ | Enter the desired color symbol for the Pushbutton in □. R (Red) Y (Yellow) G (Green) A (Blue) * W (White) | |
| | | 12 VDC | A3SJ-90E1-12E□ | | |
| | | 24 VDC | A3SJ-90E1-24E□ | | |
| | Incandescent lamp | 6 VAC/VDC | A3SJ-90E1-06□ | | |
| | | 14 VAC/VDC | A3SJ-90E1-14□ | | |
| | | 28 VAC/VDC | A3SJ-90E1-28□ | | |
| DPDT | LED | 5 VDC | A3SJ-90G1-05E□ | | |
| | | 12 VDC | A3SJ-90G1-12E□ | | |
| | | 24 VDC | A3SJ-90G1-24E□ | | |
| | Incandescent lamp | 6 VAC/VDC | A3SJ-90G1-06□ | | |
| | | 14 VAC/VDC | A3SJ-90G1-14□ | | |
| | | 28 VAC/VDC | A3SJ-90G1-28□ | | |

Vertical 2-split screen

| Output | Lighting | Contact type Operation | Microload (125 VAC, 0.1 A; 30 VDC 0.1 A) | | Operation Unit color symbol |
|--------|-------------------|---------------------------|---|---|--------------------------------|
| | | | Momentary operation (Self-resetting) | | |
| SPDT | LED | 24 VDC | A3SJ-90E3-24E□□ | Enter the desired color symbol for the Pushbutton in □□. R (Red) Y (Yellow) G (Green) W (White) A (Blue) * | |
| | Incandescent lamp | 28 VDC | A3SJ-90E3-28□□ | | |
| DPDT | LED | 24 VDC | A3SJ-90G3-24E□□ | | |
| | Incandescent lamp | 28 VDC | A3SJ-90G3-28□□ | | |

* Incandescent lamp only.

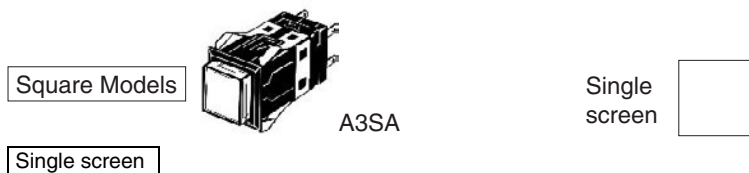
Individual models: Refer to pages 6 to 9.
(The Pushbutton, Lamp, and Switch can be ordered separately.)

■ Specifications: Refer to page 12. ■ Dimensions: Refer to page 14.
■ Accessories: Refer to pages 10 to 11.

Ordering Information

Ordering as a Set The model numbers used to order sets of Units are given in the following tables. One set comprises the Operation Unit, Lamp, and Socket Unit.

Standard Loads



| Output | Lighting | Contact type | Standard load (250 VAC, 2 A; 125 VDC 0.4 A) | | Operation Unit color symbol |
|--------|-------------------|--------------|---|------------------------------------|--|
| | | Operation | Momentary operation (Self-resetting) | Alternate operation (Self-holding) | |
| SPDT | LED | 5 VDC | A3SA-90A1-05E□ | A3SA-90B1-05E□ | Enter the desired color symbol for the Pushbutton in □. R (Red) Y (Yellow) G (Green) A (Blue) * W (White) |
| | | 12 VDC | A3SA-90A1-12E□ | A3SA-90B1-12E□ | |
| | | 24 VDC | A3SA-90A1-24E□ | A3SA-90B1-24E□ | |
| | Incandescent lamp | 6 VAC/VDC | A3SA-90A1-06□ | A3SA-90B1-06□ | |
| | | 14 VAC/VDC | A3SA-90A1-14□ | A3SA-90B1-14□ | |
| | | 28 VAC/VDC | A3SA-90A1-28□ | A3SA-90B1-28□ | |
| DPDT | LED | 5 VDC | A3SA-90C1-05E□ | A3SA-90D1-05E□ | |
| | | 12 VDC | A3SA-90C1-12E□ | A3SA-90D1-12E□ | |
| | | 24 VDC | A3SA-90C1-24E□ | A3SA-90D1-24E□ | |
| | Incandescent lamp | 6 VAC/VDC | A3SA-90C1-06□ | A3SA-90D1-06□ | |
| | | 14 VAC/VDC | A3SA-90C1-14□ | A3SA-90D1-14□ | |
| | | 28 VAC/VDC | A3SA-90C1-28□ | A3SA-90D1-28□ | |

* Incandescent lamp only.

Microloads

Single screen

| Output | Lighting | Contact type | Microload (125 VAC, 0.1 A; 30 VDC 0.1 A) | Operation Unit color symbol |
|--------|-------------------|--------------|--|--|
| | | Operation | Momentary operation (Self-resetting) | |
| SPDT | LED | 5 VDC | A3SA-90E1-05E□ | Enter the desired color symbol for the Pushbutton in □. R (Red) Y (Yellow) G (Green) A (Blue) * W (White) |
| | | 12 VDC | A3SA-90E1-12E□ | |
| | | 24 VDC | A3SA-90E1-24E□ | |
| | Incandescent lamp | 6 VAC/VDC | A3SA-90E1-06□ | |
| | | 14 VAC/VDC | A3SA-90E1-14□ | |
| | | 28 VAC/VDC | A3SA-90E1-28□ | |
| DPDT | LED | 5 VDC | A3SA-90G1-05E□ | |
| | | 12 VDC | A3SA-90G1-12E□ | |
| | | 24 VDC | A3SA-90G1-24E□ | |
| | Incandescent lamp | 6 VAC/VDC | A3SA-90G1-06□ | |
| | | 14 VAC/VDC | A3SA-90G1-14□ | |
| | | 28 VAC/VDC | A3SA-90G1-28□ | |

* Incandescent lamp only.

Individual models: Refer to pages 6 to 9.
(The Pushbutton, Lamp, and Switch can be ordered separately.)

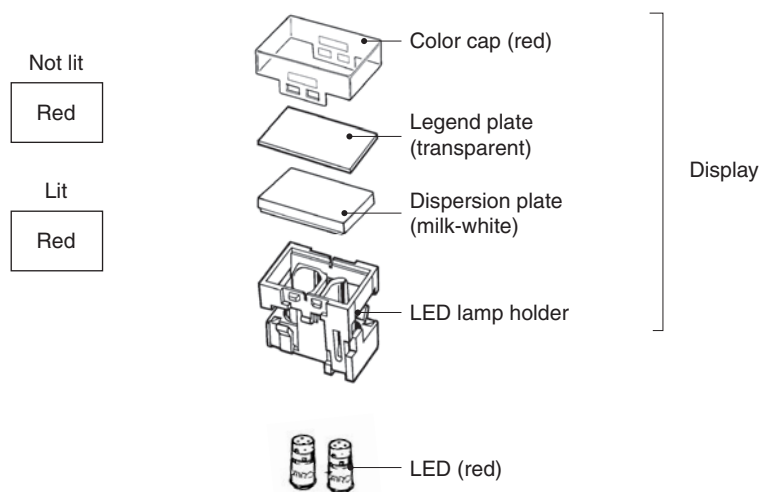
■ Specifications: Refer to page 12. ■ Dimensions: Refer to page 14.
■ Accessories: Refer to pages 10 to 11.

Ordering Information

Illumination-only and Colored-illumination LED Models

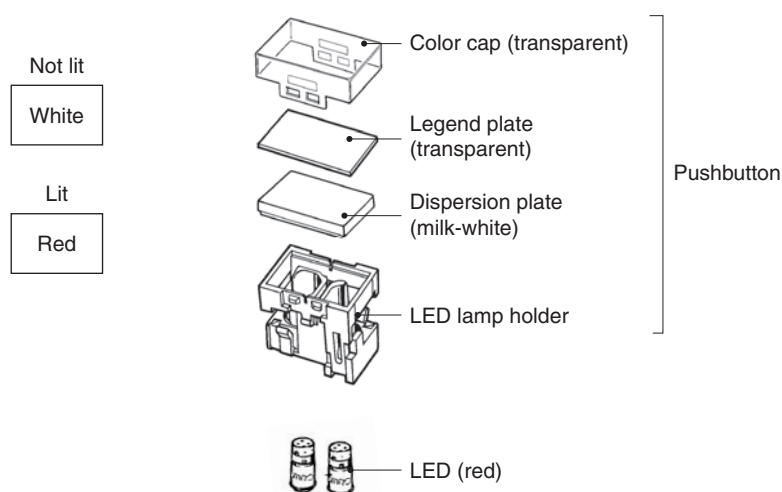
Illumination only describes LED models for which the screen color is the same whether the LED is lit or not. The screen simply becomes brighter when the LED lights.

Example: Red LED





Colored illumination describes LED models for which the screen color is white when the LED is not lit and changes to the color of the LED lamp when the LED is lit.

Example: Red LED



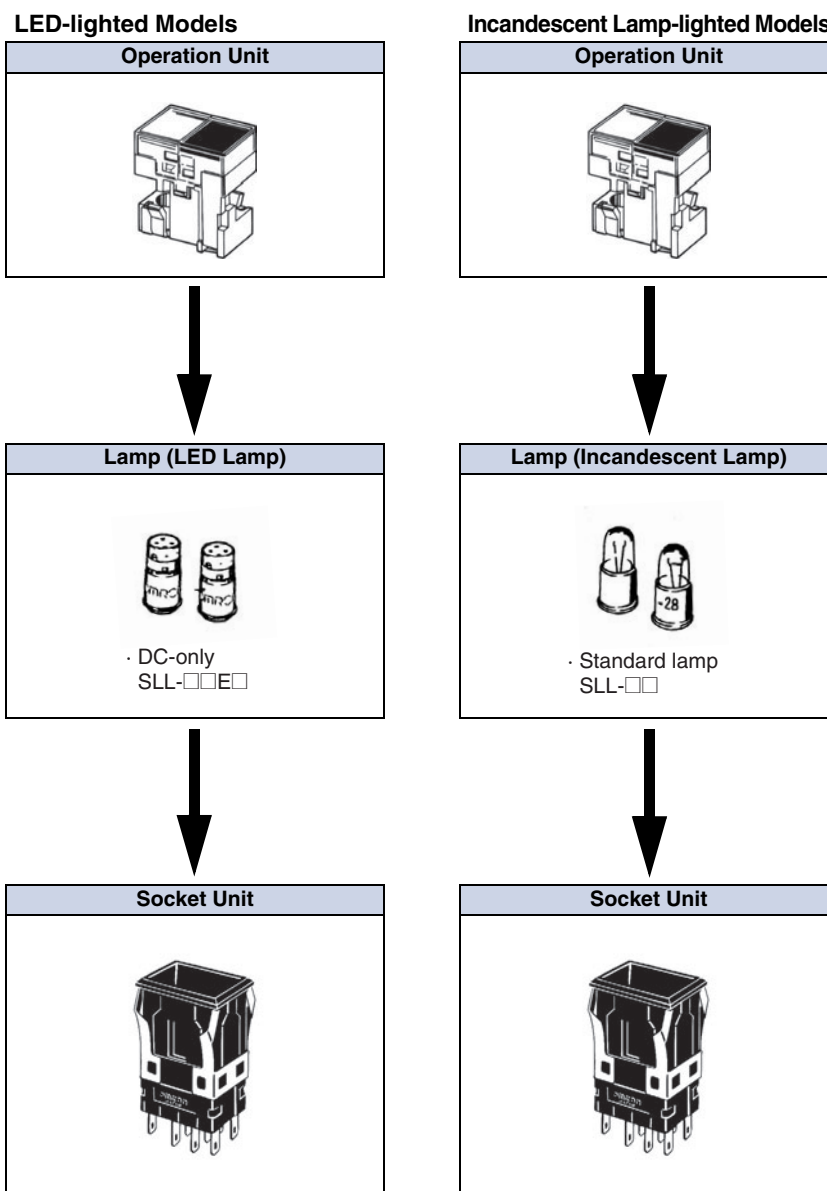
Ordering With colored-illumination models, order the Display (Operation Unit), Lamp, and Socket Unit as shown in the following table.

| Display (Operation Unit) | | | LED | Socket Unit |
|---|-------------------------|------------------|--|-------------------------------------|
| Single screen  | Rectangular models | A3SJ-5801 | Select the LED lamps to suit your desired coloration from the selection on page 9. | Select from the Switches on page 9. |
| | Square models | A3SA-5801 | | |
| 2-split screen  | Rectangular models only | A3SJ-5921 | | |

Ordering Information

Ordering Individually Operation Units, Lamps, and Socket Units can be ordered separately. Combinations that are not available as sets can be created using individual Units. Also, store the parts as spares for maintenance and repairs.

Ordering Specify a model number from the following page.



Ordering set combinations: Refer to pages 3 to 4.

■ Specifications: Refer to page 12. ■ Dimensions: Refer to page 14.
■ Accessories: Refer to pages 10 to 11.

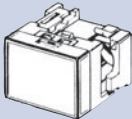
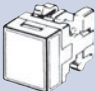


Ordering Information

Ordering Individually Operation Units, Lamps, and Socket Units can be ordered separately. Combinations that are not available as sets can be created using individual Units. Also, store the parts as spares for maintenance and repairs.

Operation Unit

LED-lighted Models

(LED is not built in.)

| Screen pattern | | Appearance | Rectangular Models (2 LEDs) | Square Models (1 LED) | |
|------------------|---|--|--|---|---|
| | | |  (transparent legend plate built in) |  (transparent legend plate built in) | |
| | | Display color | | | |
| Single screen |  | White | A3SJ-5801 | A3SA-5801 | |
| | | Red | A3SJ-5802 | A3SA-5802 | |
| | | Green | A3SJ-5803 | A3SA-5803 | |
| | | Yellow | A3SJ-5805 | A3SA-5805 | |
| 2-split screen * | Standard split screen | White/red | A3SJ-5901 | - | |
| | | White/green | A3SJ-5902 | | |
| | | White/yellow | A3SJ-5904 | | |
| | | Red/green | A3SJ-5905 | | |
| | | Red/yellow | A3SJ-5907 | | |
| | | Green/yellow | A3SJ-5909 | | |
| | Reverse split screen |  | Red/white | A3SJ-5911 | - |
| | | | Green/white | A3SJ-5912 | |
| | | | Yellow/white | A3SJ-5914 | |
| | | | Green/red | A3SJ-5915 | |
| | | | Yellow/red | A3SJ-5917 | |
| | One-color 2-split screen | | Yellow/green | A3SJ-5919 | - |
| | | | White/white | A3SJ-5921 | |
| | | | Red/red | A3SJ-5922 | |
| Green/green | | | A3SJ-5923 | | |
| | | Yellow/yellow | A3SJ-5925 | | |

Note: The color cap is transparent when the display color is white.

* Two-split screen configurations are given with the OMRON surface of the case downward.

Ordering set combinations: Refer to pages 3 to 4.

■ Specifications: Refer to page 12. ■ Dimensions: Refer to page 14.
■ Accessories: Refer to pages 10 to 11.

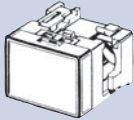
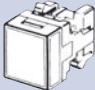

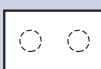

Ordering Information

Ordering Individually Operation Units, Lamps, and Socket Units can be ordered separately. Combinations that are not available as sets can be created using individual Units. Also, store the parts as spares for maintenance and repairs.

Operation Unit

Incandescent Lamp-lighted Models

(Incandescent lamp is not built in.)

| Screen pattern | | Appearance | Rectangular | Square |
|------------------|---|---------------|--|---|
| | | |  (transparent legend plate built in) |  (Legend plate not included) |
| | | Display color | | |
| Single screen | One lamp  | White | A3SJ-5301 | A3SA-5301 |
| | | Red | A3SJ-5302 | A3SA-5302 |
| | | Green | A3SJ-5303 | A3SA-5303 |
| | | Blue | A3SJ-5304 | A3SA-5304 |
| | | Yellow | A3SJ-5305 | A3SA-5305 |
| | Two lamps  | White | A3SJ-5321 | - |
| | | Red | A3SJ-5322 | - |
| | | Green | A3SJ-5323 | - |
| | | Blue | A3SJ-5324 | - |
| | | Yellow | A3SJ-5325 | - |
| 2-split screen * | Standard split screen | White/red | A3SJ-5201 | - |
| | | White/green | A3SJ-5202 | - |
| | | White/blue | A3SJ-5203 | - |
| | | White/yellow | A3SJ-5204 | - |
| | | Red/green | A3SJ-5205 | - |
| | | Red/blue | A3SJ-5206 | - |
| | | Red/yellow | A3SJ-5207 | - |
| | | Green/blue | A3SJ-5208 | - |
| | | Green/yellow | A3SJ-5209 | - |
| | | Blue/yellow | A3SJ-5210 | - |
| | Reverse split screen  | Red/white | A3SJ-5211 | - |
| | | Green/white | A3SJ-5212 | - |
| | | Blue/white | A3SJ-5213 | - |
| | | Yellow/white | A3SJ-5214 | - |
| | | Green/red | A3SJ-5215 | - |
| | | Blue/red | A3SJ-5216 | - |
| | | Yellow/red | A3SJ-5217 | - |
| | | Blue/green | A3SJ-5218 | - |
| | | Yellow/green | A3SJ-5219 | - |
| | | Yellow/blue | A3SJ-5220 | - |
| | One-color 2-split screen | White/white | A3SJ-5221 | - |
| | | Red/red | A3SJ-5222 | - |
| | | Green/green | A3SJ-5223 | - |
| | | Blue/blue | A3SJ-5224 | - |
| | | Yellow/yellow | A3SJ-5225 | - |

Note: The color cap is transparent when the display color is white.
* Two-split screen configurations are given with the OMRON surface of the case downward.

Ordering set combinations: Refer to pages 3 to 4.

■ Specifications: Refer to page 12. ■ Dimensions: Refer to page 14.
■ Accessories: Refer to pages 10 to 11.

Ordering Information

Ordering Individually Operation Units, Lamps, and Socket Units can be ordered separately. Combinations that are not available as sets can be created using individual Units. Also, store the parts as spares for maintenance and repairs.

Lamp

LED Lamp

| Operating voltage | 5 VDC | 12 VDC | 24 VDC |
|-------------------|-----------------|-----------------|-----------------|
| Color | Model (DC only) | Model (DC only) | Model (DC only) |
| Red | SLL-05ER | SLL-12ER | SLL-24ER |
| Yellow | SLL-05EY | SLL-12EY | SLL-24EY |
| Green | SLL-05EG | SLL-12EG | SLL-24EG |
| White | SLL-05EW | SLL-12EW | SLL-24EW |

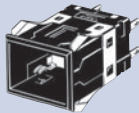
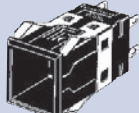
Note: The A3SJ (M2SJ) requires two LEDs for each Switch. The A3SA (M2SA) requires one LED.

Incandescent Lamp

| Operating voltage | Lamp type | Standard lamp | Low-voltage lamp |
|-------------------|-----------|---------------|------------------|
| 5 VAC/VDC | | SLL-06 | SLL-06H |
| 12 VAC/VDC | | SLL-14 | SLL-14H |
| 24 VAC/VDC | | SLL-28 | SLL-28H |

Note: The low-voltage lamp has an advantage in that it generates less heat.




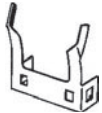
Switch (common to both LED models and incandescent lamp-lighted models)

| Contact type | | Number of outputs | Appearance Operation | Rectan- gular models | Square models | Selection precautions |
|-----------------------|---------------------------|-------------------|-------------------------|---|---|--|
| | | | |  |  | |
| Stand- ard load | Silver contacts | 1 | Momentary operation | A3SJ-8010 | A3SA-7010 | <ul style="list-style-type: none"> Use the Socket Unit in combination with the same shape Operation Unit (rectangular or square). Example: For the A3SJ-8010 Rectangular Operation Unit, select the A3SJ-8□□0 Socket Unit. Momentary operation is self-resetting, and alternate operation is self-holding (i.e., push-on, push-off). |
| | | | Alternate operation | A3SJ-8020 | A3SA-7020 | |
| | | 2 | Momentary operation | A3SJ-8030 | A3SA-7030 | |
| | | | Alternate operation | A3SJ-8040 | A3SA-7040 | |
| Micro- load | Gold alloy contacts | 1 | Momentary operation | A3SJ-8050 | A3SA-7050 | |
| | | | Alternate operation | A3SJ-8060 | A3SA-7060 | |
| | | 2 | Momentary operation | A3SJ-8070 | A3SA-7070 | |
| | | | Alternate operation | A3SJ-8080 | A3SA-7080 | |




Ordering Information

Accessories, Replacements, and Tools

Accessories for Rectangular Models

| Name | Appearance | Classification | Model | Application precautions |
|---------------------|---|------------------------------|------------------|---|
| Barrier |  | Short edge Barriers (1 pair) | A3SA-4001 | The purpose of a Barrier is to prevent malfunctioning and to improve design image of the mounting panel. There is one intermediate Barrier and one pair of edge Barriers (2 Barriers). Mount Short Barriers horizontally. Mount Long Barriers vertically. |
| | | Short intermediate Barriers | A3SA-4002 | |
| | | Long edge Barriers (1 pair) | A3SJ-4003 | |
| | | Long intermediate Barriers | A3SJ-4004 | |
| Switch Guard |  | – | A3SJ-5050 | Cannot be used with Barrier or Seal Cover. |
| Seal Cover |  | – | A3SJ-5060 | <ul style="list-style-type: none"> Cannot be used with Barrier or Switch Guard. Cap material: Vinyl chloride |
| Long Mounting Plate |  | 1 pair | A3SJ-3002 | Use when vertically mounting individual (with Barrier) or multiple Switches (in standard mounting style and with Barrier). A Short Mounting Plate is attached to the Switch; replace it with the long one. |

Accessories for Square Models

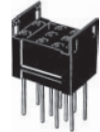

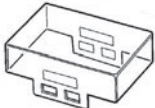


| Name | Appearance | Classification | Model | Application precautions |
|--------------|---|------------------------------|------------------|--|
| Barrier |  | Short Edge Barriers (1 pair) | A3SA-4001 | The purpose of the Barrier is to prevent malfunctioning and to improve design image of the mounting panel. |
| | | Short Intermediate Barrier | A3SA-4002 | |
| Switch Guard |  | – | A3SA-5050 | Cannot be used with Barrier or Seal Cover. |
| Seal Cover |  | – | A3SA-5060 | <ul style="list-style-type: none"> Cannot be used with Barrier or Switch Guard. Cap material: Vinyl chloride |

■ Accessory mounting: Refer to page 19.

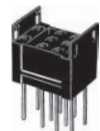



Ordering Information

Accessories, Replacements, and Tools


Replacements for Rectangular Models

| Name | Appearance | Classification | | Model | Application precautions |
|------------------|---|---------------------|----------------|---|---|
| Socket |  | Wire-wrap terminals | | A3SJ-4104 | <ul style="list-style-type: none"> • Sockets cannot be used for multiple mounting. |
| | | PCB terminals | | A3SJ-4105 | |
| | | Solder terminals | | A3SJ-4106 | |
| Dispersion plate |  | Milk-white | Single screen | A3SJ-5107 | – |
| Color cap |  | Transparent | Single screen | A3SJ-5600 | <ul style="list-style-type: none"> • Contact your OMRON representative for color changes or inscribing. • If LEDs are to be used, use a color cap that matches the LED color. • The blue color cap is only for incandescent lamps. |
| | | White | | A3SJ-5601 | |
| | | Red | | A3SJ-5602 | |
| | | Green | | A3SJ-5603 | |
| | | Blue | | A3SJ-5604 | |
| | | Yellow | | A3SJ-5605 | |
| |  | Transparent | 2-split screen | A3SJ-5630 | |
| | | White | | A3SJ-5631 | |
| | | Red | | A3SJ-5632 | |
| | | Green | | A3SJ-5633 | |
| | | Blue | | A3SJ-5634 | |
| | | Yellow | | A3SJ-5635 | |
| | | Legend plate | |  | |
| Milk-white | | | A3SJ-4203 | | |

Replacements for Square Models

| Name | Appearance | Classification | | Model | Application precautions |
|------------------|---|---------------------|--|-----------|---|
| Socket |  | Wire-wrap terminals | | A3SA-4101 | <ul style="list-style-type: none"> • Sockets cannot be used for multiple mounting. |
| | | PCB terminals | | A3SA-4102 | |
| | | Solder terminals | | A3SA-4103 | |
| Dispersion plate |  | Milk-white | | A3SA-5107 | – |
| Color cap |  | Transparent | | A3SA-5600 | <ul style="list-style-type: none"> • Contact your OMRON representative for color changes or inscribing. • If LED colors are to be used, use a color cap that matches the LED color. |
| | | White | | A3SA-5601 | |
| | | Red | | A3SA-5602 | |
| | | Green | | A3SA-5603 | |
| | | Blue | | A3SA-5604 | |
| | | Yellow | | A3SA-5605 | |
| Legend plate |  | Transparent | | A3SA-4204 | A transparent color cap is mounted to a standard Display. Legend plates cannot be used, however, with Displays for incandescent lamps. |
| | | Milk-white | | A3SA-4203 | |

Tools

| Name | Appearance | Classification | | Model | Application precautions |
|-----------|---|----------------|--|-----------|---|
| Extractor |  | – | | A3PJ-5080 | Convenient for extracting the Operation Unit. |

■ Accessory mounting: Refer to page 19.

Specifications

Approved Standard Ratings

UL (File No. E41515), CSA (File No. LR45258)

Standard Load: 3 A at 125 VAC
2 A at 250 VAC

Microload: 0.1 A at 125 VAC
0.1 A at 30 VDC

Note: Certification has been obtained for the Switch Unit.
For detailed information on individual products that have received certification, consult your supplier.

Ratings

For Standard Loads

| Rated voltage | Non-inductive load (A) | | | | Inductive load (A) | | | |
|---------------|------------------------|----|-----------|-----|--------------------|----|------------|-----|
| | Resistive load | | Lamp load | | Inductive load | | Motor load | |
| | NC | NO | NC | NO | NC | NO | NC | NO |
| 125 VAC | 3 | | 1 | 0.7 | 2 | | 1.5 | 1 |
| 250 VAC | 2 | | 0.7 | 0.5 | 1.5 | | 1 | 0.7 |
| 8 VDC | 3 | | 1 | | 2 | | 1.5 | |
| 14 VDC | 3 | | 1 | | 1.5 | | 1.5 | |
| 30 VDC | 2 | | 1 | | 1.5 | | 1 | |
| 125 VDC | 0.4 | | 0.05 | | 0.4 | | 0.05 | |
| 250 VDC | 0.2 | | 0.03 | | 0.2 | | 0.03 | |

Note: 1. The above values are for steady-state currents.
2. Inductive load: Power factor = 0.4; time constant = 7 ms.
3. The lamp load has an inrush current of 10 times the steady-state current.
4. The motor load has an inrush current of 6 times the steady-state current.
The rated values are for testing conducted under the following conditions.
(1) Ambient temperature: 20±2°C
(2) Ambient humidity: 65% ±5%RH
(3) Operating frequency: 20 times/min

For Microloads

| | |
|-------------------------|--|
| Rating | 0.1 A at 30 VDC (resistive load); 0.1 A at 125 VAC (resistive load) |
| Minimum applicable load | 1 mA at 5 VDC |

LED Lamp

| Type | Applied voltage | Rated voltage | Rated current | Built-in limiting resistance |
|---------|-----------------|---------------|---------------|------------------------------|
| DC only | 5 VDC±5% | 5 VDC | 30 mA | 39 Ω |
| | 12 VDC±5% | 12 VDC | 15 mA | 270 Ω |
| | 24 VDC±5% | 24 VDC | 12.5 mA | 1300 Ω |

Incandescent Lamp

| Applied voltage | Rated voltage | Standard lamp | Low-power lamp |
|-----------------|---------------|---------------|----------------|
| | | Rated current | Rated current |
| 5 VAC/VDC | 6 VAC/VDC | 200 mA | 100 mA |
| 12 VAC/VDC | 14 VAC/VDC | 80 mA | 40 mA |
| 24 VAC/VDC | 28 VAC/VDC | 40 mA | 25 mA |

Characteristics

| | | |
|---------------------------------|---|---|
| Operating frequency | Mechanical | Momentary operation models: 120 operations/min max. *1 |
| | Electrical | 20 operations/min max. |
| Insulation resistance | | 100 MΩ min. (at 500 VDC) |
| Dielectric strength | Between terminals of same polarity | 1,000 VAC, 50/60 Hz for 1 minute |
| | Between terminals of different polarity | 2,000 VAC, 50/60 Hz for 1 minute |
| | Between current-carrying metal part and ground | 2,000 VAC, 50/60 Hz for 1 minute |
| | Between each terminal and non-current-carrying metal part | 2,000 VAC, 50/60 Hz for 1 minute |
| | Between lamp terminals | 1,000 VAC, 50/60 Hz for 1 minute *2 |
| Vibration resistance | Malfunction | 10 to 55 Hz, 1.5-mm double amplitude (1 ms max.) |
| Shock resistance | Destruction | 500 m/s ² max. |
| | Malfunction | 200 m/s ² max. (1 ms max.) |
| Life expectancy | Mechanical | Momentary operation models: 1,000,000 operations min. Alternate operation models: 100,000 operations min. (One operation consists of set and reset operations.) |
| | Electrical | 100,000 operations min. (rated load) |
| Weight | | Approx. 10 g |
| Inrush current | NC | Standard load: 10 A max. |
| | NO | Standard load: 10 A max. |
| Ambient operating temperature | | -10 to 50°C (with no icing or condensation) |
| Ambient operating humidity | | 35% to 85% RH |
| Ambient storage temperature | | -25 to 65°C (with no icing or condensation) |
| Degree of protection | | IP00 |
| Electric shock protection class | | Class II |
| PTI (proof tracking index) | | 175 |
| Pollution degree | | 3 (IEC 60947-5-1) |

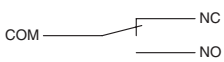
*1. With alternate operation models, 60 operations/min max. One operation cycle consists of set and reset operations.

*2. With no incandescent lamp or LED lamp mounted.

Operating Characteristics

| Operating characteristics | Operation | Momentary operation models | Alternate operation models |
|---------------------------|-----------------|----------------------------|----------------------------|
| | Operating force | OF max. | 3.92 N |
| Releasing force | RF min. | 0.49 N | 0.294 N |
| Total travel | TT | Approx. 3 mm | Approx. 3 mm |
| Pretravel | PT max. | 2.2 mm | 2.2 mm |
| Lock travel alternate | LTA min. | — | 0.5 mm |

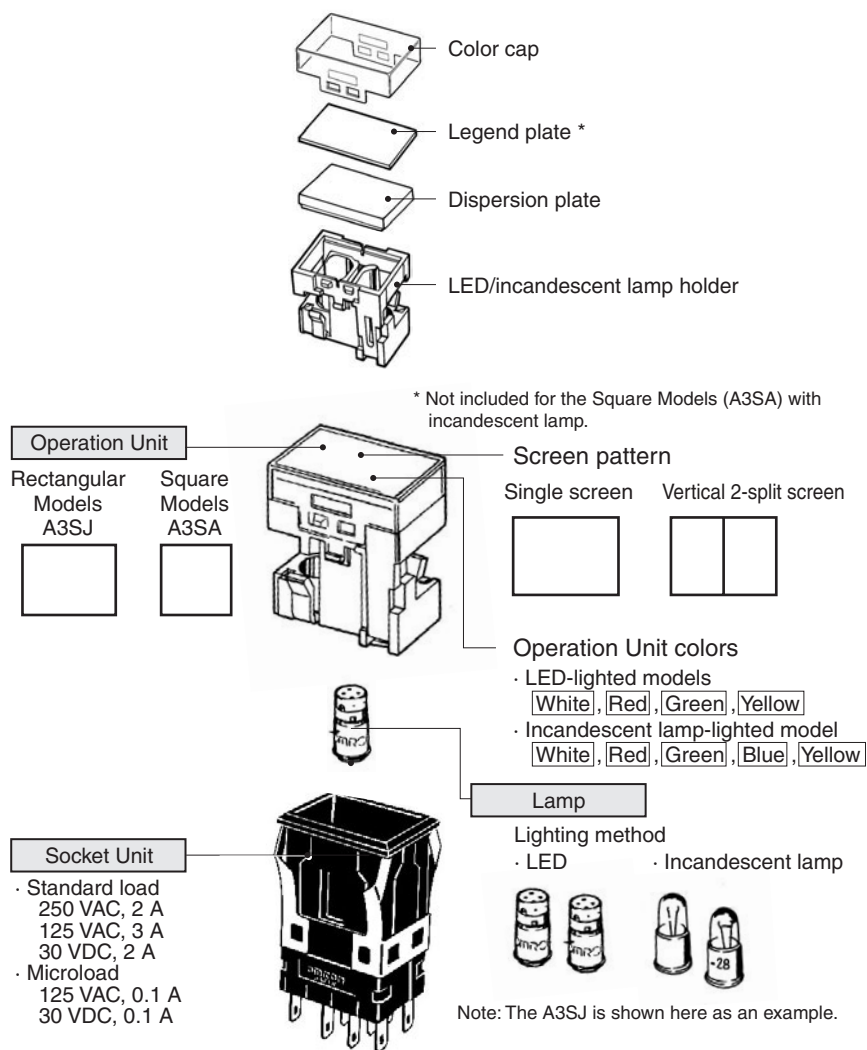
Contact Form

| Name | Contact Form |
|-----------------------|---|
| Double-throw contacts |  |

Nomenclature

Model Structure

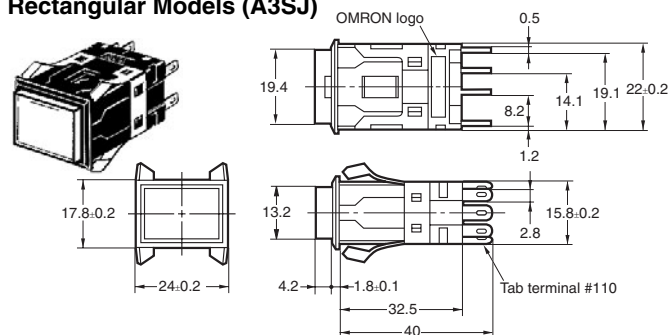
Operation Unit Structure



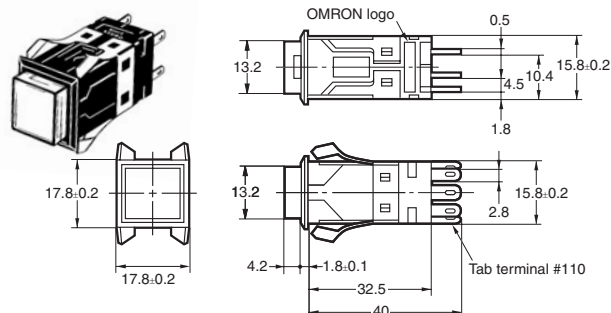
Dimensions The Dimension shows 2-switch outputs.

(Unit: mm)

Rectangular Models (A3SJ)



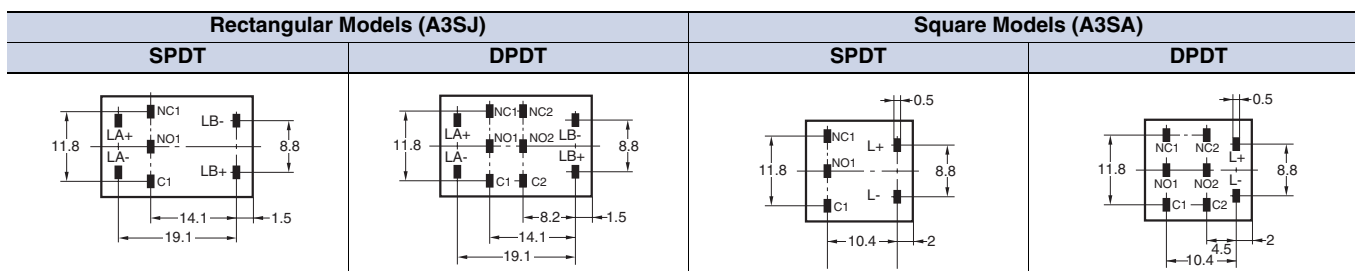
Square Models (A3SA)



Note: Unless specified, a tolerance of ± 0.4 mm applies for all dimensions. Use a mounting panel thickness of 1 to 4 mm.

Terminal Arrangement

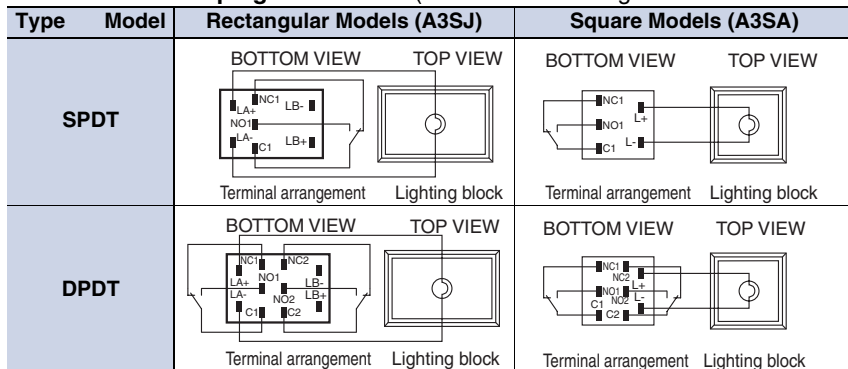
Bottom View (All are shown with the OMRON logo facing down.)



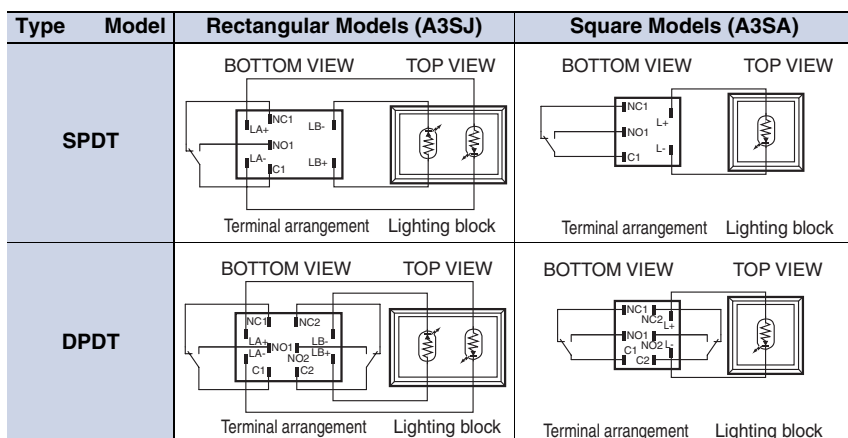
Note: The arrangements given above are not indicated on the Socket Unit.

Contact Type

Incandescent Lamp-lighted Models (The terminal arrangements are the same as for the LED-lighted models.)



LED Lamp-lighted Models



Dimensions

Panel Cutout (If using a Switch Guard or Seal Cover, refer to the panel cutout diagrams on page 17.)

Rectangular Models (A3SJ)

| Classification | Mounting design | Panel cutout | Remarks |
|----------------------|-------------------------------------|--------------|---|
| Flange mount models | Individual mounting, horizontal | | Panel cutout spacing between rows of Units: |
| | Multiple mounting, horizontal | | |
| | Individual mounting, vertical | | |
| | Multiple mounting, vertical | | |
| Barrier mount models | Individual mounting, horizontal | | Panel cutout spacing between rows of Units: |
| | Multiple mounting, horizontal | | |
| | Individual mounting, vertical | | |
| | Multiple mounting, vertical | | |

* If the panel is to be finished (e.g., coated), make sure that the panel meets the specified dimensions after the coating.

Square Models (A3SA)

| Classification | Mounting design | Panel cutout | Remarks |
|----------------------|-------------------------|--------------|---|
| Flange mount models | Individual mounting | | Panel cutout spacing between rows of Units: |
| | Multiple mounting | | |
| Barrier mount models | Individual mounting | | Panel cutout spacing between rows of Units: |
| | Multiple mounting | | |

* If the panel is to be finished (e.g., coated), make sure that the panel meets the specified dimensions after the coating.

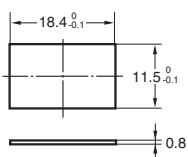
Dimensions

Accessory Mounting Dimensions

Legend Plate

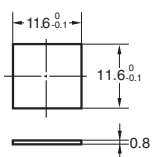
Rectangular Models

A3SJ-4203/-4204

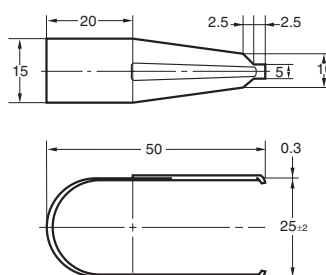


Square Models

A3SA-4203/-4204



Extractor A3PJ-5080



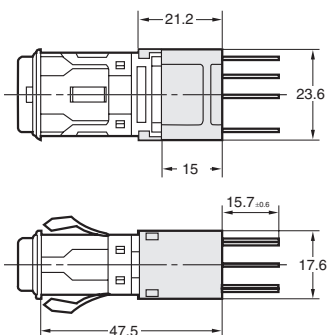
Note: Made from stainless steel.

Socket-mounting Dimensions

Rectangular Models

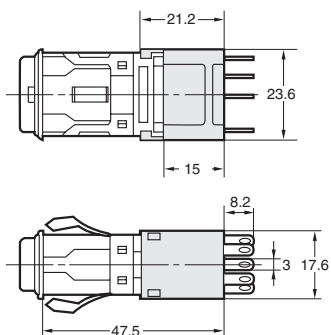
Wire-wrap Terminals

A3SJ-4104



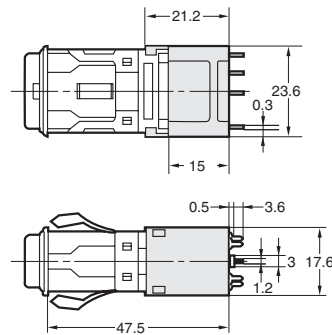
Solder Terminals

A3SJ-4106

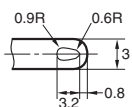


PCB Terminals

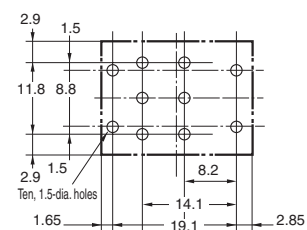
A3SJ-4105



Terminal Hole Dimensions



PCB Cutout (Bottom View)

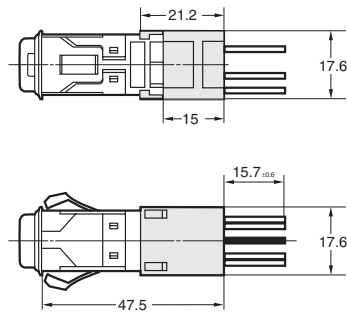


Dimensions

Square Models

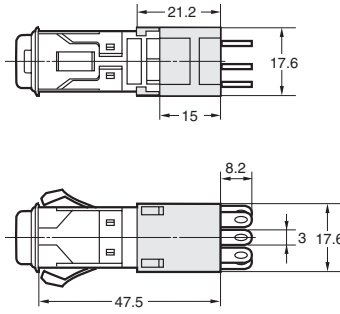
Wire-wrap Terminals

A3SA-4101



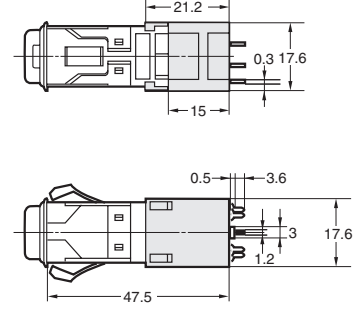
Solder Terminals

A3SA-4103

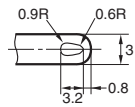


PCB Terminals

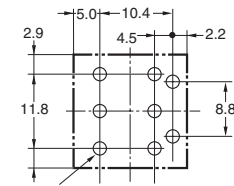
A3SA-4102



Terminal Hole Dimensions



PCB Cutout (bottom view)

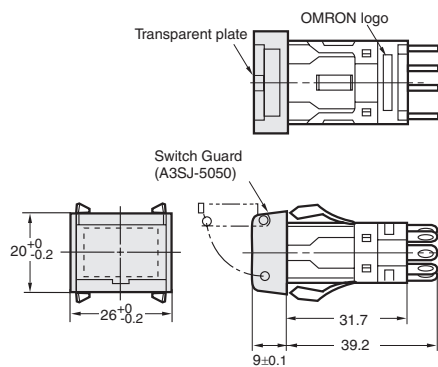


Eight, 1.5-dia. holes
The OMRON logo is downward on the Socket Unit.

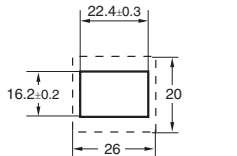
Switch and Guard Mounting Dimensions

Rectangular Models

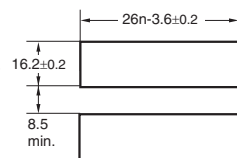
A3SJ-5050



Panel Cutouts Individual Mounting

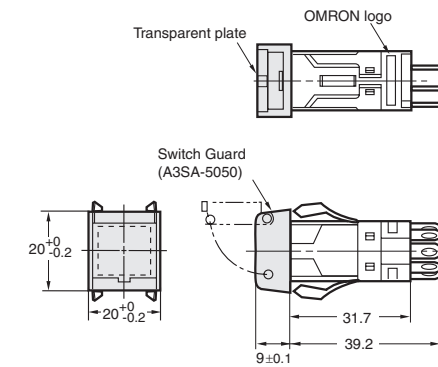


Multiple Mounting, horizontal

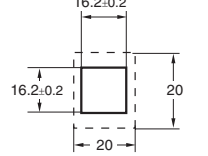


Square Models

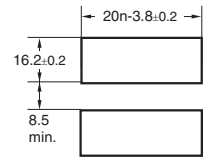
A3SA-5050



Panel Cutouts Individual Mounting



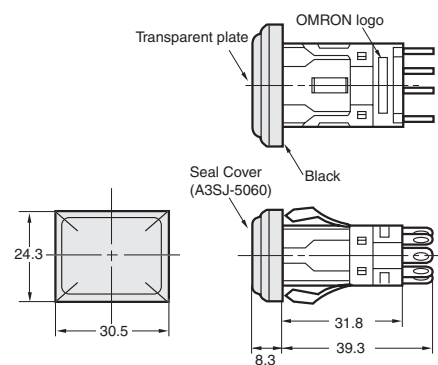
Multiple Mounting, horizontal



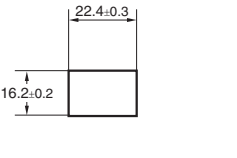
Seal Cover Mounting Dimensions

Rectangular Models

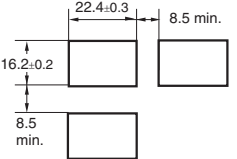
ASJ-5060



Panel Cutouts Individual Mounting

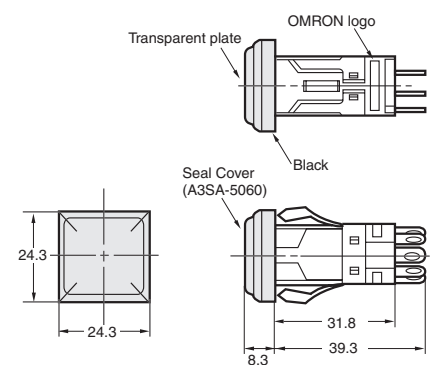


Multiple Mounting, horizontal

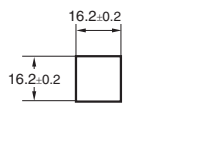


Square Models

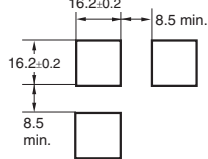
A3SA-5060



Panel Cutouts Individual Mounting



Multiple Mounting, horizontal



Note: 1. Recommended panel thickness: 1.0 to 3.3 mm
2. Unless otherwise specified, a tolerance of ±0.4 mm applies to all dimensions.

Safety Precautions

Refer to *Safety Precautions for All Pushbutton Switches*.

Precautions for Correct Use

Mounting

- Always make sure that the power is turned OFF before mounting, removing, or wiring the Switch, or performing maintenance. Electric shock or fire may occur.

Wiring

- For wiring, use a wire size that is appropriate for the applied voltage and the supplied current. Be sure to perform soldering according to the following conditions. Using the Switch with incomplete soldering may result in errors and heat, which may cause fire.

(1) Manual soldering: Use a soldering iron with a tip temperature of 350°C maximum and complete soldering within 3 seconds.

(2) Dip soldering: Solder at 350°C for 3 s or less.

Wait for one minute after soldering before exerting any external force on the solder.

- Use non-corrosive liquid rosin as the flux.
- If screw-tightened terminals are used, hold the Socket Unit Set or Socket Unit and install the lead wiring applying a torque of less than 0.98 N·m to the Socket Unit. Applying a torque of more than 0.98 N·m may result in damage. The tightening torque is 0.59 to 0.78 N·m.
- Make sure that the insulating sheath of the wires does not come in contact with the Unit. If wiring is performed with the insulating sheath of the wires coming in contact with the Unit, use wire with a minimum heat resistance of 100°C.
- After wiring the Switch, make sure that there is a suitable isolation distance.

Operating Environment

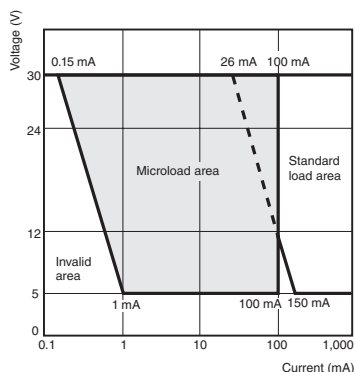
- Do not use in locations that are subject to dust, oil, or metal fillings, because these may penetrate the interior the Switch and cause malfunction.

Using Microloads

- Using a standard load switch when a microload circuit is opened or closed may cause wear on the contacts. Use the switch within the operating range. (Refer to the diagram below.) Even when using microload models within the operating range shown below, if inrush current occurs when the contacts are opened or closed, it may cause the contact surface to become rough, and so decrease life expectancy. Therefore, insert a contact protection circuit where necessary.

The minimum applicable load is the N-level reference value. This value indicates the malfunction reference level for the reliability level of 60% (λ 60) (conforming to JIS C5003).

The equation λ 60 = $0.5 \times 10^{-4}/\text{time}$ indicates that the estimated malfunction rate is less than 1/2,000,000 with a reliability level of 60%.



LED Lamp

- A current-limiting resistor for the LED lamp is built in, so no external resistor is required.

| Rated voltage | Built-in limiting resistance |
|---------------|------------------------------|
| 5 VDC | 39 Ω |
| 12 VDC | 270 Ω |
| 24 VDC | 1300 Ω |

Incandescent Lamp

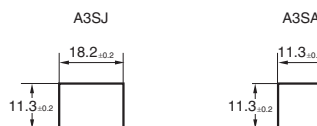
- It is advantageous in terms of service life and heat generation to apply 80% of the rated voltage (operating voltage) to the incandescent lamp.

Operation

- Always mount the Operation Unit before operating the Switch. (Using your fingers or tweezers to operate moving parts of the Switch may deform internal parts and cause malfunctions.)

Character Film

- If the character film is to be specially prepared, use heat-resistant film with a maximum thickness of 0.2 mm.



Others

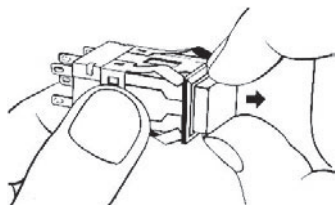
- If the panel is to be finished (e.g., coated), make sure that the panel meets the specified dimensions after the coating.

Application

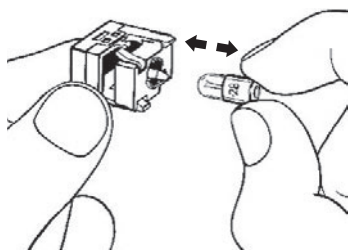
Replacing Incandescent and LED Lamps and Panel Mounting

Removing the Display

- Grasp the groove on the color cap surface, and pull it firmly toward you to remove the Display.
- An Extractor (A3PJ-5080) is available to conveniently remove the Display.

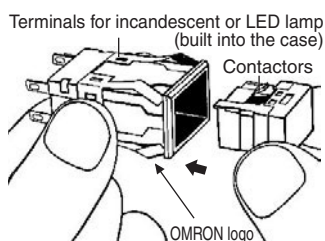


Mounting and Replacing Incandescent and LED Lamps



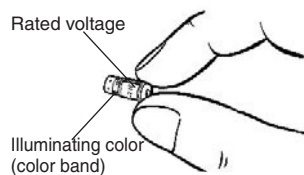
Inserting the Display into the Socket Unit

Insert the Operation Unit in the proper direction. With the OMRON logo downward, insert the Operation Unit so that the lamp/LED terminals on the inside surface of the Unit case and the contactors of the Display.



Rated Voltage and Color of LED

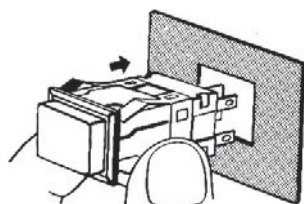
The LED voltage rating is indicated on the base. Use the LED within $\pm 5\%$ of voltage range.



Mounting to the Switch Panel

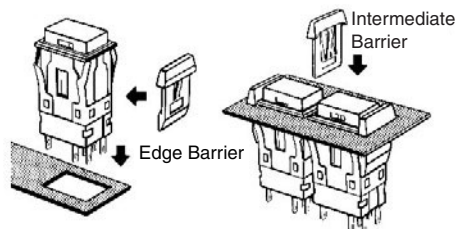
Mount the Socket Unit to the panel by inserting it from the front of the panel.

Mount the Socket Unit so that the OMRON logo is downward.



Barrier Mounting

- Place the Edge Barrier on the side of the Socket Unit, and then insert it into the panel.
- Insert the Intermediate Barrier between the Switches after inserting the Socket Units into the panel.



Inscribing Legend Plate Characters

Inscribing

A3SJ (M2SJ)

- Inscription depth: 0.5 mm max.
- The legend plate is made of polycarbonate, so apply an alcohol-based paint coating, such as melamine, phthalate, or acrylic resin paint when marking the legend.



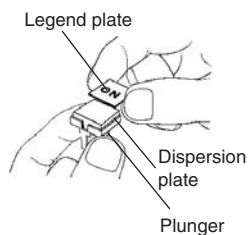
Legend plate

- When replacing the legend plate, be careful that the coil spring in the Display does not become removed.

Assembling the Legend Plate (Plunger)
A3SA (M2SA)

(LED Lamp)

(1) Assemble the color plate to the plunger, and then assemble the legend plate on top.

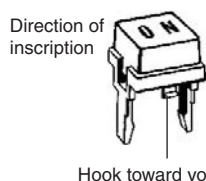


(Incandescent Lamp)

(2) Inscribe the surface of the plunger, and then coat the surface.

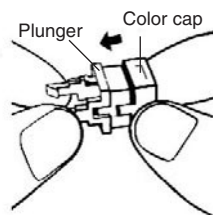
Lighted Square Pushbutton Switches

Assemble models A3SA-5301 to A3SA-5305 so that the hook is toward you.



Note: Legend plates cannot be used with A3SA Displays for incandescent lamps.

(3) Assemble the color cap to the inscribed plunger.

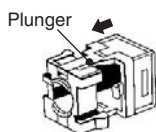


(4) Push in the color in the direction of the arrow to assemble the plunger and the lamp holder.

Lighted Square Pushbutton Switches

A3SA

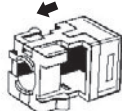
Perform the assembly so that the wide groove and the hook on the plunger are in the same direction.



Indicator

M2SA

Perform the assembly so that the wide groove and the hook on the plunger are in the same direction.



Terms and Conditions of Sale

1. **Offer; Acceptance.** These terms and conditions (these "Terms") are deemed part of all quotes, agreements, purchase orders, acknowledgments, price lists, catalogs, manuals, brochures and other documents, whether electronic or in writing, relating to the sale of products or services (collectively, the "Products") by Omron Electronics LLC and its subsidiary companies ("Omron"). Omron objects to any terms or conditions proposed in Buyer's purchase order or other documents which are inconsistent with, or in addition to, these Terms.
2. **Prices; Payment Terms.** All prices stated are current, subject to change without notice by Omron. Omron reserves the right to increase or decrease prices on any unshipped portions of outstanding orders. Payments for Products are due net 30 days unless otherwise stated in the invoice.
3. **Discounts.** Cash discounts, if any, will apply only on the net amount of invoices sent to Buyer after deducting transportation charges, taxes and duties, and will be allowed only if (i) the invoice is paid according to Omron's payment terms and (ii) Buyer has no past due amounts.
4. **Interest.** Omron, at its option, may charge Buyer 1-1/2% interest per month or the maximum legal rate, whichever is less, on any balance not paid within the stated terms.
5. **Orders.** Omron will accept no order less than \$200 net billing.
6. **Governmental Approvals.** Buyer shall be responsible for, and shall bear all costs involved in, obtaining any government approvals required for the importation or sale of the Products.
7. **Taxes.** All taxes, duties and other governmental charges (other than general real property and income taxes), including any interest or penalties thereon, imposed directly or indirectly on Omron or required to be collected directly or indirectly by Omron for the manufacture, production, sale, delivery, importation, consumption or use of the Products sold hereunder (including customs duties and sales, excise, use, turnover and license taxes) shall be charged to and remitted by Buyer to Omron.
8. **Financial.** If the financial position of Buyer at any time becomes unsatisfactory to Omron, Omron reserves the right to stop shipments or require satisfactory security or payment in advance. If Buyer fails to make payment or otherwise comply with these Terms or any related agreement, Omron may (without liability and in addition to other remedies) cancel any unshipped portion of Products sold hereunder and stop any Products in transit until Buyer pays all amounts, including amounts payable hereunder, whether or not then due, which are owing to it by Buyer. Buyer shall in any event remain liable for all unpaid accounts.
9. **Cancellation; Etc.** Orders are not subject to rescheduling or cancellation unless Buyer indemnifies Omron against all related costs or expenses.
10. **Force Majeure.** Omron shall not be liable for any delay or failure in delivery resulting from causes beyond its control, including earthquakes, fires, floods, strikes or other labor disputes, shortage of labor or materials, accidents to machinery, acts of sabotage, riots, delay in or lack of transportation or the requirements of any government authority.
11. **Shipping; Delivery.** Unless otherwise expressly agreed in writing by Omron:
 - a. Shipments shall be by a carrier selected by Omron; Omron will not drop ship except in "break down" situations.
 - b. Such carrier shall act as the agent of Buyer and delivery to such carrier shall constitute delivery to Buyer;
 - c. All sales and shipments of Products shall be FOB shipping point (unless otherwise stated in writing by Omron), at which point title and risk of loss shall pass from Omron to Buyer; provided that Omron shall retain a security interest in the Products until the full purchase price is paid;
 - d. Delivery and shipping dates are estimates only; and
 - e. Omron will package Products as it deems proper for protection against normal handling and extra charges apply to special conditions.
12. **Claims.** Any claim by Buyer against Omron for shortage or damage to the Products occurring before delivery to the carrier must be presented in writing to Omron within 30 days of receipt of shipment and include the original transportation bill signed by the carrier noting that the carrier received the Products from Omron in the condition claimed.
13. **Warranties.** (a) **Exclusive Warranty.** Omron's exclusive warranty is that the Products will be free from defects in materials and workmanship for a period of twelve months from the date of sale by Omron (or such other period expressed in writing by Omron). Omron disclaims all other warranties, express or implied. (b) **Limitations.** OMRON MAKES NO WARRANTY OR REPRESENTATION, EXPRESS OR IMPLIED, ABOUT NON-INFRINGEMENT, MERCHANTABILITY OR FITNESS FOR A PARTICULAR PURPOSE OF THE PRODUCTS. BUYER ACKNOWLEDGES THAT IT ALONE HAS DETERMINED THAT THE PRODUCTS WILL SUITABLY MEET THE REQUIREMENTS OF THEIR INTENDED USE. Omron further disclaims all warranties and responsibility of any type for claims or expenses based on infringement by the Products or otherwise of any intellectual property right. (c) **Buyer Remedy.** Omron's sole obligation hereunder shall be, at Omron's election, to (i) replace (in the form originally shipped with Buyer responsible for labor charges for removal or replacement thereof) the non-complying Product, (ii) repair the non-complying Product, or (iii) repay or credit Buyer an amount equal to the purchase price of the non-complying Product; provided that in no event shall Omron be responsible for warranty, repair, indemnity or any other claims or expenses regarding the Products unless Omron's analysis confirms that the Products were properly handled, stored, installed and maintained and not subject to contamination, abuse, misuse or inappropriate modification. Return of any Products by Buyer must be approved in writing by Omron before shipment. Omron Companies shall not be liable for the suitability or unsuitability or the results from the use of Products in combination with any electrical or electronic components, circuits, system assemblies or any other materials or substances or environments. Any advice, recommendations or information given orally or in writing, are not to be construed as an amendment or addition to the above warranty. See <http://www.omron247.com> or contact your Omron representative for published information.
14. **Limitation on Liability; Etc.** OMRON COMPANIES SHALL NOT BE LIABLE FOR SPECIAL, INDIRECT, INCIDENTAL, OR CONSEQUENTIAL DAMAGES, LOSS OF PROFITS OR PRODUCTION OR COMMERCIAL LOSS IN ANY WAY CONNECTED WITH THE PRODUCTS, WHETHER SUCH CLAIM IS BASED IN CONTRACT, WARRANTY, NEGLIGENCE OR STRICT LIABILITY. Further, in no event shall liability of Omron Companies exceed the individual price of the Product on which liability is asserted.
15. **Indemnities.** Buyer shall indemnify and hold harmless Omron Companies and their employees from and against all liabilities, losses, claims, costs and expenses (including attorney's fees and expenses) related to any claim, investigation, litigation or proceeding (whether or not Omron is a party) which arises or is alleged to arise from Buyer's acts or omissions under these Terms or in any way with respect to the Products. Without limiting the foregoing, Buyer (at its own expense) shall indemnify and hold harmless Omron and defend or settle any action brought against such Companies to the extent based on a claim that any Product made to Buyer specifications infringed intellectual property rights of another party.
16. **Property; Confidentiality.** Any intellectual property in the Products is the exclusive property of Omron Companies and Buyer shall not attempt to duplicate it in any way without the written permission of Omron. Notwithstanding any charges to Buyer for engineering or tooling, all engineering and tooling shall remain the exclusive property of Omron. All information and materials supplied by Omron to Buyer relating to the Products are confidential and proprietary, and Buyer shall limit distribution thereof to its trusted employees and strictly prevent disclosure to any third party.
17. **Export Controls.** Buyer shall comply with all applicable laws, regulations and licenses regarding (i) export of products or information; (ii) sale of products to "forbidden" or other proscribed persons; and (iii) disclosure to non-citizens of regulated technology or information.
18. **Miscellaneous.** (a) **Waiver.** No failure or delay by Omron in exercising any right and no course of dealing between Buyer and Omron shall operate as a waiver of rights by Omron. (b) **Assignment.** Buyer may not assign its rights hereunder without Omron's written consent. (c) **Law.** These Terms are governed by the law of the jurisdiction of the home office of the Omron company from which Buyer is purchasing the Products (without regard to conflict of law principles). (d) **Amendment.** These Terms constitute the entire agreement between Buyer and Omron relating to the Products, and no provision may be changed or waived unless in writing signed by the parties. (e) **Severability.** If any provision hereof is rendered ineffective or invalid, such provision shall not invalidate any other provision. (f) **Setoff.** Buyer shall have no right to set off any amounts against the amount owing in respect of this invoice. (g) **Definitions.** As used herein, "including" means "including without limitation"; and "Omron Companies" (or similar words) mean Omron Corporation and any direct or indirect subsidiary or affiliate thereof.

Certain Precautions on Specifications and Use

1. **Suitability of Use.** Omron Companies shall not be responsible for conformity with any standards, codes or regulations which apply to the combination of the Product in the Buyer's application or use of the Product. At Buyer's request, Omron will provide applicable third party certification documents identifying ratings and limitations of use which apply to the Product. This information by itself is not sufficient for a complete determination of the suitability of the Product in combination with the end product, machine, system, or other application or use. Buyer shall be solely responsible for determining appropriateness of the particular Product with respect to Buyer's application, product or system. Buyer shall take application responsibility in all cases but the following is a non-exhaustive list of applications for which particular attention must be given: (i) Outdoor use, uses involving potential chemical contamination or electrical interference, or conditions or uses not described in this document. (ii) Use in consumer products or any use in significant quantities. (iii) Energy control systems, combustion systems, railroad systems, aviation systems, medical equipment, amusement machines, vehicles, safety equipment, and installations subject to separate industry or government regulations. (iv) Systems, machines and equipment that could present a risk to life or property. Please know and observe all prohibitions of use applicable to this Product. NEVER USE THE PRODUCT FOR AN APPLICATION INVOLVING SERIOUS RISK TO LIFE OR PROPERTY OR IN LARGE QUANTITIES WITHOUT ENSURING THAT THE SYSTEM AS A WHOLE HAS BEEN DESIGNED TO ADDRESS THE RISKS, AND THAT THE OMRON'S PRODUCT IS PROPERLY RATED AND INSTALLED FOR THE INTENDED USE WITHIN THE OVERALL EQUIPMENT OR SYSTEM.
2. **Programmable Products.** Omron Companies shall not be responsible for the user's programming of a programmable Product, or any consequence thereof.
3. **Performance Data.** Data presented in Omron Company websites, catalogs and other materials is provided as a guide for the user in determining suitability and does not constitute a warranty. It may represent the result of Omron's test conditions, and the user must correlate it to actual application requirements. Actual performance is subject to the Omron's Warranty and Limitations of Liability.
4. **Change in Specifications.** Product specifications and accessories may be changed at any time based on improvements and other reasons. It is our practice to change part numbers when published ratings or features are changed, or when significant construction changes are made. However, some specifications of the Product may be changed without any notice. When in doubt, special part numbers may be assigned to fix or establish key specifications for your application. Please consult with your Omron's representative at any time to confirm actual specifications of purchased Product.
5. **Errors and Omissions.** Information presented by Omron Companies has been checked and is believed to be accurate; however, no responsibility is assumed for clerical, typographical or proofreading errors or omissions.



OMRON INDUSTRIAL AUTOMATION • THE AMERICAS HEADQUARTERS • Schaumburg, IL USA • 847.843.7900 • 800.556.6766 • www.omron247.com

OMRON CANADA, INC. • HEAD OFFICE

Toronto, ON, Canada • 416.286.6465 • 866.986.6766 • www.omron247.com

OMRON ELECTRONICS DE MEXICO • HEAD OFFICE

México DF • 52.55.59.01.43.00 • 001.800.556.6766 • mela@omron.com

OMRON ELECTRONICS DE MEXICO • SALES OFFICE

Apodaca, N.L. • 52.81.11.56.99.20 • 001.800.556.6766 • mela@omron.com

OMRON ELETRÔNICA DO BRASIL LTDA • HEAD OFFICE

São Paulo, SP, Brasil • 55.11.2101.6300 • www.omron.com.br

OMRON ARGENTINA • SALES OFFICE

Cono Sur • 54.11.4783.5300

OMRON CHILE • SALES OFFICE

Santiago • 56.9.9917.3920

OTHER OMRON LATIN AMERICA SALES

54.11.4783.5300

OMRON EUROPE B.V. • Wegalaan 67-69, NL-2132 JD, Hoofddorp, The Netherlands. • Tel: +31 (0) 23 568 13 00 • Fax: +31 (0) 23 568 13 88 • www.industrial.omron.eu

Authorized Distributor:

Automation Systems

- Programmable logic controllers (PLC) • Human machine interfaces (HMI) • Remote I/O
- Industrial PC's • Software

Motion & Drives

- Motion controllers • Servo systems • AC drives

Control Components

- Temperature controllers • Power supplies • Timers • Counters • Programmable relays
- Digital panel indicators • Electromechanical relays • Monitoring products • Solid-state relays
- Limit switches • Pushbutton switches • Low voltage switch gear

Sensing & Safety

- Photoelectric sensors • Inductive sensors • Capacitive & pressure sensors
- Cable connectors • Displacement & width-measuring sensors • Vision systems
- Safety networks • Safety sensors • Safety units/relay units • Safety door/guard lock switches

X-ON Electronics

Largest Supplier of Electrical and Electronic Components

Click to view similar products for [Pushbutton Switches](#) category:

Click to view products by [Omron](#) manufacturer:

Other Similar products are found below :

[8940K2012](#) [LW1L-M1C10V-A](#) [LW1L-M1C70-A](#) [LW2L-A1C20M-GD](#) [LW2L-M1C20M-A](#) [60324L](#) [M22-D-R-GB0/K11](#) [M7E-HRN2](#)
[67021K512](#) [67081K512X](#) [701PB580](#) [7199K101](#) [810K12910](#) [810KSV30B](#) [MML21EA2ADK](#) [MML21KA3ABK](#) [MML23KA3AC05K-001](#)
[MML23KW3AA01W](#) [8418K2](#) [8442K2](#) [8442K3](#) [8450K1](#) [860K11911T01A](#) [861901](#) [861K11911T01A07](#) [861K13810T00A14](#) [861K13911](#)
[8646AB6X718UL](#) [8646ABUL](#) [9001KXRK](#) [907AYY100](#) [PMHD155A1](#) [9533CD4+U574+U4922](#) [95-414.000](#) [99-450.837](#) [99-453.837](#)
[PV3H2B0NN-341](#) [1203MRA](#) [A22NZBGANGA](#) [A22NZBMMNGA](#) [A22NZBNANGA](#) [A22NZMPATRA](#) [A2PMA1X03EC56](#) [A3A-5123-02](#)
[A3A-7140](#) [A3A-7310](#) [A3A-7340](#) [A3U-TMW-A2C-5M](#) [A595](#) [12037A2ULCSA](#)