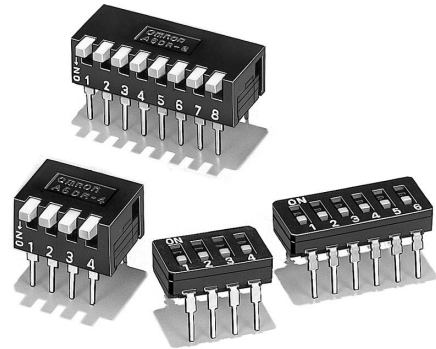


Through-hole Mounting DIP Switch with High Environmental Resistance by Sealed Construction

- Sealed structure equivalent to IP64 (IEC-60529) prevents flux penetration and provides high contact reliability even in dusty locations and locations where water is used.
- Smooth, sure switching action enables comfortable operation.
- Gold-plated twin contacts ensure high reliability.



RoHS Compliant

List of Models

Tube packaging (Slide)/ Unit box (Piano)

| Type | Slide | | | | Piano | |
|--------------|-------------------|---|-------------------|--|-----------------------|---|
| | Flat actuator | | Raised actuator | | | |
| | Quantity per tube |  | Quantity per tube |  | Quantity per Unit box |  |
| No. of poles | | | | | | |
| 2 | 73 | A6D-2100 | 73 | A6D-2103 | 100 | A6DR-2100 |
| 3 | 54 | A6D-3100 | 54 | A6D-3103 | — | — |
| 4 | 43 | A6D-4100 | 43 | A6D-4103 | 50 | A6DR-4100 |
| 5 | 35 | A6D-5100 | 35 | A6D-5103 | — | — |
| 6 | 30 | A6D-6100 | 30 | A6D-6103 | 50 | A6DR-6100 |
| 7 | 26 | A6D-7100 | 26 | A6D-7103 | — | — |
| 8 | 23 | A6D-8100 | 23 | A6D-8103 | 50 | A6DR-8100 |
| 9 | 20 | A6D-9100 | 20 | A6D-9103 | — | — |
| 10 | 19 | A6D-0100 | 19 | A6D-0103 | 50 | A6DR-0100 |

Note: 1. Order in multiples of the package quantity.

2. Contact your OMRON sales representatives to request special markings or designations.

Ratings/Characteristics

| | | |
|---|---|--------------------------------------|
| Rating (resistive load) | 30 mA at 30 VDC 10 μ A (minimum current) at 3.5 VDC | |
| Ambient operating temperature | -20 to +70°C at 60% max. (with no icing or condensation) | |
| Ambient operating humidity | 35% to 95% (at +5 to +35°C) | |
| Insulation resistance | 100 M Ω min. (at 250 VDC with insulation tester) | |
| Contact resistance (initial value) | 100 m Ω max. | |
| Dielectric strength | Between terminals | 500 VAC for 1 min |
| Vibration resistance | Malfunction | 10 to 55 Hz, 1.5-mm double amplitude |
| Shock resistance | Malfunction | 300 m/s ² min. |
| Durability | Electrical | 2,000 operations min. |
| Washing | Possible | |
| Degree of protection | Internally sealed (IEC IP64 equivalency) | |
| Operating force | 0.29 to 4.9 N {30 to 500 gf} | |
| Weight | Slide: 0.28 g (2 poles), 0.45 g (4 poles), 0.65 g (6 poles), 0.80 g (8 poles), 1.0 g (10 poles) Piano: 0.53 g (2 poles), 0.8 g (4 poles), 1.2 g (6 poles), 1.7 g (8 poles), 2.2 g (10 poles) | |

Dimensions (Unit: mm)

Slide

● **Flat Actuator**

A6D-□100



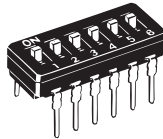
Flat Actuator

Raised Actuator



● **Raised Actuator**

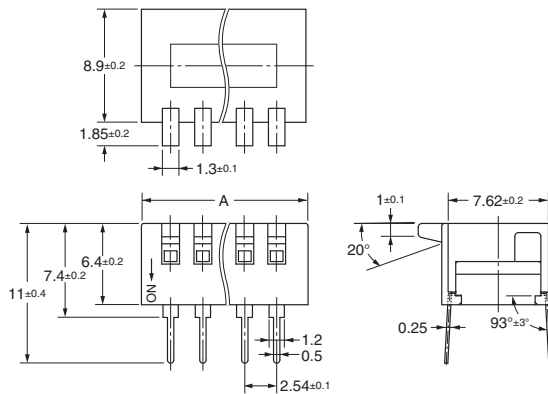
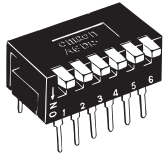
A6D-□103



| No. of poles | Model | | Dimension A±0.2 |
|--------------|---------------|-----------------|-----------------|
| | Flat Actuator | Raised Actuator | |
| 2 | A6D-2100 | A6D-2103 | 7.1 |
| 3 | A6D-3100 | A6D-3103 | 9.7 |
| 4 | A6D-4100 | A6D-4103 | 12.2 |
| 5 | A6D-5100 | A6D-5103 | 14.7 |
| 6 | A6D-6100 | A6D-6103 | 17.3 |
| 7 | A6D-7100 | A6D-7103 | 19.8 |
| 8 | A6D-8100 | A6D-8103 | 22.4 |
| 9 | A6D-9100 | A6D-9103 | 24.9 |
| 10 | A6D-0100 | A6D-0103 | 27.4 |

Piano

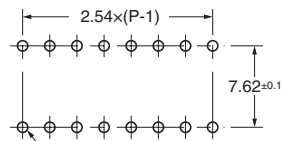
A6DR-□100



| No. of poles | Model | Dimension A±0.2 |
|--------------|-----------|-----------------|
| 2 | A6DR-2100 | 7.1 |
| 4 | A6DR-4100 | 12.2 |
| 6 | A6DR-6100 | 17.3 |
| 8 | A6DR-8100 | 22.4 |
| 10 | A6DR-0100 | 27.4 |

PCB Dimensions (Reference)
(Top View)

(Single-sided PCB, t=1.2 to 1.6)



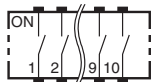
0.8 dia. (min.) holes * P: Number of Poles

* 0.9 dia. for automatic insertion.

Note: Unless otherwise specified, a tolerance of ±0.4 mm applies to all dimensions.

Internal Connections

Contact Form (Top View)



Precautions

Be sure to read the Safety precautions common to all DIP Switches for correct use.

- Application examples provided in this document are for reference only. In actual applications, confirm equipment functions and safety before using the product.
- Consult your OMRON representative before using the product under conditions which are not described in the manual or applying the product to nuclear control systems, railroad systems, aviation systems, vehicles, combustion systems, medical equipment, amusement machines, safety equipment, and other systems or equipment that may have a serious influence on lives and property if used improperly. Make sure that the ratings and performance characteristics of the product provide a margin of safety for the system or equipment, and be sure to provide the system or equipment with double safety mechanisms.

Note: Do not use this document to operate the Unit.

OMRON Corporation
Electronic and Mechanical Components Company

Contact: www.omron.com/ecb

Cat. No. A052-E1-08
0117(0207)(O)

X-ON Electronics

Largest Supplier of Electrical and Electronic Components

Click to view similar products for [DIP Switches/SIP Switches](#) category:

Click to view products by [Omron](#) manufacturer:

Other Similar products are found below :

[78M03S](#) [79B10T](#) [8136-475G4T](#) [G7G-1A2-CB-DC12](#) [H7CZL8AC100240](#) [A7SS-M](#) [A8CA-201](#) [DRR60016](#) [DRS4016](#) [1825008-1](#) [1825444-1](#) [25.350.0653.0](#) [SDA10H1BDA](#) [97R06ST](#) [A2C-2A5](#) [1825444-7](#) [ADE08SA04](#) [ADE12S04](#) [192960010](#) [2-1825058-8](#) [25.330.0653.1](#) [25.352.0353.0](#) [CXDRIVEV2X](#) [IKN0600000](#) [IKN0800000](#) [LA2-002-DC24](#) [DBS1003](#) [438872000](#) [DRD10CRAE04](#) [DSR02T](#) [DSS 208 N](#) [E2FMX2D1M1TGJ03M](#) [NDI10H](#) [219-9MSTP](#) [204-6ES](#) [EPM02FV](#) [701521596](#) [NDS08V](#) [76SB05](#) [79A10](#) [TD06H0SK1](#) [Z7.255.9027.0](#) [1-1825058-3](#) [1825428-4](#) [219-10LPSTF](#) [E3ZG6111D03M](#) [G4D212PUSTV2DC5](#) [NDI05H](#) [EPG301BT06](#) [206S0117](#)