

Heavy-Duty Switch Features Plug-In Construction

- Oiltight, watertight construction meets NEMA 3, 4, 4X, 6P and 13
- Convenient front mounting, easy installation and maintenance
- Wide temperature range: -40° to 100°C (-40° to 212°F)
- Choose operation status models with LED or neon lamp indicators
- Side rotary switches accept a wide selection of levers
- Increased mechanical durability



Ordering Information

■ SIDE ROTARY SWITCHES

When ordering side rotary switches, order the levers separately from the next page.

| Description | SPDT double break | | | DPDT double break |
|---------------------------|-------------------|------------------|------------------|-------------------|
| | No indicator | Neon lamp | LED indicator | No indicator |
| Standard | D4A-1101N | D4A-1301N | D4A-1E01N | D4A-2501N |
| High-precision | D4A-1102N | D4A-1302N | D4A-1E02N | D4A-2502N |
| Low torque | D4A-1103N | D4A-1303N | D4A-1E03N | D4A-2503N |
| High precision/low torque | D4A-1104N | D4A-1304N | D4A-1E04N | D4A-2504N |
| Maintained contact | D4A-1105N | D4A-1305N | D4A-1E05N | D4A-2505N |
| Sequential operation | — | — | — | D4A-2717N |
| Center neutral operation | — | — | — | D4A-2918N |



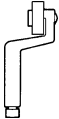
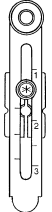


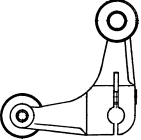
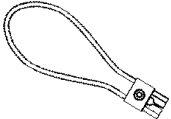
■ SWITCHES WITH BUILT-IN ACTUATORS

| Description | | SPDT double break | | | DPDT double break |
|-------------------|---------------------|---------------------|---------------------|---------------------|---------------------|
| | | No indicator | Neon lamp | LED indicator | No indicator |
| Side plunger type | Plain | D4A-1106N | D4A-1306N | D4A-1E06N | D4A-2506N |
| | Vertical roller | D4A-1107-V-N | D4A-1307-V-N | D4A-1E07-V-N | D4A-2507-V-N |
| | Horizontal roller | D4A-1107-H-N | D4A-1307-H-N | D4A-1E07-H-N | D4A-2507-V-N |
| | Adjustable plunger | D4A-1108N | D4A-1308N | D4A-1E08N | D4A-2508N |
| Top plunger type | Plain | D4A-1109N | D4A-1309N | D4A-1E09N | D4A-2509N |
| | Roller | D4A-1110N | D4A-1310N | D4A-1E10N | D4A-2510N |
| | Adjustable plunger | D4A-1111N | D4A-1311N | D4A-1E11N | D4A-2511N |
| Wobble lever type | Spring wire | D4A-1112N | D4A-1312N | D4A-1E12N | D4A-2512N |
| | Piano wire rod | D4A-1114N | D4A-1314N | D4A-1E14N | D4A-2514N |
| | Stainless steel rod | D4A-1124N | D4A-1324N | D4A-1E24N | D4A-2524N |
| | Cat whisker | D4A-1115N | D4A-1315N | D4A-1E15N | D4A-2515N |
| | Coil spring | D4A-1116N | D4A-1316N | D4A-1E16N | D4A-2516N |

■ OPTIONS

Add "-F" suffix for Viton® fluoroelastomer seals that withstand temperatures to 120°C (248°F). For example, **D4A-1101N-F**.

■ LEVERS FOR D4A-N SIDE ROTARY SWITCHES

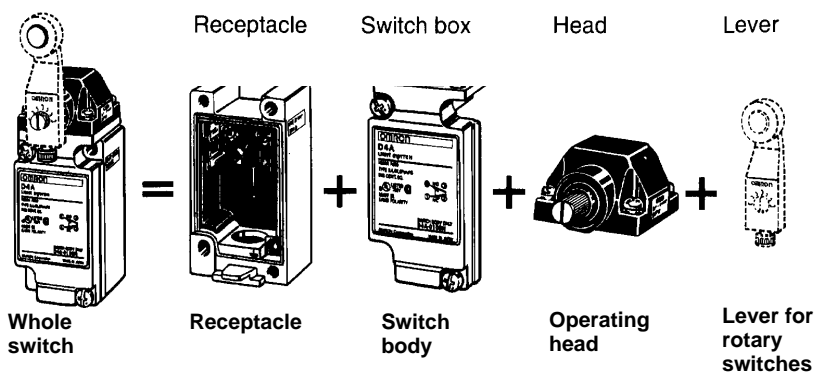
| Description | | Lever radius | Material | Diameter | Width | Part number |
|--|--------------------------|---------------------------------|-----------------|-------------------|------------------|-----------------|
| Standard roller levers, front mount  | | 38.1 mm (1.5 in) | Stainless steel | 19.1 mm (0.75 in) | 7.9 mm (0.31 in) | D4A-A00 |
| | | 33.7 mm (1.33 in) | Stainless steel | 17.5 mm (0.69 in) | 15 mm (0.59 in) | D4A-B06 |
| | | 38.0 mm (1.5 in) | Ball bearing | 17.0 mm (0.67 in) | 6 mm (0.24 in) | WL-1A400 |
| | | 38.0 mm (1.5 in) | Nylon | 17.5 mm (0.69 in) | 30 mm (1.18 in) | WL-1A104 |
| | | 50.0 mm (1.97 in) | Stainless steel | 17.5 mm (0.69 in) | 15 mm (0.59 in) | WL-1A200 |
| | | 63.0 mm (2.48 in) | Stainless steel | 17.5 mm (0.69 in) | 7.0 mm (0.28 in) | WL-1A300 |
| Standard roller lever, back mount  | | 38.1 mm (1.5 in) | Stainless steel | 19.1 mm (0.75 in) | 7.9 mm (0.31 in) | D4A-A10 |
| | | 38.1 mm (1.5 in) | Nylon | 50 mm (1.97 in) | 7.0 mm (0.28 in) | WL-1A106 |
| Offset roller lever  | Front mount | 38.1 mm (1.5 in) | Stainless steel | 19.1 mm (0.75 in) | 7.9 mm (0.31 in) | D4A-A20 |
| | Back mount | 38.1 mm (1.5 in) | Stainless steel | 19.1 mm (0.75 in) | 7.9 mm (0.31 in) | D4A-A30 |
| Adjustable roller lever, front mount  | | 25 to 89 mm (0.98 to 3.5 in) L | Nylon | 17.5 mm (0.69 in) | 7.0 mm (0.28 in) | WL-2A111 |
| | | 33 to 91 mm (1.3 to 3.6 in) L | Stainless steel | 19.1 mm (0.75 in) | 7.4 mm (0.29 in) | D4A-C00 |
| Spring rod lever  | | 290 mm (11.5 in) L | Stainless steel | 2 mm (0.08 in) | — | WL-4A201 |
| Adjustable rod lever  | | 150 mm (5.91 in) L | Stainless steel | 3 mm (0.12 in) | — | D4A-D00 |
| | | 350 to 380 mm (13.8 to 15 in) L | Stainless steel | 3.2 mm (0.13 in) | — | WL-3A100 |
| Fork roller lever  | L.H. front/ R.H. back | 38.1 mm (1.5 in) | Stainless steel | 19.1 mm (0.75 in) | 7.9 mm (0.31 in) | D4A-E00 |
| | | 38.0 mm (1.5 in) | Nylon | 17.5 mm (0.69 in) | 7.0 mm (0.28 in) | WL-5A100 |
| | L.H. back/ R.H. front | 38.1 mm (1.5 in) | Stainless steel | 19.1 mm (0.75 in) | 7.9 mm (0.31 in) | D4A-E10 |
| | | 38.0 mm (1.5 in) | Nylon | 17.5 mm (0.69 in) | 7.0 mm (0.28 in) | WL-5A102 |
| | Both front | 38.1 mm (1.5 in) | Stainless steel | 19.1 mm (0.35 in) | 7.9 mm (0.31 in) | D4A-E20 |
| Looped rod  | | 150 mm (6 in) L | Nylon | 4 mm (0.16 in) | 60 mm (2.36 in) | D4A-F00 |

REPLACEMENT PARTS

Building a Part Number

The D4A-N family of switches features plug-in construction with interchangeable parts for simplified long-term maintenance. The illustration at right shows the parts that make up a whole switch, as well as how to read a part number as the sum of its parts.

Note: Compatibility of D4A-N parts with Omron's former D4A series is limited to interchangeable **receptacles** only. D4A switch bodies and operating heads cannot be used to replace similar D4A-N parts.



D4A-1101N = D4A-1000N + D4A-0100N + D4A-0001N + D4A-A00 or WL-1A200 (ordered separately)

Receptacles

| Description | Part number |
|---|-------------|
| SPDT double break | D4A-1000N |
| DPDT double break, also used for sequential operation and center neutral operation switches | D4A-2000N |

Switch Bodies

Omron offers two economical solutions for long-term maintenance of D4A-N limit switches. Choose a complete switch body with a built-in switch, or just replace the internal switch by removing the two screws holding it in place.

| Description | Indicator type | Body with built-in switch | Internal switch only |
|-------------------------------------|----------------------------|---------------------------|----------------------|
| SPDT double break | No indicator | D4A-0100N | D4A-S10N |
| | Neon lamp indicator | D4A-0300N | — |
| | LED indicator, 6 A, 24 VDC | D4A-0E00N | — |
| DPDT double break | No indicator | D4A-0500N | D4A-S50N |
| Sequential operating type, DPDT | No indicator | D4A-0700N | D4A-S70N |
| Center neutral operating type, DPDT | No indicator | D4A-0900N | D4A-S90N |

Operating Heads

For side rotary operating heads listed below, be sure to order an actuator lever from the large selection of D4A and WL parts listed on the second page of this data sheet.

| Description | Part number |
|---------------------------------------|-------------|
| Standard side rotary | D4A-0001N |
| High precision side rotary | D4A-0002N |
| Low torque side rotary | D4A-0003N |
| High precision/low torque side rotary | D4A-0004N |
| Maintained contact side rotary | D4A-0005N |
| Sequential operating side rotary | D4A-0017N |
| Center neutral operating side rotary | D4A-0018N |

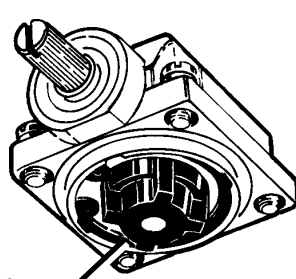
| Description | Part number |
|--------------------------------|-------------|
| Plain side plunger | D4A-0006N |
| Vertical side roller plunger | D4A-0007-VN |
| Horizontal side roller plunger | D4A-0007-HN |
| Adjustable side plunger | D4A-0008N |
| Plain top plunger | D4A-0009N |
| Top roller plunger | D4A-0010N |
| Adjustable top plunger | D4A-0011N |

| Description | Part number |
|----------------------------------|-------------|
| Spring wire wobble lever | D4A-0012N |
| Plastic rod wobble lever | D4A-0014N |
| Stainless steel rod wobble lever | D4A-0024N |
| Cat whisker wobble lever | D4A-0015N |
| Coil spring wobble lever | D4A-0016N |

Construction

Head

Side rotary type and side plunger types may be positioned and locked at any of four 90° positions.



Operation Direction Selector

Side rotary heads convert to clockwise, counterclockwise or operation in both ways in seconds.

Axis Bearing

Copper alloy material assures long life.

Double Sealed Rugged Shaft

Sealed with an oil seal and X-ring of nitrile butadiene rubber (NBR). Shaft withstands heavy loads, impacts to 180 kg (396 lbs)

Receptacle Box

Easy to wire with convenient plug-in construction. Made of rugged diecast aluminum.

Long-Life Built-In Switch

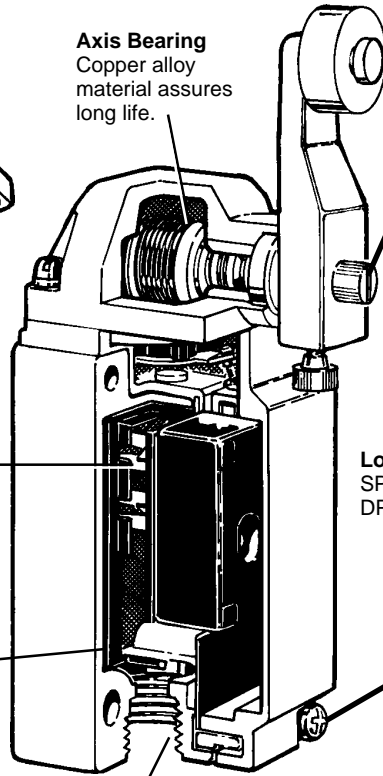
SPDT double break: 50 million operations
DPDT double break: 30 million operations

Body Seal

Fully gasketed to seal body to receptacle.

Switch Front Mounting Screws

Captive screws are used to prevent screws from getting lost.



Conduit Entrance
1/2-14 NPT

Specifications

■ ELECTRICAL RATINGS

NEMA A600 Rating (UL/CSA)

| Circuit | Rated voltage | Amperes | | Continuous carrying current | Voltamperes | |
|-------------------|---------------|---------|-------|-----------------------------|-------------|-------|
| | | Make | Break | | Make | Break |
| SPDT double break | 120 VAC | 60 | 6 | 10 | 7200 | 720 |
| | 240 VAC | 30 | 3 | 10 | 7200 | 720 |
| | 480 VAC | 15 | 1.5 | 10 | 7200 | 720 |
| | 600 VAC | 12 | 1.2 | 10 | 7200 | 720 |

NEMA B600 Rating (UL/CSA)

| Circuit | Rated voltage | Amperes | | Continuous carrying current | Voltamperes | |
|-------------------|---------------|---------|-------|-----------------------------|-------------|-------|
| | | Make | Break | | Make | Break |
| DPDT double break | 120 VAC | 30 | 3 | 5 | 3600 | 360 |
| | 240 VAC | 15 | 1.5 | 5 | 3600 | 360 |
| | 480 VAC | 7.5 | 0.75 | 5 | 3600 | 360 |
| | 600 VAC | 6 | 0.6 | 5 | 3600 | 360 |

NEMA A300 Rating (UL/CSA) for SPDT switches with neon lamp indicators

| Circuit | Rated voltage | Amperes | | Continuous carrying current | Voltamperes | |
|-------------------|---------------|---------|-------|-----------------------------|-------------|-------|
| | | Make | Break | | Make | Break |
| SPDT double break | 120 VAC | 60 | 6 | 10 | 7200 | 720 |
| | 240 VAC | 30 | 3 | 10 | 7200 | 720 |

Note: All switches must be the same polarity.

SPDT switches with LED indicators

| Circuit | Rated voltage | Load current |
|-------------------|---------------|----------------------|
| SPDT double break | 24 VDC | 6 A max. (resistive) |

■ CHARACTERISTICS

| | | |
|-------------------------------|------------------------|--|
| Enclosure rating | UL | Types 3, 4, 4X, 6P, 13 |
| | NEMA | Types 1, 2, 3, 4, 4X, 5, 6, 6P, 12 and 13 |
| | IEC 144 | IP67 |
| Mechanical life | | 50 million operations for SPDT; 30 million operations for DPDT |
| Ambient operating temperature | | -40° to 100°C (-40° to 212°F) for side rotary types (except low torque types) -20° to 100°C (-4° to 212°F) for plunger and wobble lever types -10° to 80°C (14° to 176°F) for indicator equipped types -10° to 120°C (14° to 248°F) for Viton sealed type |
| Vibration | Malfunction durability | 10 to 55 Hz, 1.5 mm (0.06 in) double amplitude |
| | Shock | 60 G for SPDT side rotary types; 30 G for all others |
| Shock | Malfunction durability | 60 G for SPDT side rotary types; 30 G for all others |
| | Mechanical durability | 100 G |

■ OPERATING CHARACTERISTICS

Legend: OF = Operating Force (max.); RF = Reset Force (min.); OT = Overtravel (min.); PT = Pretravel;
MD = Movement Differential (max.); PO = Positively Open (max.); TT = Total Travel; OP = Operating Position

Side Rotary Switches

| Part number | Description | OF max. | RF min. | PT max. | OT min. | MD max. | | OP |
|-------------|---|------------------------|--------------------------|---|---------|------------------|---------|----|
| | | | | | | SPDT | DPDT | |
| D4A-□□01N | Standard | 4 kg-cm (3.5 lb-in) | 0.5 kg-cm (0.4 lb-in) | 12° ±3° | 70° | 4° ±1° | 5° ±2° | — |
| D4A-□□02N | High-precision | 4 kg-cm (3.5 lb-in) | 0.5 kg-cm (0.4 lb-in) | 5° ±2° | 75° | 3° ±1° | 4° ±1° | — |
| D4A-□□03N | Side rotary, low torque | 2 kg-cm (1.7 lb-in) | — | 12° ±3° | 70° | 4° ±1° | 5° ±2° | — |
| D4A-□□04N | Side rotary, high-precision /low torque | 2 kg-cm (1.7 lb-in) | — | 5° ±2° | 75° | 3° ±2° | 4° ±2° | — |
| D4A-□□05N | Side rotary, maintained contact | 4 kg-cm (3.5 lb-in) | — | 55° ±10° | 20° | 28° ±7° | 28° ±7° | — |
| D4A-□□17N | Side rotary, sequential operation | 4 kg-cm (3.5 lb-in) | 0.5 kg-cm (0.4 lb-in) | 1st pole 7° ±3° 2nd pole 15° ±3° | 65° | Each pole 4° ±2° | | — |
| D4A-□□18N | Side rotary, center neutral operation | 4 kg-cm (3.5 lb-in) | 0.2 kg-cm (0.2 lb-in) | 15° ±3° | 65° | 4° ±1° | — | — |

Note: The operating position depends on the lever selected.

Switches with Built-in Actuators

| Part number | Description | OF max. | RF min. | OT min. | PT max. | MD max. | | OP |
|-------------|-------------------------|----------------------|---------------------|----------------------|----------------------|----------------------|----------------------|------------------------------------|
| | | | | | | SPDT | DPDT | |
| D4A-□□06N | Plain side plunger | 2 kg (70.5 oz.) | 500 g (17.6 oz.) | 5.1 mm (0.201 in) | 2.4 mm (0.094 in) | 0.6 mm (0.024 in) | 1.0 mm (0.039 in) | 34 ±0.8 mm (1.34 ±0.03 in) |
| D4A-□□07N | Roller side plunger | 2 kg (70.5 oz.) | 500 g (17.6 oz.) | 5.1 mm (0.201 in) | 2.4 mm (0.094 in) | 0.6 mm (0.024 in) | 1.0 mm (0.039 in) | 44 ±0.8 mm (1.73 ±0.03 in) |
| D4A-□□08N | Adjustable side plunger | 2 kg (70.5 oz.) | 500 g (17.6 oz.) | 5.1 mm (0.201 in) | 2.4 mm (0.094 in) | 0.6 mm (0.024 in) | 1.0 mm (0.039 in) | 41 to 47.5 mm (1.61 to 1.87 in) |
| D4A-□□09N | Plain top plunger | 1.8 kg (63.5 oz.) | 500 g (17.6 oz.) | 5.1 mm (0.201 in) | 1.6 mm (0.063 in) | 0.4 mm (0.016 in) | 1.0 mm (0.039 in) | 46 ±0.8 mm (1.81 ±0.03 in) |
| D4A-□□10N | Roller top plunger | 1.8 kg (63.5 oz.) | 500 g (17.6 oz.) | 5.1 mm (0.201 in) | 1.6 mm (0.063 in) | 0.4 mm (0.016 in) | 1.0 mm (0.039 in) | 56 ±0.8 mm (2.20 ±0.03 in) |

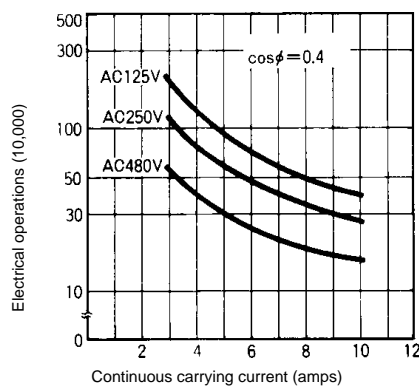
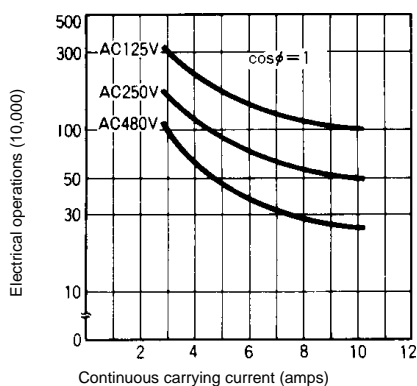
Switches with Built-in Actuators (continued)

| Part number | Description | OF max. | RF min. | OT min. | PT max. | MD max. | | OP |
|-------------|--------------------------|-------------------|------------------|-------------------|-------------------------|-------------------|-------------------|---------------------------------|
| | | | | | | SPDT | DPDT | |
| D4A-□□11N | Adjustable top plunger | 1.8 kg (63.5 oz.) | 500 g (17.6 oz.) | 5.1 mm (0.201 in) | 1.6 mm (0.063 in) | 0.4 mm (0.016 in) | 1.0 mm (0.039 in) | 55.5 to 62 mm (2.19 to 2.44 in) |
| D4A-□□12N | Spring wire wobble lever | 100 g (3.5 oz.) | — | — | 5° ± 3°, 3.94 in radius | — | — | — |
| D4A-□□14N | Plastic rod wobble lever | 150 g (5.3 oz.) | — | — | 5° ± 3°, 1.38 in radius | — | — | — |
| D4A-□□15N | Cat whisker wobble lever | 150 g (5.3 oz.) | — | — | 5° ± 3°, 1.97 in radius | — | — | — |
| D4A-□□16N | Coil spring wobble lever | 150 g (5.3 oz.) | — | — | 5° ± 3°, 1.97 in radius | — | — | — |

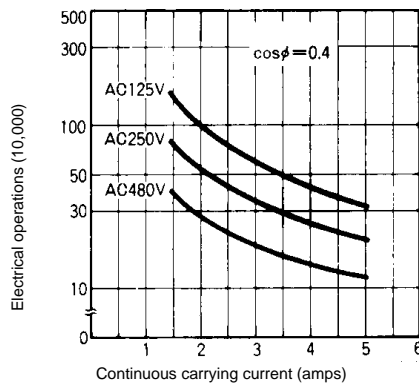
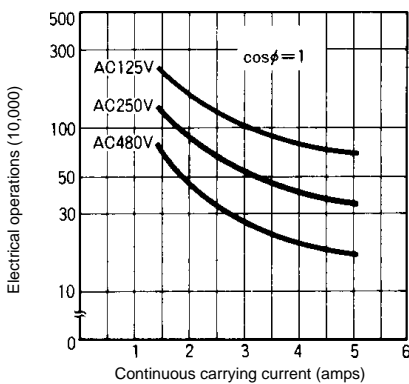
Engineering Data

Electrical Service Life

D4A-1□□□N SPDT Double Break



D4A-2□□□N DPDT Double Break



■ CONTACT RATINGS

NEMA A600 for SPDT models
 NEMA B600 for DPDT models
 NEMA A300 for SPDT models with neon lamp status indicator

■ CONTACT RESISTANCE

25 mΩ maximum (initial)

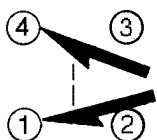
■ ELECTRICAL APPROVALS

UL Recognized, File No. E76675
 CSA Certified, File No. LR45746

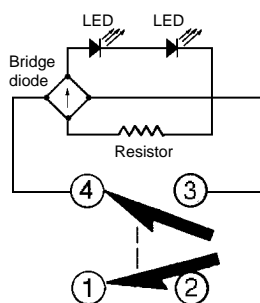
Operation

■ CONTACT FORM

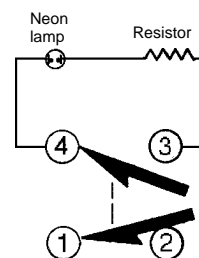
SPDT Double Break with same polarity



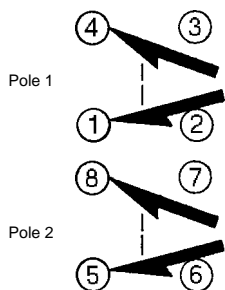
SPDT Double Break with LED Indicator



SPDT Double Break with Neon Lamp Indicator

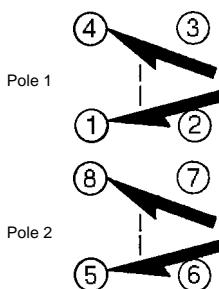


DPDT Double Break with same polarity each pole



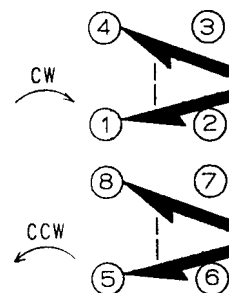
Sequential Operating Type

Pole 1 operates first
 Pole 2 operates second
 Either CW or CCW or both

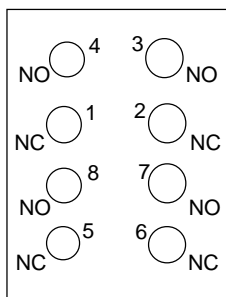


Center Neutral Operating Type

Pole 1 operates CW
 Pole 2 operates CCW



■ TERMINAL ARRANGEMENT

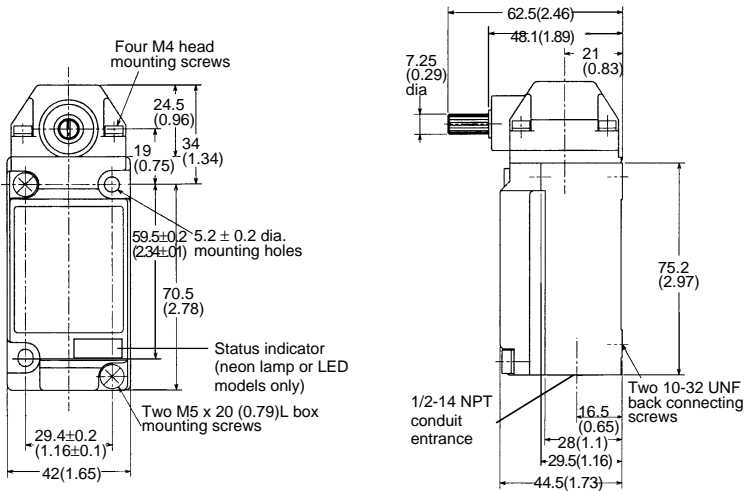


Dimensions

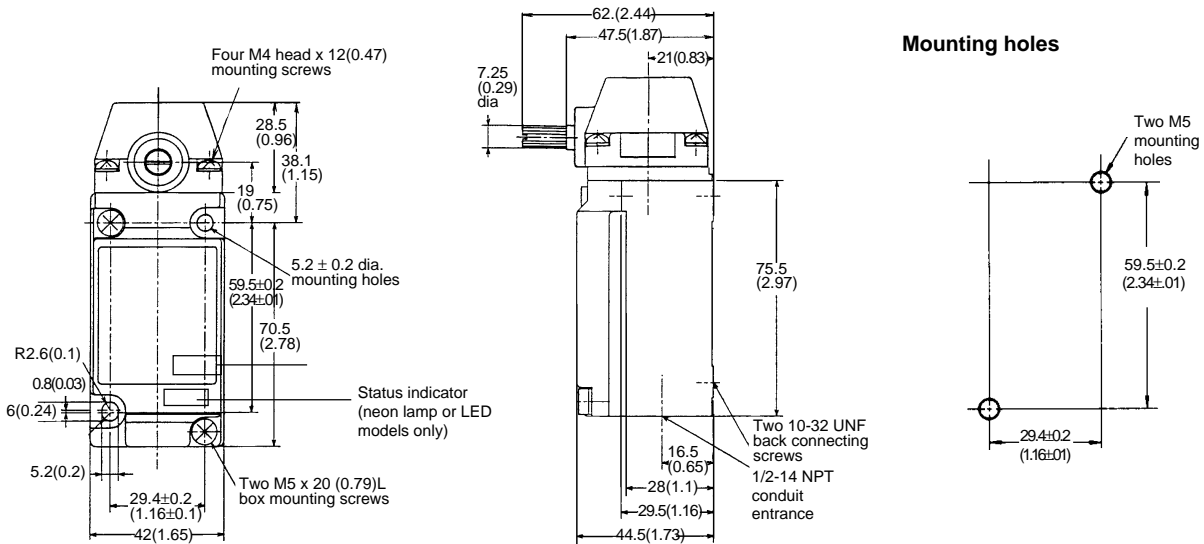
Unit: mm (inch)

■ SIDE ROTARY SWITCHES

D4A-□□01N, D4A-□□02N, D4A-□□03N, D4A-□□04N, D4A-□□17N, D4A-□□18N

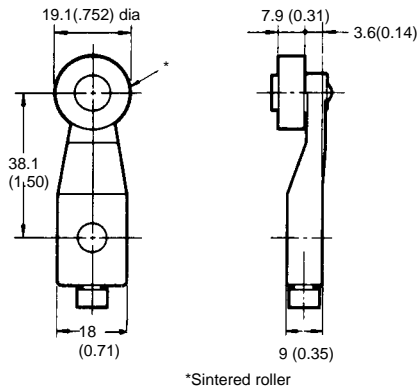


D4A-□□05N



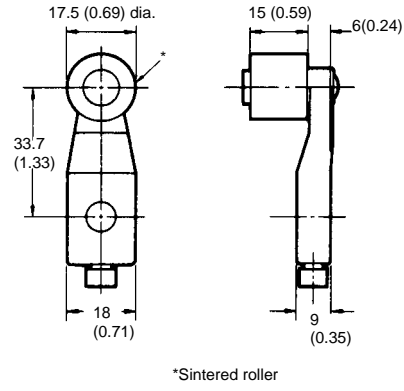
LEVERS FOR SIDE ROTARY SWITCHES

D4A-A00 Standard Roller



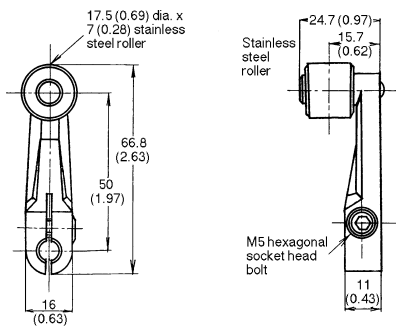
*Sintered roller

D4A-B06 Standard Roller



*Sintered roller

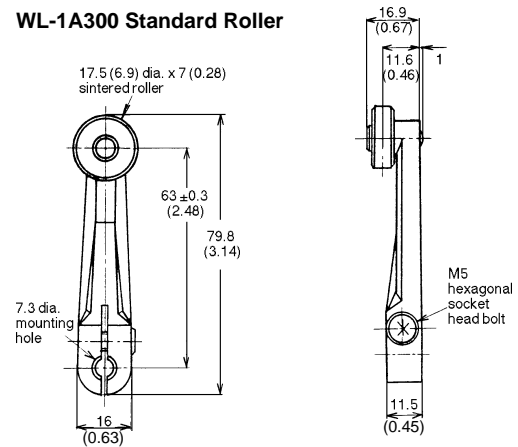
WL-1A200 Standard Roller



Stainless steel roller

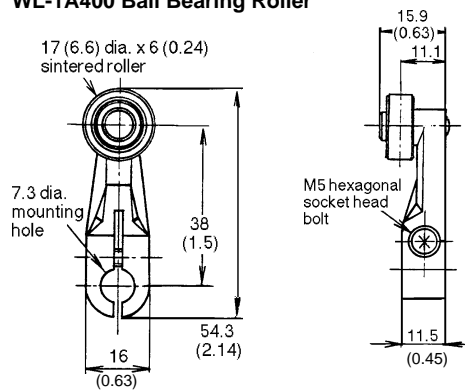
M5 hexagonal socket head bolt

WL-1A300 Standard Roller



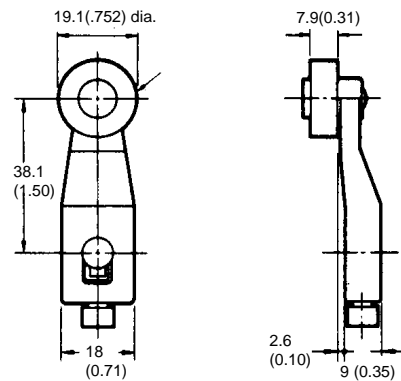
M5 hexagonal socket head bolt

WL-1A400 Ball Bearing Roller

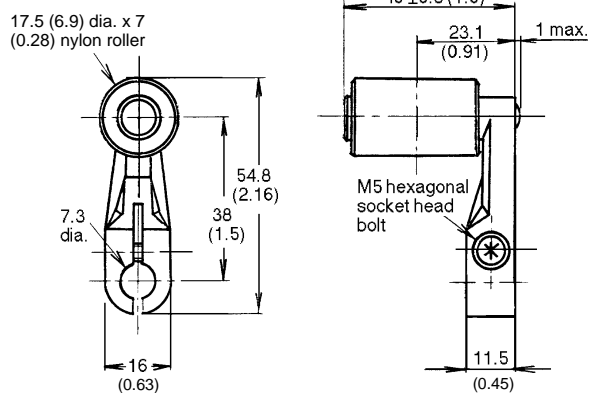


M5 hexagonal socket head bolt

D4A-A10 Back Mount Standard Roller

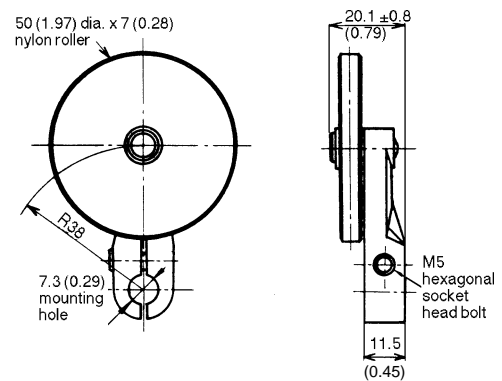


WL-1A104 Nylon Roller



M5 hexagonal socket head bolt

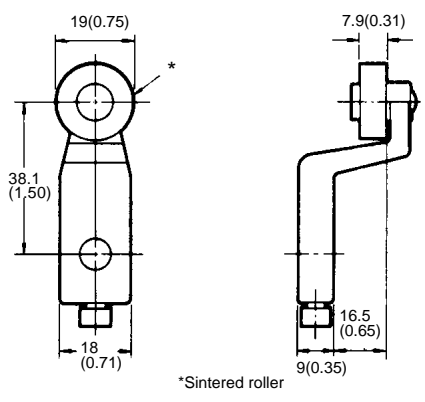
WL-1A106 Nylon Back Mount Roller



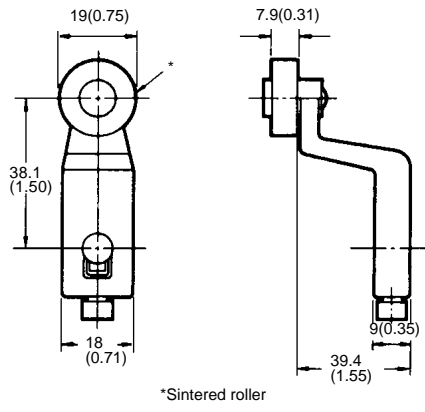
M5 hexagonal socket head bolt

Unit: mm (inch)

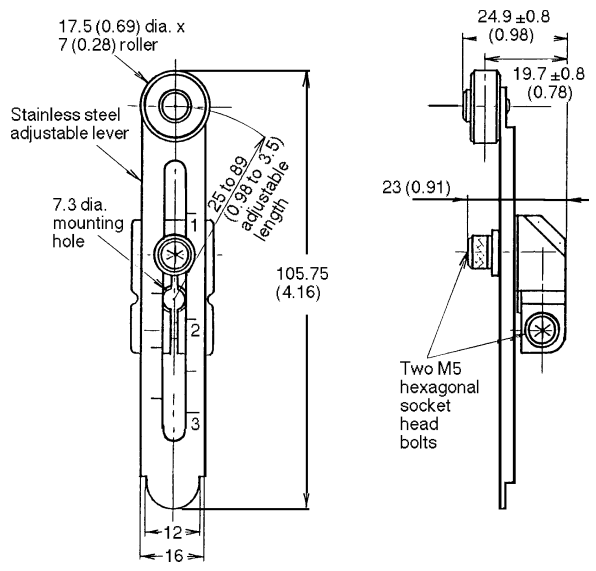
D4A-A20 Front Mounted Offset Roller



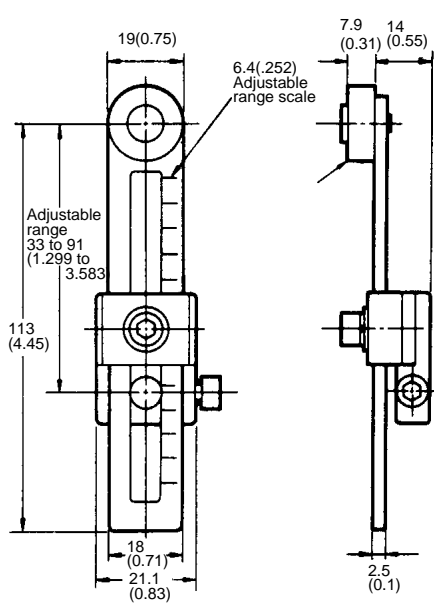
D4A-A30 Back Mounted Offset Roller



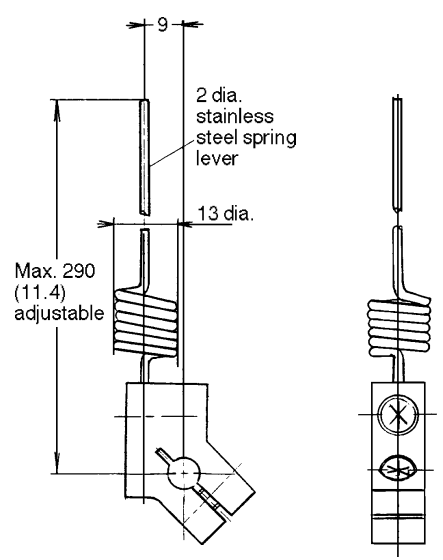
WL-2A111 Adjustable Nylon Roller



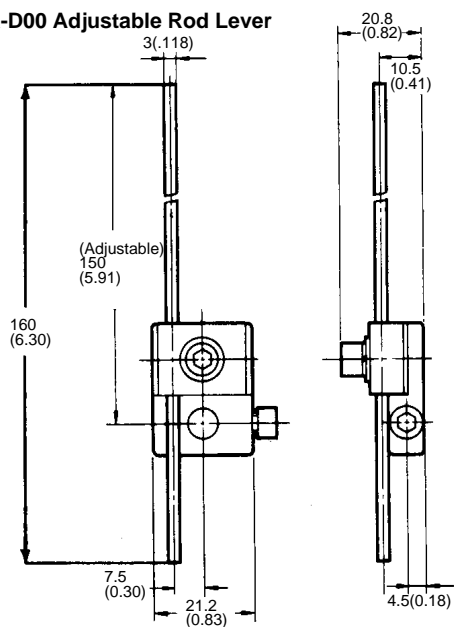
D4A-C00 Adjustable Stainless Steel Roller



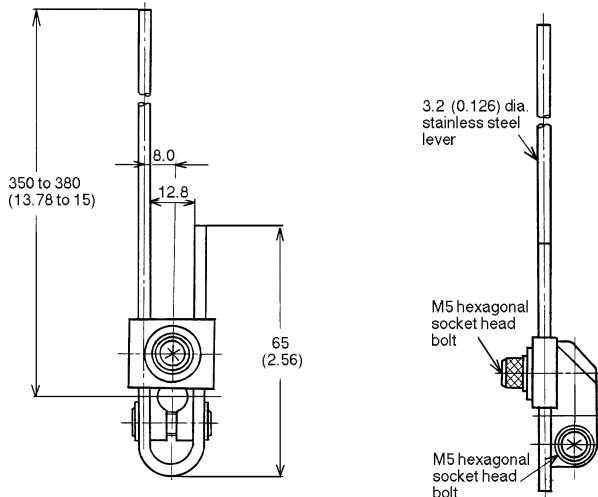
WL-4A201 Spring Rod Lever



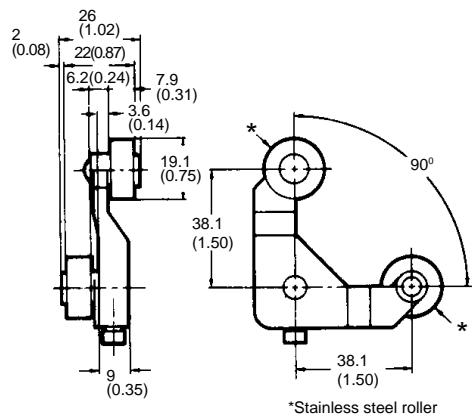
D4A-D00 Adjustable Rod Lever



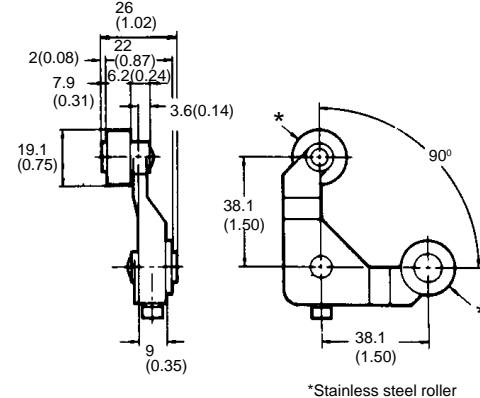
WL-3A100 Adjustable Rod Lever



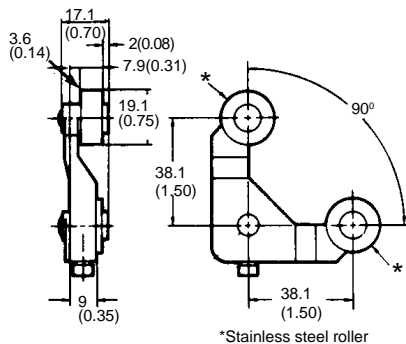
**D4A-E00 Fork Roller Lever
(Left roller front/Right roller back)**



**D4A-E10 Fork Roller Lever
(Left roller back/Right roller front)**

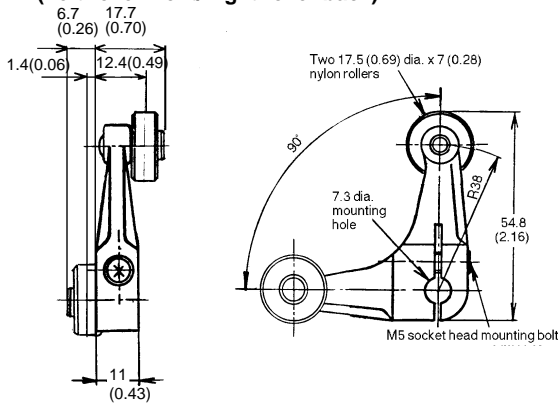


**D4A-E20 Fork Roller Lever
(Both rollers on front)**

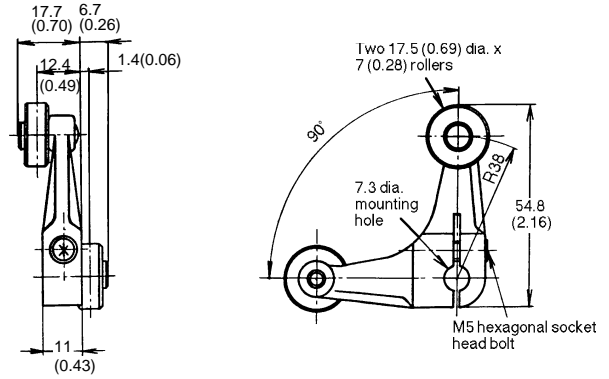


Unit: mm (inch)

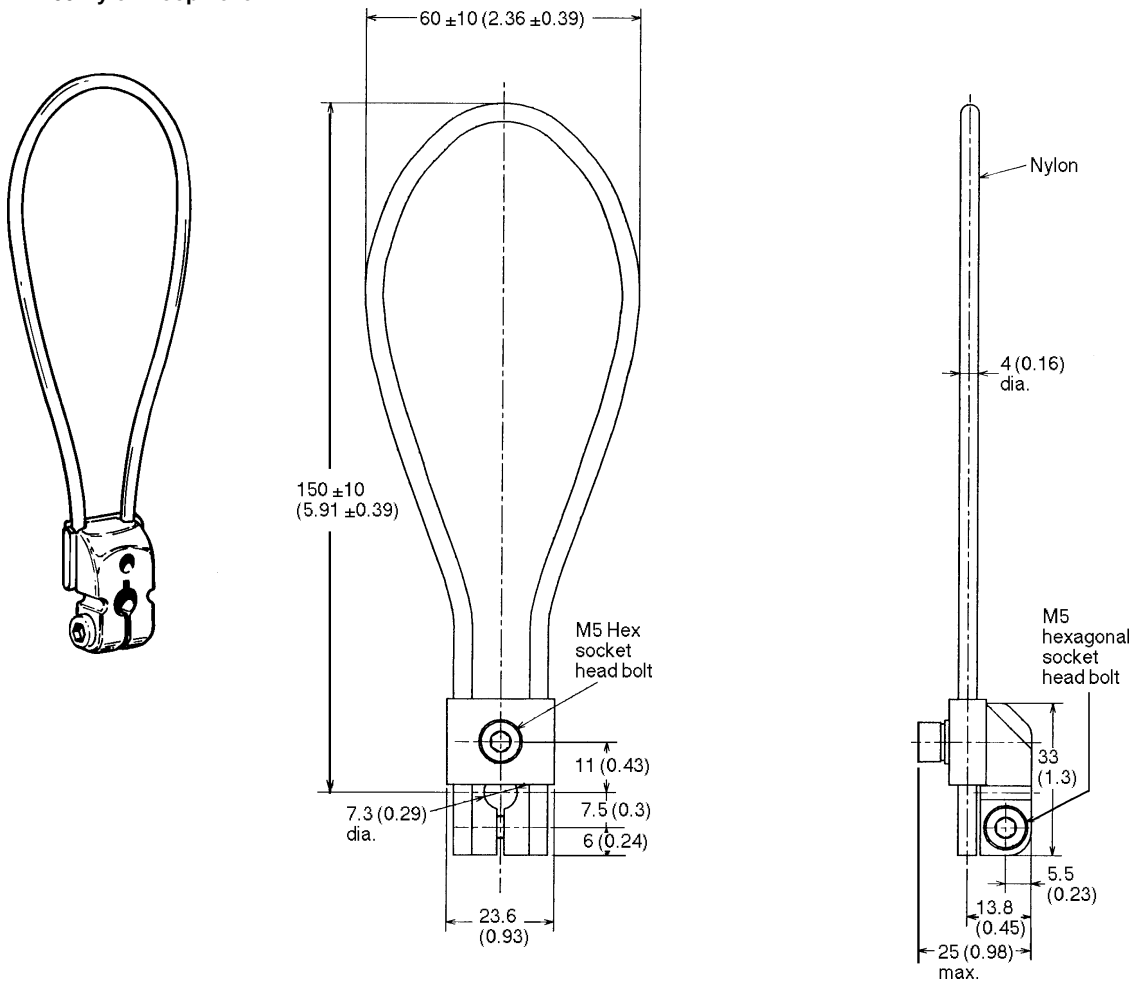
WL-5A100 Nylon Fork Roller Lever
(Left roller front/Right roller back)



WL-5A102 Nylon Fork Roller Lever
(Left roller back/Right roller front)

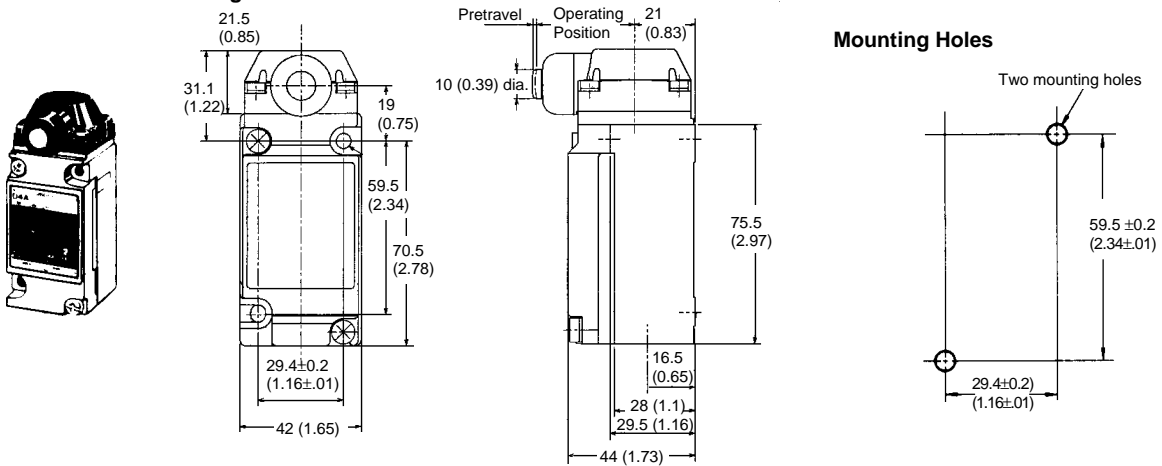


D4A-F00 Nylon Loop Lever

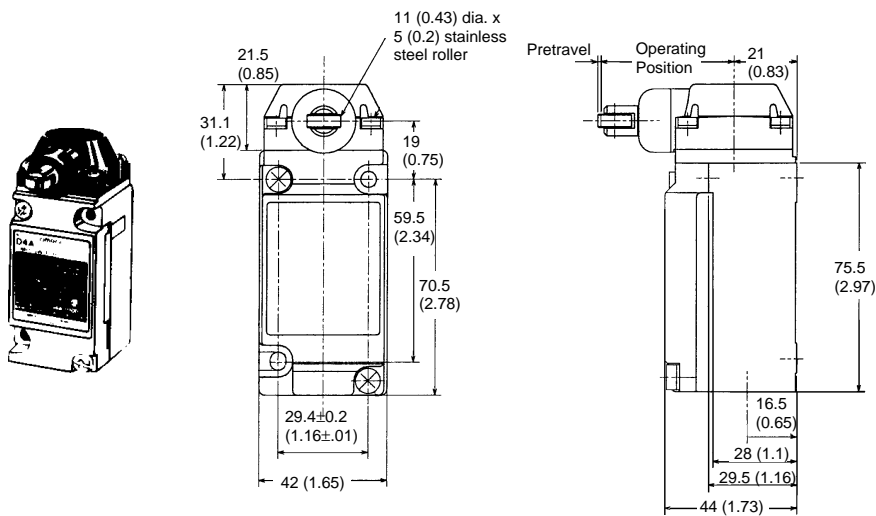


■ SWITCHES WITH BUILT-IN ACTUATORS

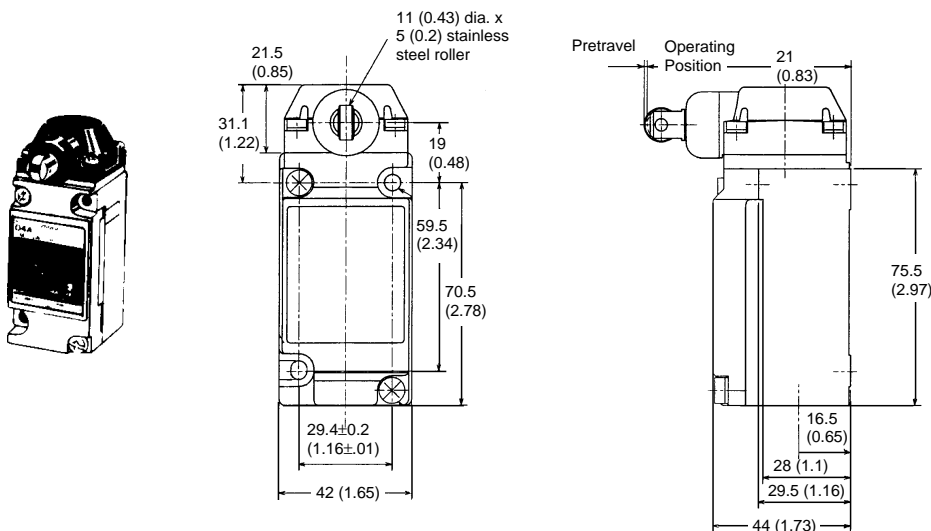
D4A-□□06N Plain Side Plunger Switch



D4A-□□07-HN Horizontal Roller Side Plunger Switch

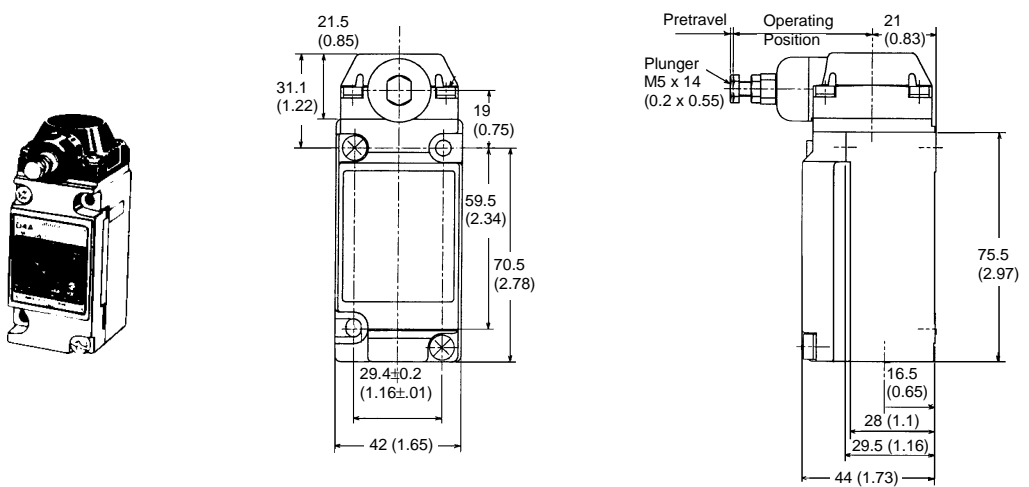


D4A-□□07-VN Vertical Roller Side Plunger Switch

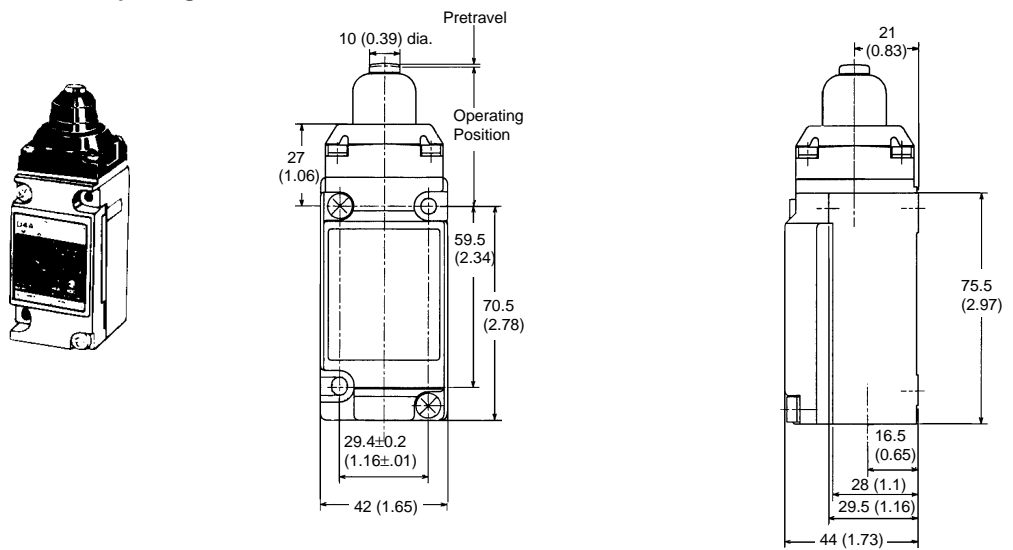


Unit: mm (inch)

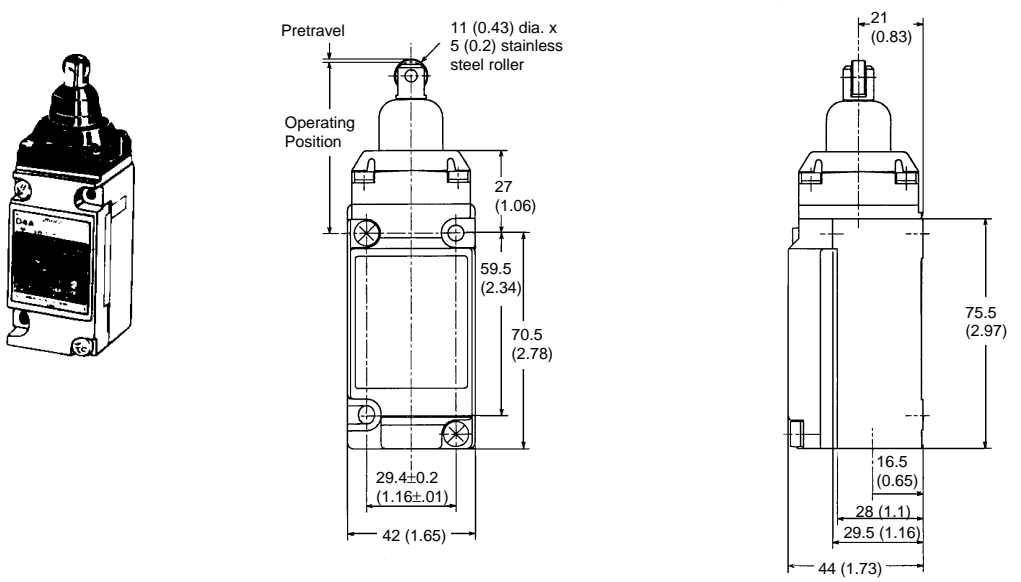
D4A-□□08N Adjustable Side Plunger Switch



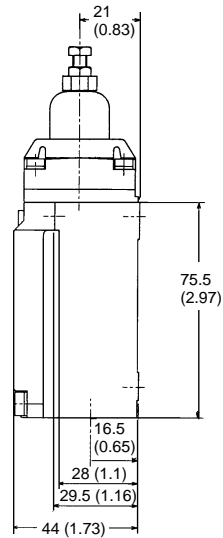
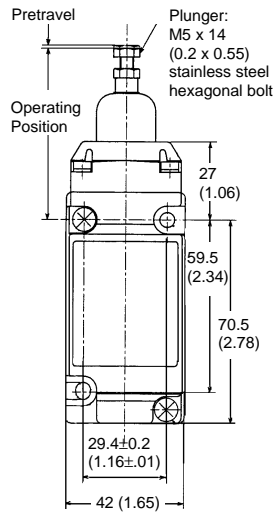
D4A-□□09N Plain Top Plunger Switch



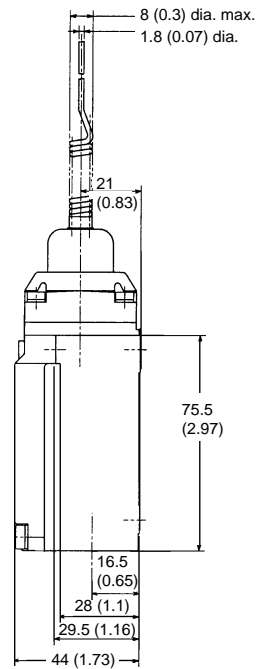
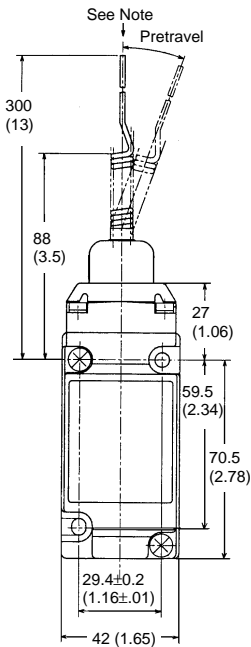
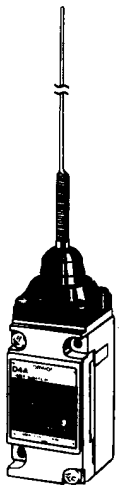
D4A-□□10N Roller Top Plunger Switch



D4A-□□11N Adjustable Top Plunger Switch

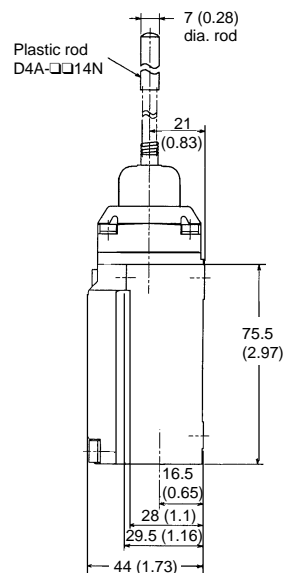
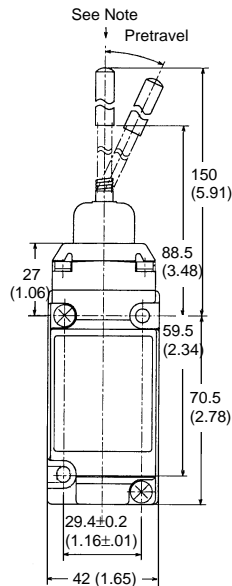
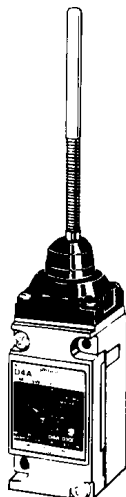


D4A-□□12N Spring Wire Wobble Lever Switch



Note:
The coil spring may be operated from any direction except axial direction (↓).

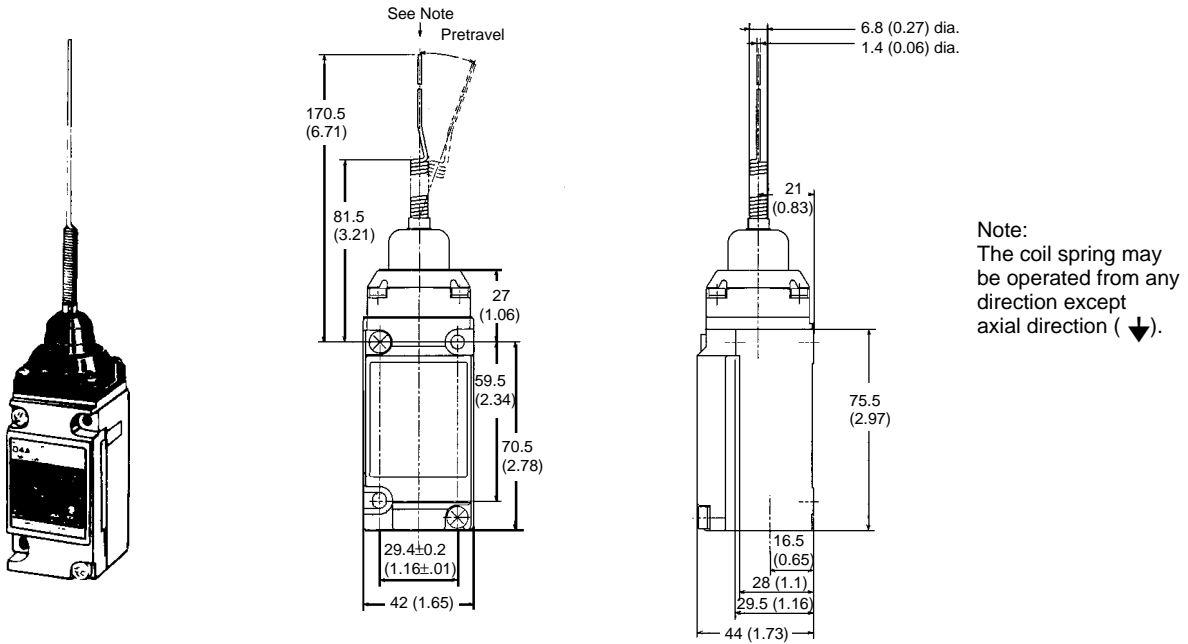
D4A-□□14N Plastic Rod, D4A-□□24N Stainless Steel Spring, Plastic Rod Wobble Lever Switch



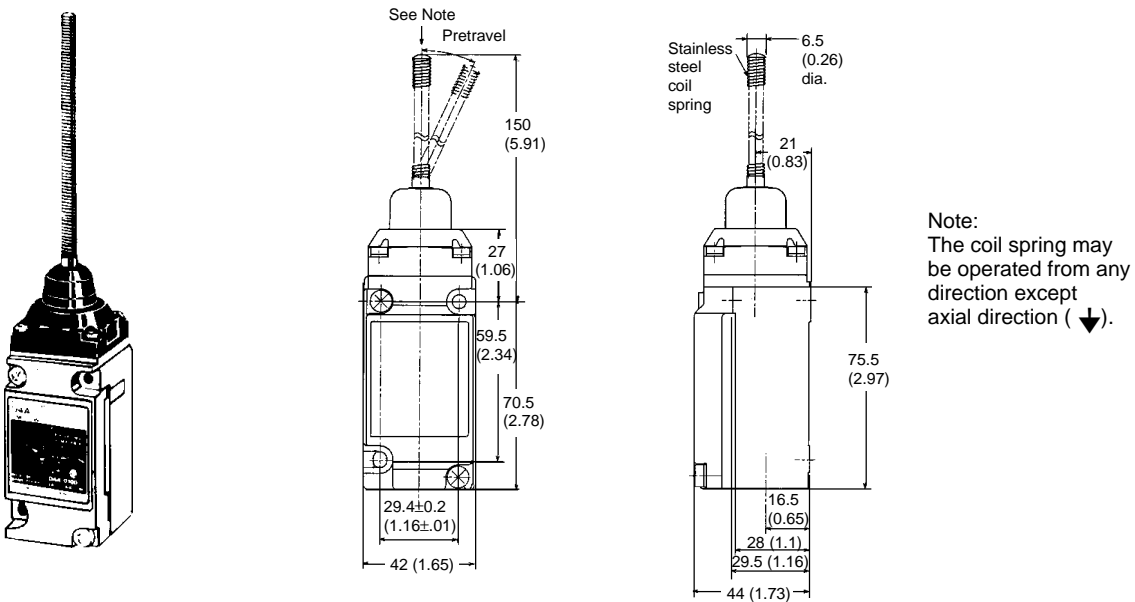
Note:
The coil spring may be operated from any direction except axial direction (↓).

Unit: mm (inch)

D4A-□□15N Cat Whisker Wobble Lever Switch



D4A-□□16N Coil Spring Wobble Lever Switch



Options

■ VITON® SEALS

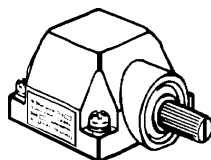
Model D4A-N switches are supplied with nitrile butadiene rubber (NBR) seals as standard. Optional Viton® fluoroelastomer seals are available for applications where the environment has ambient temperatures to 120°C (248°F) or requires increased chemical resistance. Viton seals resist such industrial fluids as Cellulube, Fyrquell, Houghto-Safe, Pydraul and other special cutting and hydraulic oils.

Viton—Reg. TM E.I. DuPont de Nemours & Co.

Installation

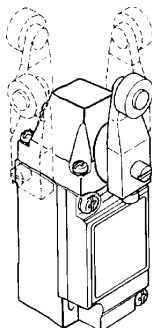
■ CHANGING ACTUATOR AND LEVER ORIENTATION

Operating heads of rotary actuator switches may be positioned and secured in any of four 90° positions to meet applications needs. Loosen the four screws on the switch head using a flat-blade or Phillips screwdriver. Lift the head and turn it to the desired 90° position. Tighten the screws when done.

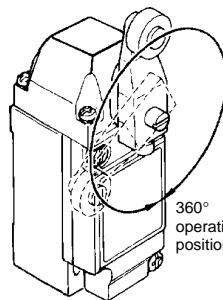


Four M4 x 12

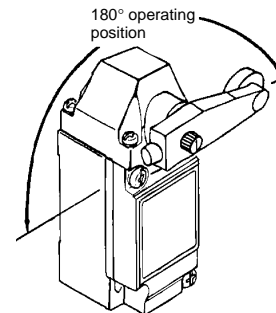
The lever for rotary actuator switches may be positioned anywhere in 360° around the shaft.



Head rotates to any of four 90° positions



360° operating position

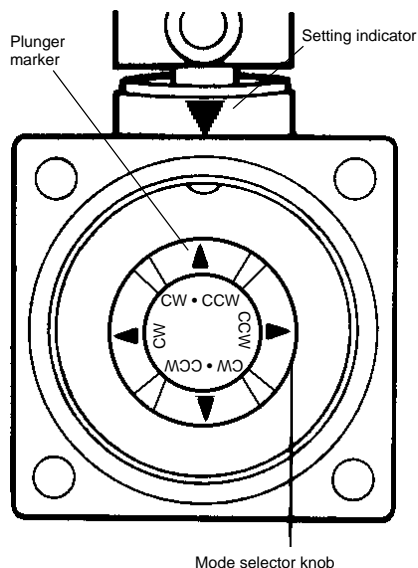


180° operating position

■ SELECTING OPERATING DIRECTION

Rotary actuator switches can be set for clockwise 90° operation (CW) on the right side, counterclockwise 90° operation (CCW) on the left side, or both ways for 90° operation on either the left or right side (CW+CCW).

To change the operating direction, loosen the four screws on the switch head using a flat-blade or Phillips screwdriver. Lift off the head. The mode selector knob is inside the head as shown at right. The plunger marker inside is set for both ways operation (CW+CCW). Turn the knob to the desired operation setting. Replace the head in the direction suitable for the installation and tighten the four screws.



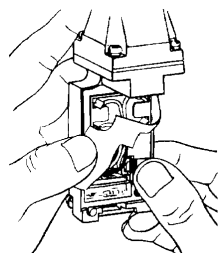
■ CHANGING STATUS INDICATOR TO MATCH SWITCH CONTACTS

Switches with LED or neon lamp status indicators are set to Normally Open at the factory. The indication can be changed to Normally Closed following these simple instructions.

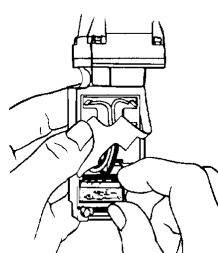
1. Loosen the front panel screws and remove the switch body from the receptacle.
2. Lift the rubber sealing material to reveal the indicator unit.
3. Remove the indicator unit.
4. Turn the indicator unit over and replace it so the desired message appears in the window.
5. Reassemble the switch body and receptacle.

| Neon lamp indicator messages | | LED indicator messages | |
|------------------------------|--------------------------|----------------------------|--------------------------|
| Normally Closed | Normally Open | Normally Closed | Normally Open |

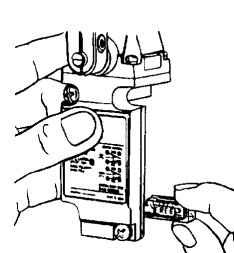
Switch Status Indicator Access



Lift seal



Pull indicator unit



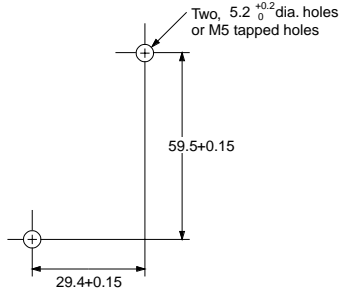
Invert indicator then reinstall

Precautions

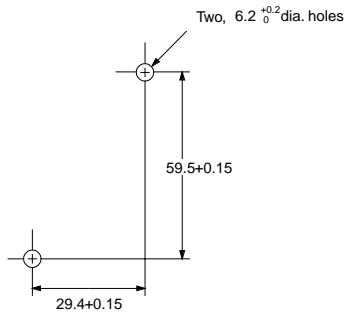
■ MOUNTING

1/2-14NPT Conduit
 D4A-1□□□N, D4A-2□□□N

Front Mounting



Rear Mounting (Rear View)



■ TIGHTENING TORQUE APPLIED TO HEAD AND SWITCH BODY

To maintain the high sealing capability of the limit switch, tighten the screws for the head and switch body with the following torques: Head (four 12 mm M4 screws): 1.2 to 1.4 N (12 to 14 kgf • cm); Switch body (two 20 mm M5 screws): 2.4 to 2.7 N (24 to 28 kgf • cm).

■ SOLDERLESS TERMINALS

The D4A-□N with DPDT double-break incorporates solderless terminals.

■ OPERATING

The operating methods, cam and dog shapes, operating frequency, and overtravel (OT) have a big influence on the life and accuracy of the limit switch. The shape of the cam should be as smooth as possible.

A marginal overtravel (OT) value should be set. The ideal value is the rated OT value x 0.7.

The actuator should not be removed to change the operating position.

■ CONNECTORS

Use SC connectors.

NOTE: DIMENSIONS ARE SHOWN IN MILLIMETERS. To convert millimeters to inches divide by 25.4.

OMRON

OMRON ELECTRONICS, INC.
 One East Commerce Drive
 Schaumburg, IL 60173
1-800-55-OMRON

OMRON CANADA, INC.
 885 Milner Avenue
 Scarborough, Ontario M1B 5V8
416-286-6465

X-ON Electronics

Largest Supplier of Electrical and Electronic Components

Click to view similar products for [Switch Fixings](#) category:

Click to view products by [Omron](#) manufacturer:

Other Similar products are found below :

[893102000](#) [00-5150](#) [LZZ1A](#) [0098.9234](#) [M2PA-5011](#) [630155](#) [635401](#) [6PA113](#) [6PA147-E6](#) [6PA148-E6](#) [6PA32](#) [6PA9](#) [700106](#) [700109](#)
[700303A56](#) [700C1GRY](#) [700C2GRN](#) [704-6001](#) [704.960.9](#) [704.965.2](#) [704.965.6](#) [704.966.0](#) [7089-3](#) [710082-B11](#) [71M1048](#) [757200264](#)
[764300000](#) [MHU35](#) [MHU37](#) [807039-1](#) [825.003.011](#) [825.005.011](#) [825.053.011](#) [825.055.011](#) [826.000.071](#) [827.020.011](#) [827.400.021](#)
[835.900.023](#) [MML52C10C](#) [MML52E10C](#) [MML92HGH](#) [MML93K](#) [84211M02CNNS](#) [84212M02CNNS](#) [84217A8.0LNOS](#) [842.500.011](#)
[843.000.011](#) [843187-000](#) [843487-000](#) [84-901](#)