

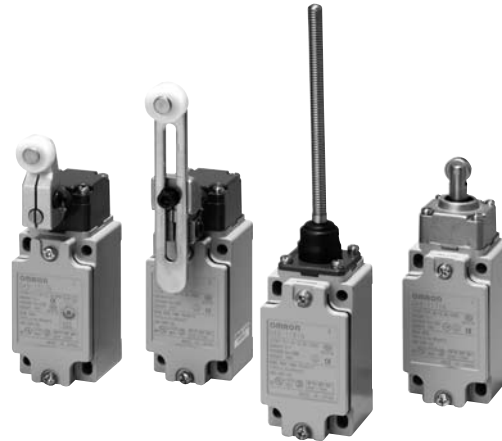
Safety Limit Switch D4B-□□□N

Snap-action contact with certified direct opening operation certification \ominus . Maintenance, seal, and resistance to shock increased and direct opening mechanism added. Three-conduit switches and 2NC switches are also available.

Note: Contact your sales representative for details on models with safety standard certification.



- Direct opening mechanism (NC contacts only) added to enable opening contacts when faults occur, such as fused contacts.
- Safety of lever settings ensured using a mechanism that engages a gear between the operating position indicator plate and the lever.
- Equipped with a mechanism that indicates the applicable operating zone, as well as push-button switching to control left and right motion.
- Head seal structure strengthened to improve seal properties (TÜV: IEC IP67, UL: NEMA 3, 4, 4X, 6P, and 13).
- Wide standard operating temperature range: -40 to 80°C (standard type).
- Models with gold-plated contacts added to the series to enable handling microloads.
- Certified standards: UL, CSA, EN (TÜV), and CCC.



Be sure to read the "Safety Precautions" on page 219 and the "Precautions for All Safety Limit Switches" on page 170.

Model Number Structure

Model Number Legend

D4B-□□□□N

1 2 3

1. Conduit size

- 1: PG13.5 (1-conduit)
- 2: G1/2 (PF1/2) (1-conduit)
- 3: 1/2-14NPT (1-conduit)
- 4: M20 (1 conduit)
- 5: PG13.5 (3-conduit)
- 6: G1/2 (PF1/2) (3-conduit)
- 7: 1/2-14NPT (3-conduit)
- 8: M20 (3-conduit)

2. Built-in Switch

- 1: 1NC/1NO (snap-action)
- 3: 1NC/1NO (snap-action) gold-plated contacts
- 5: 1NC/1NO (slow-action) *
- 6: 1NC/1NO (slow-action) gold-plated contacts *
- A: 2NC (slow-action)
- B: 2NC (slow-action) gold-plated contacts

* Excluding D4B-□□81N and D4B-□□87N models.

3. Actuator

- 00: Switch box (without head)
- 11: Roller lever (resin roller)
- 15: Roller lever (stainless steel roller)
- 1R: Roller lever (conventional D4B-compatible)
- 16: Adjustable roller lever
- 17: Adjustable rod lever
- 70: Top plunger
- 71: Top roller plunger
- 81: Coil spring
- 87: Plastic rod

1

OMRON

Ordering Information





Set Model Numbers

Safety Limit Switches (with Direct Opening Mechanism)

| Actuator | Conduit openings | 1NC/1NO (Snap-action) | | 1NC/1NO (Slow-action) | | 2NC (Slow-action) | |
|--|-----------------------|-----------------------|----------------|-----------------------|----------------|-------------------|----------------|
| | | Model | Direct opening | Model | Direct opening | Model | Direct opening |
| Roller lever (resin roller) | Pg13.5 | D4B-1111N | → | D4B-1511N | → | D4B-1A11N | → |
| | G1/2 (PF1/2) | D4B-2111N | | D4B-2511N | | D4B-2A11N | |
| | 1/2-14NPT | D4B-3111N | | D4B-3511N | | D4B-3A11N | |
| | M20 | D4B-4111N | | D4B-4511N | | D4B-4A11N | |
| | Pg13.5 (3-conduit) | D4B-5111N | | D4B-5511N | | D4B-5A11N | |
| | G1/2 (3-conduit) | D4B-6111N | | D4B-6511N | | D4B-6A11N | |
| | 1/2-14NPT (3-conduit) | D4B-7111N | | D4B-7511N | | D4B-7A11N | |
| | M20 (3-conduit) | D4B-8111N | | D4B-8511N | | D4B-8A11N | |
| Roller lever (stainless steel roller) | Pg13.5 | D4B-1115N | → | D4B-1515N | → | D4B-1A15N | → |
| | G1/2 (PF1/2) | D4B-2115N | | D4B-2515N | | D4B-2A15N | |
| | 1/2-14NPT | D4B-3115N | | D4B-3515N | | D4B-3A15N | |
| | M20 | D4B-4115N | | D4B-4515N | | D4B-4A15N | |
| | Pg13.5 (3-conduit) | D4B-5115N | | D4B-5515N | | D4B-5A15N | |
| Top plunger | Pg13.5 | D4B-1170N | → | D4B-1570N | → | D4B-1A70N | → |
| | G1/2 (PF1/2) | D4B-2170N | | D4B-2570N | | D4B-2A70N | |
| | 1/2-14NPT | D4B-3170N | | D4B-3570N | | D4B-3A70N | |
| | M20 | D4B-4170N | | D4B-4570N | | D4B-4A70N | |
| | Pg13.5 (3-conduit) | D4B-5170N | | D4B-5570N | | D4B-5A70N | |
| | G1/2 (3-conduit) | D4B-6170N | | D4B-6570N | | D4B-6A70N | |
| | 1/2-14NPT (3-conduit) | D4B-7170N | | D4B-7570N | | D4B-7A70N | |
| | M20 (3-conduit) | D4B-8170N | | D4B-8570N | | D4B-8A70N | |
| Top roller plunger | Pg13.5 | D4B-1171N | → | D4B-1571N | → | D4B-1A71N | → |
| | G1/2 (PF1/2) | D4B-2171N | | D4B-2571N | | D4B-2A71N | |
| | 1/2-14NPT | D4B-3171N | | D4B-3571N | | D4B-3A71N | |
| | M20 | D4B-4171N | | D4B-4571N | | D4B-4A71N | |
| | Pg13.5 (3-conduit) | D4B-5171N | | D4B-5571N | | D4B-5A71N | |
| | G1/2 (3-conduit) | D4B-6171N | | D4B-6571N | | D4B-6A71N | |
| | 1/2-14NPT (3-conduit) | D4B-7171N | | D4B-7571N | | D4B-7A71N | |
| | M20 (3-conduit) | D4B-8171N | | D4B-8571N | | D4B-8A71N | |

D4B-□N

General-purpose Limit Switches

| Actuator | Conduit openings | 1NC/1NO (Snap-action) | | 1NC/1NO (Slow-action) | | 2NC (Slow-action) | |
|---|-----------------------|-----------------------|----------------|-----------------------|----------------|-------------------|----------------|
| | | Model | Direct opening | Model | Direct opening | Model | Direct opening |
| Adjustable roller lever  | Pg13.5 | D4B-1116N | --- | D4B-1516N | --- | D4B-1A16N | --- |
| | G1/2 (PF1/2) | D4B-2116N | | D4B-2516N | | D4B-2A16N | |
| | 1/2-14NPT | D4B-3116N | | D4B-3516N | | D4B-3A16N | |
| | Pg13.5 (3-conduit) | D4B-5116N | | D4B-5516N | | D4B-5A16N | |
| | G1/2 (3-conduit) | D4B-6116N | | D4B-6516N | | D4B-6A16N | |
| | 1/2-14NPT (3-conduit) | D4B-7116N | | D4B-7516N | | D4B-7A16N | |
| Adjustable rod lever  | Pg13.5 | D4B-1117N | --- | D4B-1517N | --- | D4B-1A17N | --- |
| | G1/2 (PF1/2) | D4B-2117N | | D4B-2517N | | D4B-2A17N | |
| | 1/2-14NPT | D4B-3117N | | D4B-3517N | | D4B-3A17N | |
| | Pg13.5 (3-conduit) | D4B-5117N | | D4B-5517N | | D4B-5A17N | |
| | G1/2 (3-conduit) | D4B-6117N | | D4B-6517N | | D4B-6A17N | |
| | 1/2-14NPT (3-conduit) | D4B-7117N | | D4B-7517N | | D4B-7A17N | |
| Coil spring (non-directional)  | Pg13.5 | D4B-1181N | --- | --- | --- | D4B-1A81N | --- |
| | G1/2 (PF1/2) | D4B-2181N | | | | D4B-2A81N | |
| | 1/2-14NPT | D4B-3181N | | | | D4B-3A81N | |
| | Pg13.5 (3-conduit) | D4B-5181N | | | | D4B-5A81N | |
| | G1/2 (3-conduit) | D4B-6181N | | | | D4B-6A81N | |
| | 1/2-14NPT (3-conduit) | D4B-7181N | | | | D4B-7A81N | |
| Plastic rod (non-directional)  | Pg13.5 | D4B-1187N | --- | --- | --- | D4B-1A87N | --- |
| | G1/2 (PF1/2) | D4B-2187N | | | | D4B-2A87N | |
| | 1/2-14NPT | D4B-3187N | | | | D4B-3A87N | |
| | Pg13.5 (3-conduit) | D4B-5187N | | | | D4B-5A87N | |
| | G1/2 (3-conduit) | D4B-6187N | | | | D4B-6A87N | |
| | 1/2-14NPT (3-conduit) | D4B-7187N | | | | D4B-7A87N | |

Note: 1. In addition to the above models, models compatible with the previous D4B Switches (with standard rotary levers) are available.
 Model number examples: D4B-1□1RN(Pg13.5) or D4B-2□1RN(PF1/2)
 2. Consult your OMRON representative for products.

D4B-□N

Replacement Parts

Switch Boxes

| Built-in switch | Conduit | 1-conduit type | | | 3-conduit type | | |
|--------------------------|---------|----------------|-----------|-----------|----------------|-----------|-----------|
| | | PG13.5 | G1/2 | 1/2-14NPT | PG13.5 | G1/2 | 1/2-14NPT |
| 1NC/1NO (Snap-action) | → | D4B-1100N | D4B-2100N | D4B-3100N | D4B-5100N | D4B-6100N | D4B-7100N |
| 1NC/1NO (Slow-action) | → | D4B-1500N | D4B-2500N | D4B-3500N | D4B-5500N | D4B-6500N | D4B-7500N |
| 2NC (Slow-action) | → | D4B-1A00N | D4B-2A00N | D4B-3A00N | D4B-5A00N | D4B-6A00N | D4B-7A00N |

Operating Heads

| Actuator | Type | Model |
|---------------|--------------------|-----------|
| Side rotary * | Standard | D4B-0010N |
| Top plunger | Plain | D4B-0070N |
| | Top roller plunger | D4B-0071N |
| Flexible-rod | Coil spring | D4B-0081N |
| | Plastic rod | D4B-0087N |

* The Lever is not included with the Side Rotary Operating Head.

Levers

| Actuator | Length (mm) | Diameter of roller | Model |
|-------------------------------|-------------|--------------------|-----------|
| Standard | 31.5 | 17.5 dia. | D4B-0001N |
| Stainless steel roller lever | 31.5 | 17.5 dia. | D4B-0005N |
| Adjustable roller lever | 25 to 89 | 19 dia. | D4B-0006N |
| Adjustable rod lever | 145 max. | --- | D4B-0007N |
| Interchangeable with D4B-0001 | 33.7 | 19 dia. | D4B-000RN |

Note: Other types of lever are also available.

D4B-□N

Specifications

Standards and EC Directives

Conforms to the following EC Directives:

- Machinery Directive
- Low Voltage Directive
- EN1088
- EN50041

Certified Standards

Snap-action Models

| Certification body | Standard | File No. |
|--------------------|---|------------------|
| TÜV Rheinland | EN60947-5-1 (certified direct opening mechanism) GS-ET-15 | J9851083 → |
| | EN60947-5-1 (uncertified direct opening mechanism) | J50005477 * |
| UL | UL508 | E76675 |
| CSA | C22.2 No. 14 | LR45746 |
| CQC (CCC) | GB14048.5 | 2003010305077612 |

* Adjustable roller lever, adjustable rod lever, coil spring, and plastic rod models only.

Slow-action Models

| Certification body | Standard | File No. |
|--------------------|---|------------------|
| TÜV Rheinland | EN60947-5-1 (certified direct opening mechanism) GS-ET-15 | J9851083 → |
| | EN60947-5-1 (uncertified direct opening mechanism) | J50005477 * |
| UL | UL508 | E76675 |
| CSA | C22.2 No. 14 | LR45746 |
| CQC (CCC) | GB14048.5 | 2003010305077612 |

* Adjustable roller lever, adjustable rod lever, coil spring, and plastic rod models only.

Certified Standard Ratings

TÜV (EN60947-5-1), CCC (GB14048.5)

| Item | Utilization category | AC-15 |
|---|----------------------|-------|
| Rated operating current (I _e) | | 2 A |
| Rated operating voltage (U _e) | | 400 V |

Note: As protection against short-circuiting, use either a gI-type or gG-type 10 A fuse that conforms to IEC60269.

UL/CSA: (UL508, CSA C22.2 No. 14)

A600

| Rated voltage | Carry current | Current (A) | | Volt-amperes (VA) | |
|---------------|---------------|-------------|-------|-------------------|-------|
| | | Make | Break | Make | Break |
| 120 VAC | 10 A | 60 | 6 | 7,200 | 720 |
| 240 VAC | | 30 | 3 | | |
| 480 VAC | | 15 | 1.5 | | |
| 600 VAC | | 12 | 1.2 | | |

Ratings

| Rated voltage (V) | Non-inductive load (A) | | | | Inductive load (A) | | | |
|-------------------|------------------------|----|-----------|-----|--------------------|----|------------|-----|
| | Resistive load | | Lamp load | | Inductive load | | Motor load | |
| | NC | NO | NC | NO | NC | NO | NC | NO |
| 125 VAC | 10 | | 3 | 1.5 | 10 | | 5 | 2.5 |
| 250 | 10 | | 2 | 1 | 10 | | 3 | 1.5 |
| 400 | 10 | | 1.5 | 0.8 | 3 | | 1.5 | 0.8 |
| 8 VDC | 10 | | 6 | 3 | 10 | | 6 | |
| 14 | 10 | | 6 | 3 | 10 | | 6 | |
| 30 | 6 | | 4 | 3 | 6 | | 4 | |
| 125 | 0.8 | | 0.2 | 0.2 | 0.8 | | 0.2 | |
| 250 | 0.4 | | 0.1 | 0.1 | 0.4 | | 0.1 | |

- Note:**
- The above values are continuous currents.
 - Inductive loads have a power factor of 0.4 or higher (AC) or a time constant of 7 ms or lower (DC).
 - Lamp loads have a inrush current of 10 times the normal current.
 - Motor loads have a inrush current of 6 times the normal current.

| | |
|-----------------------|-----------|
| Inrush current | 30 A max. |
|-----------------------|-----------|

Characteristics

| | | |
|--|---|--|
| Degree of protection *1 | IP67 (EN60947-5-1) | |
| Durability *2 | Mechanical | 30,000,000 operations min. (snap-action) 10,000,000 operations min. (slow-action) |
| | Electrical | 500,000 operations min. (10 A resistive load at 250 VAC) |
| Operating speed | 1 mm/s to 0.5 m/s | |
| Operating frequency | Mechanical | 120 operations/minute |
| | Electrical | 30 operations/minute |
| Contact resistance | 25 mΩ max. | |
| Rated insulation voltage (U_i) | 600 V (EN60947-5-1) | |
| Rated frequency | 50/60 Hz | |
| Protection against electric shock | Class I (with ground terminal) | |
| Pollution degree (operating environment) | 3 (EN60947-5-1) | |
| Impulse withstand voltage (EN60947-5-1) | Between terminals of same polarity | 2.5 kV (snap-action)/4 kV (slow-action) |
| | Between terminals of different polarity | 4 kV (slow-action) |
| | Between each terminal and ground | 4 kV |
| Insulation resistance | 100 MΩ min. (at 500 VDC) between terminals of the same polarity and between each terminal and non-current-carrying part | |
| Contact gap | 2 × 2 mm min. (slow-action) 2 × 0.5 mm min. (snap-action) | |
| Vibration resistance | Malfunction | 10 to 55 Hz, 0.75 mm single amplitude |
| Shock resistance | Destruction | 1,000 m/s ² min. |
| | Malfunction | 300 m/s ² min. |
| Conditional short-circuit current | 100 A (EN60947-5-1) | |
| Conventional enclosed thermal current (I_{the}) | 20 A (EN60947-5-1) | |
| Ambient operating temperature | -40 to 80°C (with no icing) *3 | |
| Ambient operating humidity | 95% max. | |
| Weight | Approx. 250 g | |

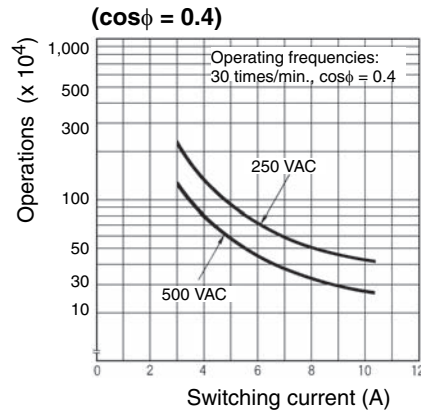
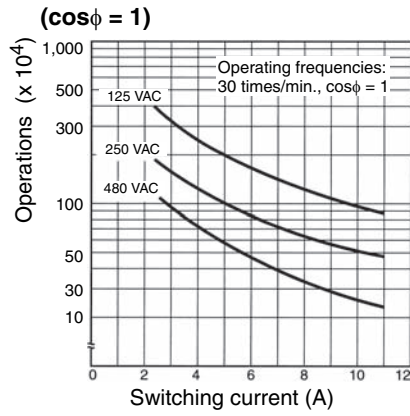
- Note:**
- The above values are initial values.
 - The above values may vary depending on the model. Consult your OMRON sales representative for details.
- *1. The degree of protection is tested using the method specified by the standard (EN60947-5-1). Confirm that sealing properties are sufficient for the operating conditions and environment beforehand.
- *2. The durability is for an ambient temperature of 5 to 35°C and ambient humidity of 40% to 70%. For further conditions, consult your OMRON sales representative.
- *3. -20 to 80°C for the flexible-rod type.

D4B-□N

Engineering Data

Electrical Durability (Snap-action)

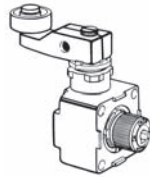
(Ambient temperature: 5 to 30°C, ambient humidity: 40 to 70%)



Structure and Nomenclature

Structure

The roller lever switch employs a system which allows selection of operation on only one side (left or right) or both sides without the use of any tools.

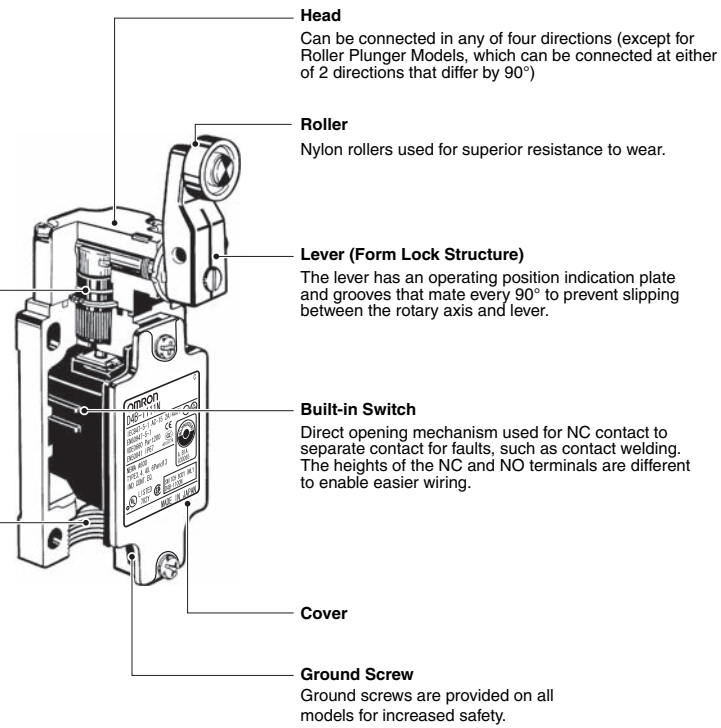


Seal Ring
Sealing properties improved by using a X ring and bearing-free structure.

Conduit Opening
Models are available with a wide range of conduits.

| Size | Box | 1-conduit model | 2-conduit model |
|-----------|-----|-----------------|-----------------|
| Pg13.5 | | Yes | Yes |
| G1/2 | | Yes | Yes |
| 1/2-14NPT | | Yes | Yes |

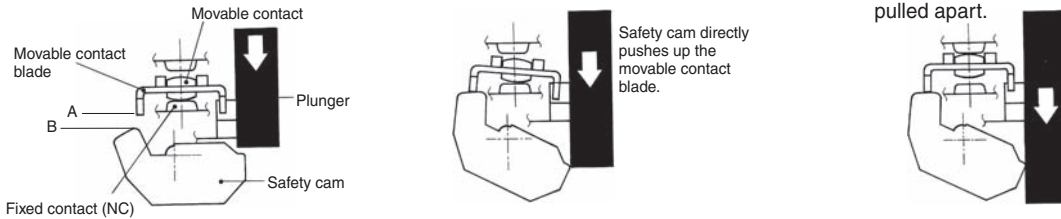
Note: NBR is used for rubber parts.



Direct Opening Mechanism 1NO/1NC Contact (Snap-action)

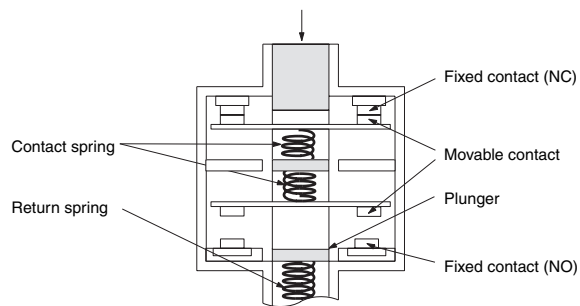
Conforms to EN60947-5-1 Direct Opening (→) (Only NC contact has a direct opening mechanism.)

1. When contact welding occurs.
2. When contacts are being pulled apart.
3. When contacts are completely pulled apart.



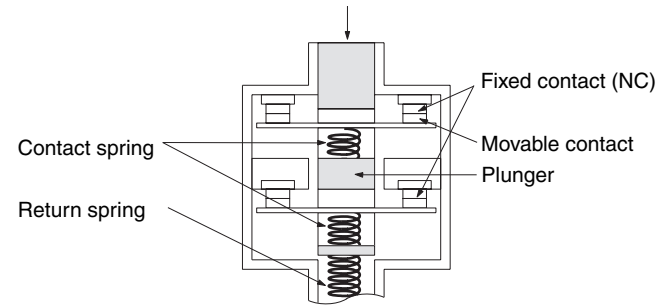
1NC/1NO Contact (Slow-action)

Conforms to EN60947-5-1 Direct Opening (→)
(Only NC contact has a direct opening mechanism.)
When contact welding occurs, the contacts are separated from each other by the plunger being pushed in.



2NC Contact (Slow-action)

Conforms to EN60947-5-1 Direct Opening (→)
(Both NC contacts have a direct opening mechanism.)
When contact welding occurs, the contacts are separated from each other by the plunger being pushed in.



Contact Form

| Model | Contact | Contact form | Diagrams | Explanation |
|----------|-----------------------|--------------|----------|---|
| D4B-□1□N | 1NC/1NO (Snap-action) | | | <p>Only NC contact 11-12 has a certified direct opening mechanism. (→)</p> <p>Terminal numbers 11-12 and 13-14 cannot be used as unlike poles.</p> |
| D4B-□5□N | 1NC/1NO (Slow-action) | | | <p>Only NC contact 11-12 has a certified direct opening mechanism. (→)</p> <p>Terminal numbers 11-12 or 23-24 can be used as unlike poles.</p> |
| D4B-□A□N | 2NC (Slow-action) | | | <p>Both NC contacts 11-12 and 21-22 have a certified direct opening mechanism. (→)</p> <p>Terminal numbers 11-12 and 21-22 can be used as unlike poles.</p> |

Note: Terminal numbers are according to EN50013; contact symbols are according to IEC60947-5-1.

D4B-□N

Dimensions and Operating Characteristics

(Unit: mm)

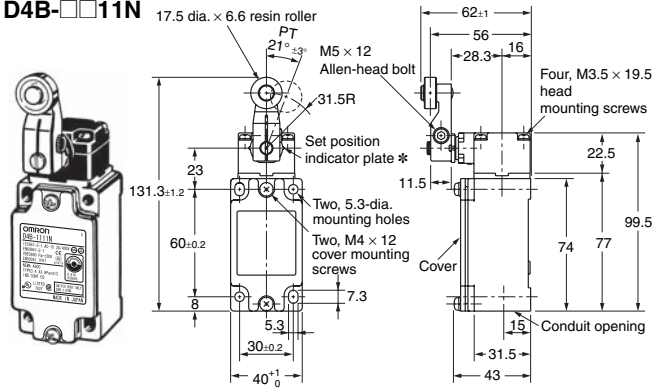
Note: Omitted dimensions are the same as those for the Roller Lever Type Models
 D4B-1□□□N and D4B-5□□□N have a PG13.5 conduit opening.
 D4B-2□□□N and D4B-6□□□N have a G1/2 conduit opening.

opening.
 D4B-3□□□N and D4B-7□□□N have a 1/2-14NPT conduit opening.

Switches

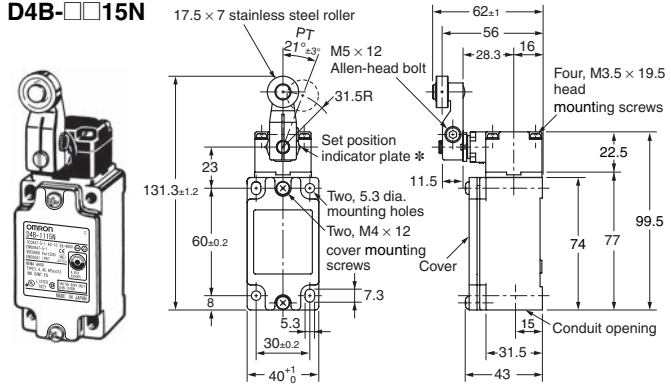
1-conduit Models

Roller Lever D4B-□□11N



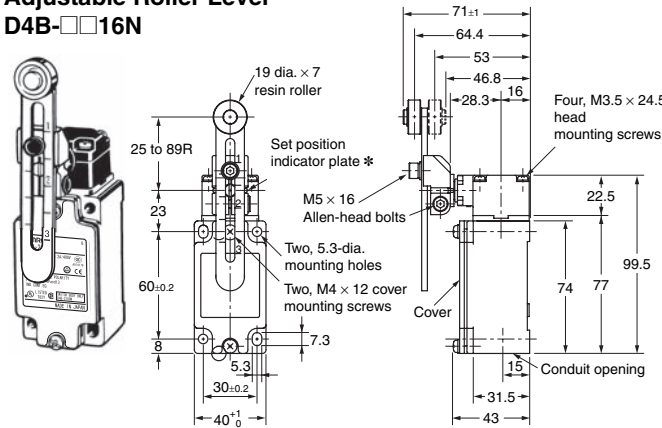
* The lever can be set to any desired position by turning the operating position indicator.

Roller Lever (Stainless Steel Roller) D4B-□□15N



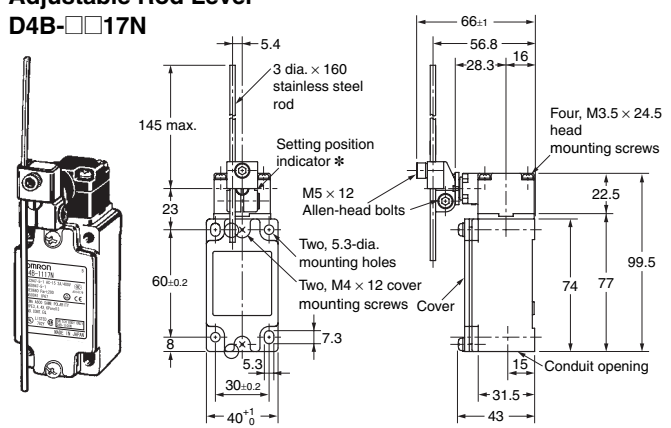
* The lever can be set to any desired position by turning the operating position indicator.

Adjustable Roller Lever D4B-□□16N



* The lever can be set to any desired position by turning the operating position indicator.

Adjustable Rod Lever D4B-□□17N



* The lever can be set to any desired position by turning the operating position indicator.

Note: Unless otherwise specified, a tolerance of ± 0.4 mm applies to all dimensions.

| Operating characteristics | | Model | D4B-□□11N | D4B-□□15N | D4B-□□16N *1 | D4B-□□17N *2 |
|---------------------------|----------------|-------|------------------------|------------------------|------------------------|------------------------|
| Operating force | OF max. | | 9.41N | 9.41N | 9.41N | 2.12N |
| Release force | RF min. | | 1.47N | 1.47N | 1.47N | 0.29N |
| Pretravel | PT | | $21^\circ \pm 3^\circ$ | $21^\circ \pm 3^\circ$ | $21^\circ \pm 3^\circ$ | $21^\circ \pm 3^\circ$ |
| | PT (2nd) *3 *5 | | (45°) | (45°) | (45°) | (45°) |
| Overtravel | OT min. | | 50° | 50° | 50° | 50° |
| Movement differential | MD max. *4 | | 12° | 12° | 12° | 12° |
| Direct opening travel | DOT min. *3 *6 | | 35° | 35° | 35° | 35° |
| | *4 *6 | | 55° | 55° | 55° | 55° |
| Direct opening force | DOF min. *6 | | 19.61N | 19.61N | 19.61N | 19.61N |
| Total travel | TT *5 | | (75°) | (75°) | (75°) | (75°) |

Note: Variation occurs in the simultaneity of contact opening/closing operations of 2NC contacts. Check contact operation.

*1. The operating characteristics of these Switches were measured with the roller level set at 31.5 mm.

*2. The operating characteristics of these Switches were measured with the rod level set at 140 mm.

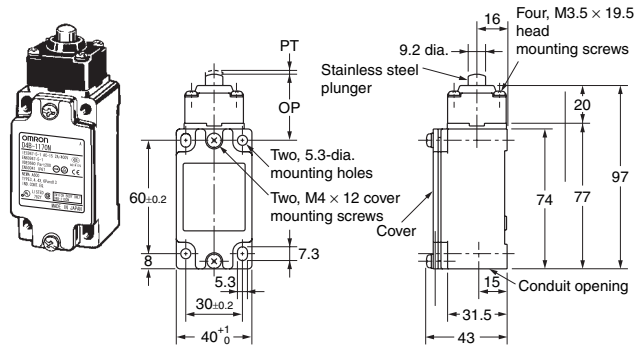
*3. Only for slow-action models.

*4. Only for snap-action models.

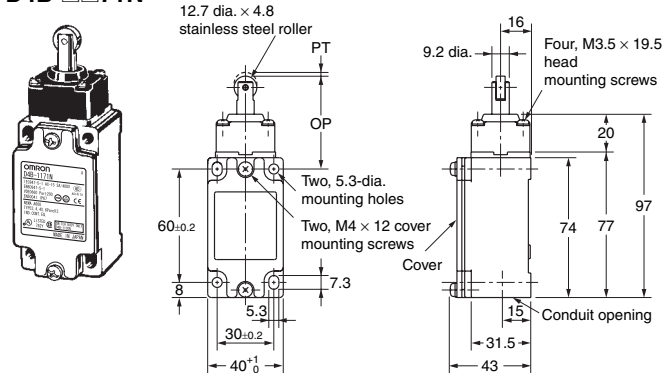
*5. Reference values.

*6. Must be provided to ensure safe operation.

Top Plunger
D4B-□□70N



Top Roller Plunger
D4B-□□71N



Note: Unless otherwise specified, a tolerance of ±0.4 mm applies to all dimensions.

| Operating characteristics | | Model | D4B-□□70N | D4B-□□71N |
|---------------------------|----------------|-------|-----------|-----------|
| Operating force | OF max. | | 18.63 N | 18.63 N |
| Release force | RF min. | | 1.96 N | 1.96 N |
| Pretravel | PT max. | | 2 mm | 2 mm |
| | PT (2nd) *1 *3 | | (3 mm) | (3 mm) |
| Overtravel | OT min. | | 5 mm | 5 mm |
| Movement differential | MD max. *2 | | 1 mm | 1 mm |
| Direct opening travel | DOT min. *4 | | 3.2 mm | 3.2 mm |
| Direct opening force | DOF min. *4 | | 49.03 N | 49.03 N |
| Total travel | TT *3 | | (7 mm) | (7 mm) |
| Free position | FP max. | | 38 mm | 51 mm |
| Operating position | OP | | 35±1 mm | 48±1 mm |

Note: Variation occurs in the simultaneity of contact opening/closing operations of 2NC contacts. Check contact operation.

*1. Only for slow-action models.

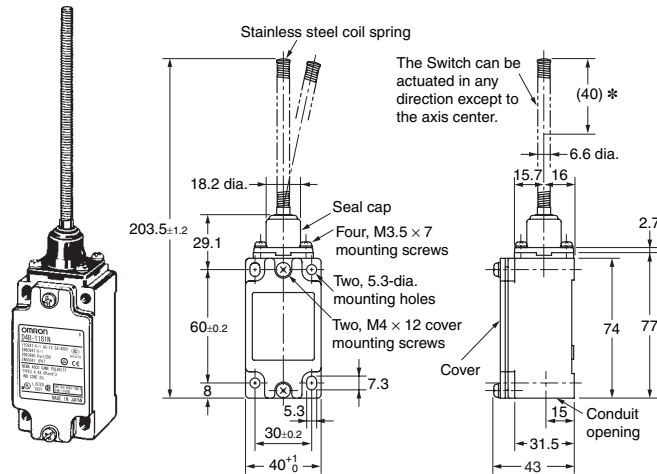
*2. Only for snap-action models.

*3. Reference values.

*4. Must be provided to ensure safe operation.

Coil Spring (Non-directional)
D4B-□□81N

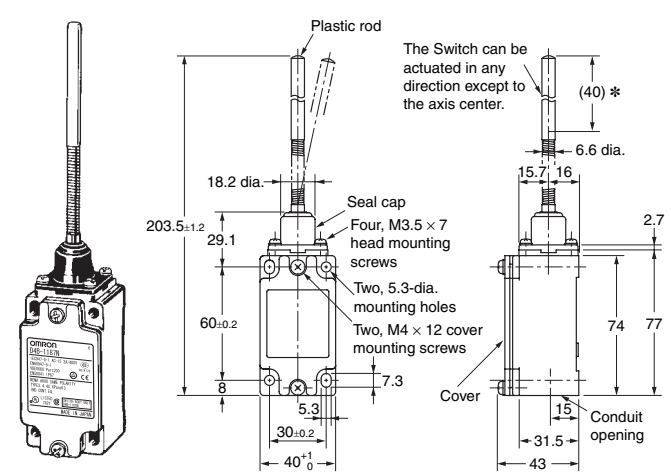
(Mechanically speaking, these models are general limit switches and not safety limit switches.)



* Be sure to adjust the dog to within 40 mm from the top end of the coil spring.

Plastic Rod (Non-directional)
D4B-□□87N

(Mechanically speaking, these models are general limit switches and not safety limit switches.)



* Be sure to adjust the dog to within 40 mm from the top end of the plastic rod.

Note: Unless otherwise specified, a tolerance of ±0.4 mm applies to all dimensions.

| Operating characteristics | | Model | D4B-□□81N | D4B-□□87N |
|---------------------------|---------|-------|-----------|-----------|
| Operating force | OF max. | | 1.47 N | 1.47 N |
| Pretravel | PT max. | | 15° | 15° |

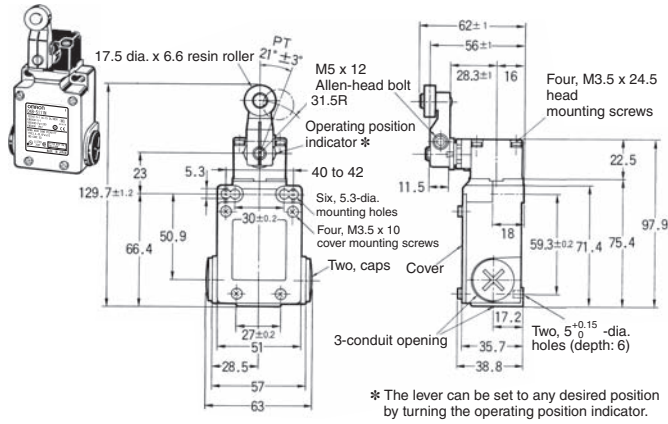
Note: Variation occurs in the simultaneity of contact opening/closing operations of 2NC contacts. Check contact operation.

D4B-□N

3-conduit Switches

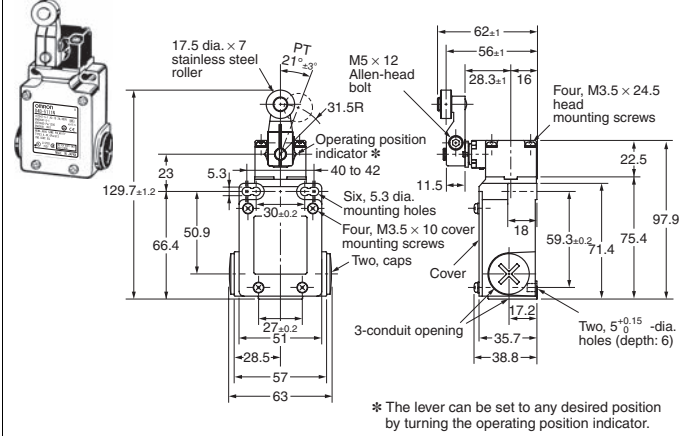
Roller Lever

D4B-□□11N



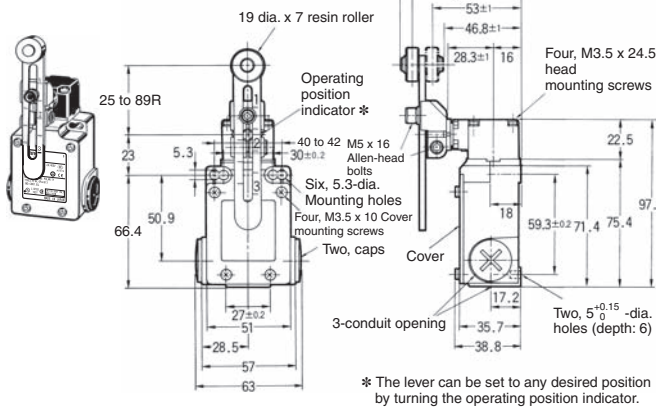
Roller Lever

D4B-□□15N



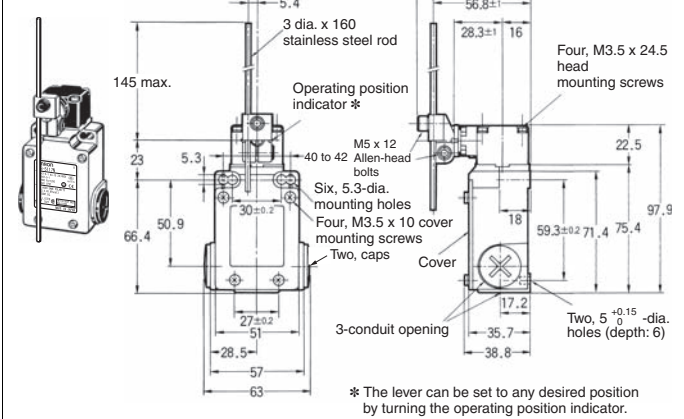
Adjustable Roller Lever

D4B-□□16N



Adjustable Rod Lever

D4B-□□17N



Note: Unless otherwise specified, a tolerance of ± 0.4 mm applies to all dimensions.

| | | Model | D4B-□□11N | D4B-□□15N | D4B-□□16N | D4B-□□17N |
|----------------------------------|-----------------------|-------|------------------------|------------------------|------------------------|------------------------|
| Operating characteristics | | | | | *1 | *2 |
| Operating force | OF max. | | 9.41 N | 9.41 N | 9.41 N | 2.12 N |
| Release force | RF min. | | 1.47 N | 1.47 N | 1.47 N | 0.29 N |
| Pretravel | PT | | $21^\circ \pm 3^\circ$ | $21^\circ \pm 3^\circ$ | $21^\circ \pm 3^\circ$ | $21^\circ \pm 3^\circ$ |
| | PT (2nd) *3 *5 | | (45°) | (45°) | (45°) | (45°) |
| Overtravel | OT min. | | 50° | 50° | 50° | 50° |
| Movement differential | MD max. *4 | | 12° | 12° | 12° | 12° |
| Direct opening travel | DOT min. *3 *6 | | 35° | 35° | 35° | 35° |
| | *4 *6 | | 55° | 55° | 55° | 55° |
| Direct opening force | DOF min. *6 | | 19.61 N | 19.61 N | 19.61 N | 19.61 N |
| Total travel | TT *5 | | (75°) | (75°) | (75°) | (75°) |

Note: Variation occurs in the simultaneity of contact opening/closing operations of 2NC contacts. Check contact operation.

*1. The operating characteristics of these Switches were measured with the roller level set at 31.5 mm.

*2. The operating characteristics of these Switches were measured with the rod level set at 140 mm.

*3. Only for slow-action models.

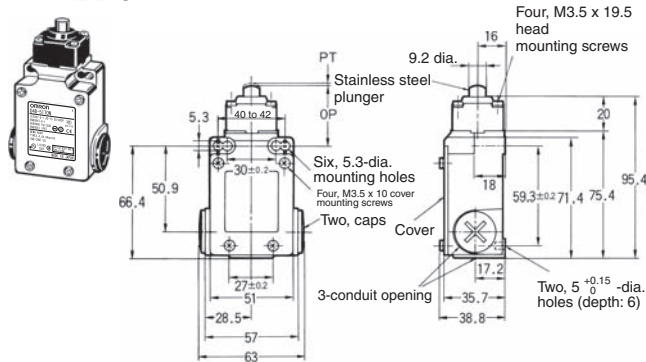
*4. Only for snap-action models.

*5. Reference values.

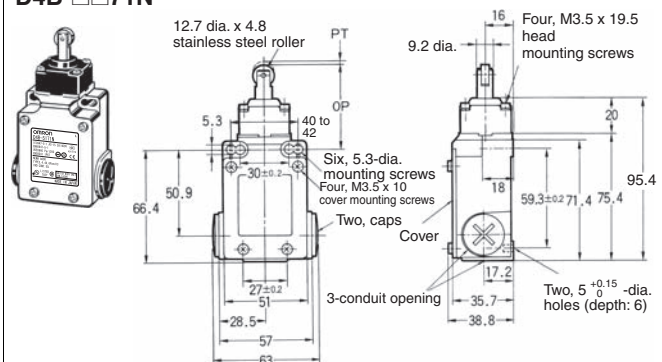
*6. Must be provided to ensure safe operation.

D4B-□N

Top Plunger D4B-□□70N



Top Roller Plunger D4B-□□71N



Note: Unless otherwise specified, a tolerance of ±0.4 mm applies to all dimensions.

| Operating characteristics | | Model | D4B-□□70N | D4B-□□71N |
|---------------------------|----------------|-------|-----------|-----------|
| Operating force | OF max. | | 18.63 N | 18.63 N |
| Release force | RF min. | | 1.96 N | 1.96 N |
| Pretravel | PT max. | | 2 mm | 2 mm |
| | PT (2nd) *1 *3 | | (3 mm) | (3 mm) |
| Overtravel | OT min. | | 5 mm | 5 mm |
| Movement differential | MD max. *2 | | 1 mm | 1 mm |
| Direct opening travel | DOT min. *4 | | 3.2 mm | 3.2 mm |
| Direct opening force | DOF min. *4 | | 49.03 N | 49.03 N |
| Total travel | TT *3 | | (7 mm) | (7 mm) |
| Free position | FP max. | | 38 mm | 51 mm |
| Operating position | OP | | 35±1 mm | 48±1 mm |

Note: Variation occurs in the simultaneity of contact opening/closing operations of 2NC contacts. Check contact operation.

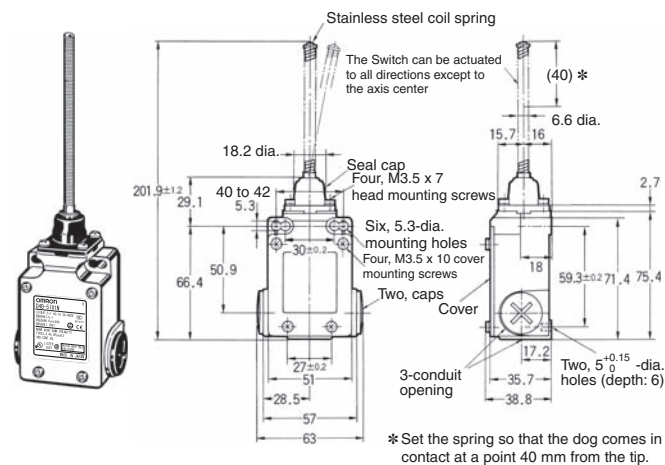
*1. Only for slow-action models.

*2. Only for snap-action models.

*3. Reference values.

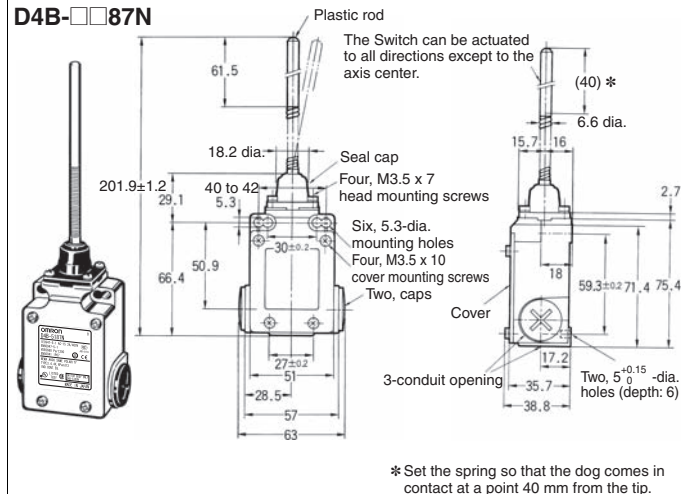
*4. Must be provided to ensure safe operation.

Coil Spring D4B-□□81N



* Set the spring so that the dog comes in contact at a point 40 mm from the tip.

Plastic Rod D4B-□□87N



* Set the spring so that the dog comes in contact at a point 40 mm from the tip.

Note: Unless otherwise specified, a tolerance of ±0.4 mm applies to all dimensions.

| Operating characteristics | | Model | D4B-□□81N | D4B-□□87N |
|---------------------------|---------|-------|-----------|-----------|
| Operating force | OF max. | | 1.47 N | 1.47 N |
| Pretravel | PT max. | | 15° | 15° |

Note: Variation occurs in the simultaneity of contact opening/closing operations of 2NC contacts. Check contact operation.

D4B-□N

Levers (Applicable for Roller Lever Models only)

| | | | |
|--|--|---|--|
| <p>Roller Lever D4B-0001N</p> | <p>Roller Lever (Stainless Steel Roller) D4B-0005N</p> | <p>Adjustable Roller Lever D4B-0006N</p> | <p>Adjustable Rod Lever D4B-0007N</p> |
| <p>Roller Lever (Compatible with Previous D4B Model) D4B-000RN</p> | <p>Roller Lever WL-1A118</p> <p>Note: Reverse the indicator plate when mounting.</p> | <p>Roller Lever WL-1A106</p> <p>Note: Reverse the indicator plate when mounting.</p> | |
| <p>Roller Lever WL-1A300</p> <p>Note: Reverse the indicator plate when mounting.</p> | <p>Roller Lever WL-1A400</p> <p>Note: Reverse the indicator plate when mounting.</p> | <p>---</p> | |
| <p>Adjustable Rod Lever WL-3A100</p> <p>Note: Reverse the indicator plate when mounting.</p> | <p>Spring Rod Lever WL-4A201</p> <p>Note: Reverse the indicator plate when mounting.</p> | <p>Resin Loop Lever D4A-F00</p> <p>Note: Reverse the indicator plate when mounting.</p> | |

Note: 1. Unless otherwise specified, a tolerance of ± 0.4 mm applies to all dimensions.
 2. Safety Limit Switch specifications are satisfied with D4B-□□□□N Levers only (example: D4B-0001N).
 The D4B-0006N Adjustable Roller Lever and D4B-0007N Adjustable Rod Lever, however, cannot be used. Do not order them for a Side Rotary Operating Head.

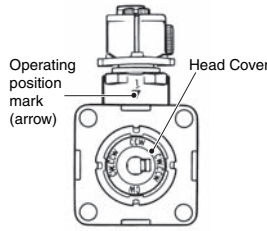
1'

OMRON

Application Precaution

Changing the Operating Direction Switches with Roller Levers

The operating direction of the lever can be easily changed without using any tools. It can be set to clockwise operation (CW) or counterclockwise (CCW) operation. Use the procedure given at the right to change the operating direction.

| Operating section (on back of Head) | Operating procedure |
|--|--|
|  | <ol style="list-style-type: none"> 1. Remove the four Head set screws and remove the Head from the Switch Box. |
| | <ol style="list-style-type: none"> 2. Turn the bottom of the Head toward you, press in the Head Cover shown in the diagram at the left, and turn the Cover clockwise or counterclockwise. <p>Note: The factory setting is for "CW.CCW."</p> |
| | <ol style="list-style-type: none"> 3. The "CW" setting is for clockwise operation and the "CCW" setting is for counterclockwise operation. Set the Cover to the desired position. |

Safety Precautions

Refer to the "Precautions for All Switches" on page B-2 and "Precautions for All Safety Limit Switches" on page 170.

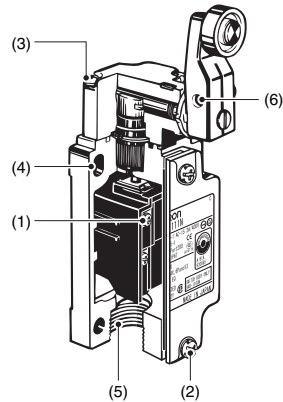
Precautions for Safe Use

- Do not use the Switch submerged in oil or water, or in locations continuously subject to splashes of oil or water. Doing so may result in oil or water entering the Switch interior. (The IP67 degree of protection specification for the Switch refers to water penetration while the Switch is submersed in water for a specified period of time.)
- Always attach the cover after completing wiring and before using the Switch. Also, do not turn ON the Switch with the cover open. Doing so may result in electric shock.

Precautions for Correct Use

Appropriate Tightening Torque

Be sure to tighten each screw of the D4B-□N properly, otherwise the D4B-□N may malfunction.



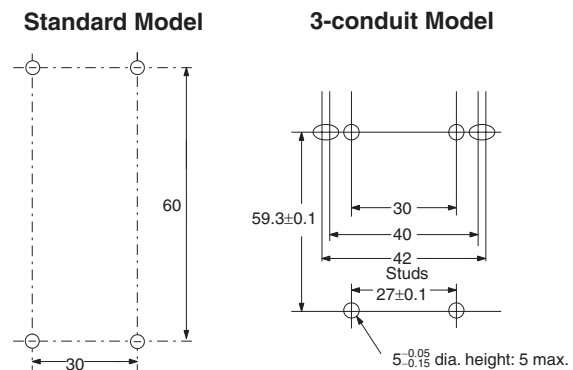
| Type | Appropriate tightening torque |
|--|-------------------------------|
| 1 M3.5 terminal screw | 0.59 to 0.78 N·m |
| 2 Cover mounting screw * | 1.18 to 1.37 N·m |
| 3 Head mounting screw | 0.78 to 0.88 N·m |
| 4 M5 body mounting screw | 4.90 to 5.88 N·m |
| 5 Connector | 1.77 to 2.16 N·m |
| 6 Lever Mounting Screws (Roller Levers) | 4.90 to 5.88 N·m |
| --- Cap screw (for three-conduit models) | 1.27 to 1.67 N·m |

* Apply a tightening torque of 0.78 to 0.88 N·m to three-conduit models.

Mounting

Use four M5 screws with washers to mount the standard model. Be sure to apply the proper torque to tighten each screw. The 3-conduit models can be mounted more securely by using the four screws plus two 5^{-0.05}/_{0.15} mm diameter studs, each of which has a maximum height of 4.8 mm as shown below.

Mounting Dimensions (M5)



Changes in Actuator Mounting Position

- To change the angle of the lever, loosen the Allen-head bolts on the side of the lever.
- The operating position indicator plate has protruding parts which engage with the lever, thus allowing changes to the lever position by 90°.
- The back of the operating position indicator plate has no protruding parts. If this plate is turned over and attached, any angle within a 360° range can be set. Do not turn over the plate, however, when using the D4B-□N as a switch with a certified direct opening mechanism. For an SUVA- or BIA-certified application, make sure that the lever engages with the operating position indicator plate securely so that the lever will not slip.

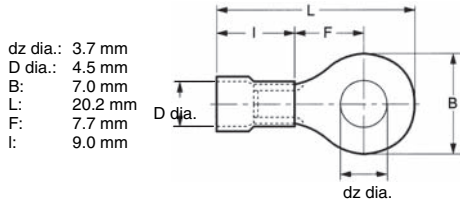
Changes in Head Mounting Position

By removing the screws on the four corners of the head, the head can be reset in any of four directions. Make sure that no foreign materials will penetrate through the head.

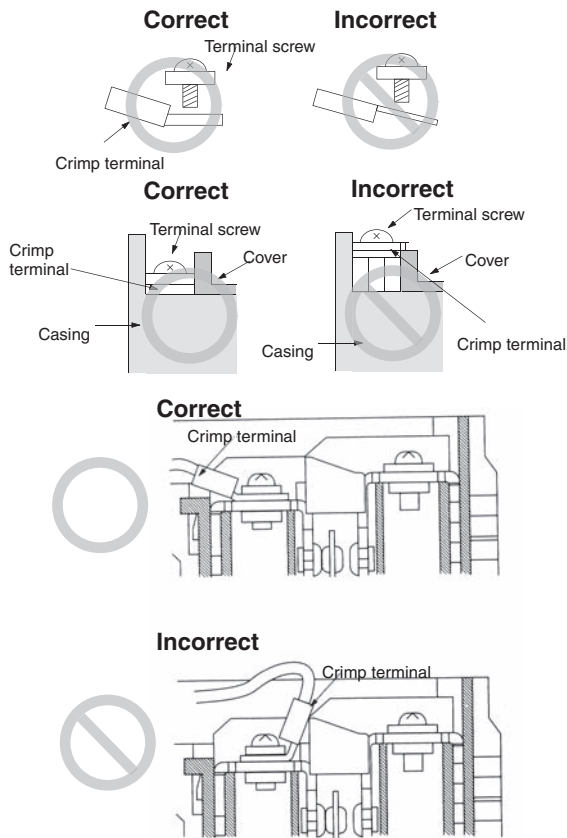
D4B-□N

Wiring

Do not connect the bare lead wires directly to the terminals but be sure to connect each of them by using an insulation tube and M3.5 round crimp terminals and tighten each terminal screw within the specified torque range.
The proper lead wire is 20 to 14 AWG (0.5 to 2.5 mm²) in size.



Make sure that all crimp terminals come into contact with the casing or cover as shown below, otherwise the cover may not be mounted properly or the D4B-□N may malfunction.

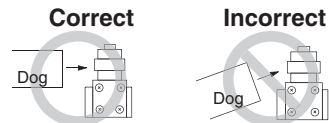


Conduit Opening

- Make sure that each connector is tightened within the specified torque range.
The casing may be damaged if the connector is tightened excessively.
- If the 1/2-14NPT is used, cover the cable and conduit end with sealing tape in order to ensure IP67.
- The Pg13.5 connector must be Nippon Flex's ABS-08 Pg13.5 or ABS-12 Pg13.5.
- Use an OMRON SC-series Connector (sold separately) that is suited to the cable in diameter.
- Properly attach the provided conduit cap to the unused conduit opening and securely tighten the cap screw within the specified torque when wiring the D4B-□N.

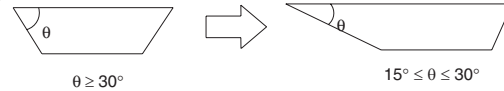
Others

- The load for the actuator (roller) of the Switch must be imposed on the actuator in the horizontal direction, otherwise the actuator or the rotating axis may be deformed or damaged.



- When using a long lever model like the D4B-□□16N or D4B-□□17N, the Switch may telegraph. To avoid telegraphing, take the following precautions.

1. Set the lever to operate in one direction. For details, see "Changing the Operating Direction" on page 219.
2. Modify the rear end of the dog to an angle of 15° to 30° as shown below or to a secondary-degree curve.

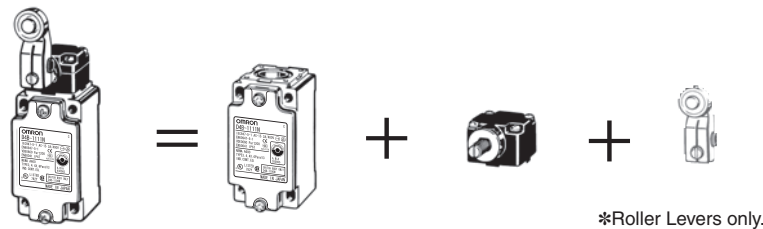
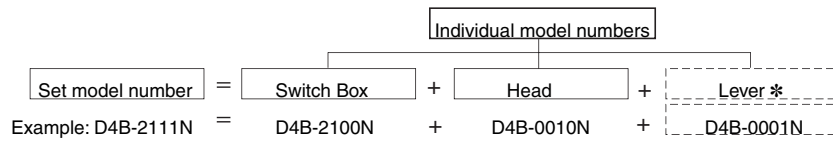


3. Modify the circuit so as not to detect the wrong operating signals.

Ordering Method

The D4B-□N uses a block mounting method. Switches can be ordered either as sets or as individual parts. If a set is ordered, the Switch will be shipped with all parts assembled.

Note: For Switches with Roller Levers, do not order just the Head and Lever, or just the Switch Box and Lever.



Terms and Conditions of Sale

1. **Offer; Acceptance.** These terms and conditions (these "Terms") are deemed part of all quotes, agreements, purchase orders, acknowledgments, price lists, catalogs, manuals, brochures and other documents, whether electronic or in writing, relating to the sale of products or services (collectively, the "Products") by Omron Electronics LLC and its subsidiary companies ("Omron"). Omron objects to any terms or conditions proposed in Buyer's purchase order or other documents which are inconsistent with, or in addition to, these Terms.
2. **Prices; Payment Terms.** All prices stated are current, subject to change without notice by Omron. Omron reserves the right to increase or decrease prices on any unshipped portions of outstanding orders. Payments for Products are due net 30 days unless otherwise stated in the invoice.
3. **Discounts.** Cash discounts, if any, will apply only on the net amount of invoices sent to Buyer after deducting transportation charges, taxes and duties, and will be allowed only if (i) the invoice is paid according to Omron's payment terms and (ii) Buyer has no past due amounts.
4. **Interest.** Omron, at its option, may charge Buyer 1-1/2% interest per month or the maximum legal rate, whichever is less, on any balance not paid within the stated terms.
5. **Orders.** Omron will accept no order less than \$200 net billing.
6. **Governmental Approvals.** Buyer shall be responsible for, and shall bear all costs involved in, obtaining any government approvals required for the importation or sale of the Products.
7. **Taxes.** All taxes, duties and other governmental charges (other than general real property and income taxes), including any interest or penalties thereon, imposed directly or indirectly on Omron or required to be collected directly or indirectly by Omron for the manufacture, production, sale, delivery, importation, consumption or use of the Products sold hereunder (including customs duties and sales, excise, use, turnover and license taxes) shall be charged to and remitted by Buyer to Omron.
8. **Financial.** If the financial position of Buyer at any time becomes unsatisfactory to Omron, Omron reserves the right to stop shipments or require satisfactory security or payment in advance. If Buyer fails to make payment or otherwise comply with these Terms or any related agreement, Omron may (without liability and in addition to other remedies) cancel any unshipped portion of Products sold hereunder and stop any Products in transit until Buyer pays all amounts, including amounts payable hereunder, whether or not then due, which are owing to it by Buyer. Buyer shall in any event remain liable for all unpaid accounts.
9. **Cancellation; Etc.** Orders are not subject to rescheduling or cancellation unless Buyer indemnifies Omron against all related costs or expenses.
10. **Force Majeure.** Omron shall not be liable for any delay or failure in delivery resulting from causes beyond its control, including earthquakes, fires, floods, strikes or other labor disputes, shortage of labor or materials, accidents to machinery, acts of sabotage, riots, delay in or lack of transportation or the requirements of any government authority.
11. **Shipping; Delivery.** Unless otherwise expressly agreed in writing by Omron:
 - a. Shipments shall be by a carrier selected by Omron; Omron will not drop ship except in "break down" situations.
 - b. Such carrier shall act as the agent of Buyer and delivery to such carrier shall constitute delivery to Buyer;
 - c. All sales and shipments of Products shall be FOB shipping point (unless otherwise stated in writing by Omron), at which point title and risk of loss shall pass from Omron to Buyer; provided that Omron shall retain a security interest in the Products until the full purchase price is paid;
 - d. Delivery and shipping dates are estimates only; and
 - e. Omron will package Products as it deems proper for protection against normal handling and extra charges apply to special conditions.
12. **Claims.** Any claim by Buyer against Omron for shortage or damage to the Products occurring before delivery to the carrier must be presented in writing to Omron within 30 days of receipt of shipment and include the original transportation bill signed by the carrier noting that the carrier received the Products from Omron in the condition claimed.
13. **Warranties.** (a) **Exclusive Warranty.** Omron's exclusive warranty is that the Products will be free from defects in materials and workmanship for a period of twelve months from the date of sale by Omron (or such other period expressed in writing by Omron). Omron disclaims all other warranties, express or implied. (b) **Limitations.** OMRON MAKES NO WARRANTY OR REPRESENTATION, EXPRESS OR IMPLIED, ABOUT NON-INFRINGEMENT, MERCHANTABILITY OR FITNESS FOR A PARTICULAR PURPOSE OF THE PRODUCTS. BUYER ACKNOWLEDGES THAT IT ALONE HAS DETERMINED THAT THE PRODUCTS WILL SUITABLY MEET THE REQUIREMENTS OF THEIR INTENDED USE. Omron further disclaims all warranties and responsibility of any type for claims or expenses based on infringement by the Products or otherwise of any intellectual property right. (c) **Buyer Remedy.** Omron's sole obligation hereunder shall be, at Omron's election, to (i) replace (in the form originally shipped with Buyer responsible for labor charges for removal or replacement thereof) the non-complying Product, (ii) repair the non-complying Product, or (iii) repay or credit Buyer an amount equal to the purchase price of the non-complying Product; provided that in no event shall Omron be responsible for warranty, repair, indemnity or any other claims or expenses regarding the Products unless Omron's analysis confirms that the Products were properly handled, stored, installed and maintained and not subject to contamination, abuse, misuse or inappropriate modification. Return of any Products by Buyer must be approved in writing by Omron before shipment. Omron Companies shall not be liable for the suitability or unsuitability or the results from the use of Products in combination with any electrical or electronic components, circuits, system assemblies or any other materials or substances or environments. Any advice, recommendations or information given orally or in writing, are not to be construed as an amendment or addition to the above warranty. See <http://www.omron247.com> or contact your Omron representative for published information.
14. **Limitation on Liability; Etc.** OMRON COMPANIES SHALL NOT BE LIABLE FOR SPECIAL, INDIRECT, INCIDENTAL, OR CONSEQUENTIAL DAMAGES, LOSS OF PROFITS OR PRODUCTION OR COMMERCIAL LOSS IN ANY WAY CONNECTED WITH THE PRODUCTS, WHETHER SUCH CLAIM IS BASED IN CONTRACT, WARRANTY, NEGLIGENCE OR STRICT LIABILITY. Further, in no event shall liability of Omron Companies exceed the individual price of the Product on which liability is asserted.
15. **Indemnities.** Buyer shall indemnify and hold harmless Omron Companies and their employees from and against all liabilities, losses, claims, costs and expenses (including attorney's fees and expenses) related to any claim, investigation, litigation or proceeding (whether or not Omron is a party) which arises or is alleged to arise from Buyer's acts or omissions under these Terms or in any way with respect to the Products. Without limiting the foregoing, Buyer (at its own expense) shall indemnify and hold harmless Omron and defend or settle any action brought against such Companies to the extent based on a claim that any Product made to Buyer specifications infringed intellectual property rights of another party.
16. **Property; Confidentiality.** Any intellectual property in the Products is the exclusive property of Omron Companies and Buyer shall not attempt to duplicate it in any way without the written permission of Omron. Notwithstanding any charges to Buyer for engineering or tooling, all engineering and tooling shall remain the exclusive property of Omron. All information and materials supplied by Omron to Buyer relating to the Products are confidential and proprietary, and Buyer shall limit distribution thereof to its trusted employees and strictly prevent disclosure to any third party.
17. **Export Controls.** Buyer shall comply with all applicable laws, regulations and licenses regarding (i) export of products or information; (ii) sale of products to "forbidden" or other proscribed persons; and (iii) disclosure to non-citizens of regulated technology or information.
18. **Miscellaneous.** (a) **Waiver.** No failure or delay by Omron in exercising any right and no course of dealing between Buyer and Omron shall operate as a waiver of rights by Omron. (b) **Assignment.** Buyer may not assign its rights hereunder without Omron's written consent. (c) **Law.** These Terms are governed by the law of the jurisdiction of the home office of the Omron company from which Buyer is purchasing the Products (without regard to conflict of law principles). (d) **Amendment.** These Terms constitute the entire agreement between Buyer and Omron relating to the Products, and no provision may be changed or waived unless in writing signed by the parties. (e) **Severability.** If any provision hereof is rendered ineffective or invalid, such provision shall not invalidate any other provision. (f) **Setoff.** Buyer shall have no right to set off any amounts against the amount owing in respect of this invoice. (g) **Definitions.** As used herein, "including" means "including without limitation"; and "Omron Companies" (or similar words) mean Omron Corporation and any direct or indirect subsidiary or affiliate thereof.

Certain Precautions on Specifications and Use

1. **Suitability of Use.** Omron Companies shall not be responsible for conformity with any standards, codes or regulations which apply to the combination of the Product in the Buyer's application or use of the Product. At Buyer's request, Omron will provide applicable third party certification documents identifying ratings and limitations of use which apply to the Product. This information by itself is not sufficient for a complete determination of the suitability of the Product in combination with the end product, machine, system, or other application or use. Buyer shall be solely responsible for determining appropriateness of the particular Product with respect to Buyer's application, product or system. Buyer shall take application responsibility in all cases but the following is a non-exhaustive list of applications for which particular attention must be given: (i) Outdoor use, uses involving potential chemical contamination or electrical interference, or conditions or uses not described in this document. (ii) Use in consumer products or any use in significant quantities. (iii) Energy control systems, combustion systems, railroad systems, aviation systems, medical equipment, amusement machines, vehicles, safety equipment, and installations subject to separate industry or government regulations. (iv) Systems, machines and equipment that could present a risk to life or property. Please know and observe all prohibitions of use applicable to this Product. NEVER USE THE PRODUCT FOR AN APPLICATION INVOLVING SERIOUS RISK TO LIFE OR PROPERTY OR IN LARGE QUANTITIES WITHOUT ENSURING THAT THE SYSTEM AS A WHOLE HAS BEEN DESIGNED TO ADDRESS THE RISKS, AND THAT THE OMRON'S PRODUCT IS PROPERLY RATED AND INSTALLED FOR THE INTENDED USE WITHIN THE OVERALL EQUIPMENT OR SYSTEM.
2. **Programmable Products.** Omron Companies shall not be responsible for the user's programming of a programmable Product, or any consequence thereof.
3. **Performance Data.** Data presented in Omron Company websites, catalogs and other materials is provided as a guide for the user in determining suitability and does not constitute a warranty. It may represent the result of Omron's test conditions, and the user must correlate it to actual application requirements. Actual performance is subject to the Omron's Warranty and Limitations of Liability.
4. **Change in Specifications.** Product specifications and accessories may be changed at any time based on improvements and other reasons. It is our practice to change part numbers when published ratings or features are changed, or when significant construction changes are made. However, some specifications of the Product may be changed without any notice. When in doubt, special part numbers may be assigned to fix or establish key specifications for your application. Please consult with your Omron's representative at any time to confirm actual specifications of purchased Product.
5. **Errors and Omissions.** Information presented by Omron Companies has been checked and is believed to be accurate; however, no responsibility is assumed for clerical, typographical or proofreading errors or omissions.



OMRON AUTOMATION AND SAFETY • THE AMERICAS HEADQUARTERS • Chicago, IL USA • 847.843.7900 • 800.556.6766 • www.omron247.com

OMRON CANADA, INC. • HEAD OFFICE

Toronto, ON, Canada • 416.286.6465 • 866.986.6766 • www.omron247.com

OMRON ELECTRONICS DE MEXICO • HEAD OFFICE

México DF • 52.55.59.01.43.00 • 01-800-226-6766 • mela@omron.com

OMRON ELECTRONICS DE MEXICO • SALES OFFICE

Apodaca, N.L. • 52.81.11.56.99.20 • 01-800-226-6766 • mela@omron.com

OMRON ELETRÔNICA DO BRASIL LTDA • HEAD OFFICE

São Paulo, SP, Brasil • 55.11.2101.6300 • www.omron.com.br

OMRON ARGENTINA • SALES OFFICE

Cono Sur • 54.11.4783.5300

OMRON CHILE • SALES OFFICE

Santiago • 56.9.9917.3920

OTHER OMRON LATIN AMERICA SALES

54.11.4783.5300

OMRON EUROPE B.V. • Wegalaan 67-69, NL-2132 JD, Hoofddorp, The Netherlands. • +31 (0) 23 568 13 00 • www.industrial.omron.eu

Authorized Distributor:

Automation Control Systems

- Machine Automation Controllers (MAC) • Programmable Controllers (PLC)
- Operator interfaces (HMI) • Distributed I/O • Software

Drives & Motion Controls

- Servo & AC Drives • Motion Controllers & Encoders

Temperature & Process Controllers

- Single and Multi-loop Controllers

Sensors & Vision

- Proximity Sensors • Photoelectric Sensors • Fiber-Optic Sensors
- Amplified Photomicrosensors • Measurement Sensors
- Ultrasonic Sensors • Vision Sensors

Industrial Components

- RFID/Code Readers • Relays • Pushbuttons & Indicators
- Limit and Basic Switches • Timers • Counters • Metering Devices
- Power Supplies

Safety

- Laser Scanners • Safety Mats • Edges and Bumpers • Programmable Safety Controllers • Light Curtains • Safety Relays • Safety Interlock Switches

X-ON Electronics

Largest Supplier of Electrical and Electronic Components

Click to view similar products for [Limit Switches](#) category:

Click to view products by [Omron](#) manufacturer:

Other Similar products are found below :

[6LS2-4PG](#) [5ML1-E1](#) [5ML31](#) [LZG1](#) [LZL1-6C](#) [622EN114-R](#) [622EN18-6](#) [622EN224-6B](#) [622EN230](#) [622EN237-R](#) [622EN69-3](#) [622EN85-RB](#)
[MA-10019](#) [6PA109](#) [7LS51](#) [83547001](#) [83725002](#) [83830001](#) [83840001](#) [83840701](#) [83841001](#) [83870104](#) [83881140](#) [8AS42](#) [8LS10](#) [8LS125-](#)
[4PG](#) [8LS152-4PGN20](#) [914CE16-3A](#) [914CE16-AQ](#) [914CE3-3L1](#) [915PA10](#) [91MCE16-P2O](#) [924CE16-Y3](#) [924CE1-S6](#) [924CE1-T25A](#)
[924CE1-T3](#) [924CE1-T9A](#) [924CE2-T9](#) [924CE31-Y20-X5](#) [924CE31-Y3L1](#) [GL-10054](#) [GL-85710](#) [GL-85714](#) [GLAB26J2B](#) [GLDB03C-6](#)
[GLZ324](#) [PS21R-NT11N7-YK0](#) [D4A-1106N](#) [D4A1201N](#) [D4A-3E02N](#)