

D4E Limit Switch

Coolant-Resistant Model



Part No: D4E-1A23N-FH-M1J 0.3M

D4E Limit Switch

Coolant-Resistant Model



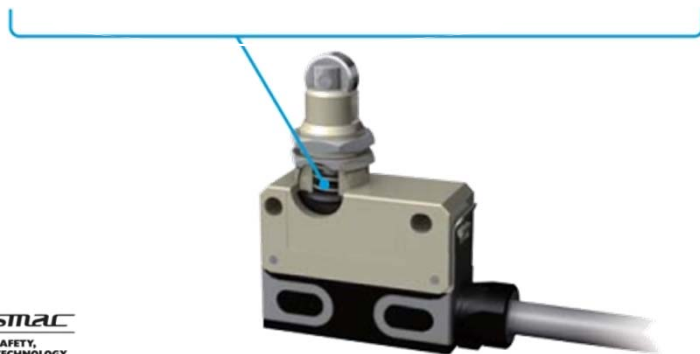
Benefits

- Omron-developed rubber seal dramatically increases the durability against coolant exposure
- The durability of the “Coolant-Resistant Model” is 4 times longer than standard (Non-resistant) model
- Quick and correct connection saves customers’ maintenance cost

Standard type



Coolant-Resistant Model



Coolant-Resistant Model

4 years or more

Standard

1 year

Durability

D4E Limit Switch

Coolant-Resistant Model



Target Industry: Machine Tool

- ▶ Find customers who use limit switches and coolant
- ▶ Ask questions of your customers:

- Are they aware of the maintenance cost for switches?
- How much are the labor cost to replace switches?
- Do they know the cost of machine downtime during maintenance?
- Do they have to replace switches often and if so, why?

Solution

Use coolant-proof type
D4E-1A23N-FH-M1J 0.3M

Result

Save Switch maintenance
cost 4 times or more!!



D4E Limit Switch

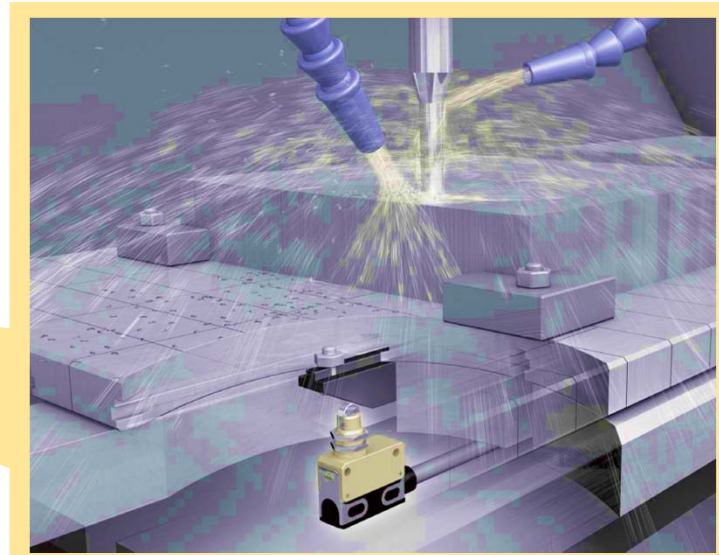
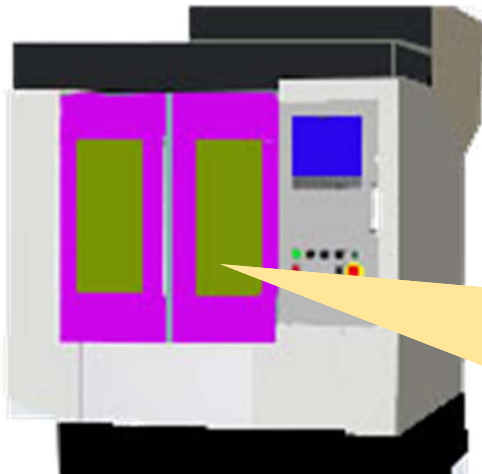
Coolant-Resistant Model



Target Application: Machine Tool/Processing Machine

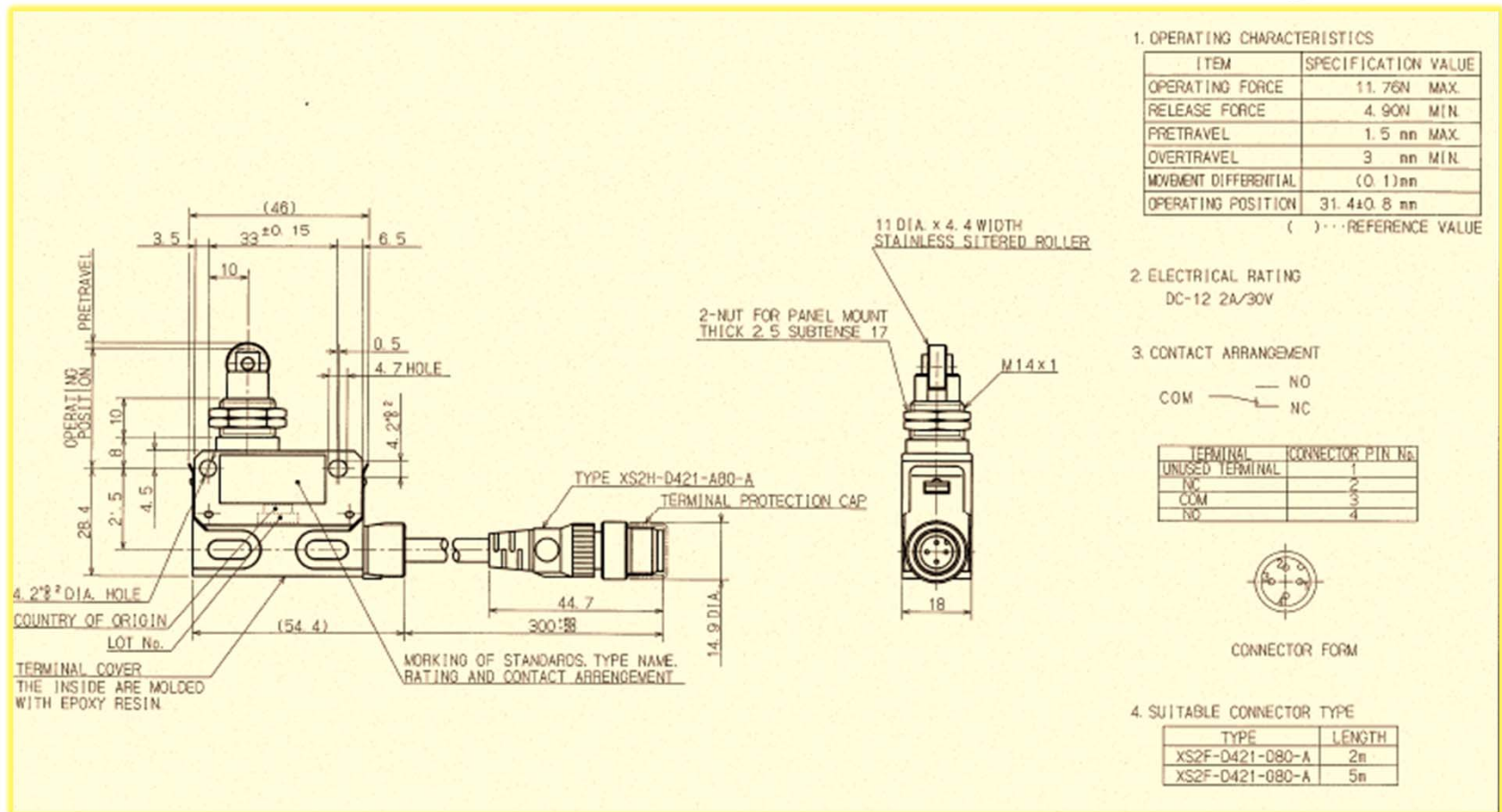
- ▶ **Detect Table Position, especially Tapping Machine**
Expected usage is 6 to 9 pieces per machine
- ▶ **The most appropriate for water-soluble coolant**

Target Customer: Automotive parts manufacturer



D4E Limit Switch

Coolant-Resistant Model



X-ON Electronics

Largest Supplier of Electrical and Electronic Components

Click to view similar products for [Limit Switches](#) category:

Click to view products by [Omron](#) manufacturer:

Other Similar products are found below :

[5ML1-E1](#) [5ML31](#) [LZG1](#) [LZL1-6C](#) [622EN114-R](#) [622EN18-6](#) [622EN224-6B](#) [622EN230](#) [622EN237-R](#) [622EN69-3](#) [622EN85-RB](#) [MA-10019](#)
[6PA109](#) [7LS51](#) [83547001](#) [83725002](#) [83830001](#) [83840701](#) [83841001](#) [83881140](#) [8AS42](#) [8LS10](#) [8LS125-4PG](#) [8LS152-4PGN20](#) [914CE16-](#)
[3A](#) [914CE3-3L1](#) [915PA10](#) [91MCE16-P2O](#) [924CE16-Y3](#) [924CE1-S6](#) [924CE1-T25A](#) [924CE1-T3](#) [924CE1-T9A](#) [924CE2-T9](#) [924CE31-Y20-](#)
[X5](#) [924CE31-Y3L1](#) [GL-10054](#) [GLAB26J2B](#) [GLDB03C-6](#) [GLDC05C](#) [GLZ324](#) [H3141CAKAA](#) [RDI-G-L5B](#) [DD-10000](#) [DT-2R3-A7](#)
[14CE16-3N28](#) [14CE18-N15](#) [151ML3-E1](#) [E3102BAAAA](#) [BFL1-AW1-S](#)