

# Enclosed Switch D4MC

CSM\_D4MC\_DS\_E\_2\_3

## Economical, High Utility Enclosed Switch



- Enclosed Switches with Built-in Basic Switches for High Repeatability and Durability of 10 Million Operations Minimum.
- Panel mount versions have the same operating position as Z Basic Switch.
- Suitable for applications demanding higher mechanical strength, dustproof and drip-proof properties than those on basic switches.
- Resin molded terminal versions are available.
- Approved by UL, CSA, and CCC (Chinese standard). (Ask your OMRON representative for information on approved models.)



For the most recent information on models that have been certified for safety standards, refer to your OMRON website.

Be sure to read *Safety Precautions* on page 5 and *Safety Precautions for All Limit Switches*.

## Model Number Structure

### Model Number Legend

D4MC- 

|  |  |
|--|--|
|  |  |
|--|--|

  
(1)      (2)

#### (1) Actuator

- 500: Panel mount plunger
- 502: Panel mount roller plunger
- 504: Panel mount crossroller plunger
- 100: Hinge lever
- 102: Short hinge lever
- 200: Hinge roller lever
- 202: Short hinge roller lever
- 303: One-way action short hinge roller lever

#### (2) Location of Cable Outlet

- 0: None
- 1: Right-hand (Molded terminals)
- 2: Left-hand (Molded terminals)
- 3: Underside (Molded terminals)

## Ordering Information

| Actuator                                |  | Model     |
|---|--|-----------|
| Panel mount plunger                     |  | D4MC-5000 |
| Panel mount roller plunger              |  | D4MC-5020 |
| Panel mount crossroller plunger         |  | D4MC-5040 |
| Hinge lever                             |  | D4MC-1000 |
| Short hinge lever                       |  | D4MC-1020 |
| Hinge roller lever                      |  | D4MC-2000 |
| Short hinge roller lever                |  | D4MC-2020 |
| One-way action short hinge roller lever |  | D4MC-3030 |

Note: 1. Use Switches with molded terminals in locations subject to dirt, dust, oil drops, or high humidity. Models are available with lead wires on the right, on the left, and from the bottom.  
2. Contact your OMRON representative for information on models certified for international standards.

## Specifications

### Approved Standards

| Agency   | Standard               | File No.         |
|----------|------------------------|------------------|
| UL *     | UL508, CSA C22.2 No.14 | E76675           |
| CCC(CQC) | GB14048.5              | 2003010303077627 |

Note: Ask your OMRON representative for information on approved models.  
\* UL certified for CSA C22.2 No. 14.

## Ratings

| Rated voltage | Non-inductive load (A) |     |           |    | Inductive load (A) |      |            |    |
|---------------|------------------------|-----|-----------|----|--------------------|------|------------|----|
|               | Resistive load         |     | Lamp load |    | Inductive load     |      | Motor load |    |
|               | NC                     | NO  | NC        | NO | NC                 | NO   | NC         | NO |
| 125 VAC       | 10                     | 3   | 1.5       |    | 10                 | 5    | 2.5        |    |
| 250 VAC       | 10                     | 2.5 | 1.25      |    | 10                 | 3    | 1.5        |    |
| 480 VAC       | 3                      | 1.5 | 0.75      |    | 2.5                | 1.5  | 0.75       |    |
| 8 VDC         | 10                     | 3   | 1.5       |    | 6                  | 5    | 2.5        |    |
| 14 VDC        | 10                     | 3   | 1.5       |    | 6                  | 5    | 2.5        |    |
| 30 VDC        | 6                      | 3   | 1.5       |    | 5                  | 5    | 2.5        |    |
| 125 VDC       | 0.5                    | 0.4 | 0.4       |    | 0.05               | 0.05 | 0.05       |    |
| 250 VDC       | 0.25                   | 0.2 | 0.2       |    | 0.03               | 0.03 | 0.03       |    |

| Inrush current | NC | 30 A max. |
|----------------|----|-----------|
|                | NO | 15 A max. |

- Note: 1. The above figures are for steady-state currents.  
 2. Inductive loads have a power factor of 0.4 min. (AC) and a time constant of 7 ms max. (DC).  
 3. Lamp load has an inrush current of 10 times the steady-state current.  
 4. Motor load has an inrush current of 6 times the steady-state current.  
 5. The above ratings were tested under the following conditions.  
 (1) Ambient temperature: +20±2°C  
 (2) Ambient humidity: 65±5%RH  
 (3) Operating frequency: 20 operations/min

## Characteristics

|  |   |  |
|--|---|--|
| Degree of protection                     |   | IP67   |
| Durability                               | Mechanical  | 10,000,000 operations min.   |
|  | Electrical  | 500,000 operations min.  |
| Operating speed                          |   | 0.05 mm/s to 0.5 m/s *1  |
| Operating frequency                      | Mechanical  | 120 operations/min   |
|  | Electrical  | 20 operations/min  |
| Rated frequency                          |   | 50/60 Hz   |
| Insulation resistance                    |   | 100 MΩ min. (at 500 VDC)   |
| Contact resistance                       |   | 15 mΩ max. (initial value for the built-in switch when tested alone) |
| Dielectric strength                      | Between terminals of the same polarity              | 1,000 VAC, 50/60 Hz for 1 min  |
|  | Between each terminal and non-current-carrying part | 2,000 VAC, 50/60 Hz for 1 min  |
| Rated insulation voltage (Ui)            |   | 1,000 VAC  |
| Pollution degree (operating environment) |   | 3 (IEC947-5-1)   |
| Protection against electric shock        |   | Class II   |
| PTI (tracking characteristics)           |   | 175  |
| Switch category                          |   | D (IEC335)   |
| Rated operating current (Ie)             |   | 10 A   |
| Rated operating voltage (Ue)             |   | 250 VAC  |
| Vibration resistance                     | Malfunction   | 10 to 55 Hz, 1.5-mm double amplitude *2                              |
| Shock resistance                         | Destruction   | 1,000 m/s <sup>2</sup> min.  |
|  | Malfunction   | 100 m/s <sup>2</sup> min. *1 *2                                      |
| Ambient operating temperature            |   | -10°C to +80°C (with no icing)                                       |
| Ambient operating humidity               |   | 35% to 95%RH   |
| Weight                                   |   | Approx. 71 g (in case of panel mount plunger)                        |

\*1. Only for models with plungers. (Contact your OMRON representative for information on other models.)

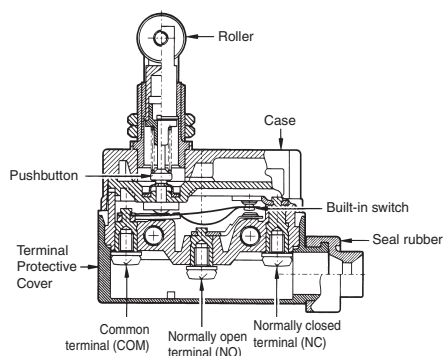
\*2. Less than 1 ms under a free state at the operating limits.

## Structure and Nomenclature

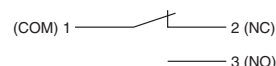
### Structure

Changing the Terminal Protective Cover around allows the cable to be pulled out from either the right or the left.

M4 binding head screws (with toothed washers) are used as the terminal screws.



### Contact Form



## Approved Standard Ratings

UL/CSA

A300

| Rated voltage | Carry current | Current (A) |       | Volt-amperes (VA) |       |
|---------------|---------------|-------------|-------|-------------------|-------|
|               |               | Make        | Break | Make              | Break |
| 120 VAC       | 10A           | 60          | 6     | 7,200             | 720   |
| 240 VAC       |               | 30          | 3     |                   |       |

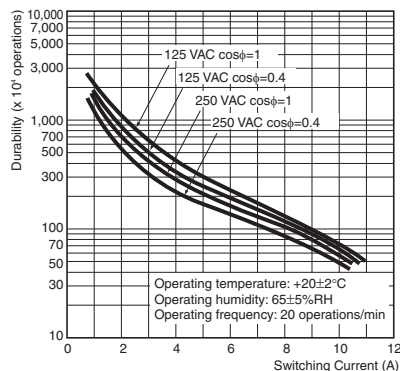
EN60947-5-1

CCC (GB14048.5)

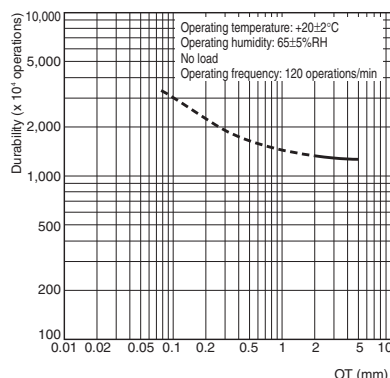
| Applicable category and ratings |
|---------------------------------|
| AC-12 10 A/250 VAC              |

## Engineering Data

### Electrical Durability

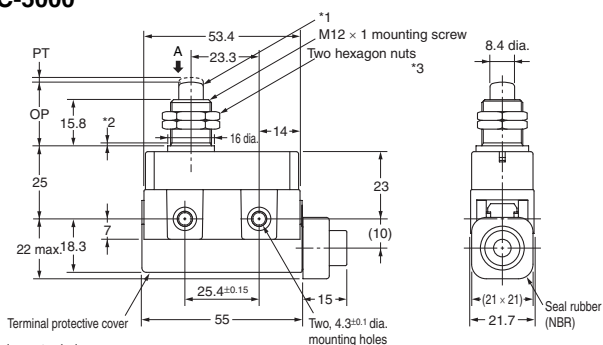


### Mechanical Durability (D4MC-5000)



## Dimensions and Operating Characteristics

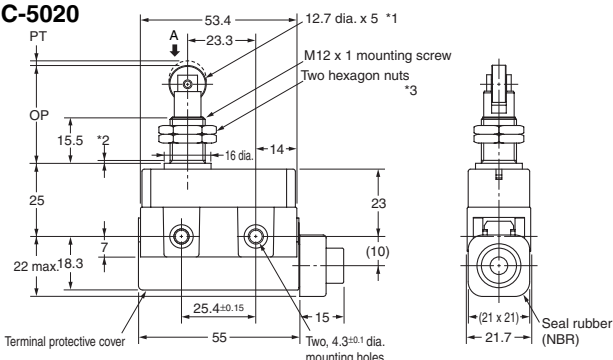
### Panel Mount Plunger D4MC-5000



- \*1. Stainless steel plunger
- \*2. The length of the imperfect threads is 1.5 mm maximum.
- \*3. Thickness: 3 width: 17

Note: Do not use the M12 mounting screw and the case mounting hole at the same time.

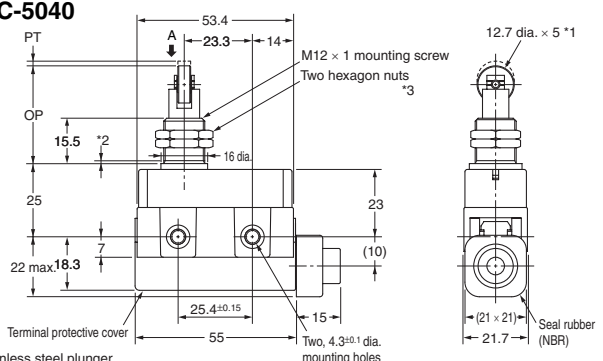
### Panel Mount Roller Plunger D4MC-5020



- \*1. Stainless steel plunger
- \*2. The length of the imperfect threads is 1.5 mm maximum.
- \*3. Thickness: 3 width: 17

Note: Do not use the M12 mounting screw and the case mounting hole at the same time.

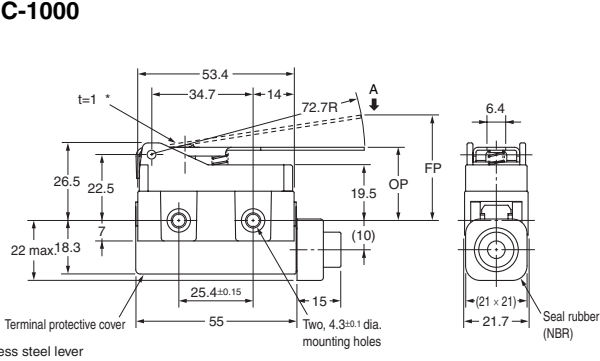
### Panel Mount Crossroller Plunger D4MC-5040



- \*1. Stainless steel plunger
- \*2. The length of the imperfect threads is 1.5 mm maximum.
- \*3. Thickness: 3 width: 17

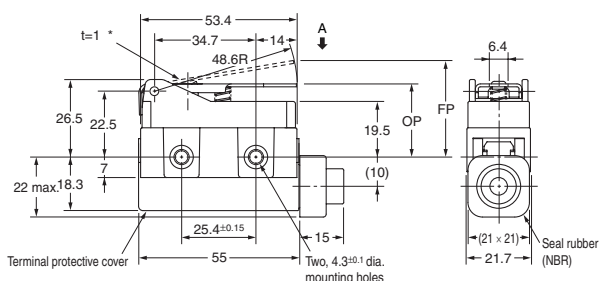
Note: Do not use the M12 mounting screw and the case mounting hole at the same time.

### Hinge Lever D4MC-1000



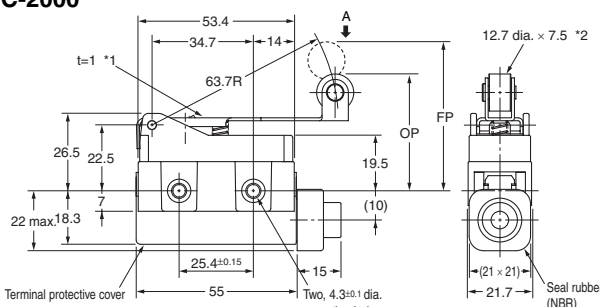
- \* Stainless steel lever

### Short Hinge Lever D4MC-1020



- \* Stainless steel lever

### Hinge Roller Lever D4MC-2000

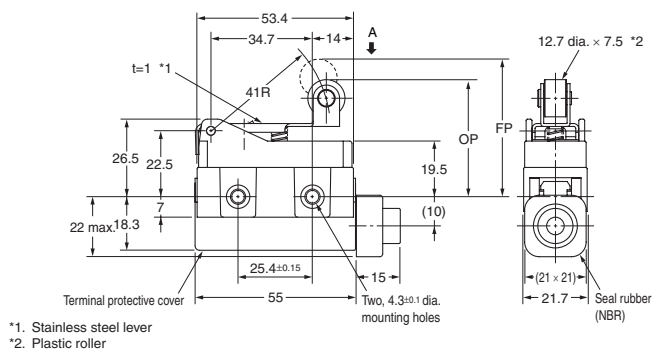


- \*1. Stainless steel lever
- \*2. Plastic roller

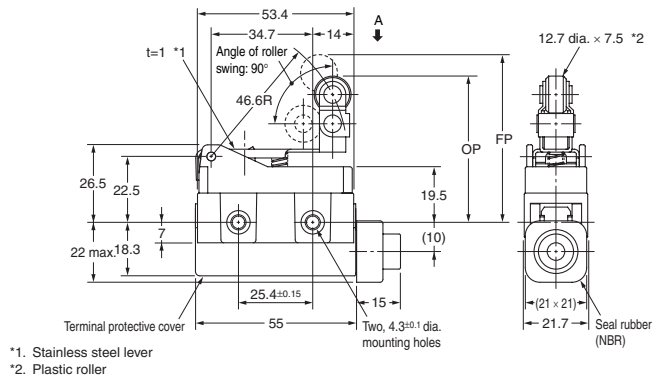
- Note: 1. Unless otherwise specified, a tolerance of  $\pm 0.4$  mm applies to all dimensions.  
 2. Operating characteristics are for when the Switch is operated from direction A.  
 3. Make sure that the permissible OT position is not exceeded.

| Operating Characteristics | Model   | D4MC-5000         | D4MC-5020         | D4MC-5040         | D4MC-1000     | D4MC-1020     | D4MC-2000     |
|---------------------------|---------|-------------------|-------------------|-------------------|---------------|---------------|---------------|
| Operating force           | OF max. | 5.88 N            | 5.88 N            | 5.88 N            | 1.67 N        | 2.55 N        | 1.96 N        |
| Release force             | RF min. | 0.98 N            | 0.98 N            | 0.98 N            | 0.25 N        | 0.34 N        | 0.39 N        |
| Pretravel                 | PT max. | 1.6 mm            | 1.6 mm            | 1.6 mm            | ---           | ---           | ---           |
| Overtravel                | OT min. | 5 mm              | 5 mm              | 5 mm              | 4 mm          | 2.5 mm        | 5 mm          |
| Movement Differential     | MD max. | 0.2 mm            | 0.2 mm            | 0.2 mm            | 3 mm          | 1.7 mm        | 3 mm          |
| Free Position             | FP max. | ---               | ---               | ---               | 36 mm         | 33 mm         | 51 mm         |
| Operating Position        | OP      | 21.8 $\pm$ 1.2 mm | 33.4 $\pm$ 1.2 mm | 33.4 $\pm$ 1.2 mm | 25 $\pm$ 1 mm | 25 $\pm$ 1 mm | 40 $\pm$ 1 mm |

## Short Hinge Roller Lever D4MC-2020



## One-way Action Short Hinge Roller Lever D4MC-3030

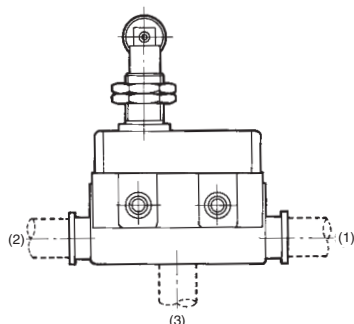


- Note: 1. Unless otherwise specified, a tolerance of  $\pm 0.4$  mm applies to all dimensions.  
 2. Operating characteristics are for when the Switch is operated from direction A.  
 3. Make sure that the permissible OT position is not exceeded.

| Operating characteristics | Model   | D4MC-2020     | D4MC-3030     |
|---------------------------|---------|---------------|---------------|
| Operating force           | OF max. | 2.94 N        | 2.94 N        |
| Release force             | RF min. | 0.39 N        | 0.39 N        |
| Pretravel                 | PT max. | ---           | ---           |
| Overtravel                | OT min. | 2 mm          | 2 mm          |
| Movement Differential     | MD max. | 1.5 mm        | 1.5 mm        |
| Free Position             | FP max. | 47 mm         | 57.2 mm       |
| Operating position        | OP      | 40 $\pm$ 1 mm | 50 $\pm$ 1 mm |

## Molded Terminal Models (Not Approved by UL, CSA, or EN)

Use Switches with molded terminals in locations subject to dirt, dust, oil drops, or high humidity. Molded terminals are available with all D4MC models. Dimensions and operating characteristics are the same as the basic models.



## Suffix by Location of Cable Outlet

| Location of lead outlet<br>(Refer to left figure) | Model           |
|---|-----------------|
|   | COM, NC, and NO |
| (1) Right-hand                                    | D4MC-□□□1       |
| (2) Left-hand                                     | D4MC-□□□2       |
| (3) Underside                                     | D4MC-□□□3       |

Note: To form the model numbers for molded terminals models, add the numbers 1 to 3 in the table above to the end of the model number in Ordering Information on page 1.

## Cables Supplied

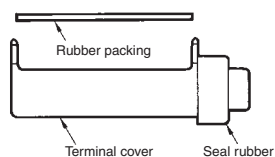
| Specifications                  | Nominal cross-sectional area mm <sup>2</sup> | External diameter mm     | Terminal connections               | Cable length m |
|---------------------------------|--|--------------------------|------------------------------------|----------------|
| Cables                          |  |                          |                                    |                |
| V.C.T.<br>(Vinyl cabtire cable) | 1.25   | 3 conductor<br>10.5 dia. | Black: COM<br>White: NO<br>Red: NC | 1, 3           |

Note: Add the VCT length to the end of the model number when ordering. Consult with your OMRON representative for other types of cables and for cables longer than 3 m.

## How to Order

Example:  
 Standard type: D4MC-5020  
 Location of cable outlet: Underside  
 Length of cable: 1 m (V.C.T. lead)  
 When placing your order for the above Switch specify the model number as D4MC-5023 VCT 1M

## Terminal Protective Cover, Seal Rubber, and Rubber Packing (The Switch is equipped with these 3 items as a standard.)



- ZC Terminal Cover (Product code: ZC55-0002H)
- ZC Seal Rubber (Product code: SC-1404C)
- ZC Rubber Packing (Product code: ZC55-0003F)

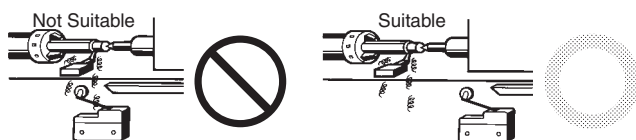
## Safety Precautions

Refer to *Safety Precautions for All Limit Switches*.

### Precautions for Use

#### Operating Environment

- Seal material may deteriorate if a Switch is used outdoor or where subject to special cutting oils, solvents, or chemicals. Always appraise performance under actual application conditions and set suitable maintenance and replacement periods.
- Install Switches where they will not be directly subject to cutting chips, dust, or dirt. The Actuator and Switch must also be protected from the accumulation of cutting chips or sludge.



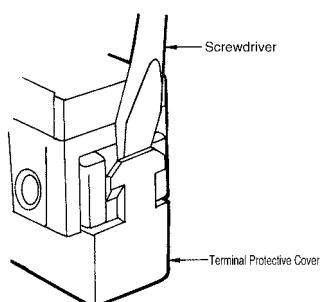
- Constantly subjecting a Switch to vibration or shock can result in wear, which can lead to contact interference with contacts, operation failure, reduced durability, and other problems. Excessive vibration or shock can lead to false contact operation or damage. Install Switches in locations not subject to shock and vibration and in orientations that will not produce resonance.
- The Switches have physical contacts. Using them in environments containing silicon gas will result in the formation of silicon oxide (SiO<sub>2</sub>) due to arc energy. If silicon oxide accumulates on the contacts, contact interference can occur. If silicon oil, silicon filling agents, silicon cables, or other silicon products are present near the Switch, suppress arcing with contact protective circuits (surge killers) or remove the source of silicon gas.

#### Operating

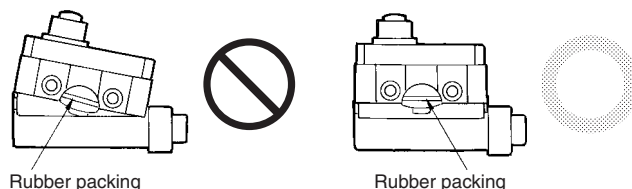
Excessive dog angle, operating speed, or overtravel (OT) may damage the actuator. Check that OT has a sufficient margin. The actual OT should be rated OT × 0.7 to 1.

#### Handling

- Do not expose the Switch to water exceeding +60°C or use it in steam.
- Do not use the Switch in oil or water.
- An 8.5-dia. to 10.5-dia. cable can be applied as seal rubber for the lead wire outlet. (Use two- or three-core cable of VCT1.25 mm<sup>2</sup>.)
- When detaching the Terminal Protective Cover, insert a screwdriver and apply a force in the opening direction. Do not use excess force to remove the cover. Doing so may cause deformation in the fitting section and reduce the holding force.



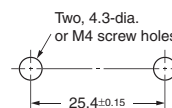
- When mounting the Terminal Protective Cover to the case, align the cover on the case and then press the cover down to mount it firmly. If the cover is pressed down in an inclined position, rubber packing will deform and thus affect the sealing capability.



#### Mounting

- When mounting the Switch with screws on a side surface, fasten the Switch with M4 screws and use washers, spring washers, etc., to ensure secure mounting.

##### Mounting Holes

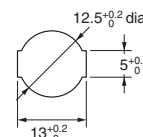
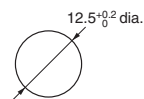


- When mounting the Panel Mount-type Switch (D4MC-5000, D4MC-5020, or D4MC-5040) with screws on a side surface, remove the hexagonal nuts from the actuator.
- When mounting the panel mount type on a panel, be careful not to tighten to an excessive torque. Tightening the screws to a torque exceeding 4.91 N-m will cause the plunger to fail.

##### Mounting Hole Dimensions

D4MC-5000

D4MC-5020, D4MC-5040



#### Tightening Torque

A loose screw may cause malfunctions. Be sure to tighten each screw to the proper tightening torque as shown in the table.

| No. | Type                 | Appropriate tightening torque |
|-----|----------------------|-------------------------------|
| (1) | Terminal screw       | 0.78 to 1.18 N·m              |
| (2) | Panel mounting screw | 2.94 to 4.92 N·m              |
| (3) | Side mounting screw  | 1.18 to 1.47 N·m              |

## Terms and Conditions Agreement

### Read and understand this catalog.

Please read and understand this catalog before purchasing the products. Please consult your OMRON representative if you have any questions or comments.

### Warranties.

(a) Exclusive Warranty. Omron's exclusive warranty is that the Products will be free from defects in materials and workmanship for a period of twelve months from the date of sale by Omron (or such other period expressed in writing by Omron). Omron disclaims all other warranties, express or implied.

(b) Limitations. OMRON MAKES NO WARRANTY OR REPRESENTATION, EXPRESS OR IMPLIED, ABOUT NON-INFRINGEMENT, MERCHANTABILITY OR FITNESS FOR A PARTICULAR PURPOSE OF THE PRODUCTS. BUYER ACKNOWLEDGES THAT IT ALONE HAS DETERMINED THAT THE PRODUCTS WILL SUITABLY MEET THE REQUIREMENTS OF THEIR INTENDED USE.

Omron further disclaims all warranties and responsibility of any type for claims or expenses based on infringement by the Products or otherwise of any intellectual property right. (c) Buyer Remedy. Omron's sole obligation hereunder shall be, at Omron's election, to (i) replace (in the form originally shipped with Buyer responsible for labor charges for removal or replacement thereof) the non-complying Product, (ii) repair the non-complying Product, or (iii) repay or credit Buyer an amount equal to the purchase price of the non-complying Product; provided that in no event shall Omron be responsible for warranty, repair, indemnity or any other claims or expenses regarding the Products unless Omron's analysis confirms that the Products were properly handled, stored, installed and maintained and not subject to contamination, abuse, misuse or inappropriate modification. Return of any Products by Buyer must be approved in writing by Omron before shipment. Omron Companies shall not be liable for the suitability or unsuitability or the results from the use of Products in combination with any electrical or electronic components, circuits, system assemblies or any other materials or substances or environments. Any advice, recommendations or information given orally or in writing, are not to be construed as an amendment or addition to the above warranty.

See <http://www.omron.com/global/> or contact your Omron representative for published information.

### Limitation on Liability; Etc.

OMRON COMPANIES SHALL NOT BE LIABLE FOR SPECIAL, INDIRECT, INCIDENTAL, OR CONSEQUENTIAL DAMAGES, LOSS OF PROFITS OR PRODUCTION OR COMMERCIAL LOSS IN ANY WAY CONNECTED WITH THE PRODUCTS, WHETHER SUCH CLAIM IS BASED IN CONTRACT, WARRANTY, NEGLIGENCE OR STRICT LIABILITY.

Further, in no event shall liability of Omron Companies exceed the individual price of the Product on which liability is asserted.

### Suitability of Use.

Omron Companies shall not be responsible for conformity with any standards, codes or regulations which apply to the combination of the Product in the Buyer's application or use of the Product. At Buyer's request, Omron will provide applicable third party certification documents identifying ratings and limitations of use which apply to the Product. This information by itself is not sufficient for a complete determination of the suitability of the Product in combination with the end product, machine, system, or other application or use. Buyer shall be solely responsible for determining appropriateness of the particular Product with respect to Buyer's application, product or system. Buyer shall take application responsibility in all cases.

NEVER USE THE PRODUCT FOR AN APPLICATION INVOLVING SERIOUS RISK TO LIFE OR PROPERTY OR IN LARGE QUANTITIES WITHOUT ENSURING THAT THE SYSTEM AS A WHOLE HAS BEEN DESIGNED TO ADDRESS THE RISKS, AND THAT THE OMRON PRODUCT(S) IS PROPERLY RATED AND INSTALLED FOR THE INTENDED USE WITHIN THE OVERALL EQUIPMENT OR SYSTEM.

### Programmable Products.

Omron Companies shall not be responsible for the user's programming of a programmable Product, or any consequence thereof.

### Performance Data.

Data presented in Omron Company websites, catalogs and other materials is provided as a guide for the user in determining suitability and does not constitute a warranty. It may represent the result of Omron's test conditions, and the user must correlate it to actual application requirements. Actual performance is subject to the Omron's Warranty and Limitations of Liability.

### Change in Specifications.

Product specifications and accessories may be changed at any time based on improvements and other reasons. It is our practice to change part numbers when published ratings or features are changed, or when significant construction changes are made. However, some specifications of the Product may be changed without any notice. When in doubt, special part numbers may be assigned to fix or establish key specifications for your application. Please consult with your Omron's representative at any time to confirm actual specifications of purchased Product.

### Errors and Omissions.

Information presented by Omron Companies has been checked and is believed to be accurate; however, no responsibility is assumed for clerical, typographical or proofreading errors or omissions.

## X-ON Electronics

Largest Supplier of Electrical and Electronic Components

*Click to view similar products for [Limit Switches](#) category:*

*Click to view products by [Omron](#) manufacturer:*

Other Similar products are found below :

[5ML1-E1](#) [5ML31](#) [LZG1](#) [LZL1-6C](#) [622EN114-R](#) [622EN18-6](#) [622EN224-6B](#) [622EN230](#) [622EN237-R](#) [622EN69-3](#) [622EN85-RB](#) [MA-10019](#)  
[6PA109](#) [7LS51](#) [83547001](#) [83725002](#) [83830001](#) [83840701](#) [83841001](#) [83881140](#) [8AS42](#) [8LS10](#) [8LS125-4PG](#) [8LS152-4PGN20](#) [914CE16-](#)  
[3A](#) [914CE3-3L1](#) [915PA10](#) [91MCE16-P2O](#) [924CE16-Y3](#) [924CE1-S6](#) [924CE1-T25A](#) [924CE1-T3](#) [924CE1-T9A](#) [924CE2-T9](#) [924CE31-Y20-](#)  
[X5](#) [924CE31-Y3L1](#) [GL-10054](#) [GLAB26J2B](#) [GLDB03C-6](#) [GLDC05C](#) [GLZ324](#) [H3141CAKAA](#) [RDI-G-L5B](#) [DD-10000](#) [DT-2R3-A7](#)  
[14CE16-3N28](#) [14CE18-N15](#) [151ML3-E1](#) [E3102BAAAA](#) [BFL1-AW1-S](#)