

Compact Limit Switch Style with Universal Power Supply

- FET output allows for solid state switching of AC or DC
- Universal AC/DC power supply
- Choose cable or connector types
- Sensitivity adjustment standard on all models
- Wide selection of timing options
- UL/CE/CSA certified
- NEMA 4X, IP67 rated



Ordering Information

■ SENSORS

Method of detection			Through-beam	Polarized retroreflective	Diffuse reflective	
Sensing distance			25 m (82 ft)	5 m (16.4 ft)	1 m (3.3 ft)	2 m (6.6 ft)
Output	Connection	Timer	Part number			
Relay	300-V cable	No	E3JU-25M4-3	E3JU-R5M4-3	E3JU-D1M4-3	E3JU-D2M4-3
	600-V cable		E3JU-25M4-6	E3JU-R5M4-6	E3JU-D1M4-6	E3JU-D2M4-6
	300-V cable	Yes	E3JU-25M4T-3	E3JU-R5M4T-3	E3JU-D1M4T-3	E3JU-D2M4T-3
	600-V cable		E3JU-25M4T-6	E3JU-R5M4T-6	E3JU-D1M4T-6	E3JU-D2M4T-6
FET	300-V cable	No	E3JU-25P4-3	E3JU-R5P4-3	E3JU-D1P4-3	E3JU-D2P4-3
	600-V cable		E3JU-25P4-6	E3JU-R5P4-6	E3JU-D1P4-6	E3JU-D2P4-6
	300-V cable	Yes	E3JU-25P4T-3	E3JU-R5P4T-3	E3JU-D1P4T-3	E3JU-D2P4T-3
	600-V cable		E3JU-25P4T-6	E3JU-R5P4T-6	E3JU-D1P4T-6	E3JU-D2P4T-6
Relay	MiniChange® Connector	No	E3JU-25M4-MN1	E3JU-R5M4-MN1	E3JU-D1M4-MN1	E3JU-D2M4-MN1
		Yes	E3JU-25M4T-MN1	E3JU-R5M4T-MN1	E3JU-D1M4T-MN1	E3JU-D2M4T-MN1
FET	MiniChange® Connector	No	E3JU-25P4-MN1	E3JU-R5P4-MN1	E3JU-D1P4-MN1	E3JU-D2P4-MN1
		Yes	E3JU-25P4T-MN1	E3JU-R5P4T-MN1	E3JU-D1P4T-MN1	E3JU-D2P4T-MN1

■ ACCESSORIES (ORDER SEPARATELY, NOT INCLUDED WITH SENSOR)

Description	Part number
Mounting bracket	E39-LU1
Mounting bracket for E39-R1 reflector	E39-L7
Large corner cube reflector	81 x 60 x 7 mm (3.19 x 2.36 x 0.28 inch) E39-R2
Small corner cube reflectors	38 x 22 x 11 mm (1.50 x 0.87 x 0.43 inch) E39-R3
	23 x 14 x 5 mm (0.91 x 0.55 x 0.19 inch) E39-R4
Adhesive backed reflectors	35 x 10 x 0.7 mm (1.38 x 0.39 x 0.03 inch) E39-RSA
	40 x 35 x 0.7 mm (1.57 x 1.38 x 0.03 inch) E39-RSB

REPLACEMENT PARTS

Description	Part number
Reflector (supplied with retroreflective sensors)	E39-R1

Specifications

Part number	E3JU-25□4□-□	E3JU-R5□4□-□	E3JU-D1□4□-□	E3JU-D2□4□-□	
Method of detection	Through-beam type	Polarized retroreflective	Diffuse reflective		
Supply voltage	24 to 240 VAC ±10%, 50/60 Hz 12 to 240 VDC, 10% max. peak-to-peak ripple				
Power consumption	Emitter: 2 W max. Receiver: 3.5 W max.	3.5 W max.	4 W max.		
Sensing distance	25 m (82 ft)	5 m (16.4 ft) with E39-R1 reflector (supplied) 5.5 m (18.0 ft) with E39-R2 3.3 m (10.8 ft) with E39-R3 1.5 m (4.9 ft) with E39-R4 0.8 m (2.6 ft) with E39-RSB 0.5 m (1.6 ft) with E39-RSA	1 m (3.3 ft) Kodak gray card white side 90% reflective	2 m (6.6 ft) Kodak gray card white side 90% reflective	
Light source	Infrared LED (950 nm)	Polarized red LED (660 nm)	Infrared LED (950 nm)		
Detectable object type	Opaque, 16 mm (0.63 in) minimum	Opaque, 56 mm (2.2 in) minimum with E39-R1	Opaque and translucent materials		
Operation mode	Light-ON/Dark-ON, switch selectable				
Sensitivity adjustment	Adjustable				
Mutual interference protection	Not provided	Provided			
Control output	Contact	Type	SPDT relay		
		Max. load	3 A, 250 VAC; 30 VDC rated (p.f.=1)		
		Min. load	10 mA, 5 VDC minimum		
		Response time	Models without timer and timer models set to No Timer: 12 ms ON (6 ms typ.), 12 ms OFF (5 ms typ.) Models with timer: 0.1 to 10 sec (adjustable)		
	Solid state	Type	Power MOSFET relay		
		Max. load	400 mA AC/DC (600 mA up to 40° C) 240 VAC max., 100 VDC max.		
Timer functions	Type	ON-delay, OFF-delay, ON/OFF delay, one-shot, delayed one-shot; switch selectable			
	Range	0.1 to 10 seconds			
Circuit protection	Not provided				
Indicators	Light incident (red LED); output operation (yellow LED); stability (green LED)				
Materials	Lens	Plastic: PMMA			
	Case	Plastic: Case-ABS/Polycarbonate blend, Cover-Polycarbonate			
Mounting	Two M5 front-mounting through holes. M30 externally threaded base and 1/2-14 NPSM internal threads for cable type: conduit torque not to exceed 100 inch-lbs.				
Connections	Prewired	(-6) 600 V rated, AWG 20: 2-wire, 4-wire cables; AWG 21: 5-wire cables; (-3) 300 V rated; AWG 22: 4-wire, 5-wire cables			
	Connector	MiniChange® style connector: 2, 4, and 5 pins			

(This table continues on the next page.)

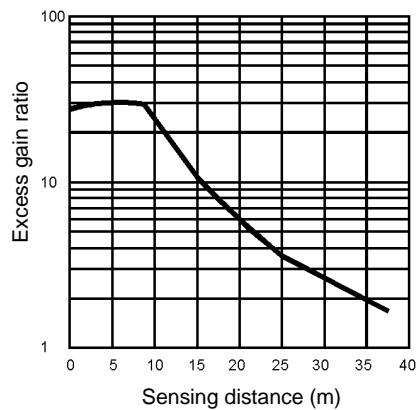
Specifications Table – continued from previous page

Part number		E3JU-25□4□-□	E3JU-R5□4□-□	E3JU-D1□4□-□	E3JU-D2□4□-□
Method of detection		Through-beam type	Polarized retroreflective	Diffuse reflective	
Weight	Prewired	Emitter: (-6): 260 g (9.1 oz); (-3): 180 g (6.3 oz)	(-6): 300 g (10.5 oz); (-3): 220 g (7.7 oz)		(-6): 315 g (11.03 oz); (-3): 235 g (8.23 oz)
	Connector	Receiver (-6): 300 g (10.5 oz); (-3): 220 g (7.7 oz)	(-MN1): 130 g (4.55 oz)		(-MN1): 145 g (5.08 oz)
Enclosure ratings	NEMA	NEMA 1, 2, 3, 4X, 5, 12			
	IEC 144	IP67			
Approvals	UL	Listing E41515			
	CSA	Certification LR45951			
	CE	IEC947-5-2, EN50082-2/EN61000-4-2, -4, ENV50140, ENV50204, ENV50141; EN50081-2/EN55011			
Ambient temperature	Operating	-25°C to 55°C (-13°F to 131°F)			
	Storage	-40°C to 70°C (-40°F to 158°F)			

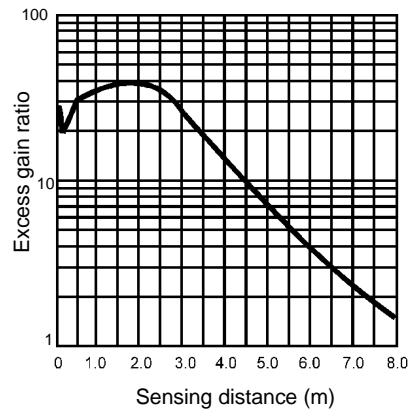
Engineering Data

■ EXCESS GAIN

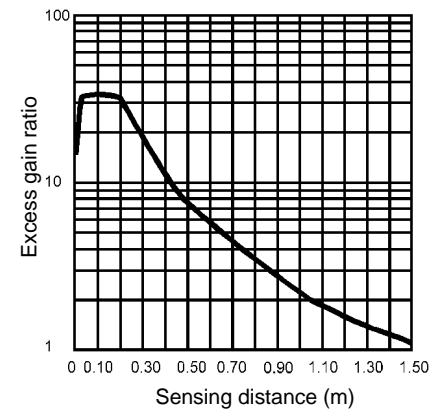
E3JU-25□4□-□



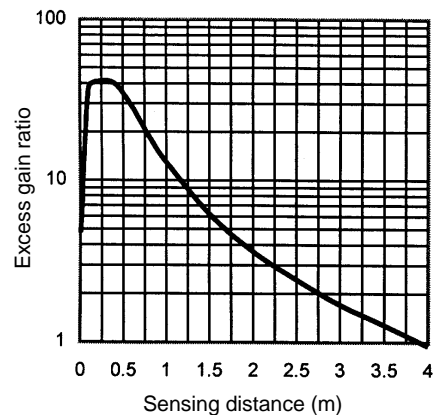
E3JU-R5□4□-□



E3JU-D1□4□-□



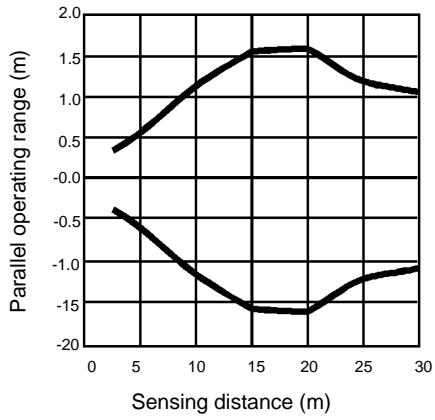
E3JU-D2□4□-□



■ OPERATING RANGE

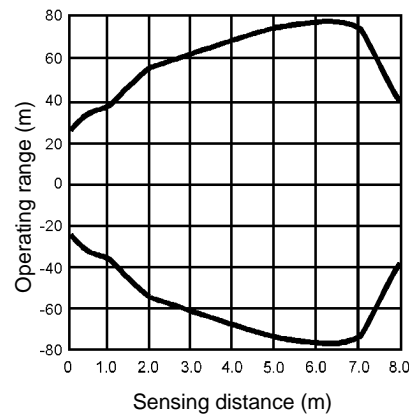
Parallel Operating Range (Typical)

E3JU-25□4□-□

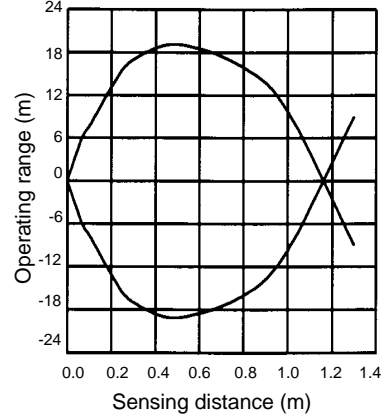


Operating Range (Typical)

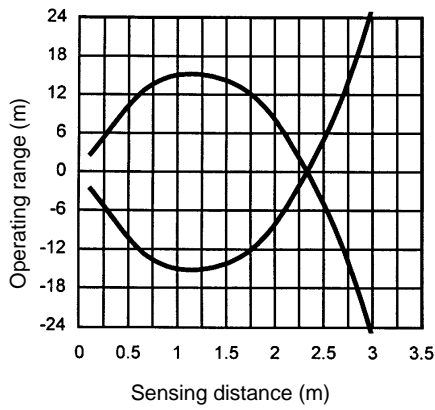
E3JU-R5□4□-□



E3JU-D1□4□-□



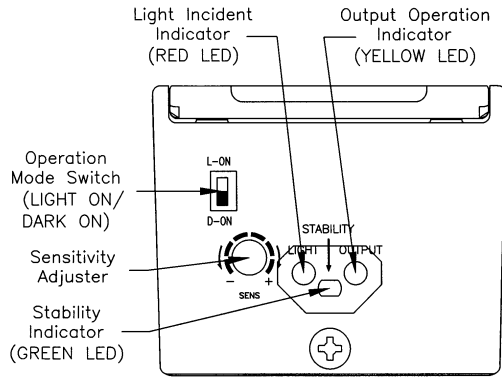
E3JU-D2□4□-□



Nomenclature

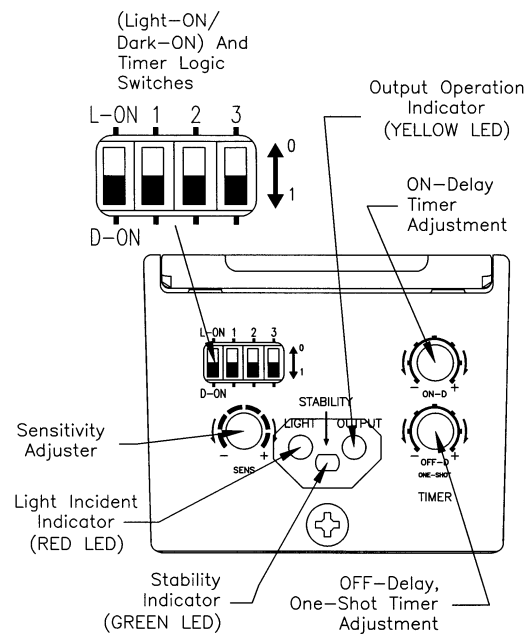
■ SENSOR WITHOUT TIMER

E3JU-□□□4-□



■ SENSOR WITH TIMER

E3JU-□□□4T-□

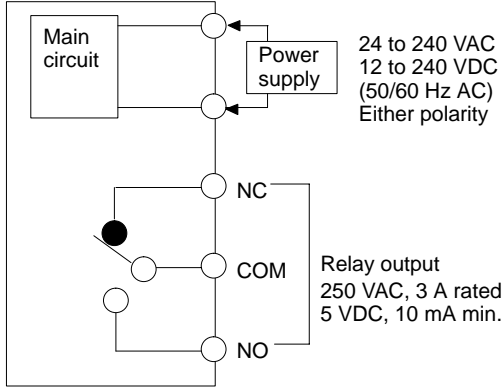


TIMER FUNCTION SWITCH SETTINGS	SW		
	1	2	3
NO TIMER	0	0	0
ON-DELAY (ON-DLY)	0	1	0
OFF-DELAY (OFF-DLY)	1	0	0
ON-DLY + OFF-DLY	1	1	0
ONE-SHOT (O.S.)	1	0	1
O.S. NON-RETRIG	0	1	1
ON-DLY + O.S.	1	1	1
ON-DLY + O.S. NON-RETRIG	0	0	1

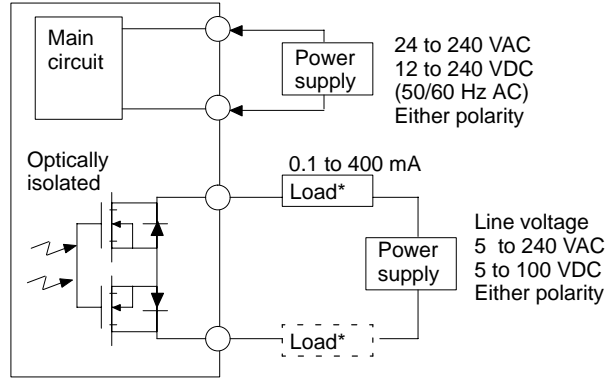
Operation

OUTPUT CIRCUIT DIAGRAMS

Relay Output Types E3JU-□□M□□-□



Solid State Relay Output Types E3JU-□□P□□-□

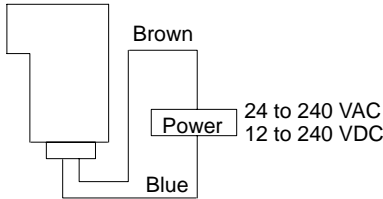


* Load can be hooked up on either side of the power supply.

CONNECTIONS

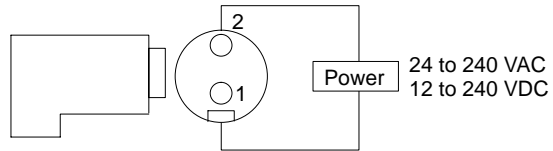
Prewired types

Through-beam Emitter Types E3JU-25L-3 E3JU-25L-6

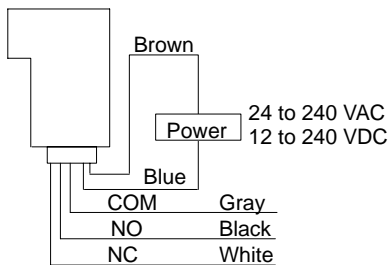


Connector Types

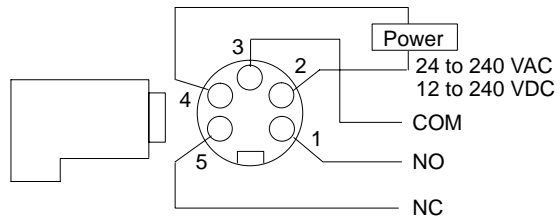
Through-beam Emitter Type E3JU-25L-MN1



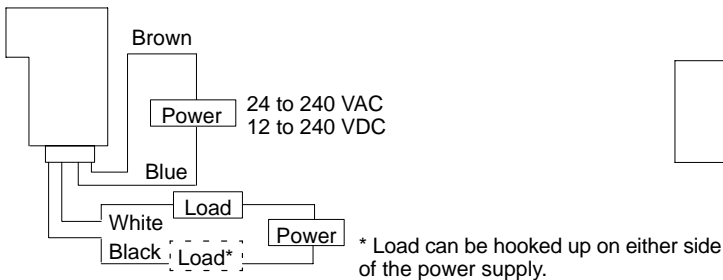
Relay Output Types E3JU-□□M□□-3 E3JU-□□M□□-6



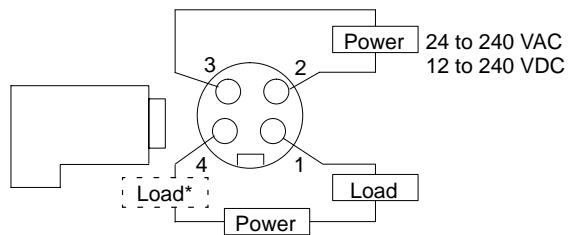
Relay Output Types E3JU-□□M□□-MN1



Solid State Relay Output Types E3JU-□□P□□-3 E3JU-□□P□□-6



Solid State Relay Output Types E3JU-□□P□□-MN1



■ TIMING CHART

TIMER FUNCTIONS	TIMER SWITCH SETTINGS				t1: ON-DELAY TIME t2: OFF-DELAY AND ONE-SHOT TIME	LIGHT INCIDENT INDICATOR (RED LED)	INCIDENT INTERRUPTED	ON OFF
	D-ON=1 L-ON=0	1	2	3				
NO TIMER	0	0	0	0	LIGHT-ON MODE	OUTPUT & OUTPUT INDICATOR (YELLOW LED)	ON	OFF
	1	0	0	0	DARK-ON MODE	OUTPUT & OUTPUT INDICATOR (YELLOW LED)	ON	OFF
ON-DELAY	0	0	1	0	LIGHT-ON MODE	OUTPUT & OUTPUT INDICATOR (YELLOW LED)	ON	OFF
	1	0	1	0	DARK-ON MODE	OUTPUT & OUTPUT INDICATOR (YELLOW LED)	ON	OFF
OFF-DELAY	0	1	0	0	LIGHT-ON MODE	OUTPUT & OUTPUT INDICATOR (YELLOW LED)	ON	OFF
	1	1	0	0	DARK-ON MODE	OUTPUT & OUTPUT INDICATOR (YELLOW LED)	ON	OFF
ON-DELAY +OFF-DELAY	0	1	1	0	LIGHT-ON MODE	OUTPUT & OUTPUT INDICATOR (YELLOW LED)	ON	OFF
	1	1	1	0	DARK-ON MODE	OUTPUT & OUTPUT INDICATOR (YELLOW LED)	ON	OFF
ONE SHOT	0	1	0	1	LIGHT-ON MODE	OUTPUT & OUTPUT INDICATOR (YELLOW LED)	ON	OFF
	1	1	0	1	DARK-ON MODE	OUTPUT & OUTPUT INDICATOR (YELLOW LED)	ON	OFF
ONE SHOT NON-RETRIG	0	0	1	1	LIGHT-ON MODE	OUTPUT & OUTPUT INDICATOR (YELLOW LED)	ON	OFF
	1	0	1	1	DARK-ON MODE	OUTPUT & OUTPUT INDICATOR (YELLOW LED)	ON	OFF
ON-DELAY +ONE SHOT	0	1	1	1	LIGHT-ON MODE	OUTPUT & OUTPUT INDICATOR (YELLOW LED)	ON	OFF
	1	1	1	1	DARK-ON MODE	OUTPUT & OUTPUT INDICATOR (YELLOW LED)	ON	OFF
ON-DELAY +ONE SHOT NON-RETRIG	0	0	0	1	LIGHT-ON MODE	OUTPUT & OUTPUT INDICATOR (YELLOW LED)	ON	OFF
	1	0	0	1	DARK-ON MODE	OUTPUT & OUTPUT INDICATOR (YELLOW LED)	ON	OFF

■ SENSITIVITY ADJUSTMENT (DIFFUSE REFLECTIVE SENSORS)

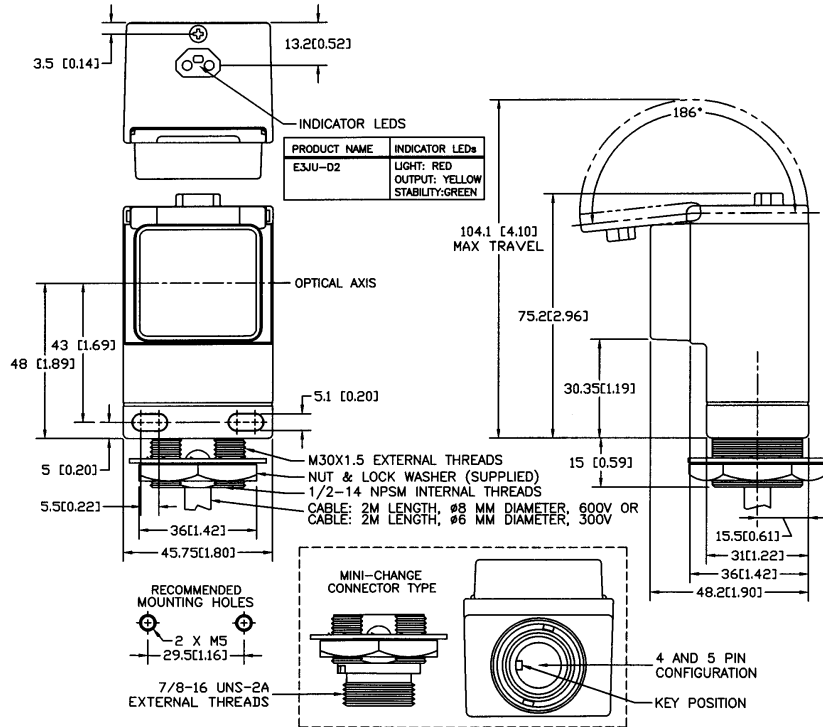
Steps	Step 1	Step 2	Step 3
Function	Determine position A	Determine position B	Adjust to optimum setting
Sensing condition			
Sensitivity adjuster			
Indicators	 ON LIGHT Incident Indicator (red)	 OFF LIGHT Incident Indicator (red)	 OFF LIGHT Incident Indicator (red)
Procedure	Place target at the desired sensing distance. Set sensitivity adjuster to the minimum scale position, and gradually increase sensitivity by turning the sensitivity adjuster clockwise until the Light Incident indicator (red LED) turns ON. Position A designates the point at which the LED has turned ON.	Remove the target. Starting from the maximum scale position, gradually decrease sensitivity by turning the sensitivity adjuster counterclockwise until the Light Incident indicator (red LED) turns OFF. Position B designates the point at which the LED has turned OFF.	Set the sensitivity indicator to the position between Positions A and B (in some cases, Positions A and B are opposite of the above example). To insure stable sensor operation, the green stability indicator should be fully "on" in both the sensing and non-sensing conditions.

Dimensions

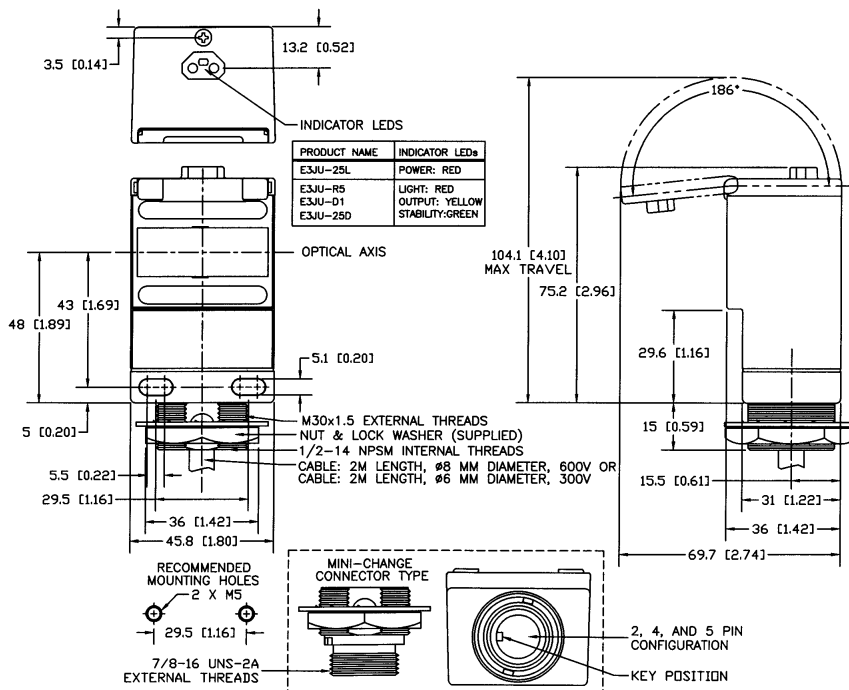
Unit: mm (inch)

■ SENSORS

E3JU-D2□□□□-□

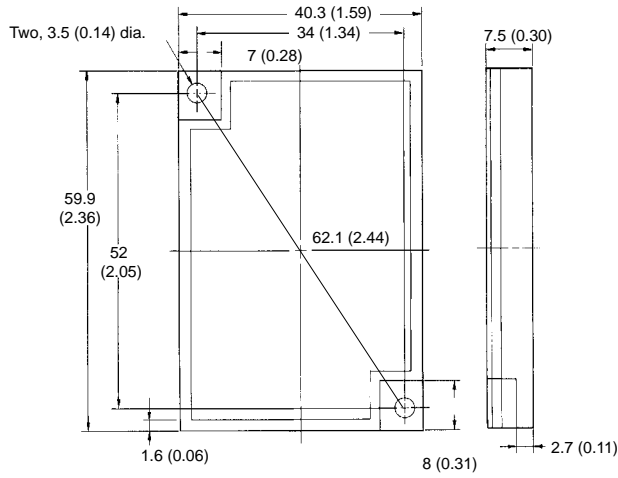
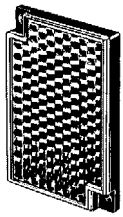


E3JU-[R5, 25, D1]□□□□-□

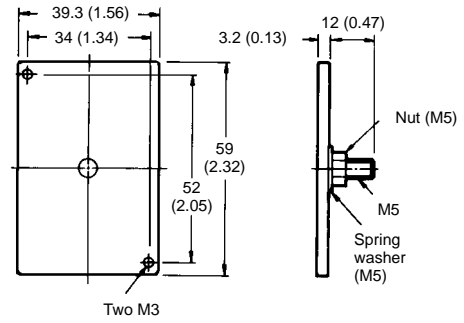


■ CORNER CUBE REFLECTORS

E39-R1 Reflector
(Included with E3JU-R□□□□-□)

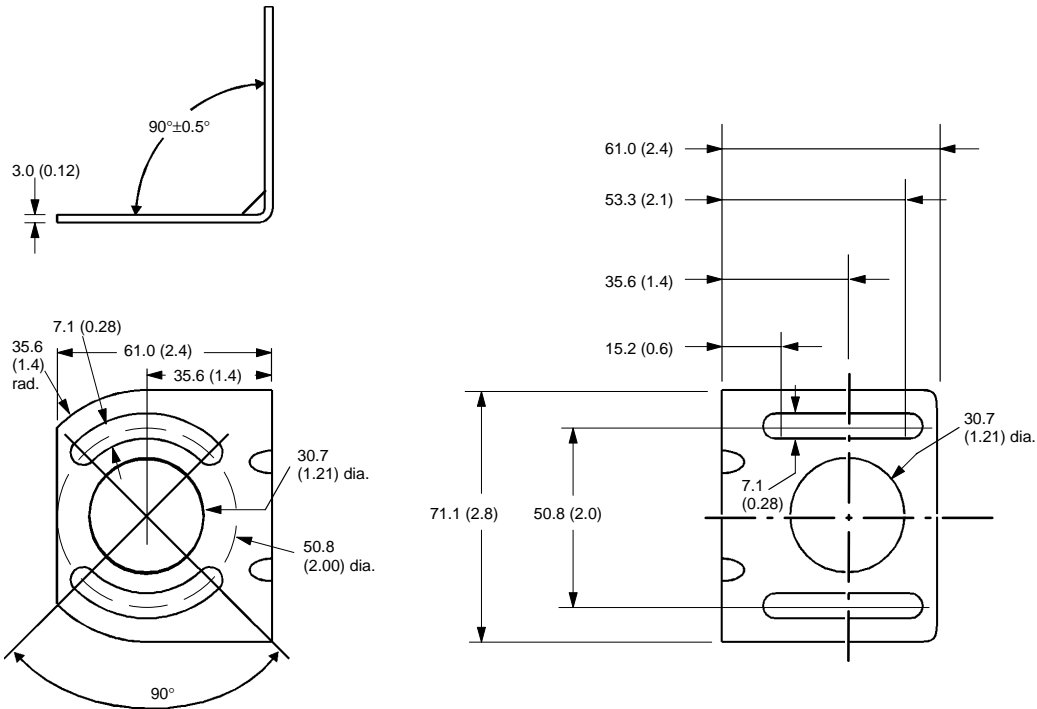


E39-L7 R1 Reflector Adapter
for E39-R1 Reflector
(Order Separately)



■ MOUNTING BRACKET

E39-LU1 (Order Separately)



MiniChange® Connector Cables

■ BRAD HARRISON MINICHANGE® CONNECTOR CABLES

Connector type	Applicable sensors	Length	Straight	Right angle
5-pole female connectors	E3JU-□□M4□-MN1	6 foot	41307	41307-90
		12 foot	41308	41308-90
		20 foot	41322	41322-90
4-pole female connectors	E3JU-□□P4□-MN1	6 foot	41108	41108-90
		12 foot	41109	41109-90
		20 foot	41177	41177-90
2-pole female connectors	E3JU-25□□-MN1 emitter	6 foot	40711	40711-90
		12 foot	40712	40712-90
		20 foot	40748	40748-90

Note: The above part numbers represent Brad Harrison (Daniel Woodhead) part numbers not Omron part numbers. Please contact your local Omron distributor for future availability by Omron and other equivalent Connector Cables.

Precautions



WARNING

These photoelectric sensors should not be used in personal safety applications. Using the sensor as a safety device may cause an unsafe condition that could lead to serious injury or death.



CAUTION

Cover Screw Torque:
The torque of the cover screw must not exceed 3.5 kg•cm (3 in•lb). Over-torquing will cause the plastic parts to crack.

■ HIGH-VOLTAGE LINES

Do not place sensor power supply or signal lines within the same conduit as high-voltage power lines.

■ VOLTAGE RATINGS

Do not exceed rated supply voltage, ripple percent (for DC models), or load current limits.

■ AMBIENT LIGHTING

Do not install sensor in direct sunlight, or other sources of strong ambient light.

■ ENVIRONMENTAL CONDITIONS

Do NOT install sensor in areas that have any of these conditions:

- High humidity, or where condensation would result.
- Corrosive gas.
- High vibration or shock.

■ POWER SUPPLY

If a switching power supply is used, or when using with an inverter or servomotor, ground the FG (frame ground) and G (ground) terminals on the power supply for proper operation to avoid damaging the sensor.

■ WATER EXPOSURE

Do not use the sensor where it may be immersed, is outdoors, or exposed to rain.

■ PROPER MOUNTING SCREWS

Use M5 screws and washers to mount sensor and bracket.

■ MECHANICAL SHOCK

Avoid mechanical shock during installation which may damage the housing.

■ CONNECTOR

- When connecting or disconnecting the connector, hold the connector cover to avoid tension on housing.
- Tighten connector only by hand. Do not use tools, which may damage the connector.
- Always disconnect power before connecting or disconnecting the connector.
- Be sure that the connector is tightened securely. If this is not done, the sensor enclosure rating may be reduced, or the connector may loosen and affect the enclosure rating.

NOTE: DIMENSIONS SHOWN ARE IN MILLIMETERS. To convert millimeters to inches divide by 25.4.

OMRON[®]

OMRON ELECTRONICS, INC.

One East Commerce Drive
Schaumburg, IL 60173

1-800-55-OMRON

OMRON CANADA, INC.

885 Milner Avenue
Scarborough, Ontario M1B 5V8

416-286-6465

X-ON Electronics

Largest Supplier of Electrical and Electronic Components

Click to view similar products for [Sensor Fixings & Accessories](#) category:

Click to view products by [Omron](#) manufacturer:

Other Similar products are found below :

[F03-01](#) [SUS304 BINIL](#) [8000-5130](#) [FH-AP1](#) [PH-1-10M](#) [PH-1-20M](#) [PH-2-30M](#) [AC201](#) [R4](#) [ADI-LC3S](#) [EC18-WELL](#) [PC-15015](#) [K35-4](#) [A-1923](#) [SS-12143](#) [STA12](#) [AP4-T](#) [PH-1-50M](#) [R6](#) [D01051301](#) [43912557-020](#) [MF-1 D=3.2](#) [BGN-035](#) [E39-L7](#) [ZX-SB11](#) [D01070602](#) [606072](#) [606075](#) [Y92ES12PVC4A10ML](#) [Y92ES12PVC4S5ML](#) [SA9Z-F11](#) [Z49-SF1](#) [ZFV-XMF2](#) [E4R-R12A-CS3M010](#) [28810-2](#) [ZX-SW11E V3](#) [CCS-PL-LDR2-70](#) [E4R-R12A-CS3M020](#) [BS-1T CHITAN](#) [F03-01 CHITAN](#) [CCS-PD2-1012](#) [ZX-SFW11E V3](#) [PH-2-90M](#) [PH-2-5M](#) [XMLZL008](#) [AC244](#) [28810-1](#) [PH-1-40M](#) [SS-12225](#) [32043-500](#) [81532111](#)