

Channel ACTION ALERT!

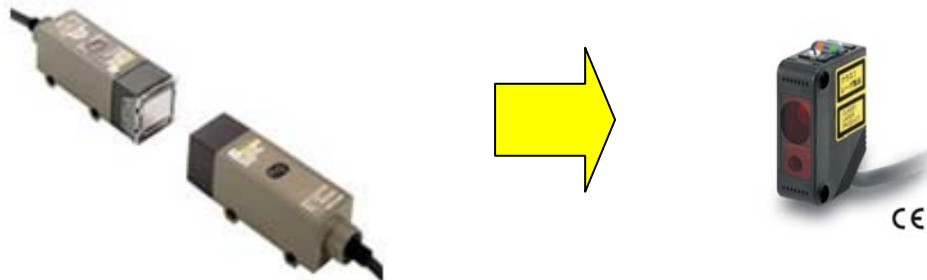
OMRON

NO: PH-133
DATE: June 2010

PRODUCT: NSH Hand-Held HMI
TYPE: Discontinuation Notice

E3L Laser Photoelectric Sensors were Discontinued March 2009; Use E3Z-L as a Conditional Replacement

Effective immediately the E3L Laser Photoelectric Sensor is no longer available



As of March 31, 2009, all models of the E3L Laser Photoelectric Sensor are discontinued due to non-RoHS compliant components; the E3Z-L Laser Photoelectric Sensor can be used as a conditional replacement. The attached list provides information on conditional replacements; however, new mounting and full testing of the replacement in the application is required.

Applicable Models

Item	Discontinued Product		Recommended Replacement	Comments
Sensor	E3L-DS50B4 2M	>	E3Z-LL81 2M	
	E3L-DS50E4 2M	>	E3Z-LL61 2M	
	E3L-DS50E4-50 2M	>	E3Z-LL61 2M*	
	E3L-2B4 2M	>	E3Z-LT81 2M	
	E3L-2B4-50 2M	>	E3Z-LT81 2M*	
	E3L-2B4-50-P1 2M	>	E3Z-LT81-M1J 0.3M*	
	E3L-2DB4-50-P1	>	N/A	Replacement Detector
	E3L-2DC4 2M	>	N/A	Replacement Detector
	E3L-2DE4-50 2M	>	N/A	Replacement Detector
	E3L-2E4 2M	>	E3Z-LT61 2M	
	E3L-2E4-50 2M	>	E3Z-LT61 2M*	
	E3L-2LB4-50-P1	>	N/A	Replacement Light Source
	E3L-2LE4-50 2M	>	N/A	Replacement Light Source
	E3Z-2LRC4 2M	>	E3Z_LT16 2M	
	E3L-2RB4-M1J 0.3M	>	E3Z-LT81-M1J 0.3M*	
	E3L-2RB4-P1	>	E3Z-LT81-M1J 0.3M*	
E3L-2RC4 2M	>	E3Z-LT61 2M		
Slits	E39-S55	>	E39-S65A	
	E39-S56	>	E39-S65B	
	E39-S62	>	E39-S65C	
Slit Set	SLIT SET FOR E3L	>	E39-S65A	
		>	E39-S65B	
		>	E39-S65C	

*Note: E3Z models have visible red laser, the E3L had an IR laser.

Replacement Differences

The E3Z uses a visible Red Laser; the "-50" models of the E3L used an Infrared Laser which has a longer wavelength and is less affected by color and can propagate through thin-walled opaque objects, i.e., Business card.

E3L Output Type - Suffixes

B4 – PNP, Open Collector, Light ON / Dark ON wire selectable

C4 – NPN, Open Collector, Light ON / Dark ON wire selectable

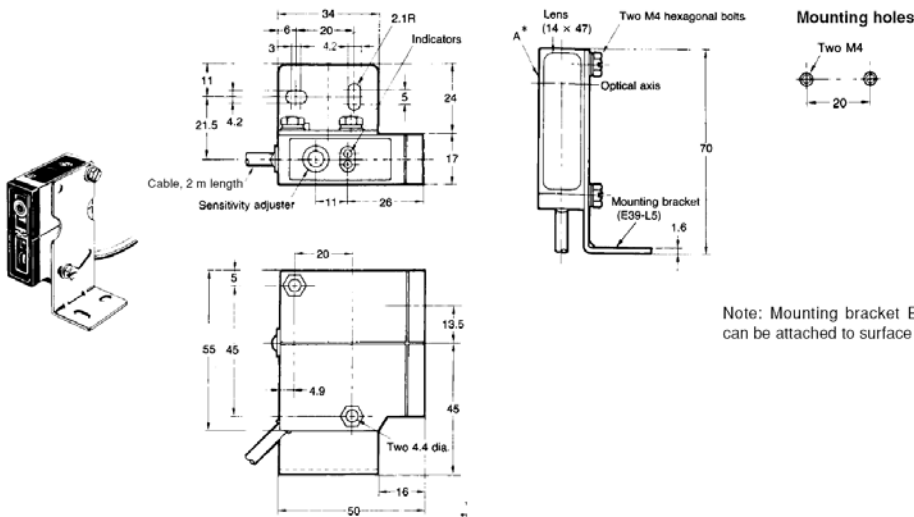
E4 – NPN, voltage output / constant current source, Light ON / Dark ON wire selectable

Dimensions

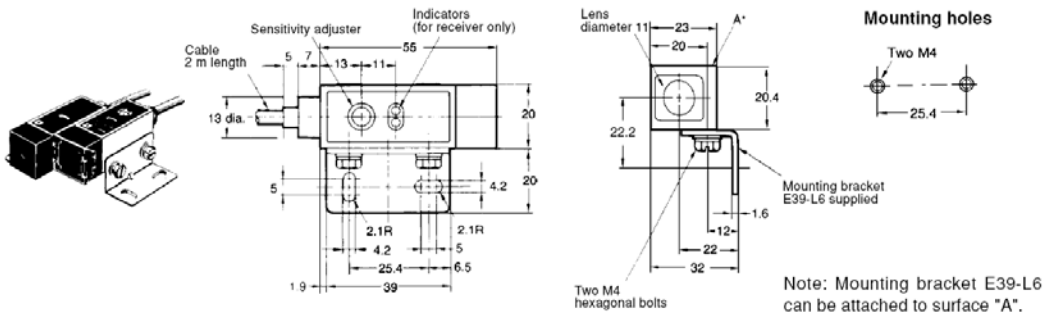
Shape, size and mounting of the E3Z-L is completely different from that of the E3L.

■ DIFFUSE REFLECTIVE TYPE E3L-DS50E4-50

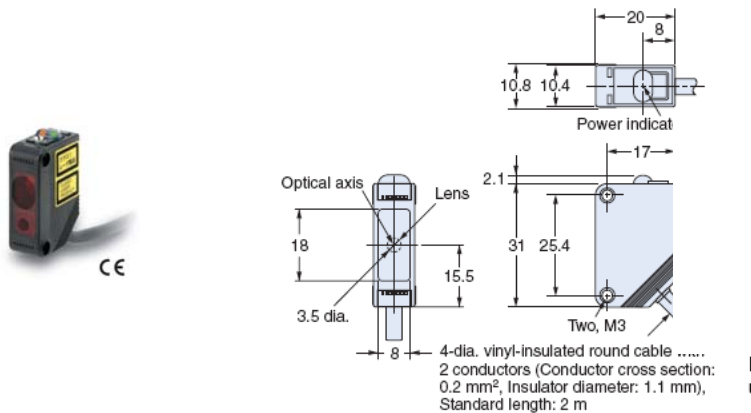
Unit: mm (inch)



■ THROUGH-BEAM TYPE E3L-2□4-□



Conditional Replacement: E3Z-L



X-ON Electronics

Largest Supplier of Electrical and Electronic Components

Click to view similar products for [Sensor Fixings & Accessories](#) category:

Click to view products by [Omron](#) manufacturer:

Other Similar products are found below :

[EC18-WELL](#) [SA9Z-F11](#) [E4R-R12A-CS3M010](#) [E4R-R12A-CS3M020](#) [BS-1T](#) [CHITAN](#) [ICAB-1](#) [SA9Z-S07PN02](#) [ECT18-WELL](#) [57142-000](#)
[79450811](#) [T18908](#) [P2435.3](#) [TM1STNTCW69755](#) [FRS2](#) [P2432.3](#) [P2434.3](#) [AS7030B_WRISTBAND](#) [AS7038GB_WRISTBAND](#) [EVAL-](#)
[CHAMBER](#) [EVAL-CHAMBER-10](#) [MB18A](#) [R-6717-4F6](#) [51001R](#) [430233](#) [440101](#) [440102](#) [440121](#) [440122](#) [440131](#) [440132](#) [440135](#)
[440136](#) [440147](#) [XSZB108](#) [Y92E-BC12](#) [Y92E-BC18](#) [810-12AC/DC](#) [843-12AC/DC](#) [844-12AC/DC](#) [771000-6011](#) [771000-6202](#) [812-](#)
[12AC/DC](#) [834-12AC/DC](#) [909G](#) [910G](#) [913G](#) [92.031.9058.1](#) [92.032.9058.1](#) [925G](#) [771000-6010](#)