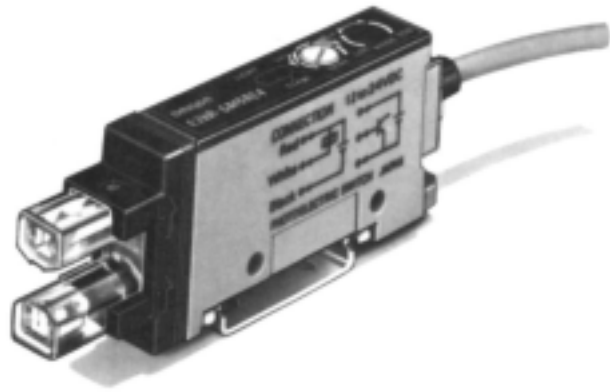


Registration Sensor -Slotted

E3XR-GM

Grooved Head Sensor Ideal for Register Mark Detection in Printing and Packaging Equipment

- Green or red light source according to color mark
- Fast response time, less than 1 ms
- Sensitivity adjuster and stability indicator allow fine tuning
- Switch selectable Light-ON/Dark-ON operation
- Pre-leaded with 2 m (6.6 ft) cable



Ordering Information

■ SENSORS

Light source color		Red LED	Green LED
Part number	NPN output	E3XR-GM5RE4	E3XR-GM5GE4
	PNP output	E3XR-GM5RB4	E3XR-GM5GB4

■ ACCESSORIES

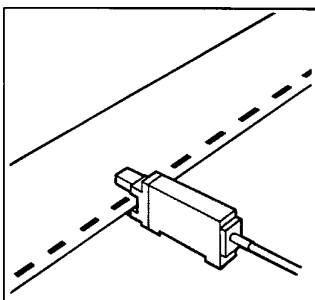
Description		Part number
Mounting track	DIN rail, 50 cm (1.64 ft) length	PFP-50N
	DIN rail, 1 m (3.28 ft) length	PFP-100N
	End plate	PFP-M
	Spacer	PFP-S

■ REPLACEMENT PARTS

Description	Part number
Mounting bracket (supplied with each sensor)	E39-L48

■ TYPICAL APPLICATION

Detecting marks on transparent film

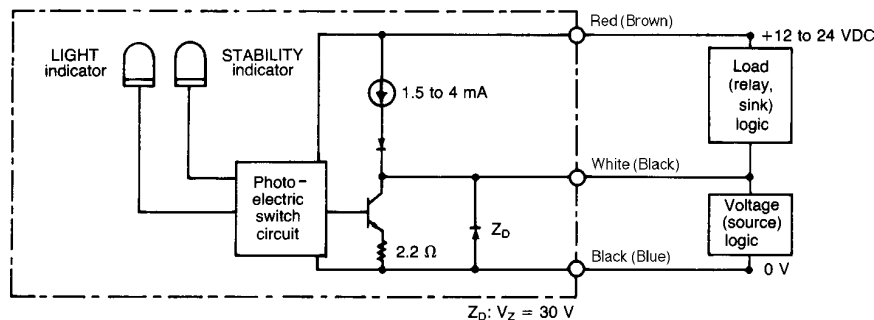


Specifications

Part number		E3XR-GM5R□4	E3XR-GM5G□4
Supply voltage		12 to 24 VDC ± 10% with 10% max. permissible ripple peak-to-peak	
Method of detection		Through beam type mounted in a grooved head	
Current consumption		40 mA max.	
Sensing distance		5 mm (0.197 in) groove width	
Light source		Red LED, pulse modulated	Green LED, pulse modulated
Detectable object type		Marks of 2 x 3 mm (0.079 x 0.118 in) min. on transparent film	
Operation mode		Light-ON/Dark-ON, switch selectable	
Sensitivity		Adjustable, four-turn potentiometer	
Mutual interference protection		Provided	
Control output	DC solid state	Type	NPN with current source (E3XR-GM5□E4) PNP (E3XR-GM5□B4)
		Max. load	NPN: Load (sink) logic: 80 mA max. Voltage (source) logic: 1.5 to 4 mA max. PNP: Load (source) logic: 100 mA max.
		Max. on-state voltage drop	1 VDC at 80 mA
Response time	ON	0.5 ms max.	1 ms max.
	OFF	0.5 ms max.	1 ms max.
Circuit protection		Short-circuit and reverse polarity protection	
Indicators		Light Incident (red LED), Output Stability (green LED)	
Materials	Lens	Plastic	
	Case	Plastic	
	Cable sheath	Vinyl	
Mounting		Two 3.2 mm dia. side through holes, DIN rail track mount or E39-L48 mounting bracket included	
Connections	Prewired	3-conductor cable, 2 m (6.56 ft) length	
Weight		Approx. 80 g (3 oz.)	
Enclosure ratings	IEC 144	IP65	
Standards conformance		IEC 947-5-2	
Ambient temperature	Operating	-25° to 55° C (-13° to 131°F)	
	Storage	-25° to 70° C (-13° to 158°F)	

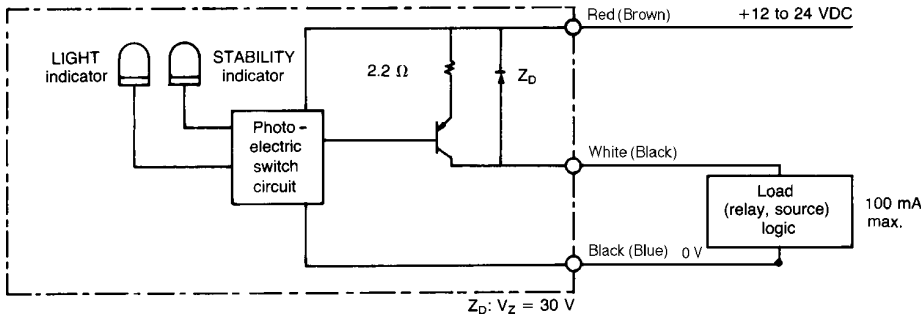
■ OUTPUT CIRCUIT DIAGRAMS

NPN output E3XR-GM5□E4



Note: IEC colors are shown in parentheses.

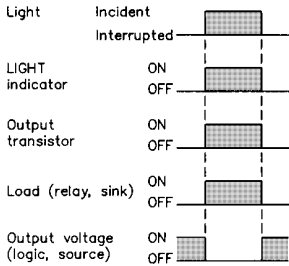
PNP output E3XR-GM5□B4



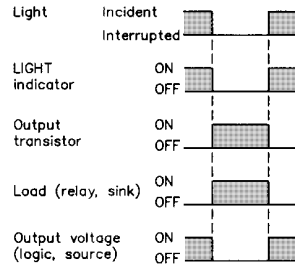
■ TIMING CHARTS

NPN output

Light-ON

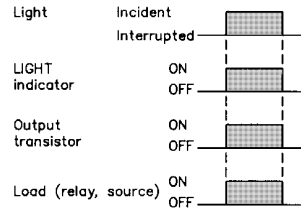


Dark-ON

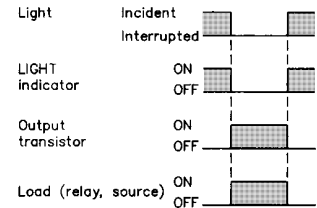


PNP output

Light-ON

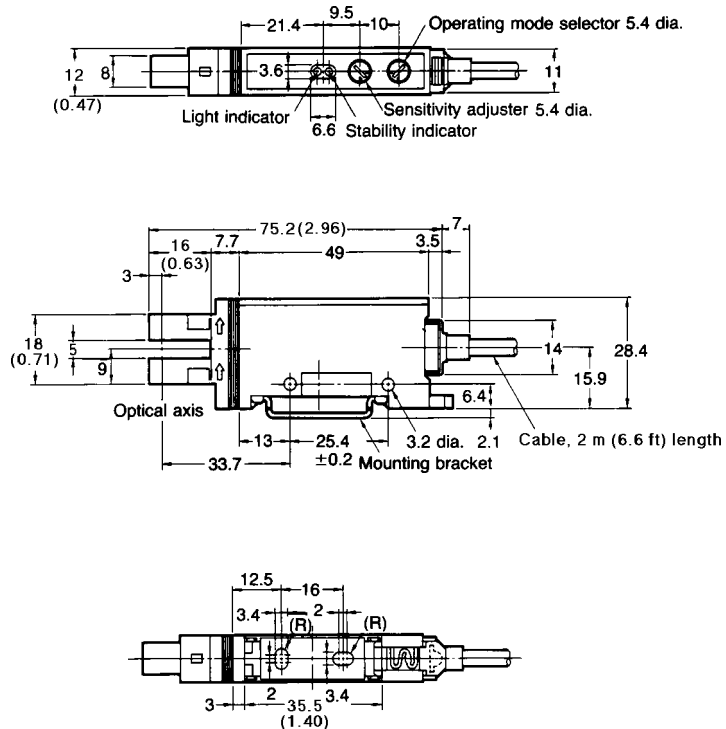
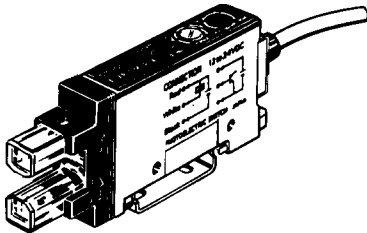


Dark-ON



Dimensions

Unit: mm (inch)





OMRON ELECTRONICS LLC

One East Commerce Drive
Schaumburg, IL 60173

1-800-55-OMRON

Cat. No. CEDSAX4

11/01

OMRON ON-LINE

Global - <http://www.omron.com>
USA - <http://www.omron.com/oei>
Canada - <http://www.omron.com/oci>

Specifications subject to change without notice.

OMRON CANADA, INC.

885 Milner Avenue
Scarborough, Ontario M1B 5V8

416-286-6465

Printed in the U.S.A.

X-ON Electronics

Largest Supplier of Electrical and Electronic Components

Click to view similar products for [Photoelectric Sensors](#) category:

Click to view products by [Omron](#) manufacturer:

Other Similar products are found below :

[E3JM-DS70R4T-US](#) [E3L2DC4](#) [E3RA-DN12 2M](#) [E3RA-DP12 2M](#) [E3S5LE4S](#) [E3S-AD38](#) [E3S-CR11 5M](#) [E3SCT11D5M](#) [E3SCT11M1J03M](#)
[E3T-SL14R](#) [E3T-SL24 5M](#) [E3T-ST12R](#) [E3X-CN02](#) [E3X-CN11 5M](#) [E3X-CN21 10M](#) [E3ZM-B66](#) [E3ZM-CL81H 2M](#) [E3Z-T62 2M](#)
[NJL5303R-TE1](#) [PB10CNT15PO](#) [PD60CNX20BP](#) [CX-491-P-J](#) [CX-491-Z](#) [XUM2BKCNL2T](#) [XUM2BKCNL2T](#) [XUM2BNANL2R](#) [Y92E-](#)
[ES30M](#) [Y92E-GS08SS](#) [ZXTDS04T](#) [ZX-XC4A 4M](#) [E3E23Y2US](#) [E3JM-DS70S4-US](#) [E3RA-RN11 2M](#) [E3S5LE42M](#) [E3S-LS20XB4 5M](#)
[E3TFD14N](#) [E3T-FD14R](#) [E3T-SL21 5M](#) [E3T-SL21M](#) [E3T-ST11R](#) [E3T-ST12 5M](#) [E3X-DA41-S-M1J 0.3M](#) [E3X-DAB6](#) [E3X-DAG8](#) [E3ZM-](#)
[B86](#) [E3ZM-CR81 2M](#) [E3ZM-CR86](#) [E3Z-T61A-L 2M](#) [ZX-XGC2R](#) [ZX-XB1A](#)