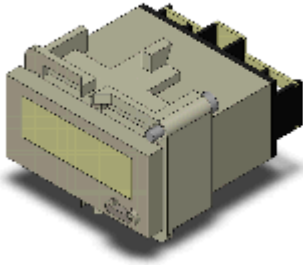


Self-powered Totalizer

## H7ET-NFV

Time Counter, 48 mm x 24 mm x 55.5 mm, 7 digit, 0.0 h to 999999.9 h/0.0 h to 3999 d 23.9 h (selectable), Free voltage input, Light gray



Image

<b>Digits</b>	7 digit
<b>External connection method</b>	Screw terminal
<b>Mounting method</b>	Flush mounting

### Ratings/Specifications

As of February 27, 2020

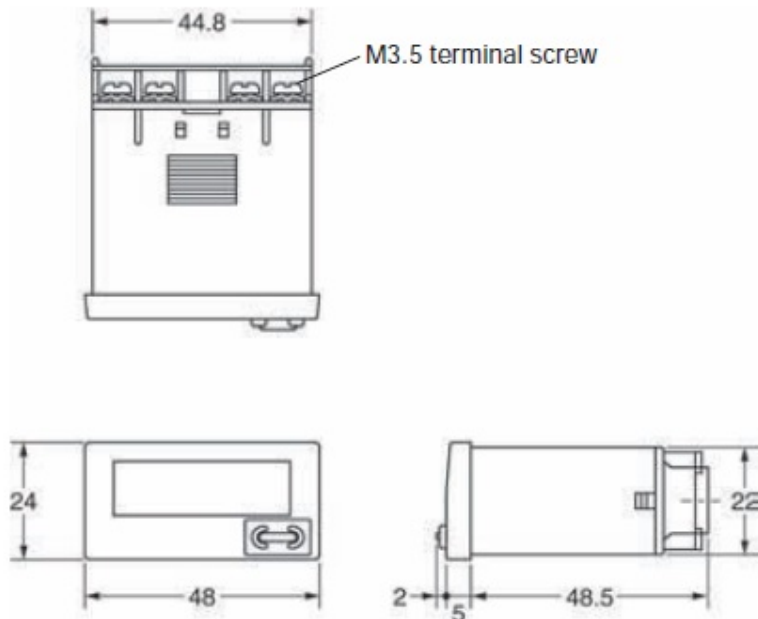
Function		Time Counter
Time counter	<b>Time ranges</b>	Increment
	<b>Time ranges</b>	0.0 h to 999999.9 h/0.0 h to 3999 d 23.9 h (selectable)
	<b>Set value read selector</b>	±100 ppm (25 °C)
	<b>Minimum signal input width</b>	1 s
	<b>Reset system</b>	External and manual reset
Input	<b>Input signal</b>	Count input, Reset
	<b>Input method</b>	Free voltage input
	<b>Voltage input</b>	High level: 24 to 240 VAC/VDC Low level: 0 to 2.4 VAC/VDC
Reset time	<b>External reset</b>	20 ms
	<b>Manual reset</b>	20 ms
Display	<b>Display method</b>	LCD
	<b>Digits</b>	7 digit
	<b>Character height</b>	8.6 mm
	<b>Zero suppression</b>	Equipped
<b>Key protection</b>		Key protect Switch
<b>Ambient temperature (Operating)</b>		-10 to 55°C (with no freezing or condensation)
<b>Ambient temperature (Storage)</b>		-25 to 65°C (with no freezing or condensation)
<b>Ambient humidity (Operating)</b>		25 to 85%
<b>Insulation resistance</b>		Between current carrying terminals and exposed non-current carrying metal parts: 100 MΩ min. (at 500 VDC)

	Between timer input terminals and reset terminals: 100 M $\Omega$ min. (at 500 VDC)
<b>Dielectric withstand voltage</b>	Between reset terminals and exposed non-current-carrying metal parts: 2200 VAC 50/60 Hz 1 min Between timer input terminals and exposed non-current-carrying metal parts: 3700 VAC 50/60 Hz 1 min Between timer input terminals and reset terminals: 2200 VAC 50/60 Hz 1 min
<b>Impulse withstand voltage</b>	Between current carrying terminals and exposed non-current carrying metal parts: 4.5 kV Between timer input terminals and reset terminals: 3 kV
<b>Noise immunity</b>	Between reset terminals: $\pm$ 500 V Between timer input terminals: $\pm$ 1.5 kV square-wave noise by noise simulator (pulse width: 100 ns/1 $\mu$ s, 1-ns rise)
<b>Static immunity</b>	$\pm$ 8 kV (malfunction)
<b>Vibration resistance</b>	Destruction: 10 to 55 Hz, 0.375 mm single amplitude each in 3 directions for 2 h Malfunction: 10 to 55 Hz, 0.15 mm single amplitude each in 3 directions for 10 min
<b>Shock resistance</b>	Destruction: 300 m/s**2, 3 times each in 6 directions Malfunction: 200 m/s**2, 3 times each in 6 directions
<b>Degree of protection</b>	Case front: IP66, NEMA 4 (indoors), and UL Type 4X (indoors)
<b>External connection method</b>	Screw terminal
<b>Case color</b>	Light gray (Munsell 5Y7/1)
<b>Accessories</b>	Flush mounting adapter, Lithium Battery (3 V), Waterproof packing, Unit label
<b>Weight</b>	Approx. 60 g

As of February 27, 2020

### Dimensions

As of February 27, 2020

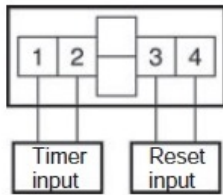


Terminal arrangement

## ■ Terminal Arrangement

Bottom view: View of the Time Counter rotated horizontally 180°

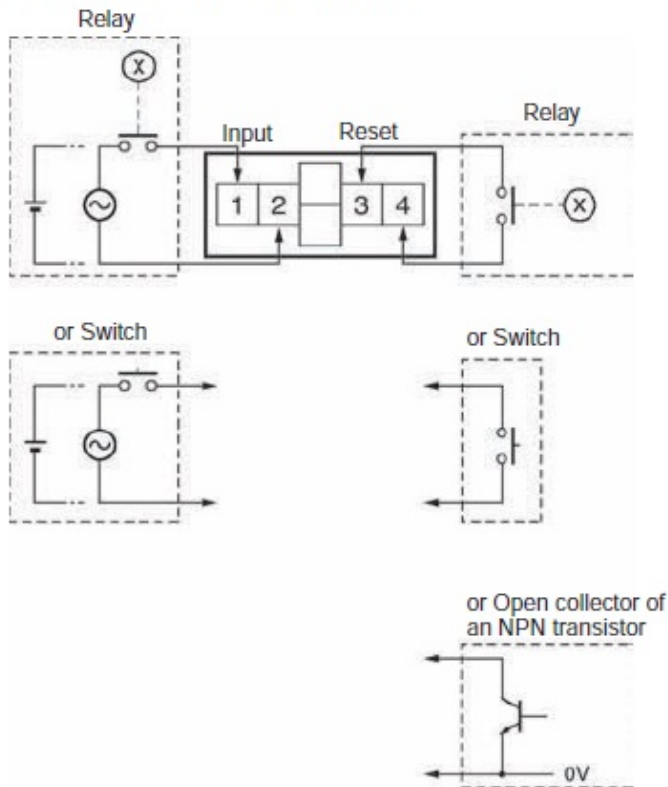
### No-backlight Model



Input connection diagram

### Free voltage input

## AC/DC Multi-voltage Input Model



**Note:** Select input transistors according to the following:  
 Dielectric strength of the collector  $\geq 50$  V  
 Leakage current  $< 1 \mu\text{A}$

As of February 27, 2020

## X-ON Electronics

Largest Supplier of Electrical and Electronic Components

*Click to view similar products for [Timers](#) category:*

*Click to view products by [Omron](#) manufacturer:*

Other Similar products are found below :

[79237785](#) [H5AN-4DM DC12-24](#) [H5CN-YAN AC100-240](#) [H5CX-L8S-N AC100-240](#) [H5AN-4D DC12-24](#) [THR2U-110A](#) [81506944](#)  
[88225029](#) [H5S-YB4-X](#) [H7AN-2D DC12-24](#) [H5CN-XANS DC12-48](#) [H7AN-W4DM DC12-24](#) [H7AN-4DM DC12-24](#) [H7AN-4D DC12-24](#)  
[H7AN-RT6M AC100-240](#) [600DT-CU](#) [7PV1513-1AP30](#) [7PV1538-1AW30](#) [1SVR508100R0000](#) [1SVR550127R4100](#) [1SVR550212R4100](#)  
[1SVR730010R3200](#) [1SVR730020R3300](#) [1SVR730120R3100](#) [1SVR730180R3100](#) [1SVR730211R2300](#) [PCU-511UNI](#) [H3C-R](#) [H3CR-A8-301](#)  
[24-48AC/12-48DC](#) [H3CR-A8E 24-48AC/DC](#) [H3CR-F8 100-240AC/100-125DC](#) [H3CR-FN 100-240AC/100-125DC](#) [H3DK-G 24-230AC/DC](#)  
[H3DK-HBL AC/DC24-48](#) [H3DK-M1A DC12](#) [LT4H-AC24V](#) [LT4HW8-AC240V](#) [LT4HW-AC240V](#) [LT4HW-AC24VS](#) [31L48AP](#)  
[31L48TPM240](#) [RC302](#) [RC312](#) [REV-201M](#) [RG](#) [AT78041](#) [AT78051](#) [ATC180041](#) [TMM1](#) [TMP](#)