

Easy-to-use, Low-cost Digital Panel Meter that Accepts DC Input



- Compact DIN-size (96 x 48 (W x H)) body.
- Mounting thickness of only 3.5 mm required.
- Highly visible display with 14.2-mm-high LEDs.
- Easy-to-mount snap-in construction.
- Conforms to EMC standards EN61010-1 (IEC61010-1).



For the most recent information on models that have been certified for safety standards, refer to your OMRON website.

Note: This Panel Meter does not support scaling.

Model Number Structure

Model Number Legend

K3TE -
 1 2 3 4

1, 2. Input Code

V1: ± 199.9 mV
 V2: ± 1.999 V
 V3: ± 19.99 V
 V4: ± 199.9 V
 A1: ± 199.9 μ A
 A2: ± 1.999 mA
 A3: ± 19.99 mA
 A4: ± 199.9 mA
 A5: ± 1.999 A

3. Series No.

1: Current series

4. Supply Voltage

4: 100 to 120 VAC
 5: 200 to 240 VAC
 6: 24 VDC (internally insulated)



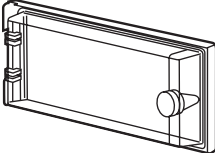
Ordering Information

■ List of Models

| Range | Measuring ranges | Supply voltage | | |
|------------|------------------|----------------|----------------|----------------------------------|
| | | 100 to 120 VAC | 200 to 240 VAC | 24 VDC (internally insulated) |
| DC voltage | ±199.9 mV | K3TE-V114 | K3TE-V115 | K3TE-V116 |
| | ±1.999 V | K3TE-V214 | K3TE-V215 | K3TE-V216 |
| | ±19.99 V | K3TE-V314 | K3TE-V315 | K3TE-V316 |
| | ±199.9 V | K3TE-V414 | K3TE-V415 | K3TE-V416 |
| DC current | ±199.9 μA | K3TE-A114 | K3TE-A115 | K3TE-A116 |
| | ±1.999 mA | K3TE-A214 | K3TE-A215 | K3TE-A216 |
| | ±19.99 mA | K3TE-A314 | K3TE-A315 | K3TE-A316 |
| | ±199.9 mA | K3TE-A414 | K3TE-A415 | K3TE-A416 |
| | ±1.999 mA | K3TE-A514 | K3TE-A515 | K3TE-A516 |

Note: The K3TE-V4□□ does not conform to CE marking standards.

■ Accessories (Order Separately)

| Name | Appearance | Model |
|----------------------------------|---|-----------|
| Water-resistive Soft Front Cover |  | K32-L49SC |
| Water-resistive Mounting Bracket |  | K32-L49MB |
| Watertight Cover |  | Y92A-49N |

Note: Be sure to use the Soft Front Cover and Mounting Bracket as a set.

Specifications

■ Ratings

| | | | |
|------------------------------|--|--|--|
| Supply voltage | 100 to 120 VAC; 200 to 240 VAC (50/60 Hz); 24 VDC (internally insulated) | | |
| Operating voltage range | -15% to +10% of supply voltage | | |
| Power consumption | 3 VA (at max. AC load); 1.3 W (at max. DC load) (see note) | | |
| Insulation resistance | 10 M Ω min. (at 500 VDC) between external terminal and case | | |
| Dielectric strength | AC model: 2,000 VAC min. for 1 min between input terminal and power supply DC model: 500 VDC min. for 1 min between input terminal and power supply AC/DC model: 2,000 VAC min. for 1 min between external terminal and case | | |
| Noise immunity | AC model: \pm 1,500 V on power supply terminals in normal or common mode DC model: \pm 480 V on power supply terminals in normal mode \pm 1,500 V on power supply terminals in common mode | | |
| Vibration resistance | Malfunction: 10 to 55 Hz, 0.5-mm single amplitude for 10 min each in X, Y, and Z directions Destruction: 10 to 55 Hz, 0.75-mm single amplitude for 2 hrs each in X, Y, and Z directions | | |
| Shock resistance | Malfunction: 98 m/s ² for 3 times each in 6 directions Destruction: 294 m/s ² for 3 times each in 6 directions | | |
| Ambient temperature | Operating: -10° to 55°C (with no icing) Storage: -20° to 65°C (with no icing) | | |
| Ambient humidity | Operating: 35% to 85% (with no condensation) | | |
| Ambient operating atmosphere | No corrosive gas | | |
| EMC | (EMI) | EN61326+A1 | Industry |
| | Emission Enclosure: | CISPR 11 Group 1 class A: CISRP16-1/-2 | |
| | Emission AC Mains: | CISPR 11 Group 1 class A: CISRP16-1/-2 | |
| | (EMS) | EN61326+A1 | Industry |
| | Immunity ESD: | EN61000-4-2: | 4 kV contact discharge (level 2) 8 kV air discharge (level 3) |
| | Immunity RF-interference: | EN61000-4-3: | 10 V/m (amplitude-modulated, 80 MHz to 1 GHz) (level 3) |
| | Immunity Fast Transient Noise: | EN61000-4-4: | 2 kV (power line) (level 3) |
| | Immunity Burst Noise: | | 1 kV line to line (I/O signal line) |
| | Immunity Surge: | EN61000-4-5: | 1 kV line to line 2 kV line to ground (power line) |
| | Immunity Conducted Disturbance | EN61000-4-6: | 3 V (0.15 to 80 MHz) (level 2) |
| | Immunity Voltage Dip/Interrupting | EN61000-4-11: | 0.5 cycles, 0, 180°, 100% (rated voltage) |
| Approved standards | Conforms to EN61326+A1, EN61010-1 (IEC61010-1) Conforms to VDE0106/P100 (finger protection) when the terminal cover is mounted. | | |

- Note:** 1. An inrush current of approximately 0.5 A will flow at the moment the power is turned on and continued for approximately 2 ms.
2. The K3TE-V4□□ does not conform to CE marking standards.

■ Characteristics

| | |
|--------------------------------|---|
| Input signal | DC voltage/current |
| A/D conversion method | Double integral method |
| Sampling period | 2.5 times/s |
| Display refresh period | 2.5 times/s |
| Max. displayed digits | 3 1/2 digits (\pm 1999) |
| Display | 7-segment red LED |
| Decimal point display position | By short-circuiting terminals |
| Sign display | "-" is displayed automatically with a negative input signal |
| Overflow/underflow display | Overflow: $\#$ □□□ Underflow: - $\#$ □□□ |
| Zero suppression | Not supported. |
| External control | Process value hold (terminals on rear panel short-circuited) |
| Degree of protection | Front panel: IEC IP51 (see note) Case: IEC IP20 Terminals: IEC IP00 |

- Note:** IP51 is maintained when the water-resistant soft cover and bracket are used. IP50 will be, however, maintained without these water-resistant accessories.

Measuring Ranges

| Input range | Measuring range | Max. resolution | Input impedance | Accuracy | Max. permissible load |
|-------------|-----------------|-----------------|-----------------|-------------------|-----------------------|
| DC voltage | ±199.9 mV | 100 μV | 100 MΩ | ±0.1%rdg ±1 digit | ±250 V |
| | ±1.999 V | 1 mV | 100 MΩ | ±0.1%rdg ±1 digit | ±250 V |
| | ±19.99 V | 10 mV | 10 MΩ | ±0.1%rdg ±1 digit | ±250 V |
| | ±199.9 V | 100 mV | 10 MΩ | ±0.1%rdg ±1 digit | ±350 V |
| DC current | ±199.9 μA | 100 nA | 1 kΩ | ±0.1%rdg ±1 digit | ±10 mA |
| | ±1.999 mA | 1 μA | 100 Ω | ±0.1%rdg ±1 digit | ±50 mA |
| | ±19.99 mA | 10 μA | 10 Ω | ±0.1%rdg ±1 digit | ±150 mA |
| | ±199.9 mA | 100 μA | 1 Ω | ±0.1%rdg ±1 digit | ±500 mA |
| | ±1.999 A | 1 mA | 0.1 Ω | ±0.3%rdg ±1 digit | ±3 A |

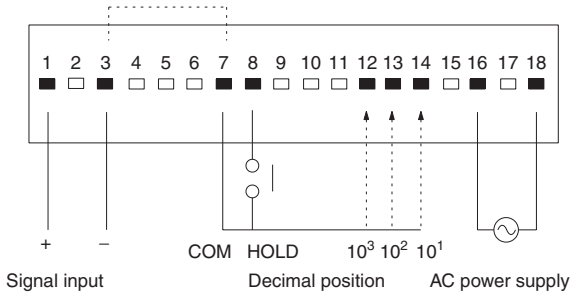
Note: The above accuracy is at an ambient temperature of 23±5°C.

Connections

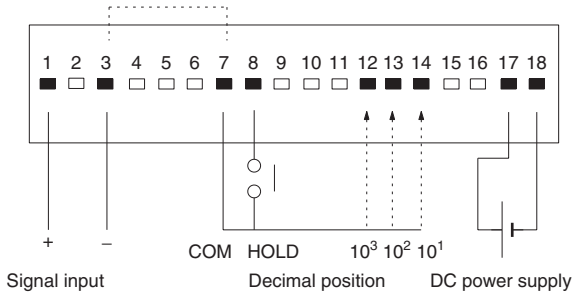
External Connections

Connector and connector screws are provided with the model.

AC Power Supply



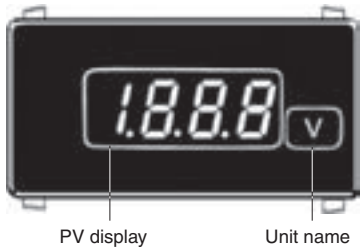
DC Power Supply



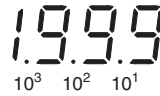
Note: 1. Terminals 3 and 7 of the AC and DC models are not internally insulated. Connect a relay with high contact reliability and insulation (with a minimum load current of 0.3 mA) or a photocoupler with high insulation (with a residual voltage of 1 V max. and a current leakage of 0.1 mA max.) to these terminals for external control.

2. The terminals marked with a white rectangular box are not used. Do not use these terminals for transmission of signals.

Nomenclature

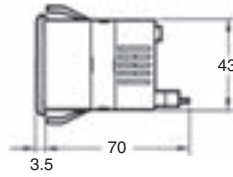
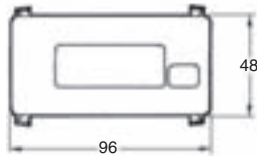
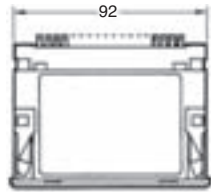


Select the decimal position with terminal 12, 13, or 14 on the rear panel.

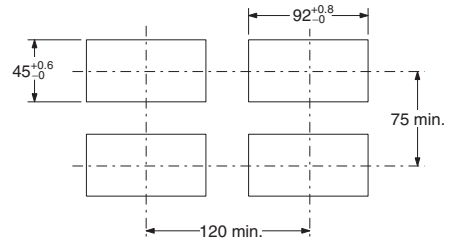


Dimensions

Note: All units are in millimeters unless otherwise indicated.

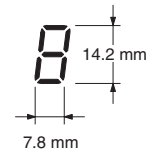


Panel Cutouts



Note: The values above are recommended values. Do not group-mount the meters at intervals less than the recommended ones.

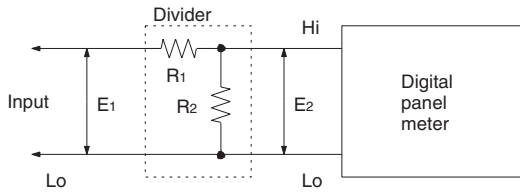
LED Indicator Size



Application Examples

High DC Voltage Measurement

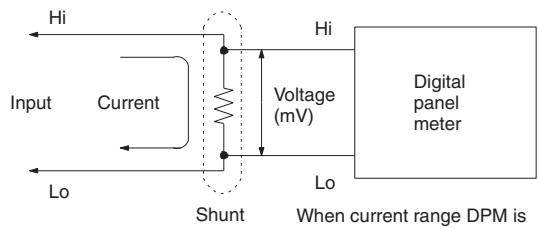
When voltage exceeding the maximum voltage in the standard range is measured (for example: more than 200 V), a divider is connected externally.



$$\frac{E_2}{E_1} = \frac{R_2}{R_1 + R_2}$$

Large DC Current Measurement

When large DC current exceeding 2 A is measured, a shunt is connected externally.



When current range DPM is used, disconnect the internal shunt resistor.

Safety Precautions

Mounting

Recommended panel thickness is 1 to 3.2 mm.

When mounting, insert the Digital Panel Meter in the mounting hole and make sure that the Digital Panel Meter is secured with mounting hooks.

Always attach the Mounting Bracket before wiring the terminals. Also, always remove the wiring before removing the Mounting Bracket.

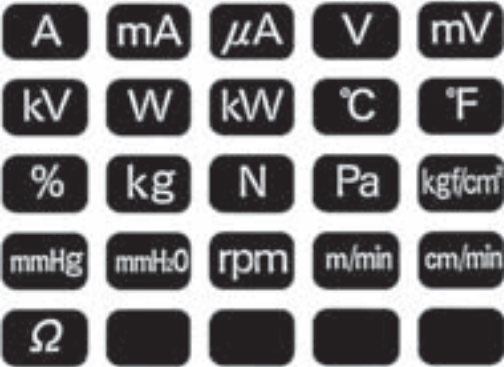
Mount the Digital Panel Meter as horizontally as possible.

Never use the Digital Panel Meter in locations where corrosive gas (particularly sulfide or ammonia gas) is generated.

As much as possible avoid use of the Digital Panel Meter in a location subject to severe shock or vibration, excessive dust, or excessive moisture.

Select a mounting location where the Digital Panel Meter can be used at an ambient operating temperature -10° to 55°C .

No product is shipped with the unit label attached. Select a unit label from the sheet provided, and attach it to the Digital Panel Meter.



Calibration

Calibrate the Digital Panel Meter regularly so that the Digital Panel Meter can maintain processing accuracy.

Use a standard signal generator with an accuracy of 99.99% min. for calibration.

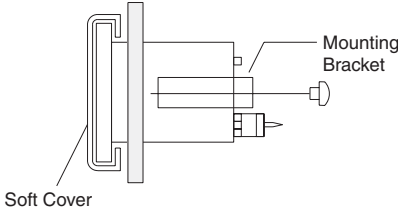
For the precise calibration methods, refer to the Instruction Sheet for the Digital Panel Meter.

After the front panel cover is removed to calibrate the K3TE, be sure not to touch components other than the calibration adjuster. Keep metal objects off the K3TE while calibrating, especially when power is turned on.

Accessories (Order Separately)

Water-resistant Soft Front Cover

Before mounting the Digital Panel Meter to a panel, attach the water-resistant soft front cover and mounting bracket to the Digital Panel Meter properly so that the Digital Panel Meter will maintain IP51 water-resistant standards. Before you calibrate Digital Panel Meters, remove the water-resistant soft front cover. Refer to the operation manual included with the Digital Panel Meter for the calibration procedure.



Note: Be sure to use the Water-resistant Soft Front Cover and mounting bracket together.

ALL DIMENSIONS SHOWN ARE IN MILLIMETERS.
To convert millimeters into inches, multiply by 0.03937. To convert grams into ounces, multiply by 0.03527.

In the interest of product improvement, specifications are subject to change without notice.

Terms and Conditions Agreement

Read and understand this catalog.

Please read and understand this catalog before purchasing the products. Please consult your OMRON representative if you have any questions or comments.

Warranties.

(a) Exclusive Warranty. Omron's exclusive warranty is that the Products will be free from defects in materials and workmanship for a period of twelve months from the date of sale by Omron (or such other period expressed in writing by Omron). Omron disclaims all other warranties, express or implied.

(b) Limitations. OMRON MAKES NO WARRANTY OR REPRESENTATION, EXPRESS OR IMPLIED, ABOUT NON-INFRINGEMENT, MERCHANTABILITY OR FITNESS FOR A PARTICULAR PURPOSE OF THE PRODUCTS. BUYER ACKNOWLEDGES THAT IT ALONE HAS DETERMINED THAT THE PRODUCTS WILL SUITABLY MEET THE REQUIREMENTS OF THEIR INTENDED USE.

Omron further disclaims all warranties and responsibility of any type for claims or expenses based on infringement by the Products or otherwise of any intellectual property right. (c) Buyer Remedy. Omron's sole obligation hereunder shall be, at Omron's election, to (i) replace (in the form originally shipped with Buyer responsible for labor charges for removal or replacement thereof) the non-complying Product, (ii) repair the non-complying Product, or (iii) repay or credit Buyer an amount equal to the purchase price of the non-complying Product; provided that in no event shall Omron be responsible for warranty, repair, indemnity or any other claims or expenses regarding the Products unless Omron's analysis confirms that the Products were properly handled, stored, installed and maintained and not subject to contamination, abuse, misuse or inappropriate modification. Return of any Products by Buyer must be approved in writing by Omron before shipment. Omron Companies shall not be liable for the suitability or unsuitability or the results from the use of Products in combination with any electrical or electronic components, circuits, system assemblies or any other materials or substances or environments. Any advice, recommendations or information given orally or in writing, are not to be construed as an amendment or addition to the above warranty.

See <http://www.omron.com/global/> or contact your Omron representative for published information.

Limitation on Liability; Etc.

OMRON COMPANIES SHALL NOT BE LIABLE FOR SPECIAL, INDIRECT, INCIDENTAL, OR CONSEQUENTIAL DAMAGES, LOSS OF PROFITS OR PRODUCTION OR COMMERCIAL LOSS IN ANY WAY CONNECTED WITH THE PRODUCTS, WHETHER SUCH CLAIM IS BASED IN CONTRACT, WARRANTY, NEGLIGENCE OR STRICT LIABILITY.

Further, in no event shall liability of Omron Companies exceed the individual price of the Product on which liability is asserted.

Suitability of Use.

Omron Companies shall not be responsible for conformity with any standards, codes or regulations which apply to the combination of the Product in the Buyer's application or use of the Product. At Buyer's request, Omron will provide applicable third party certification documents identifying ratings and limitations of use which apply to the Product. This information by itself is not sufficient for a complete determination of the suitability of the Product in combination with the end product, machine, system, or other application or use. Buyer shall be solely responsible for determining appropriateness of the particular Product with respect to Buyer's application, product or system. Buyer shall take application responsibility in all cases.

NEVER USE THE PRODUCT FOR AN APPLICATION INVOLVING SERIOUS RISK TO LIFE OR PROPERTY OR IN LARGE QUANTITIES WITHOUT ENSURING THAT THE SYSTEM AS A WHOLE HAS BEEN DESIGNED TO ADDRESS THE RISKS, AND THAT THE OMRON PRODUCT(S) IS PROPERLY RATED AND INSTALLED FOR THE INTENDED USE WITHIN THE OVERALL EQUIPMENT OR SYSTEM.

Programmable Products.

Omron Companies shall not be responsible for the user's programming of a programmable Product, or any consequence thereof.

Performance Data.

Data presented in Omron Company websites, catalogs and other materials is provided as a guide for the user in determining suitability and does not constitute a warranty. It may represent the result of Omron's test conditions, and the user must correlate it to actual application requirements. Actual performance is subject to the Omron's Warranty and Limitations of Liability.

Change in Specifications.

Product specifications and accessories may be changed at any time based on improvements and other reasons. It is our practice to change part numbers when published ratings or features are changed, or when significant construction changes are made. However, some specifications of the Product may be changed without any notice. When in doubt, special part numbers may be assigned to fix or establish key specifications for your application. Please consult with your Omron's representative at any time to confirm actual specifications of purchased Product.

Errors and Omissions.

Information presented by Omron Companies has been checked and is believed to be accurate; however, no responsibility is assumed for clerical, typographical or proofreading errors or omissions.

2014.2

In the interest of product improvement, specifications are subject to change without notice.

OMRON Corporation
Industrial Automation Company

<http://www.ia.omron.com/>

(c)Copyright OMRON Corporation 2014 All Right Reserved.

X-ON Electronics

Largest Supplier of Electrical and Electronic Components

Click to view similar products for [Controllers](#) category:

Click to view products by [Omron](#) manufacturer:

Other Similar products are found below :

[CS1WCN223](#) [CS1WCN713](#) [CS1WKS001E](#) [61F-11NH](#) [61FGPN8DAC120](#) [61F-GP-NT AC110](#) [61F-GPN-V50-AC110](#) [70177-1011](#) [F03-03](#)
[HAS B](#) [F03-03 HAS C](#) [F03-31](#) [81513201](#) [81513535](#) [81550401](#) [FT1A-C12RA-W](#) [88981106](#) [H2CAC24A](#) [R88A-CAGA005S](#) [R88A-](#)
[CRGB003CR-E](#) [R88ARR080100S](#) [R88A-TK01K](#) [DCN1-1](#) [DTB4896VRE](#) [DTB9696CVE](#) [DTB9696LVE](#) [MR-50LF+](#) [E53-AZ01](#) [E53E8C](#)
[E5CWLQ1TCAC100240](#) [B300LKL21](#) [NE1ASCPU02EIPVER11](#) [NE1SCPU01](#) [NE1SDRM21U](#) [NSCXDC1V3](#) [NSH5-232CW-3M](#)
[NT20SST122BV1](#) [NV3Q-SW41](#) [NV4W-ATT01](#) [NV-CN001](#) [OAS-160-N](#) [K31S6](#) [K33-L1B](#) [K3TX-AD31A](#) [L595020](#) [SRS2-1](#) [G32X-V2K](#)
[26546803](#) [26546805](#) [26546831](#) [CJ1W-OD204](#)