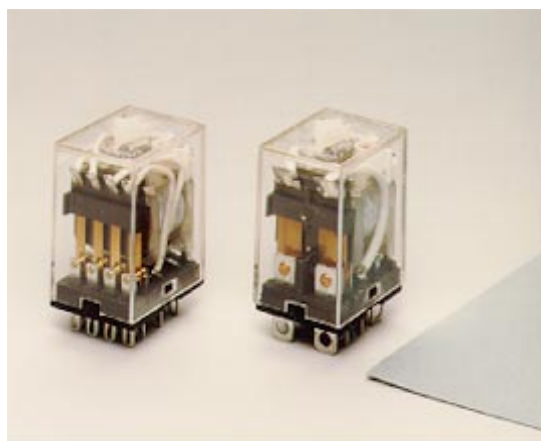


## General-purpose Relay


## MY

### An Improved Miniature Power Relay with Many Models for Sequence Control and Power Applications

- A wide range of relay variations including ones with operation indicators, high-capacity capability, built-in diodes, etc.
- Arc barrier standard on 3- and 4-pole relays.
- Withstand voltage: 2,000 VAC.



### Ordering Information

Type	Contact form	Plug-in socket/solder terminals		PCB terminals	Upper-mounting/ solder terminals
			With indicator		
<b>Standard</b>	SPDT	*MY1	—	*MY1-02	MY1F
	DPDT	MY2	MY2N	MY2-02	MY2F
	DPDT (bifurcated)	MY2Z	MY2ZN	MY2Z-02	MY2ZF
	3PDT	MY3	MY3N	MY3-02	MY3F
	4PDT	MY4	MY4N	MY4-02	MY4F
	4PDT (bifurcated)	MY4Z	MY4ZN	MY4Z-02	MY4ZF
<b>With built-in diode (DC only)</b>	DPDT	MY2-D	MY2N-D2	—**	—
	DPDT (bifurcated)	MY2Z-D	MY2ZN-D2	—	—
	3PDT	MY3-D	MY3N-D2	—	—
	4PDT	MY4-D	MY4N-D2	—	—
	4PDT (bifurcated)	MY4Z-D	MY4ZN-D2	—	—
<b>With built-in CR (AC only)</b>	DPDT	MY2-CR	MY2N-CR	—	Not available.
	DPDT (bifurcated)	MY2Z-CR	—	—	
	3PDT	MY3-CR	—	—	
	4PDT	MY4-CR	MY4N-CR	—	
	4PDT (bifurcated)	MY4Z-CR	—	—	
<b>With test button</b>	DPDT	MY2I4	MY2I4N	—	—
	4PDT	MY4I4	MY4I4N	—	—

Type	Contact form	Plug-in socket/solder terminals		PCB terminals	Upper-mounting/ solder terminals
			With indicator		
High-humidity	DPDT	MY2-TU	—	—	—
	DPDT (bifurcated)	MY2Z-TU	—	—	—
	3PDT	MY3-TU	—	—	—
	4PDT	MY4-TU	MY4N-TU	—	—
	4PDT (bifurcated)	MY4Z-TU	—	—	Not available.
High-capacity (7 A)	DPDT	MY2-Y	MY2N-Y	—	Not available.
High-sensitivity	3PDT	MYC3	Not available	MYC3-02	

**Note:** 1. When ordering, add the rated coil voltage to the model number. Rated coil voltages are given in the coil ratings table.

Example: MY2, 6 VAC

Rated coil voltage

- \*2. Models mark with an asterisk are not available with international safety standard ratings.
- 3. Add "-G" to the model number if mounting studs are required (e.g., MY4-G).
- 4. The standard contacts for MY2Z-series Relays and for the MY4Z are gold-plated.
- \*\*5. Models denoted by "—" will be manufactured upon request. Ask your OMRON representative.
- 6. The following variations are also available.
  - Plastic-sealed relays (MYQ4): See page 46.
  - Latching relays (MY2K): See page 51.
  - Hermetically sealed relays (MY4H): Ask your OMRON representative.

## ■ Accessories (Order Separately)

### Sockets

Poles	Front-mounting socket (DIN-rail/screw mounting)	Back-mounting socket				
		Solder terminals		Wire-wrap terminals		PCB terminals
		W/ clip	W/o clip	W/ clip	W/o clip	
1 or 2	PYF08A-E, PYF08A, PYF08A-N (finger protection)	PY08	PY08-Y1	PY08QN	PY08QN-Y1	PY08-02
3	PYF11A-E, PYF11A	PY11	PY11-Y1	PY11QN	PY11QN-Y1	PY11-02
4	PYF14A-E, PYF14A PYF14A-N (finger protection)	PY14 PY14-3*	PY14-Y1	PY14QN	PY14QN-Y1	PY14-02

**Note:** \*1. Equipped with operation check terminal.

2. The PYF08A(-E), PYF11A(-E), and PYF14A(-E) have been approved as individual sockets by UL S08 and CSA C22.2.

### Mounting Plates for Sockets

Socket model	For 1 socket	For 18 sockets	For 36 sockets
PY08, PY11, PY14, PY08QN(2), PY11QN(2), PY14QN(2)	PYP-1	PYP-18	PYP-36

**Note:** PYP-18 and PYP-36 can be cut into any desired length in accordance with the number of sockets.

## Socket Hold-down Clip Pairing

Relay type	Poles	Front-connecting sockets (rail-/screw-mounted)		Back-connecting sockets			
		Socket	Clip	Solder/wire-wrap terminals		PCB terminals	
				Socket	Clip	Socket	Clip
Standard, bifurcated contacts, operation indicator, built-in diode, high-capacity, high-sensitivity, or high-humidity	1, 2	PYF08A-N, PYF08A-E, PYF08A	PYC-A1	PY08(QN)	PYC-P	PY08(QN)	PYC-P
	3	PYF11A		PY11(QN)		PY11(QN)	
	4	PYF14A-N, PYF14A-E, PYF14A		PY14(QN)		PY14(QN)	
MY2N-D4	4	PYF14A-N, PYF14A-E, PYF14A	Y92H-3	PY14(QN)	PYC-1	PY08(QN)	PYC-1
Test button	1, 2	PYF08A-N, PYF08A-E, PYF08A	PYC-A1	PY08(QN)	PYC-P2	PY08(QN)	PYC-P2
	3	PYF11A		PY11(QN)		PY11(QN)	
	4	PYF14A-N, PYF14A-E, PYF14A		PY14(QN)		PY14(QN)	
CR circuit	1, 2	PYF08A-N, PYF08A-E, PYF08A	Y92H-3	PY08(QN)	PYC-1	PY08(QN)	PYC-1
	3	PYF11A		PY11(QN)		PY11(QN)	
	4	PYF14A-N, PYF14A-E, PYF14A		PY14(QN)		PY14(QN)	

## Specifications

## ■ Coil Ratings

Rated voltage	Rated current		Coil resistance	Inductance (reference value)		Must operate	Must release	Max. voltage	Power consum. (Approx.)	
	50 Hz	60 Hz		Arm. OFF	Arm. ON					% of rated voltage
AC	6 V	214.1 mA	183 mA	12.2 Ω	0.04 H	0.08 H	80% max.	30% min.	110%	1.0 to 1.2 VA (60 Hz)
	12 V	106.5 mA	91 mA	46 Ω	0.17 H	0.33 H				
	24 V	53.8 mA	46 mA	180 Ω	0.69 H	1.30 H				
	50 V	25.7 mA	22 mA	788 Ω	3.22 H	5.66 H				
	100/110 V	11.7/12.9 mA	10/11 mA	3,750 Ω	14.54 H	24.6 H				
	110/120 V	9.9/10.8 mA	8.4/9.2 mA	4,430 Ω	19.20 H	32.1 H				
	200/220 V	6.2/6.8 mA	5.3/5.8 mA	12,950 Ω	54.75 H	94.07 H				
	220/240 V	4.8/5.3 mA	4.2/4.6 mA	18,790 Ω	83.50 H	136.40 H				
DC	6 V	150 mA		40 Ω	0.17 H	0.33 H	10% min.		0.9 W	
	12 V	75 mA		160 Ω	0.73 H	1.37 H				
	24 V	36.9 mA		650 Ω	3.20 H	5.72 H				
	48 V	18.5 mA		2,600 Ω	10.60 H	21.00 H				
	100/110 V	9.1/10 mA		11,000 Ω	45.60 H	86.20 H				

**Note:** See notes under next table on next page.

## High-sensitivity Relays

Power supply ratings					Input ratings			
Voltage	Current	Coil resistance	Max. voltage*	Power consum.	Input voltage	Must operate	Must release	Power consum.
					% of rated voltage			
24 VDC	36.9 mA	650 W	110%	Approx. 900 mW	2 to 12 V	2 V max.	1 V min.	0.5 to 52 mW

- Note:**
1. The rated current and coil resistance are measured at a coil temperature of 23°C with tolerances of +15%/–20% for rated currents and ±15% for DC coil resistance.
  2. Performance characteristic data are measured at a coil temperatures of 23°C.
  3. The must operate and must release voltages for High-sensitivity Relays was measured at the rated power supply voltage.
  4. AC coil resistance and impedance are provided as reference values (at 60 Hz).
  5. Power consumption drop was measured for the above data. When driving transistors, check leakage current and connect a bleeder resistor if required.

## ■ Contact Ratings

Item	Single-, double- or three-pole		Four-pole and High-sensitivity		High-capacity	
	Resistive load (cosf = 1)	Inductive load (cosf=0.4, L/R=7 ms)	Resistive load (cosf = 1)	Inductive load (cosf=0.4, L/R=7 ms)	Resistive load (cosf = 1)	Inductive load (cosf=0.4, L/R=7 ms)
<b>Rated load</b>	5 A, 220 VAC 5 A, 24 VDC	2 A, 220 VAC 2 A, 24 VDC	3 A, 220 VAC 3 A, 24 VDC	0.8 A, 220 VAC) 1.5 A, 24 VDC	7 A, 220 VAC 7 A, 24 VDC	3.5 A, 220 VAC 3.5 A, 24 VDC
<b>Carry current</b>	5 A		3 A		7 A	
<b>Max. switching voltage</b>	250 VAC 125 VDC		250 VAC 125 VDC		250 VAC 125 VDC	
<b>Max. switching current</b>	5 A	5 A	3 A	3 A	7 A	7 A
<b>Max. switching capacity</b>	1,100 VA 120 W	440 VA 48 W	660 VA 72 W	176 VA 36 W	1,540 VA 168 W	770 VA 84 W
<b>Min. permissible load*</b>	Standard type: 100 mA, 5 VDC Bifurcated type: 100 μA, 1 VDC		Standard and high sensitivity types: 1 mA, 1 VDC Bifurcated type: 100 μA, 1 VDC		—	

\*Note: P level:  $\lambda_{60} = 0.1 \times 10^{-6}$ /operation, reference value

## ■ Characteristics

Item	All relays but High-sensitivity Relays	High-sensitivity Relays
<b>Contact resistance</b>	50 mΩ max.	
<b>Operate time</b>	20 ms max.	
<b>Release time</b>	20 ms max.	
<b>Max. operating frequency</b>	Mechanical: 18,000 operations/hr Electrical: 1,800 operations/hr (under rated load)	
<b>Insulation resistance</b>	1,000 MΩ min. (at 500 VDC)	
<b>Dielectric withstand voltage</b>	2,000 VAC, 50/60 Hz for 1 min (1,000 VAC between contacts of same polarity)	1,500 VAC, 50/60 Hz for 1 min (1,000 VAC between contacts of same polarity)
<b>Vibration resistance</b>	Destruction: 10 to 55 Hz, 1.0-mm double amplitude Malfunction: 10 to 55 Hz, 1.0-mm double amplitude	
<b>Shock resistance</b>	Destruction: 1,000 m/s <sup>2</sup> (approx. 100G) Malfunction: 200 m/s <sup>2</sup> (approx. 20G)	
<b>Life expectancy</b>	See following table.	
<b>Ambient operating temperature*</b>	Single- and double-pole standard, bifurcated-contact, test-button, and high-humidity relays: –55°C to 70°C (with no icing) All other relays: –55°C to 60°C (with no icing)	
<b>Ambient operating humidity</b>	35% to 85%	
<b>Weight</b>	Approx. 85 g	

**Note:** The values given above are initial values.



**Approved by Standards**

Some MY Relays are available in models meeting various safety standards. When ordering, you must specify the desired standards. Refer to *Ordering Information* for specific models. Note that the ratings recognized by the various standards sometimes vary from the ratings of the individual relays.

**UL 508 Recognitions (File No. 41515)**

No. of poles	Coil ratings	Contact ratings
2	6 to 240 VAC 6 to 120 VDC	5 A, 120 VAC resistive load 5 A, 28 VDC resistive load 5 A, 240 VAC inductive load
3		5 A, 28 VDC resistive load 5 A, 240 VAC inductive load
4	6 to 240 VAC 6 to 120 VDC	3 A 28 VDC resistive load 3 A 120 VAC inductive load 1.5 A, 240 VAC inductive load 5 A, 240 VAC inductive load (between contacts of same polarity) 5 A, 28 VDC resistive load (between contacts of same polarity) 0.2 A, 120 VDC

**SEV**

Model	No. of poles	Coil ratings	Contact ratings
MY□	2, 3	6 to 100 VDC 6 to 220 VAC	5 A, 200 VAC 5 A, 24 VDC

**LR (No. 563KOB-204524)**

Model	No. of poles	Coil ratings	Contact ratings
MY□-LR	2	6 to 240 VAC 6 to 120 VDC	2 A, 30 VDC inductive load 2 A, 200 VAC inductive load
	4		1.5 A, 30 VDC inductive load 0.8 A, 200 VAC inductive load 1.5 A, 115 VAC inductive load

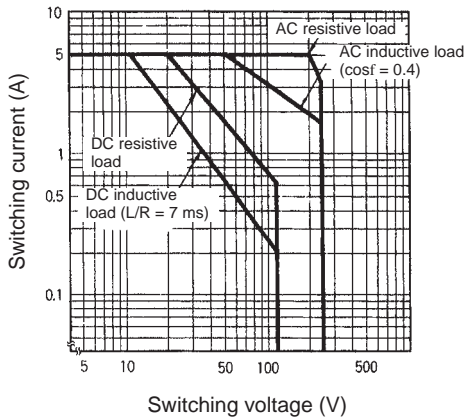
**CSA 22.2 No. 0 and No.14 (File No. LR31928)**

Model	No. of poles	Coil ratings	Contact ratings
MY□	2, 3	6 to 240 VAC 6 to 120 VDC	5 A, 28 VDC resistive load 5 A, 240 VAC inductive load
	4		3 A, 28VDC resistive load 3 A, 240 VAC inductive load 5 A, 240 VAC inductive load (between contacts of same polarity) 5 A, 28 VDC resistive load (between contacts of same polarity) 0.2 A, 120 VDC

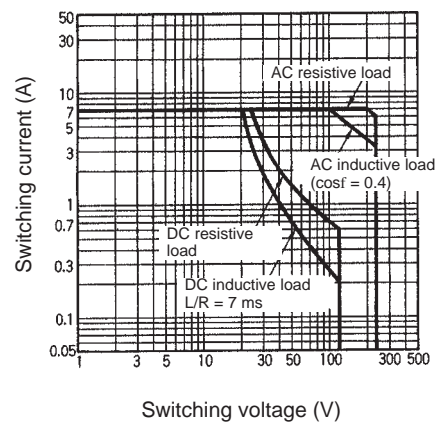
**Engineering Data**

**Maximum Switching Capacity**

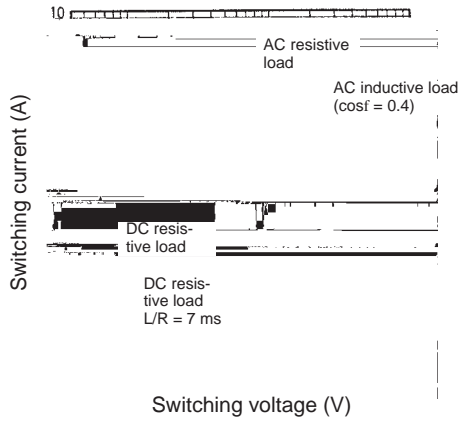
**MY1, MY2, MY3**



**MY2-Y**

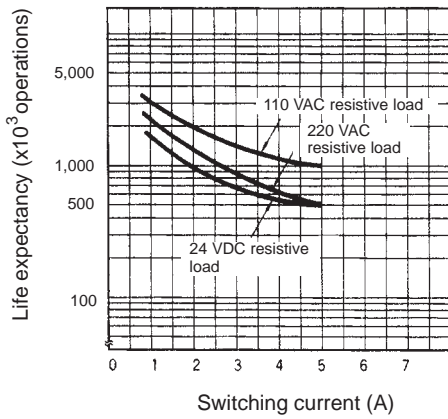


**MY4, MY4Z**

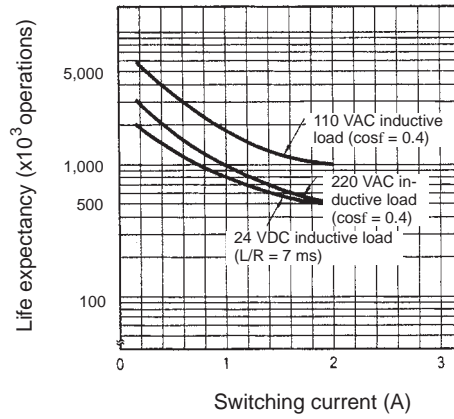


**Life Expectancy**

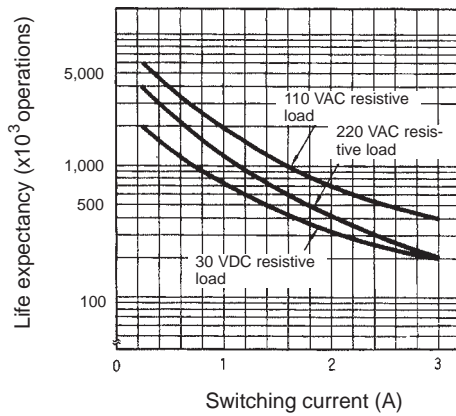
**MY1, MY2, MY3 (Resistive Loads)**



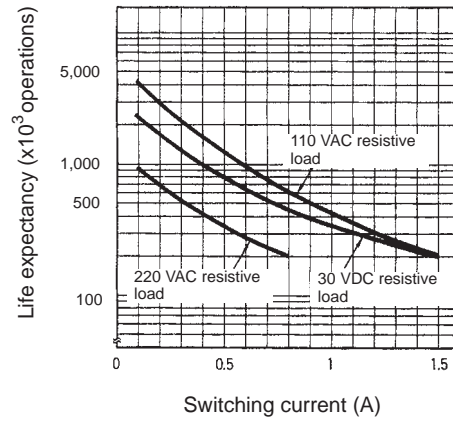
**MY1, MY2, MY3 (Inductive Loads)**



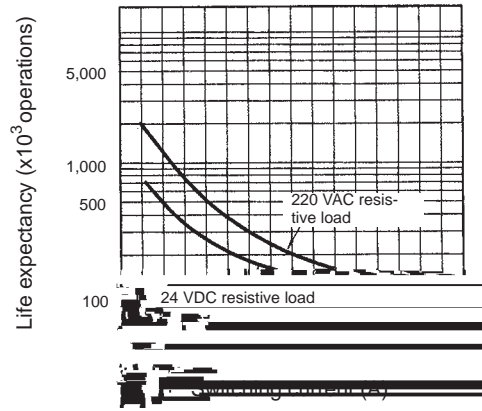
**MY4 (Resistive Loads)**



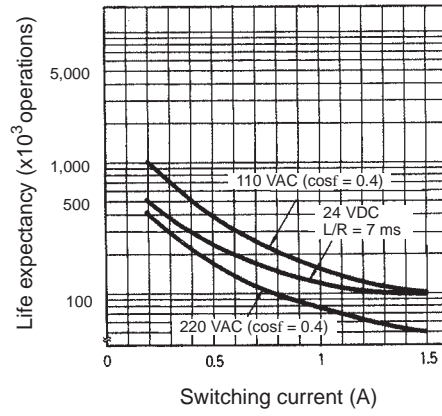
**MY4 (Inductive Loads)**



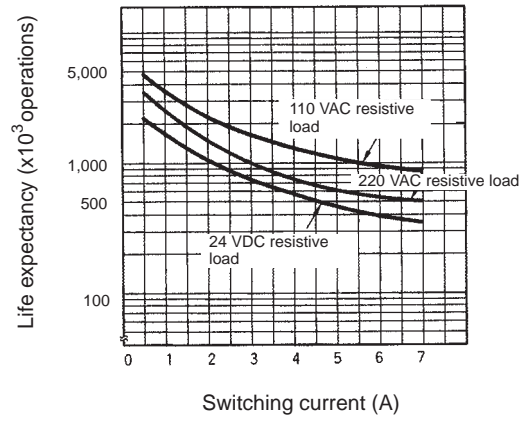
**MY4Z (Resistive Loads)**



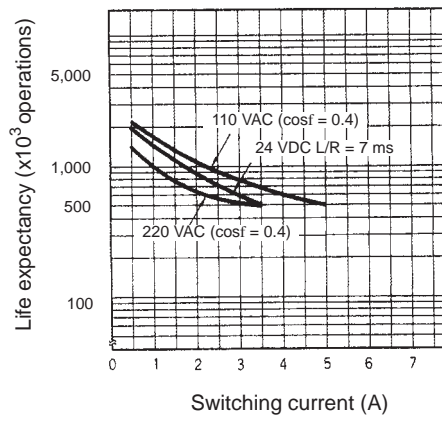
**MY4Z (Inductive Loads)**



**MY2-Y (Resistive Loads)**



**MY2-Y (Inductive Loads)**



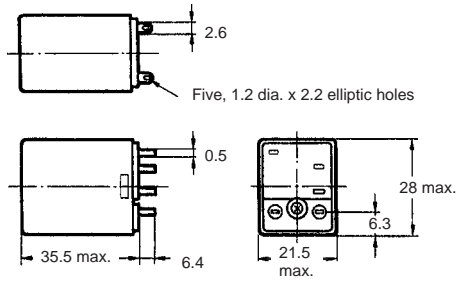
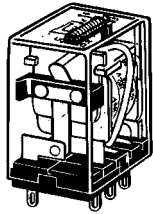


# Dimensions

**Note:** All units are in millimeters unless otherwise indicated.

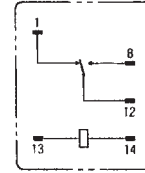
## Relays with Solder Terminals

### MY1

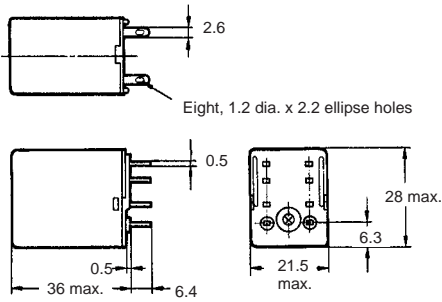
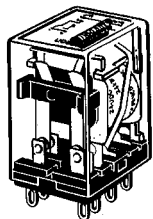


### Terminal arrangement/internal connections (bottom view)

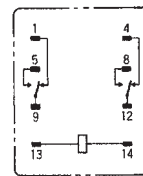
#### MY1



### MY2, MY2-TU, MY2N, MY2N-D2

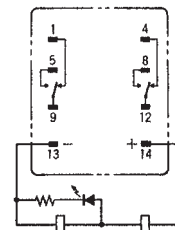


#### Standard

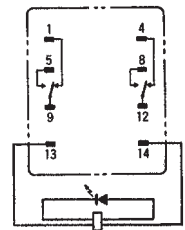


#### MY2N

##### DC type

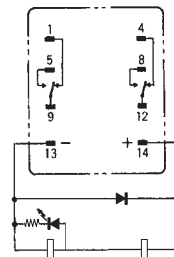


##### AC type

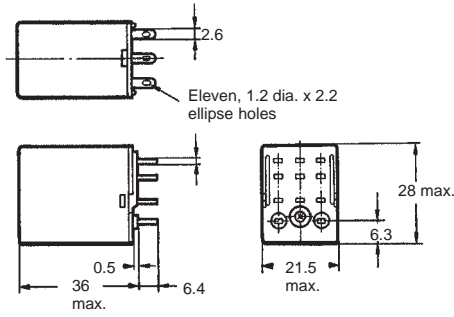
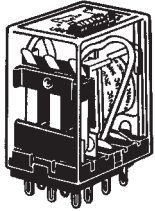


- Note:**
1. AC type is equipped with a coil disconnection self-diagnostic function.
  2. Pay due attention as DC type has polarity.

#### MY2N-D2

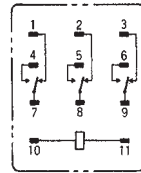


MY3, MY3-TU, MY3N, MY3N-D2, MYC3

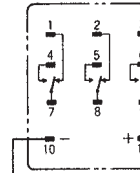


MY3N

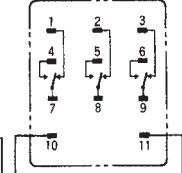
Standard



DC type

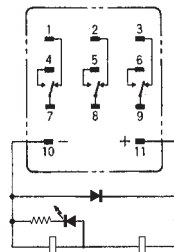


AC type



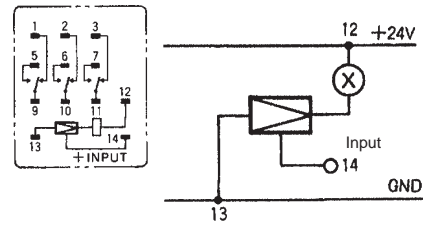
- Note:**
1. AC type is equipped with a coil disconnection self-diagnostic function.
  2. Do not reverse the polarity of DC relays.

MY4N-D2



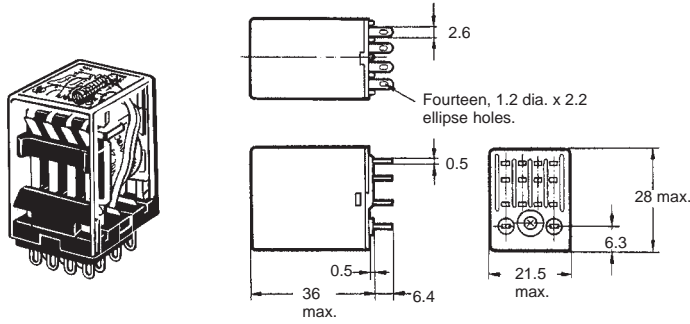
MYC3

Coil connections



- Note:** The MYC3 High-sensitivity Relay incorporates a semi-conductor. A surge-absorb element should be attached to it if the relay is used with a load that can generate noise, or a surge current cannot be avoided in the circuit.

MY4, MY4-TU



Terminal arrangement/internal connections (bottom view)

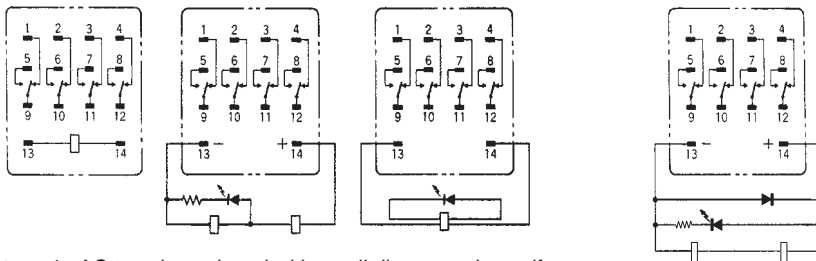
MY4N

MY4N-D2

Standard

DC type

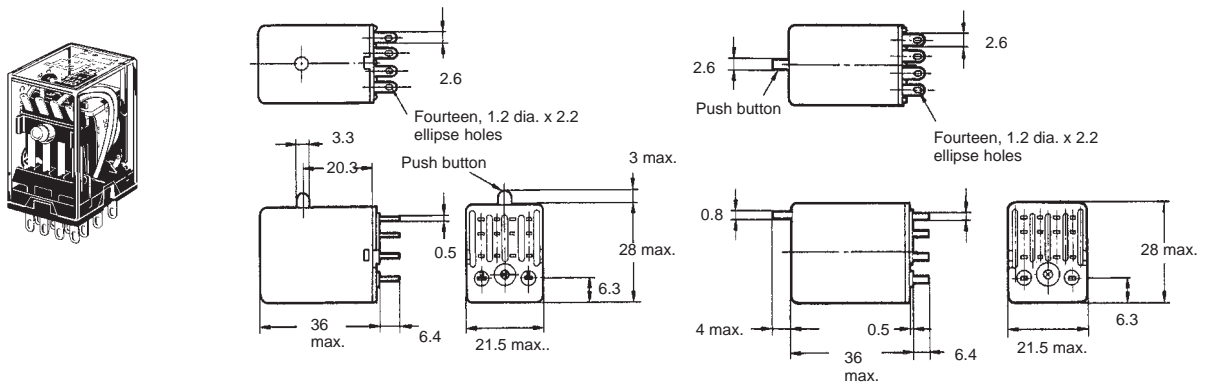
AC type



- Note:**
1. AC type is equipped with a coil disconnection self-diagnostic function.
  2. Do not reverse the polarity of DC relays.

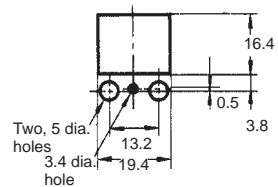
MY□I4

MY□I



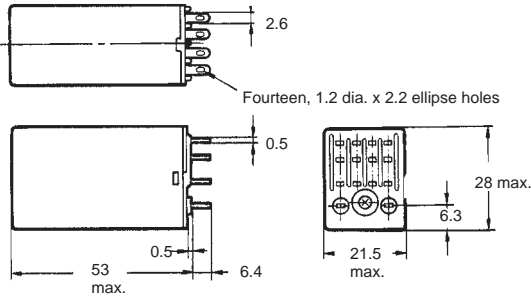
- Note:**
1. Mount the relay with a socket.
  2. The above dimensions are for -G type relays (with mounting studs).
  3. Test button  
I4: AC with red push button  
DC with blue push button

Mounting holes

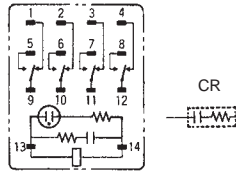


**Note:** The terminal arrangement and internal connections of the above relays are as same as these of MY□ relays.

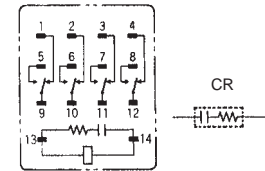
MY□(N)-CR, MY□(Z)-CR, MY4N-D4



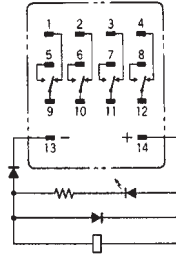
MY□(N)-C  
R



MY□(Z)-C  
R



MY4N-D4

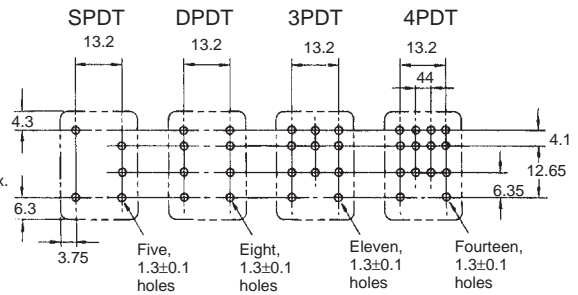
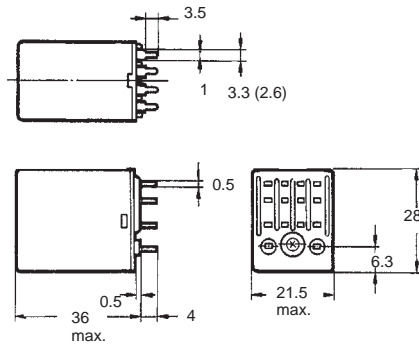
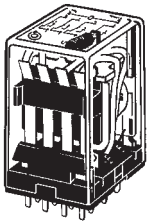


■ Relays with PCB Terminals

MY□-02

MY4-02 (4PDT)

PC board mounting holes



- Note:**
1. The figures in the parentheses are for MY4-02.
  2. The above dimensions also apply to the SPDT, DPDT, and 3PDT relays.
  4. The internal connections of the above relays are as same as these of MY□ relays.

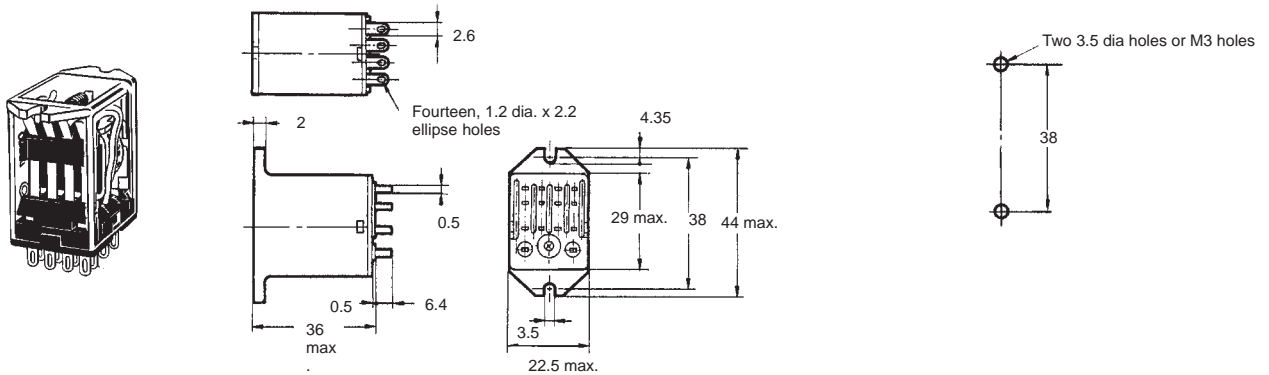
**Note:** The tolerance is  $\pm 0.1$ .

■ Upper-mounting Relays

MY□F

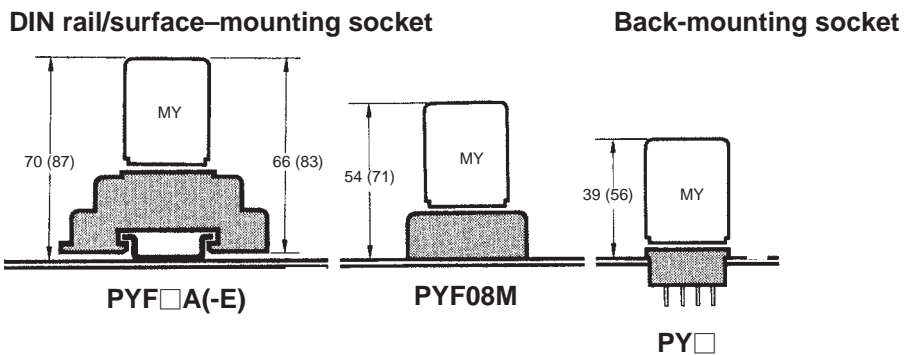
MY4F

Mounting holes



- Note:**
1. The above dimensions also apply to the SPDT, DPDT, and 3PDT relays.
  2. The internal connections of the above relays are as same as these of MY□ relays.

■ Mounting Height with Socket



- Note:**
1. The PTF-A can be rail-mounted or screw-mounted.
  2. For the MY□-CR (CR circuit built-in type) model, figure in the parentheses apply.
  3. PYC-P hold down clip should be used with PYF08M.

■ Sockets

PYF08A-E

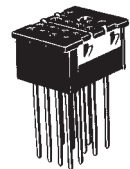
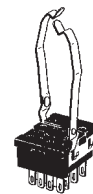
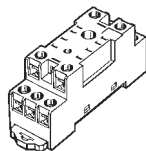
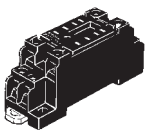
PYF08A-N

PYF14A-N

PY14

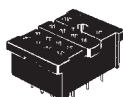
PY14-Y1

PY14QN(2)



PY14QN(2)-Y1

PY14-02

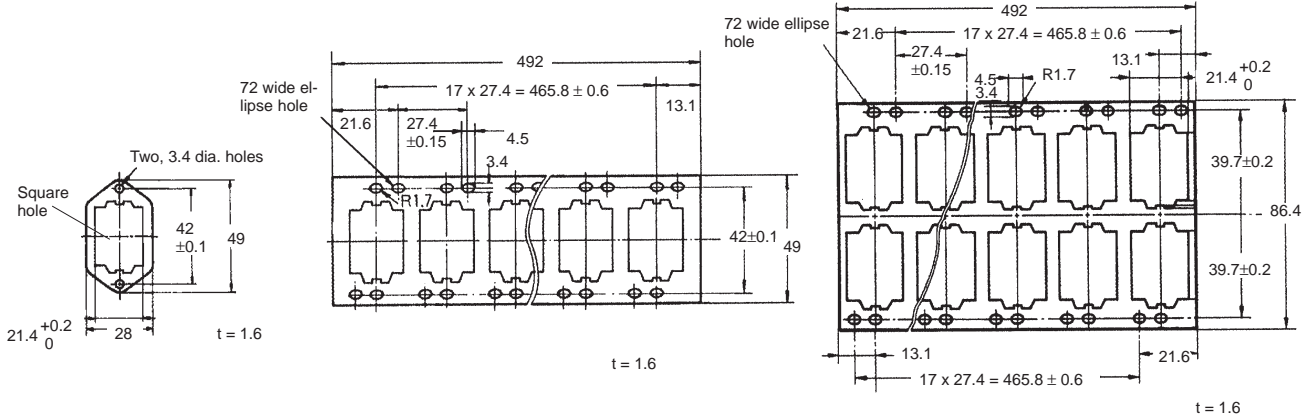


Mounting Plates for Sockets

PYP-1

PYP-18

PYP-36



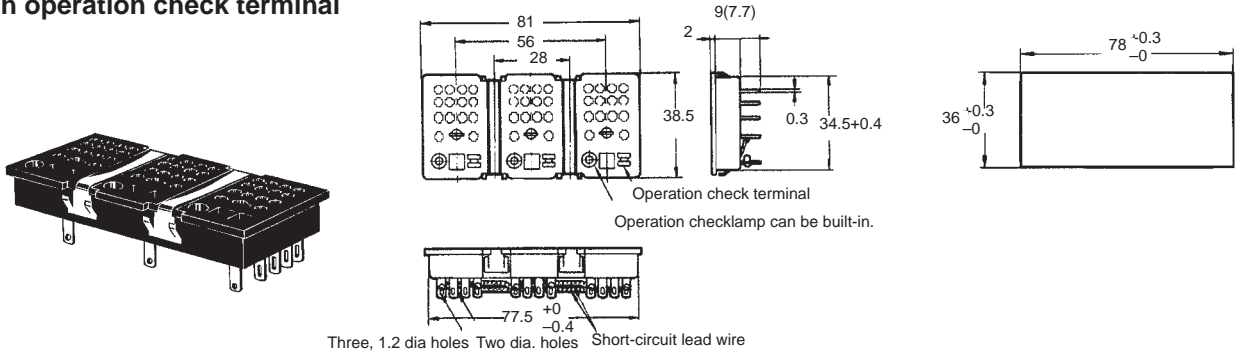
Hold-down Clips

Hold-down clips are used to hold relays to sockets and prevent them from coming loose due to vibration or shock.

Connection to socket		Connection to mounting plate	For relays with test buttons	For relays with CR circuits	
<b>PYC-A1</b>	<b>PYC-P</b>	<b>PYC-S</b>	<b>PYC-P2</b>	<b>Y92H-3</b>	<b>PYC-1</b>

PY14-3 (for 4PDT) with operation check terminal

Mounting holes



■ Safety Standards for Sockets

Item	Standards	File No.
PYF08A (-E), PYF11A	UL508	E87929
PYF14A (-E)	CSA22.2	LR31928

## Precautions

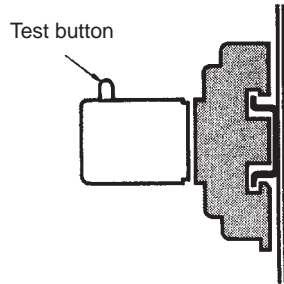
---

### ■ Connections

Do not reverse polarity when connecting DC-operated relays with built-in diodes or indicators or high-sensitivity DC-operated relays.

### ■ Mounting

- Whenever possible, mount relays so that it is not subject to vibration or shock in the same direction as that of contact movement.
- The test button should be pointed upwards when mounting (refer to the right figure).



**ALL DIMENSIONS SHOWN ARE IN MILLIMETERS.**

To convert millimeters into inches, multiply by 0.03937. To convert grams into ounces, multiply by 0.03527.

Cat. No. J01-E1-11 **In the interest of product improvement, specifications are subject to change without notice.**

## **OMRON Corporation**

Relay Division  
28th Fl., Crystal Tower Bldg.  
1-2-27, Shiromi, Chuo-ku,  
Osaka 540 Japan  
Phone: 06-949-6125 Fax: 06-949-6134

Printed in Japan  
0794-2M



## X-ON Electronics

Largest Supplier of Electrical and Electronic Components

*Click to view similar products for [Omron manufacturer](#):*

Other Similar products are found below :

[E3X-DA41-S](#) [M7E-01DRN2](#) [E3X-SD11 2M](#) [S82Y-VM30D](#) [E3ZM-LS81H 2M](#) [WLCL-TS](#) [XS2FM12PVC4A2MLED](#) [XW2Z-300B](#) [F309VM](#) [G9EB-1-B DC48](#) [NT2S-SF123B-EV2](#) [44532-2050](#) [CJ2M-CPU32.1](#) [E2E2-X5Y2-US](#) [NT21-ST121-E](#) [G9EA-1 DC60](#) [K8AKTH11SAC100240](#) [E2J-JC4A](#) [WLCA2-2-TS](#) [E2E-X5ME2](#) [E3ZM-R66](#) [44532-2021](#) [G5LE-1-CF DC5](#) [XS2M-D824-4](#) [E3C-LS3R](#) [WLCA2-TS](#) [E2EC-C2R5C1](#) [G6A234PST40USDC5](#) [A-20G-B7-K](#) [G2RL1ECFDC48](#) [E5AC-CX4A5M-000](#) [E2K-L13MC1](#) [G5SB-1 DC5](#) [E2EM-X8X1 2M](#) [G3VM-S3](#) [F39-LGF](#) [A22E-M-01B](#) [A22-GG-10M](#) [G8N-1H DC12 SK](#) [G5RL-1A-E-HR-5DC](#) [LY1D-2-5S-AC120](#) [LY3-0-AC120](#) [M16-TR-24D](#) [CS1G-CPU43-E](#) [CS1G-CPU45H](#) [CS1WBC033](#) [CS1WCT041](#) [M22CAT1](#) [M22N-BC-TRA-RE](#) [61FG3AC110220](#)