

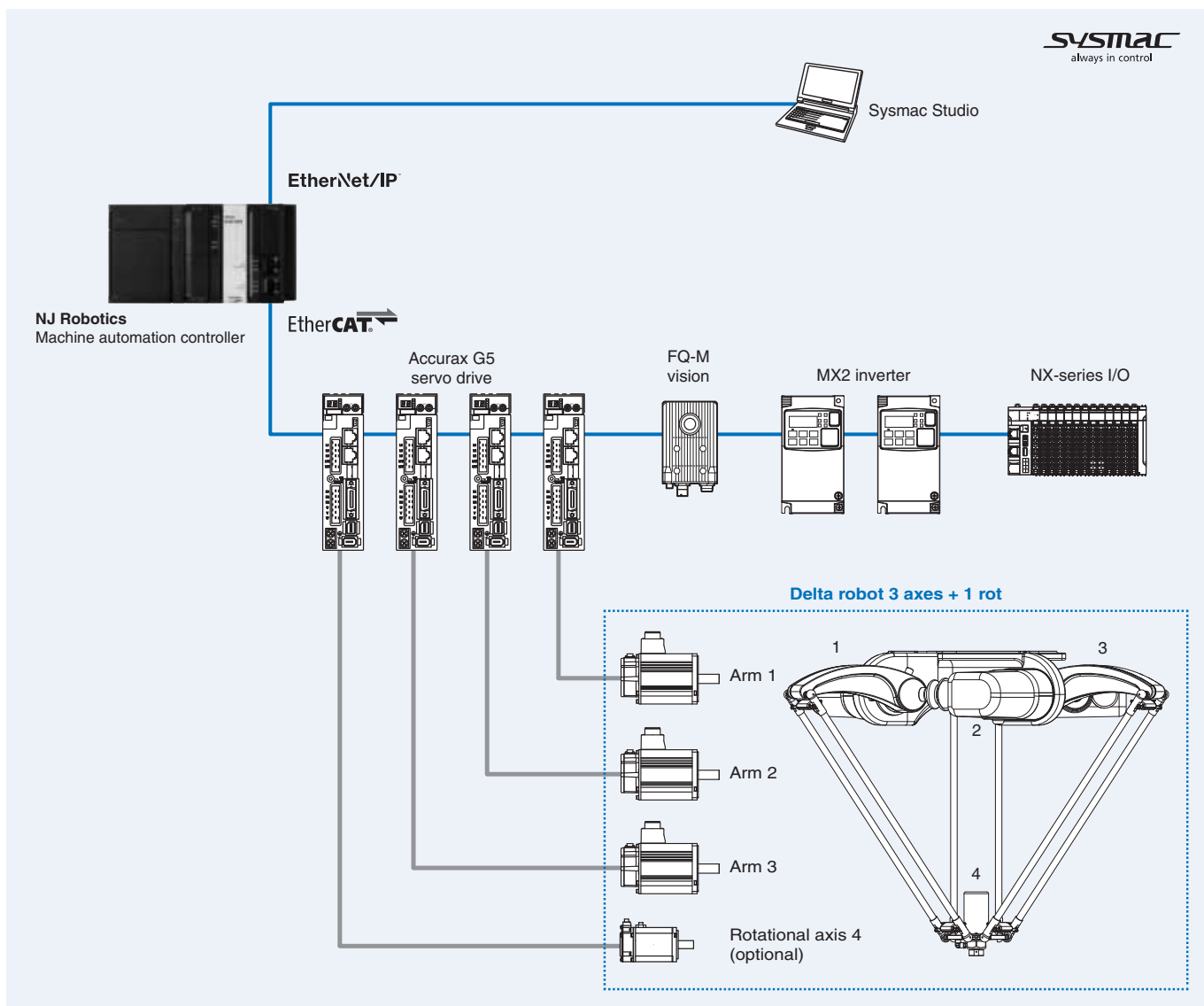
Delta robot 3 axes + 1 rot

The fastest picking system integrated in the Sysmac Platform

- Robot control integrated in the NJ robotics controller
- Control of up to 8 robots by one controller
- Degrees of freedom: 3 + 1 (rotational axis optional)
- Up to 200 cycle per minute
- Models from 500 to 1,600 mm working range
- Payload range: 1 to 8 kg
- Different types of Delta robot arms
- IP class range: IP65, IP67, IP69K
- Anti-collision detection option



System configuration



Note: Servo motors included in the Delta robot.

Specifications

Delta robot 3 axes + 1 rot series

IP69K protection class models

Model		CR_UGD4_XL_HD□		CR_UGD4_HD□		CR_UGD4_XS_HD□		
		With rotational axis	Without rotational axis	With rotational axis	Without rotational axis	With rotational axis	Without rotational axis	
Working volume	X, Y axis (stroke)	Ø 1,300 mm		Ø 1,100 mm		Ø 650 mm		
	Z axis (stroke) ¹	250 mm (maximum Ø 1,300 mm) 400 mm (center Ø 870 mm)		250 mm (maximum Ø 1,100 mm) 400 mm (center Ø 670 mm)		200 mm (maximum Ø 650 mm) 270 mm (center Ø 407.5 mm)		
	θ axis (rotation angle)	±180 deg (default setting, it can be changed)	-	±180 deg (default setting, it can be changed)	-	±180 deg (default setting, it can be changed)	-	
Servo motor	Arm 1, 2, 3	Model	R88M-K1K030T-BS2-V2					
		Capacity	1,000 W					
	Rotational axis 4	Model	R88M-K75030T-BS2	-	R88M-K75030T-BS2	-	R88M-K75030T-BS2	-
		Capacity	750 W	-	750 W	-	750 W	-
Repeatability ²	X, Y, Z axis	±0.2 mm						
	θ axis	±0.3 deg	-	±0.3 deg	-	±0.3 deg	-	
Maximum payload		2 kg						
Maximum through-put ³		120 CPM ⁴		150 CPM ⁴		170 CPM ⁴		
Gear box ratio	X, Y, Z axis	1:31						
	θ axis	1:10	-	1:10	-	1:10	-	
θ axis torque limitation		16 Nm		16 Nm		16 Nm		
Travel limit		1. Soft limit, 2. Mechanical stopper (X, Y, Z axis)						
Noise level		< 68 dB (A)						
Ambient temperature		Operating: 5°C to 45°C Storage: -25°C to 60°C						
Relative humidity		Max. 90%						
Protection class		IP69K						
Weight		100 kg						

¹. For further details please check the dimensional drawing in the next section.

². This is the value at a constant ambient temperature.

³. With 0.1 kg payload. When reciprocating 305 mm in horizontal and 25 mm in vertical directions.

⁴. CPM: Cycle per minutes. Check the note 3 for the cycle definition.

IP67 protection class models

Model		R6Y3□110□03067NJ5			R6Y3□065□02067NJ5			
		With high inertia rotational axis	With low inertia rotational axis	Without rotational axis	With high inertia rotational axis	With low inertia rotational axis	Without rotational axis	
Working volume	X, Y axis (stroke)	Ø 1,100 mm			Ø 650 mm			
	Z axis (stroke) ¹	300 mm (maximum Ø 1,100 mm) 450 mm (center Ø 580 mm)			150 mm (maximum Ø 650 mm) 250 mm (center Ø 480 mm)			
	θ axis (rotation angle)	±180 deg (default setting, it can be changed)		-	±180 deg (default setting, it can be changed)		-	
Servo motor	Arm 1, 2, 3	Model	R88M-K1K030T-BS2					
		Capacity	1,000 W					
	Rotational axis 4	Model	R88M-K10030T-S2	R88M-K05030T-S2	-	R88M-K10030T-S2	R88M-K05030T-S2	-
		Capacity	100 W	50 W	-	100 W	50 W	-
Repeatability ²	X, Y, Z axis	±0.2 mm			±0.1 mm			
	θ axis	±0.1 deg		-	±0.1 deg		-	
Maximum payload		3 kg			2 kg			
Maximum through-put ³		150 CPM ⁴			200 CPM ⁴			
θ axis tolerable moment of inertia ⁵		0.035 kgm ²	0.01 kgm ²	-	0.035 kgm ²	0.01 kgm ²	-	
User tubing (outer diameter)		Ø 6						
Travel limit		1. Soft limit, 2. Mechanical stopper (X, Y, Z axis)						
Noise level		< 73.7 dB (A)			< 64.5 dB (A)			
Ambient temperature		0°C to 45°C						
Relative humidity		Max. 85%						
Protection class		IP67						
Weight		75 kg			32 kg			

¹. For further details please check the dimensional drawing in the next section.

². This is the value at a constant ambient temperature.

³. With 0.1 kg payload. When reciprocating 305 mm in horizontal and 25 mm in vertical directions.

⁴. CPM: Cycle per minutes. Check the note 3 for the cycle definition.

⁵. There are limits to acceleration coefficient settings.

IP65 protection class models

Model		CR_UGD4_XXLH		CR_UGD4_XXL1300H		
		With rotational axis	Without rotational axis	With rotational axis	Without rotational axis	
Working volume	X, Y axis (stroke)	Ø 1,600 mm		Ø 1,300 mm		
	Z axis (stroke) ^{*1}	350 mm (maximum Ø 1,600 mm) 550 mm (center Ø 814 mm)		300 mm (maximum Ø 1,300 mm) 450 mm (center Ø 780 mm)		
	θ axis (rotation angle)	±180 deg (default setting, it can be changed)	-	±180 deg (default setting, it can be changed)	-	
Servo motor	Arm 1, 2, 3	Model	R88M-K3K030C-BS2			
		Capacity	3,000 W			
	Rotational axis 4	Model	R88M-K1K030C-BS2	-	R88M-K1K030C-BS2	-
		Capacity	1,000 W	-	1,000 W	-
Repeatability ^{*2}	X, Y, Z axis	±1 mm				
	θ axis	±0.3 deg	-	±0.3 deg	-	
Maximum payload		8 kg				
Maximum through-put ^{*3}		80 CPM ^{*4}		90 CPM ^{*4}		
Gear box ratio	X, Y, Z axis	1:38,5				
	θ axis	1:20	-	1:20	-	
θ axis torque limitation		60 Nm		26 Nm		
User tubing (outer diameter)		Ø 8 ^{*5}				
Travel limit		1. Soft limit, 2. Mechanical stopper (X, Y, Z axis)				
Noise level		< 70 dB (A)		< 68 dB (A)		
Ambient temperature		5°C to 45°C				
Relative humidity		Max. 90%				
Protection class		IP65				
Weight		115 kg		90 kg		

*1. For further details please check the dimensional drawing in the next section.

*2. This is the value at a constant ambient temperature.

*3. With 0.1 kg payload. When reciprocating 305 mm in horizontal and 25 mm in vertical directions.

*4. CPM: Cycle per minutes. Check the note 3 for the cycle definition.

*5. Only for the air suctioning. The air injection is not allowed.

Model		CR_UGD4_XL		CR_UGD4		
		With rotational axis	Without rotational axis	With rotational axis	Without rotational axis	
Working volume	X, Y axis (stroke)	Ø 1,300 mm		Ø 1,100 mm		
	Z axis (stroke) ^{*1}	250 mm (maximum Ø 1,300 mm) 400 mm (center Ø 870 mm)		250 mm (maximum Ø 1,100 mm) 400 mm (center Ø 670 mm)		
	θ axis (rotation angle)	±180 deg (default setting, it can be changed)	-	±180 deg (default setting, it can be changed)	-	
Servo motor	Arm 1, 2, 3	Model	R88M-K1K030T-BS2			
		Capacity	1,000 W			
	Rotational axis 4	Model	R88M-K1K030T-BS2	-	R88M-K1K030T-BS2	-
		Capacity	1,000 W	-	1,000 W	-
Repeatability ^{*2}	X, Y, Z axis	±0.2 mm		±0.3 mm		
	θ axis	±0.3 deg	-	±0.4 deg	-	
Maximum payload		2 kg				
Maximum through-put ^{*3}		120 CPM ^{*4}		150 CPM ^{*4}		
Gear box ratio	X, Y, Z axis	1:31				
	θ axis	1:10	-	1:10	-	
θ axis torque limitation		16 Nm		16 Nm		
User tubing (outer diameter)		Ø 8 ^{*5}				
Travel limit		1. Soft limit, 2. Mechanical stopper (X, Y, Z axis)				
Noise level		< 68 dB (A)				
Ambient temperature		5°C to 45°C				
Relative humidity		Max. 90%				
Protection class		IP65				
Weight		65 kg				

*1. For further details please check the dimensional drawing in the next section.

*2. This is the value at a constant ambient temperature.

*3. With 0.1 kg payload. When reciprocating 305 mm in horizontal and 25 mm in vertical directions.

*4. CPM: Cycle per minutes. Check the note 3 for the cycle definition.

*5. Only for the air suctioning. The air injection is not allowed.

Model		CR_UGD4MINI		
		With rotational axis	Without rotational axis	
Working volume	X, Y axis (stroke)	Ø 500 mm		
	Z axis (stroke) ^{*1}	130 mm (maximum Ø 500 mm)	155 mm (maximum Ø 500 mm)	
	θ axis (rotation angle)	±180 deg (default setting, it can be changed)		
Servo motor	Arm 1, 2, 3	Model	R88M-K40030T-BS2	
		Capacity	400 W	
	Rotational axis 4	Model	R88M-K40030T-BS2	-
		Capacity	400 W	-
Repeatability ^{*2}	X, Y, Z axis	±0.2 mm		
	θ axis	±0.3 deg	-	
Maximum payload		1 kg		
Maximum through-put ^{*3}		200 CPM ^{*4}		
Gear box ratio	X, Y, Z axis	1:25		
	θ axis	1:1	-	
θ axis torque limitation		16 Nm	-	
User tubing (outer diameter)		Ø 8 ^{*5}		
Travel limit		1. Soft limit, 2. Mechanical stopper (X, Y, Z axis)		
Noise level		< 68 dB (A)		
Ambient temperature		5°C to 45°C		
Relative humidity		Max. 90%		
Protection class		IP65 ^{*6}		
Weight		25 kg		

*1. For further details please check the dimensional drawing in the next section.

*2. This is the value at a constant ambient temperature.

*3. With 0.1 kg payload. When reciprocating 305 mm in horizontal and 25 mm in vertical directions.

*4. CPM: Cycle per minutes. Check the note 3 for the cycle definition.

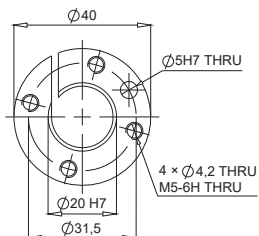
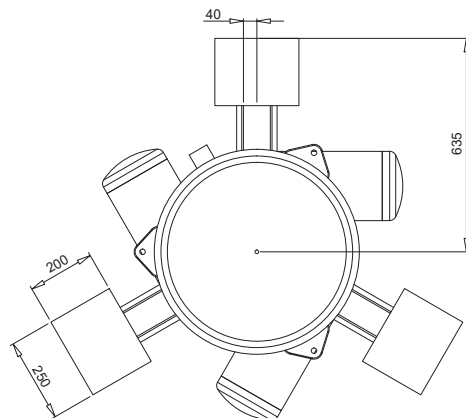
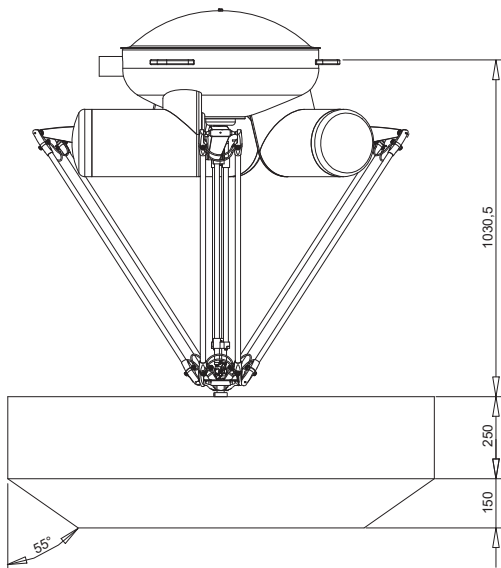
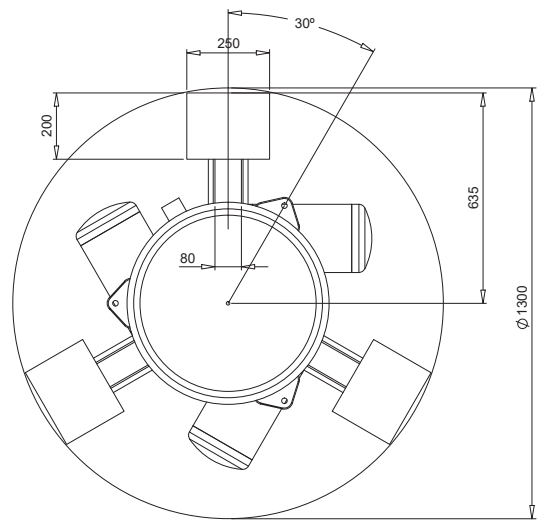
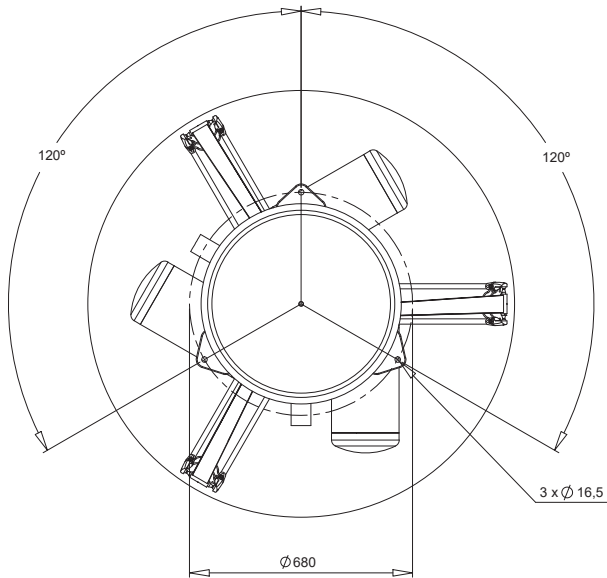
*5. Only for the air suctioning. The air injection is not allowed.

*6. The CR_UGD4MINI_□_TS models are delivered standard with stainless steel + titanium secondary arms.

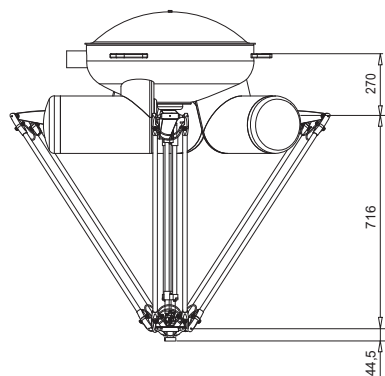
Dimensions

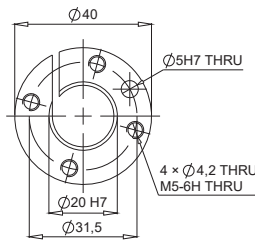
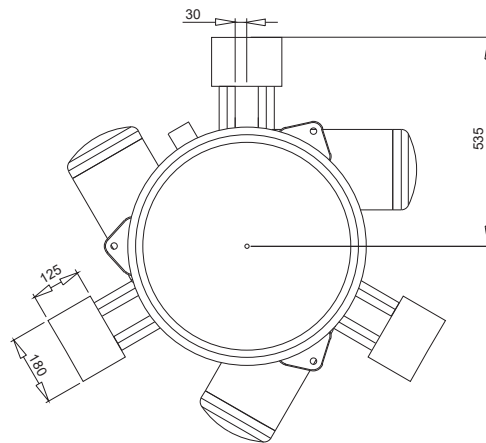
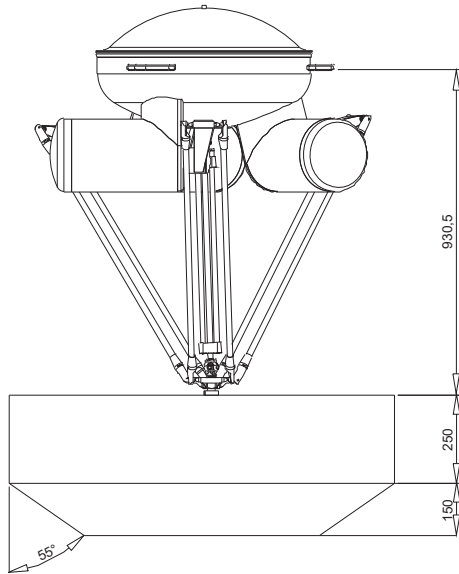
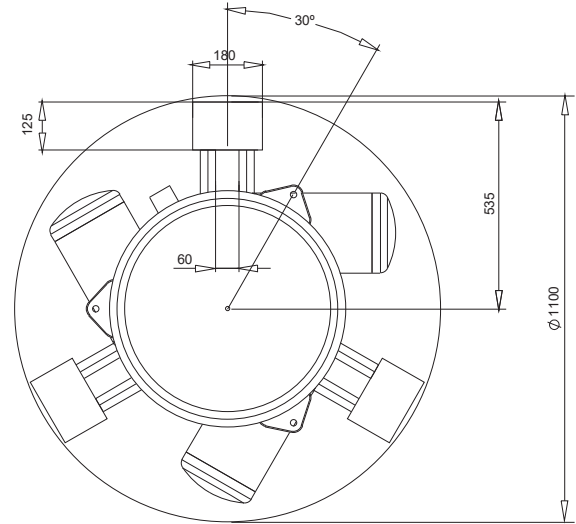
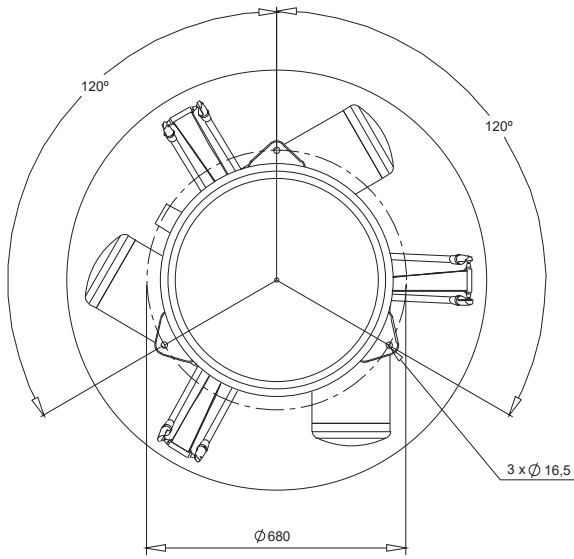
IP69K protection class models

CR_UGD4_XL □ R_HD □

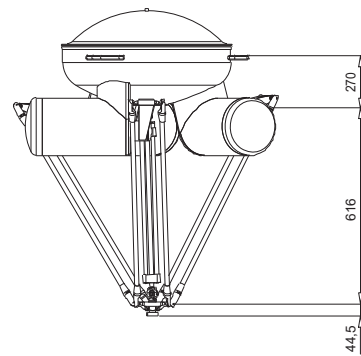


Gripper dimensions

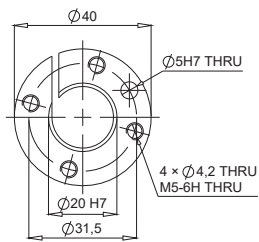
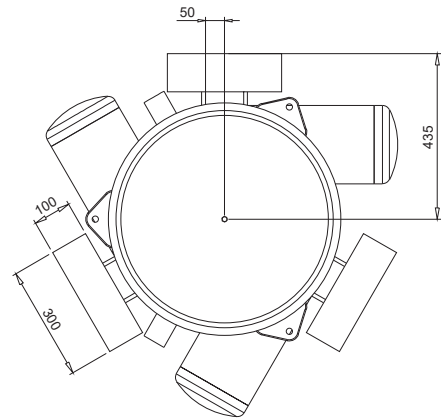
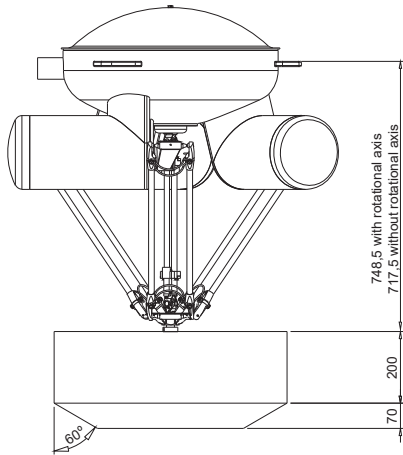
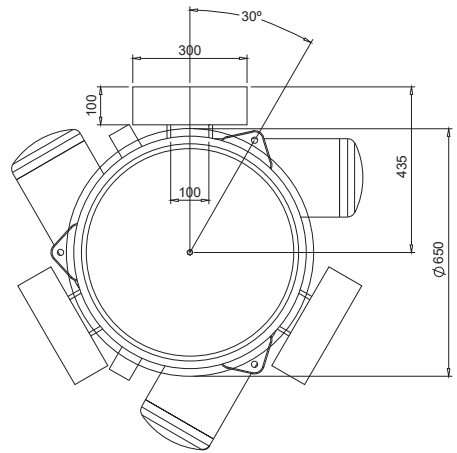
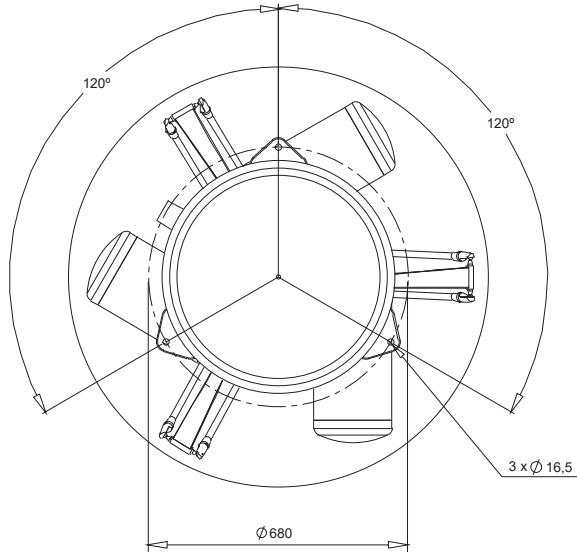




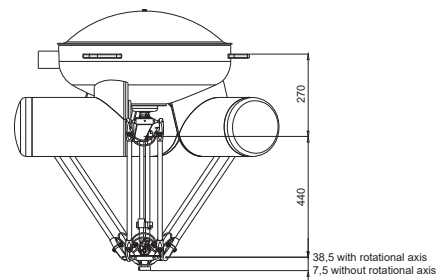
Gripper dimensions



CR_UGD4_XS_□R_HD□

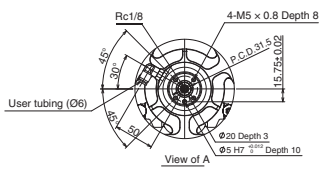
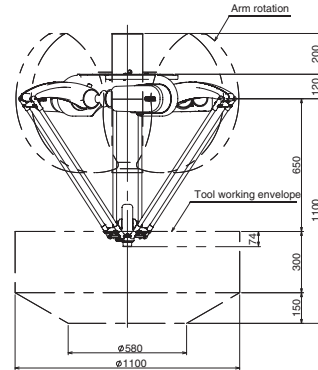
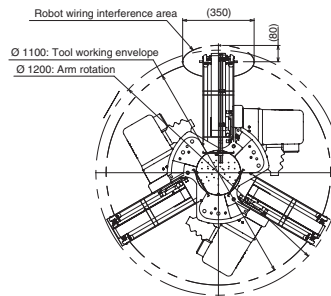
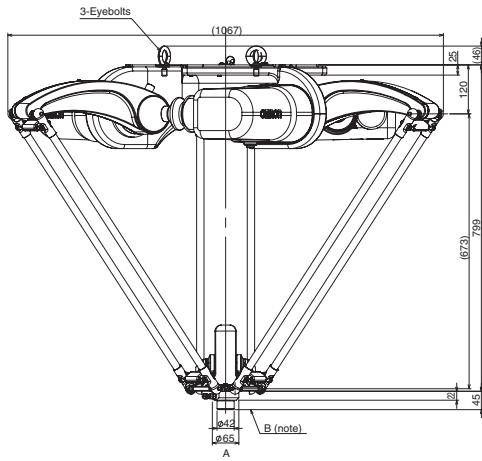
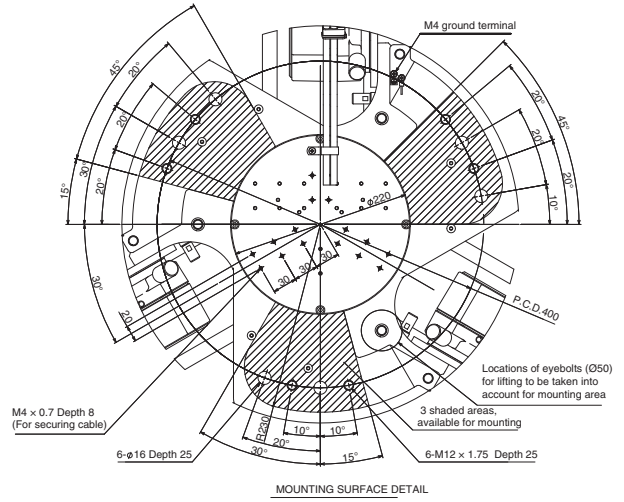
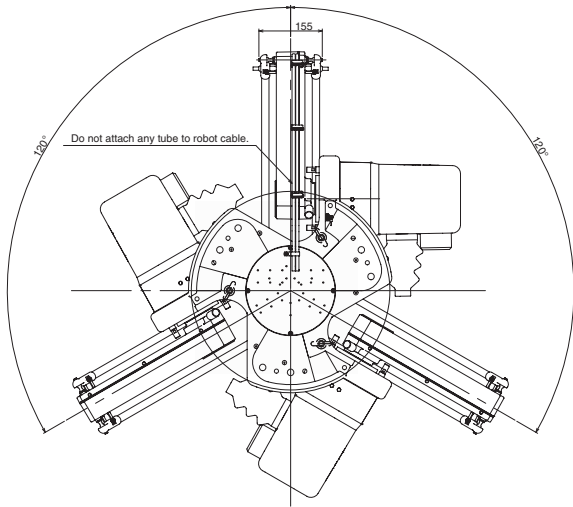


Gripper dimensions



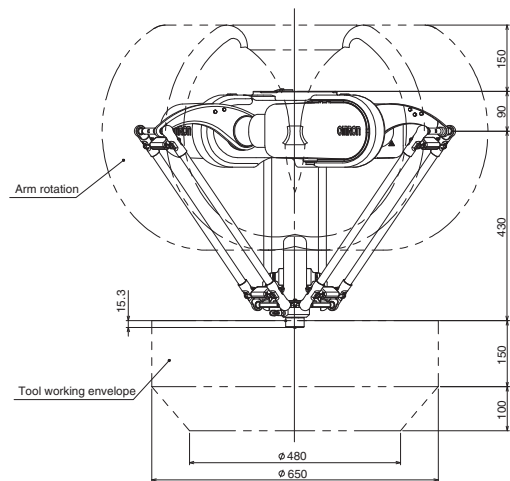
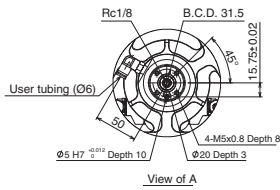
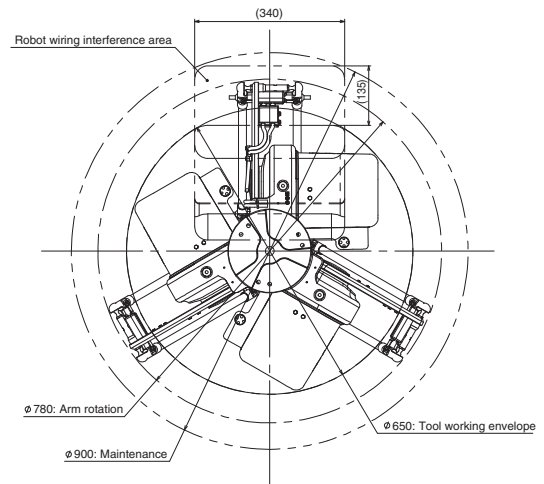
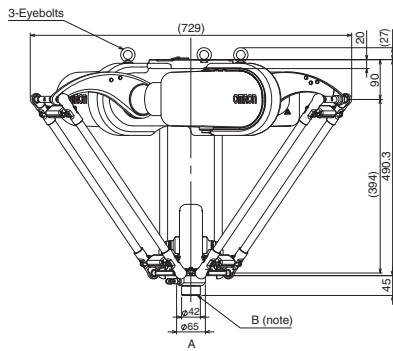
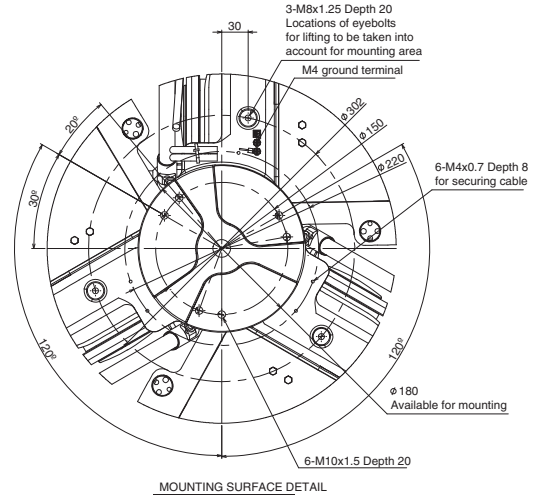
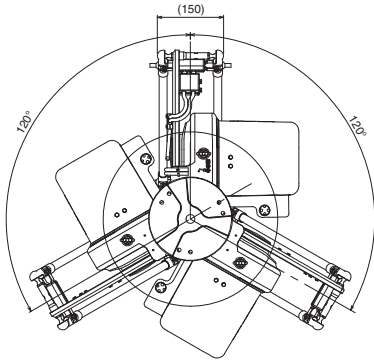
IP67 protection class models

R6Y3□110□03067NJ5



Note: The three areas of the robot base are available for mounting. Leave other area unoccupied for other needs (e.g. wiring). Also note the locations of the eyebolts when designing a mounting frame. Any part of end-effector should not stick out above the surface of B.

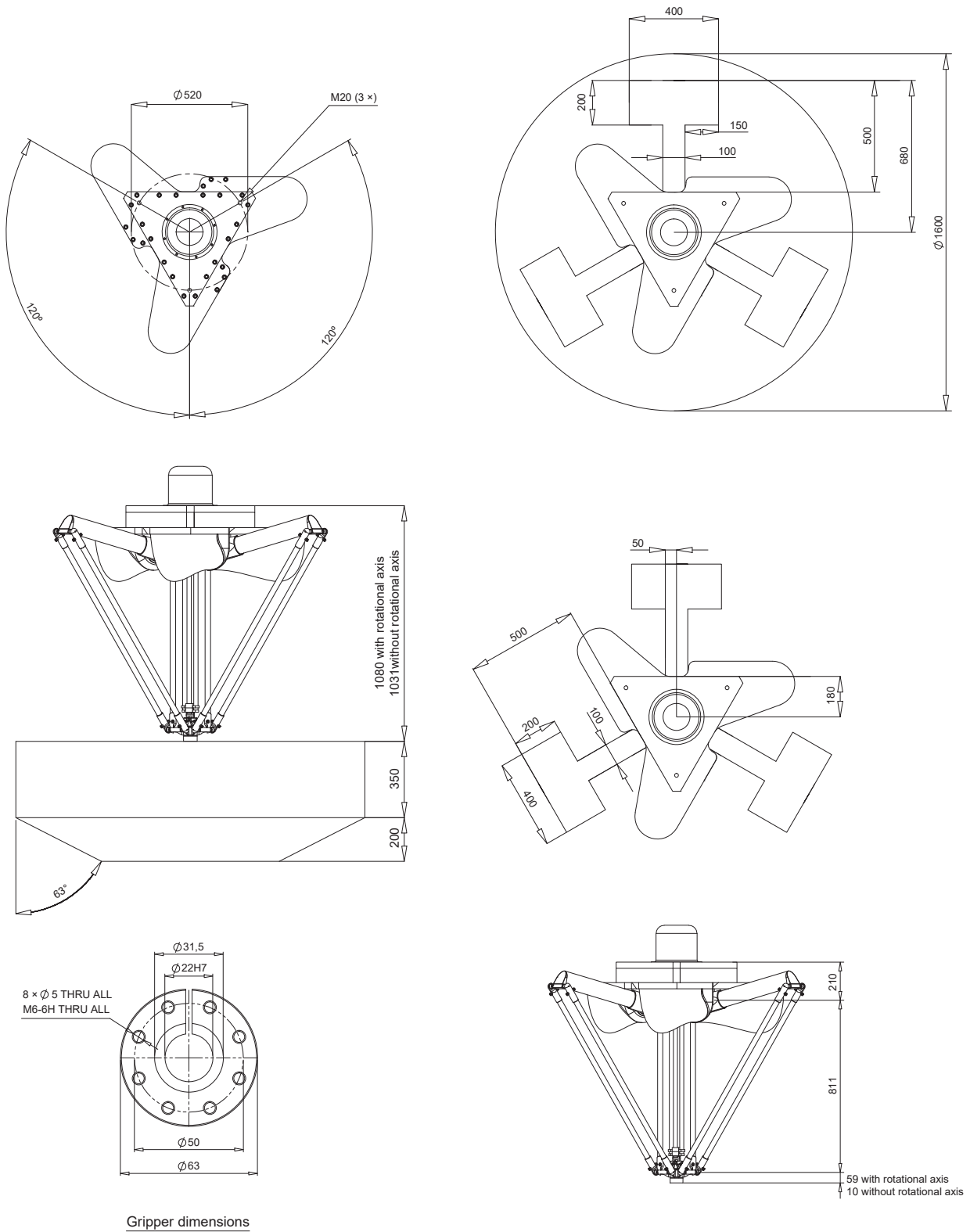
R6Y3□065□02067NJ5



Note: Mounting area should be smaller than 180 mm diameter to avoid collision with robot cable. Frame of base should not be in the arm moving area. Any part of end-effector should not stick out above the surface of B.

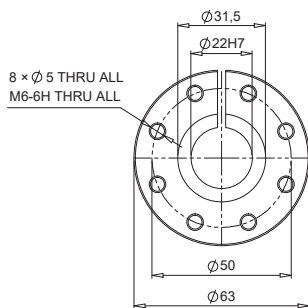
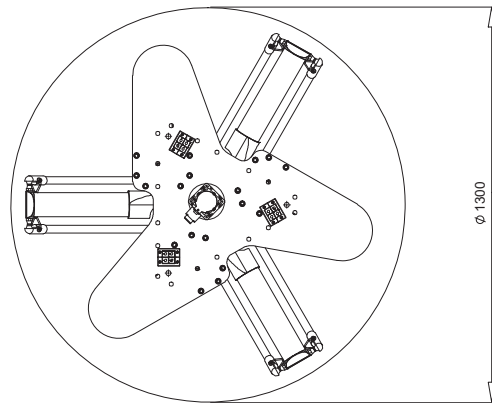
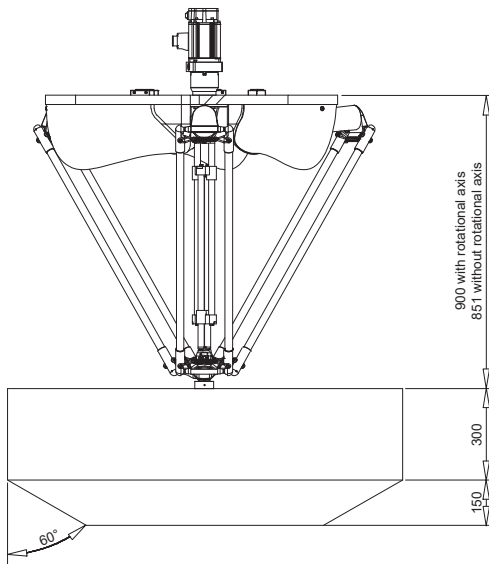
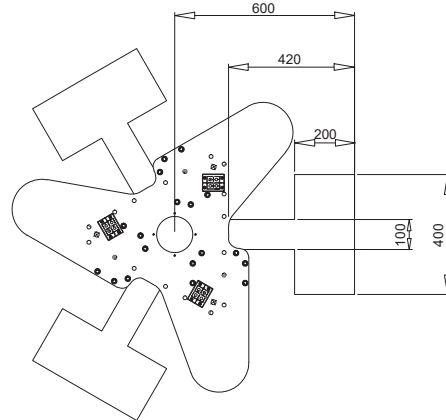
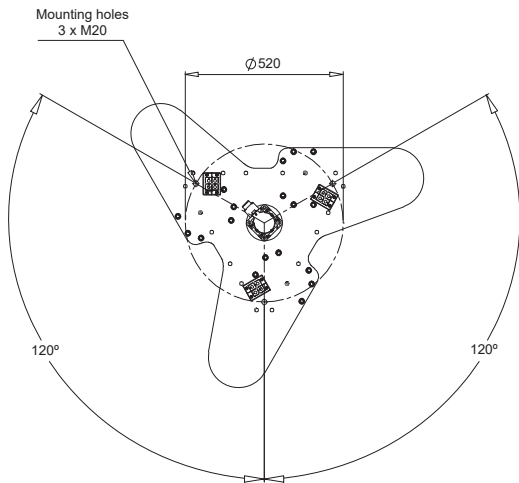
IP65 protection class models

CR_UGD4_XXLH_□R

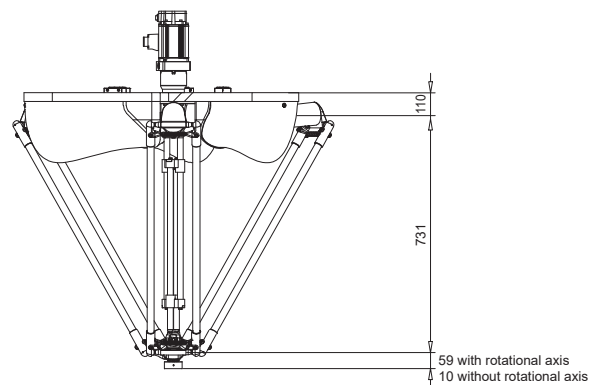


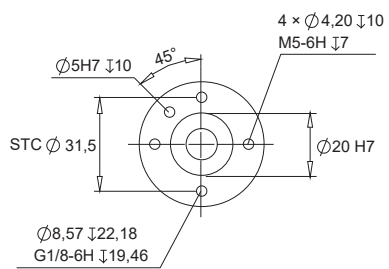
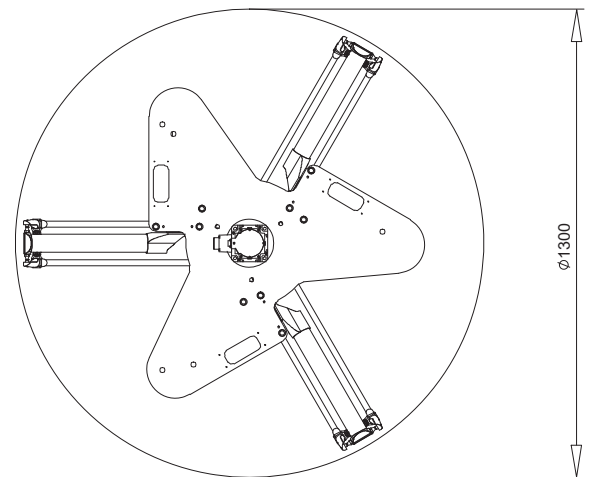
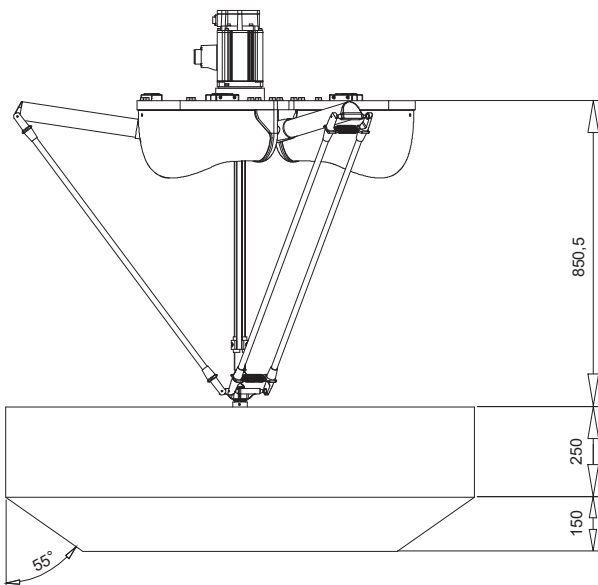
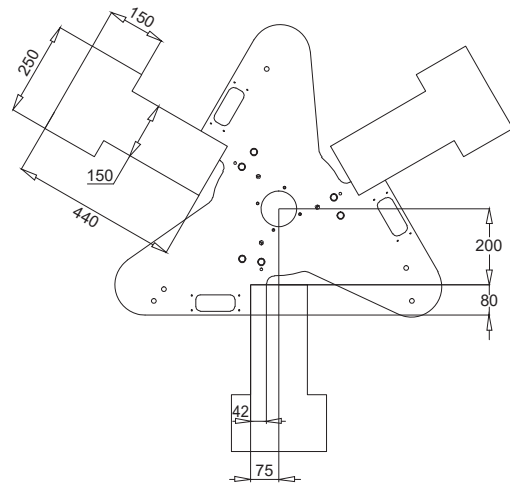
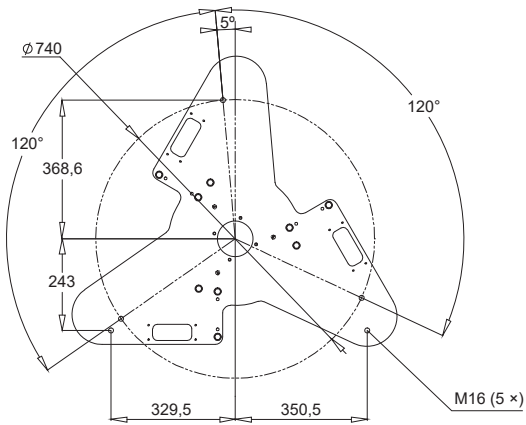
Gripper dimensions

CR_UGD4_XXL1300H_□R

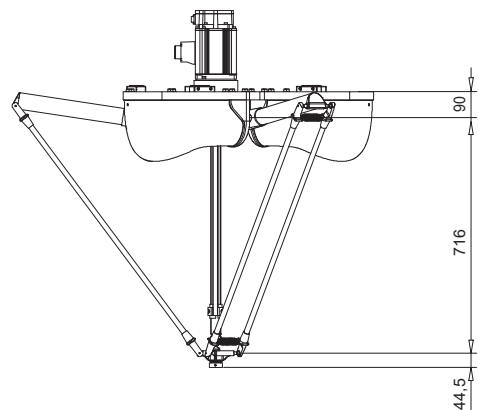


Gripper dimensions

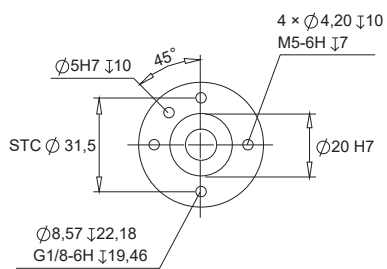
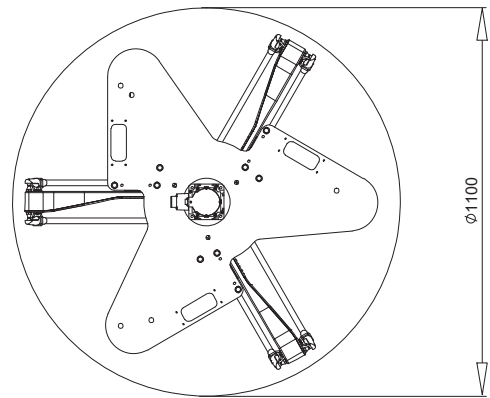
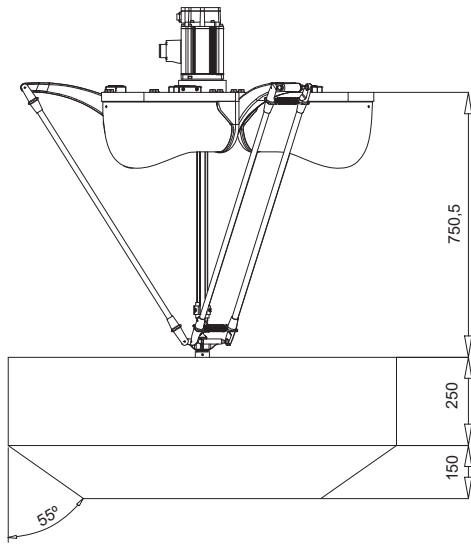
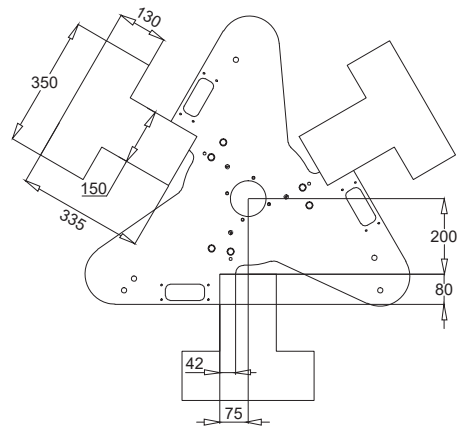
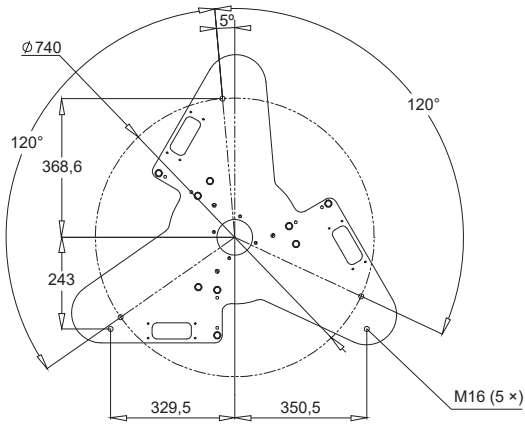




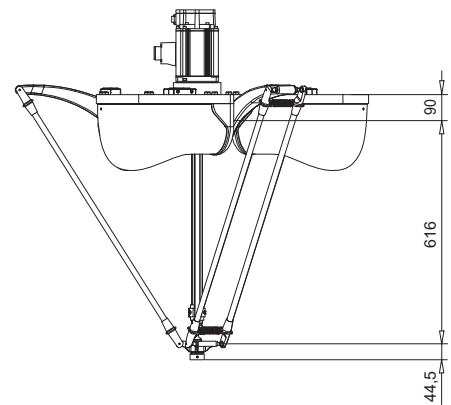
Gripper dimensions

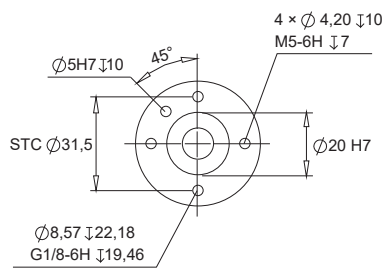
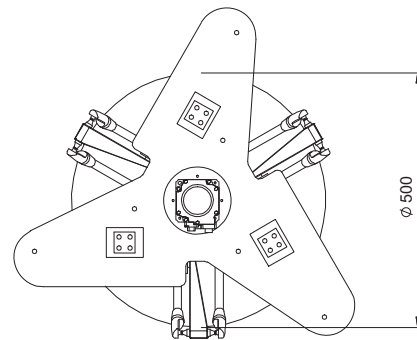
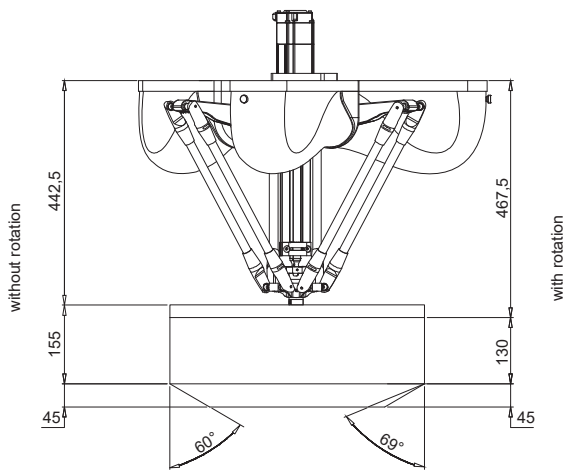
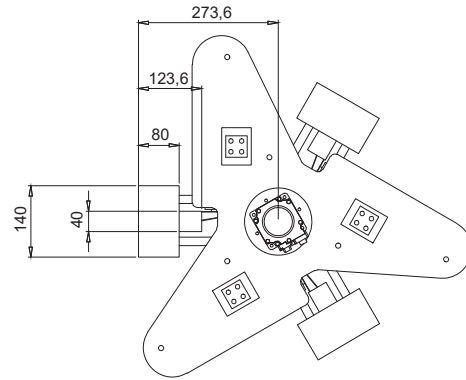
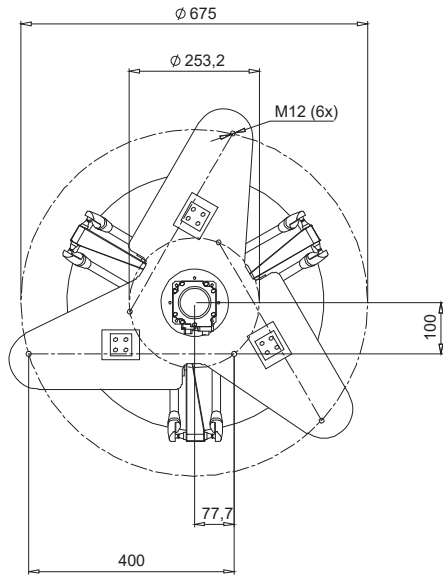


CR_UGD4_□R

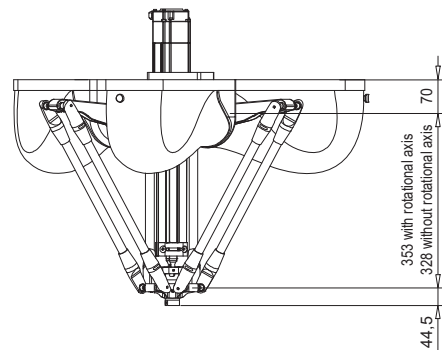


Gripper dimensions

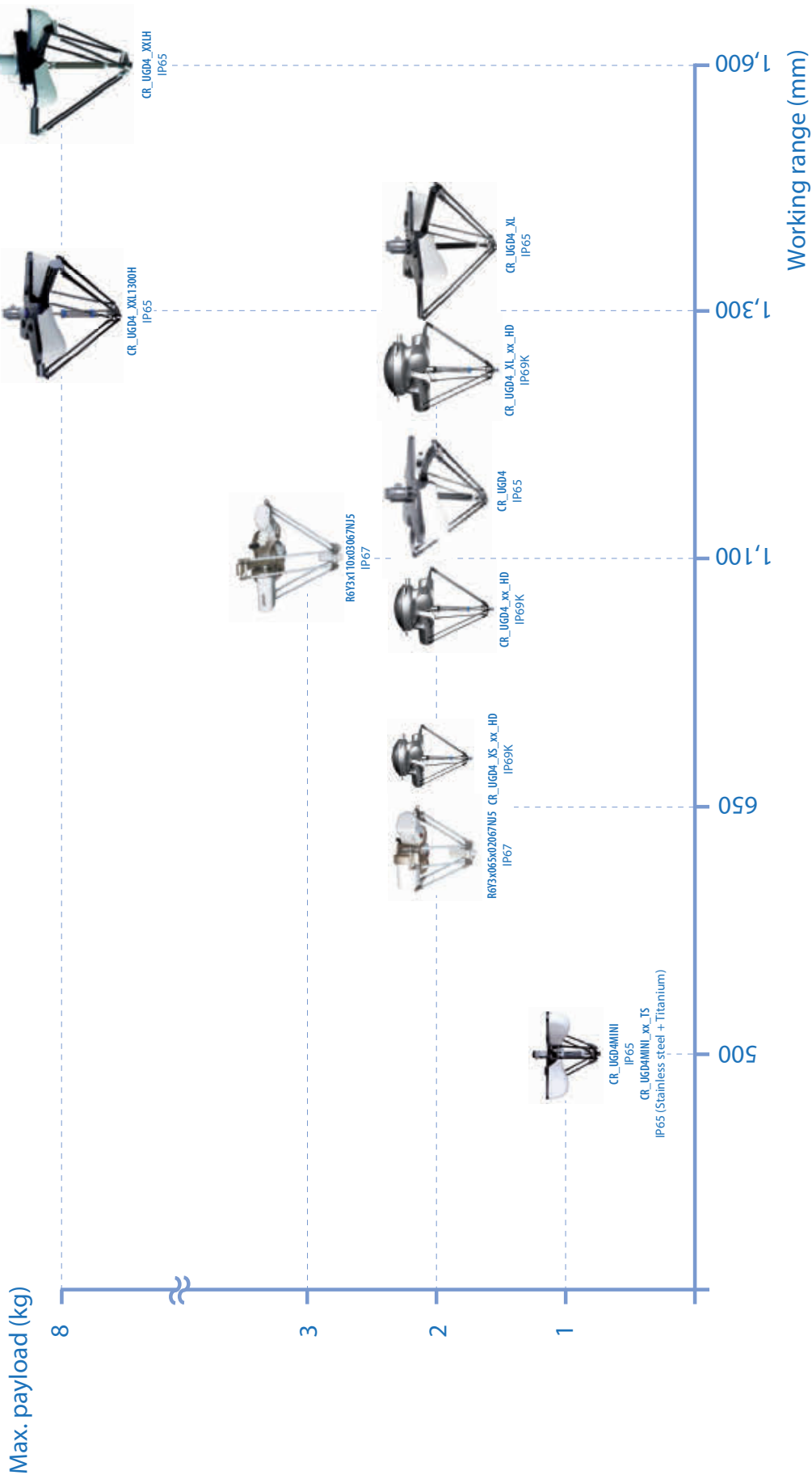




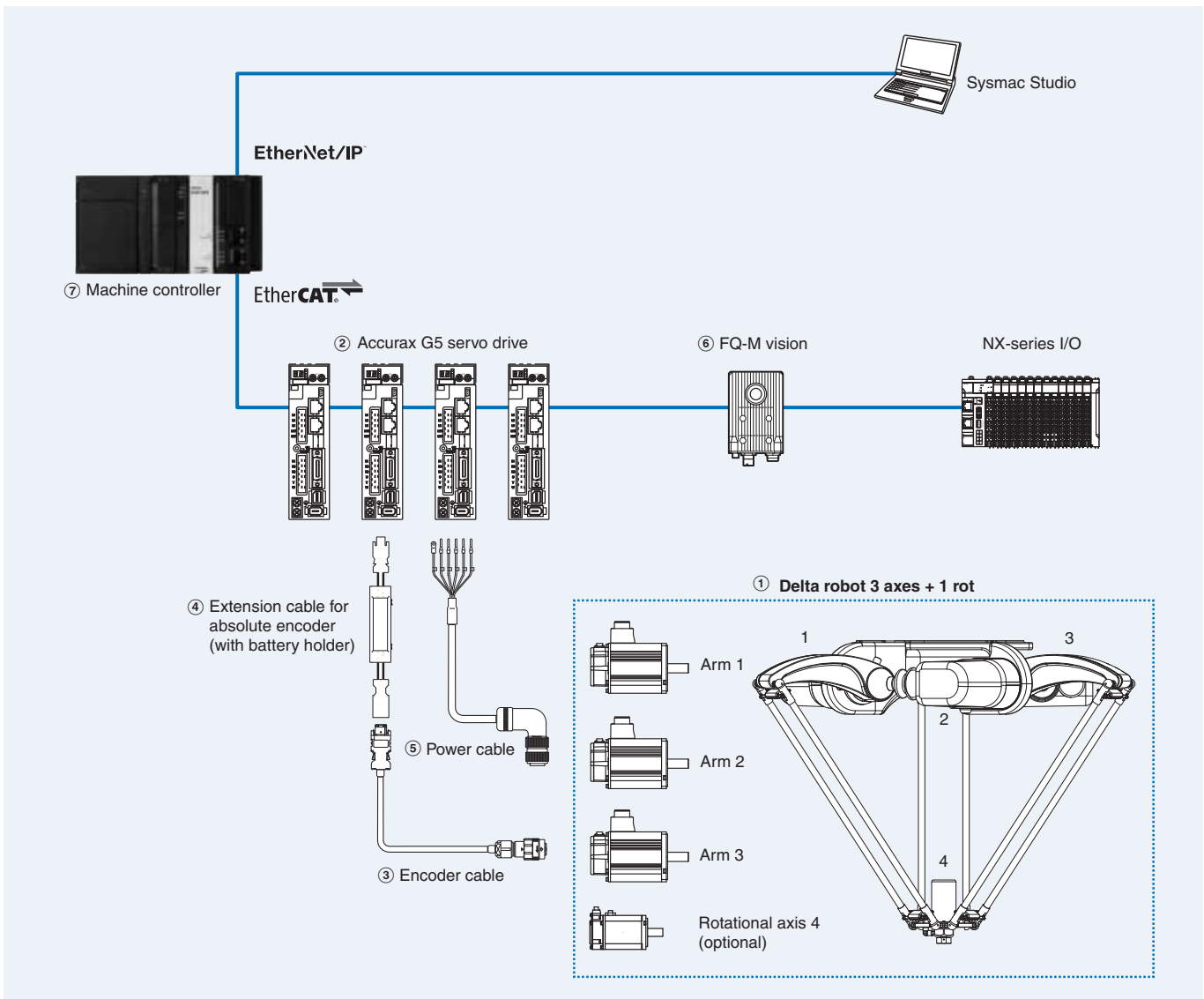
Gripper dimensions



Selection table



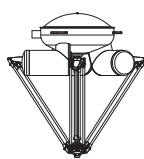
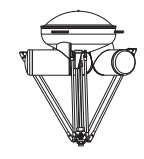
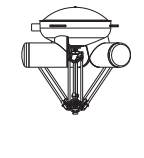
Ordering information



Note: Servo motors included in the Delta robot.

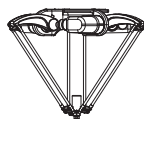
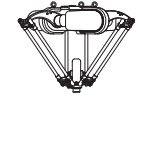
Delta robot 3 axes + 1 rot series

IP69K protection class models


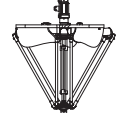



Symbol	Model	Cable length	Max. payload	Working range	Description ¹	Axis	②Applicable servo drive		
① 	CR_UGD4_XL_R_HD3	3 m	2 kg	Ø 1,300 x 250 mm (Max. 400)	3 + 1 axes Hygienic Design	Arm 1	R88D-KN15H-ECT		
	CR_UGD4_XL_R_HD5	5 m				Arm 2	R88D-KN15H-ECT		
	CR_UGD4_XL_R_HD10	10 m				Arm 3	R88D-KN15H-ECT		
	CR_UGD4_XL_R_HD15	15 m				Rotational 4	R88D-KN08H-ECT		
	CR_UGD4_XL_R_HD20	20 m							
	CR_UGD4_XL_NR_HD3	3 m			3 axes Hygienic Design	Arm 1	R88D-KN15H-ECT		
	CR_UGD4_XL_NR_HD5	5 m				Arm 2	R88D-KN15H-ECT		
	CR_UGD4_XL_NR_HD10	10 m				Arm 3	R88D-KN15H-ECT		
	CR_UGD4_XL_NR_HD15	15 m							
	CR_UGD4_XL_NR_HD20	20 m							
	CR_UGD4_XL_NR_HD20	20 m							
	① 	CR_UGD4_R_HD3			3 m	2 kg	Ø 1,100 x 250 mm (Max. 400)	3 + 1 axes Hygienic Design	Arm 1
CR_UGD4_R_HD5		5 m	Arm 2	R88D-KN15H-ECT					
CR_UGD4_R_HD10		10 m	Arm 3	R88D-KN15H-ECT					
CR_UGD4_R_HD15		15 m	Rotational 4	R88D-KN08H-ECT					
CR_UGD4_R_HD20		20 m							
CR_UGD4_NR_HD3		3 m	3 axes Hygienic Design	Arm 1	R88D-KN15H-ECT				
CR_UGD4_NR_HD5		5 m		Arm 2	R88D-KN15H-ECT				
CR_UGD4_NR_HD10		10 m		Arm 3	R88D-KN15H-ECT				
CR_UGD4_NR_HD15		15 m							
CR_UGD4_NR_HD20		20 m							
CR_UGD4_NR_HD20		20 m							
① 		CR_UGD4_XS_R_HD3	3 m	2 kg	Ø 650 x 200 mm (Max. 270)			3 + 1 axes Hygienic Design	Arm 1
	CR_UGD4_XS_R_HD5	5 m	Arm 2			R88D-KN15H-ECT			
	CR_UGD4_XS_R_HD10	10 m	Arm 3			R88D-KN15H-ECT			
	CR_UGD4_XS_R_HD15	15 m	Rotational 4			R88D-KN08H-ECT			
	CR_UGD4_XS_R_HD20	20 m							
	CR_UGD4_XS_NR_HD3	3 m	3 axes Hygienic Design			Arm 1	R88D-KN15H-ECT		
	CR_UGD4_XS_NR_HD5	5 m				Arm 2	R88D-KN15H-ECT		
	CR_UGD4_XS_NR_HD10	10 m				Arm 3	R88D-KN15H-ECT		
	CR_UGD4_XS_NR_HD15	15 m							
	CR_UGD4_XS_NR_HD20	20 m							
	CR_UGD4_XS_NR_HD20	20 m							

¹The models with IP69K protection class include the encoder, power and brake cables.

IP67 protection class models



Symbol	Model	Max. payload	Working range	Description	Axis	②Applicable servo drive
① 	R6Y31110H03067NJ5	3 kg	Ø 1,100 x 300 mm (Max. 450)	3 + 1 axes (high inertia rotational axis)	Arm 1	R88D-KN15H-ECT
	R6Y31110L03067NJ5				Arm 2	R88D-KN15H-ECT
					Arm 3	R88D-KN15H-ECT
					Rotational 4	R88D-KN01H-ECT
	R6Y30110S03067NJ5			3 + 1 axes (low inertia rotational axis)	Arm 1	R88D-KN15H-ECT
				Arm 2	R88D-KN15H-ECT	
				Arm 3	R88D-KN15H-ECT	
				Rotational 4	R88D-KN01H-ECT	
				3 axes	Arm 1	R88D-KN15H-ECT
Arm 2	R88D-KN15H-ECT					
Arm 3	R88D-KN15H-ECT					
① 	R6Y31065H02067NJ5	2 kg	Ø 650 x 150 mm (Max. 250)	3 + 1 axes (high inertia rotational axis)	Arm 1	R88D-KN04H-ECT
	R6Y31065L02067NJ5				Arm 2	R88D-KN04H-ECT
					Arm 3	R88D-KN04H-ECT
					Rotational 4	R88D-KN01H-ECT
	R6Y31065L02067NJ5			3 + 1 axes (low inertia rotational axis)	Arm 1	R88D-KN04H-ECT
				Arm 2	R88D-KN04H-ECT	
				Arm 3	R88D-KN04H-ECT	
				Rotational 4	R88D-KN01H-ECT	
				3 axes	Arm 1	R88D-KN04H-ECT
	Arm 2			R88D-KN04H-ECT		
	Arm 3			R88D-KN04H-ECT		
	R6Y30065S02067NJ5			3 axes	Arm 1	R88D-KN04H-ECT
Arm 2		R88D-KN04H-ECT				
Arm 3		R88D-KN04H-ECT				

IP65 protection class models

Symbol	Model	Max. payload	Working range	Description	Axis	②Applicable servo drive
① 	CR_UGD4_XXLH_R	8 kg	Ø 1,600 x 350 mm (Max. 550)	3 + 1 axes	Arm 1	R88D-KN30F-ECT
	CR_UGD4_XXLH_NR				Arm 2	R88D-KN30F-ECT
① 	CR_UGD4_XXL1300H_R		Ø 1,300 x 300 mm (Max. 450)	3 + 1 axes	Arm 3	R88D-KN30F-ECT
	CR_UGD4_XXL1300H_NR				Rotational 4	R88D-KN15F-ECT
① 	CR_UGD4_XL_R	2 kg	Ø 1,300 x 250 mm (Max. 400)	3 + 1 axes	Arm 1	R88D-KN15H-ECT
	CR_UGD4_XL_NR				Arm 2	R88D-KN15H-ECT
① 	CR_UGD4_R	2 kg	Ø 1,100 x 250 mm (Max. 400)	3 + 1 axes	Arm 3	R88D-KN15H-ECT
	CR_UGD4_NR				Rotational 4	R88D-KN15H-ECT
① 	CR_UGD4MINI_R	1 kg	Ø 500 x 130 mm (Max. 175)	3 + 1 axes	Arm 1	R88D-KN04H-ECT
	CR_UGD4MINI_R_TS ^{*1}				Arm 2	R88D-KN04H-ECT
	CR_UGD4MINI_NR		Ø 500 x 155 mm (Max. 200)	3 axes	Arm 3	R88D-KN04H-ECT
	CR_UGD4MINI_NR_TS ^{*1}				Rotational 4	R88D-KN04H-ECT


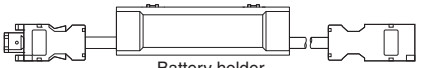

*1: The CR_UGD4MINI_□_TS models are delivered standard with stainless steel + titanium secondary arms.

Encoder cables

Symbol	Applicable Delta robots	Model	Appearance
③ 	CR_UGD4_XL_□_HD□ (Arm 1, 2, 3) ^{*1}	1.5 m R88A-CRKC001-5NR-E	
	CR_UGD4_□_HD□ (Arm 1, 2, 3) ^{*1}	3 m R88A-CRKC003NR-E	
	CR_UGD4_XS_□_HD□ (Arm 1, 2, 3) ^{*1}	5 m R88A-CRKC005NR-E	
	R6Y3□110□03067NJ5	10 m R88A-CRKC010NR-E	
	CR_UGD4_XXLH	15 m R88A-CRKC015NR-E	
	CR_UGD4_XXL1300H	20 m R88A-CRKC020NR-E	
	CR_UGD4_XL		
	CR_UGD4		
	R6Y3□065□02067NJ5 (Rotational axis 4)		
	CR_UGD4_XL_□_HD□ (Rotational axis 4) ^{*1}	1.5 m R88A-CRKA001-5CR-E	
CR_UGD4_□_HD□ (Rotational axis 4) ^{*1}	3 m R88A-CRKA003CR-E		
CR_UGD4_XS_□_HD□ (Rotational axis 4) ^{*1}	5 m R88A-CRKA005CR-E		
R6Y3□065□02067NJ5 (Arm 1, 2, 3)	10 m R88A-CRKA010CR-E		
CR_UGD4MINI_□_TS	15 m R88A-CRKA015CR-E		
CR_UGD4MINI	20 m R88A-CRKA020CR-E		

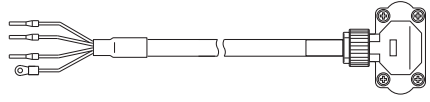

*1: The models with IP69K protection class include the encoder cables.

Absolute encoder battery cable (encoder extension cable only)

Symbol	Specifications	Model	Appearance
④ 	Absolute encoder battery cable	Battery not included 0.3 m R88A-CRGD0R3C-E	 Battery holder
		Battery included 0.3 m R88A-CRGD0R3C-BS-E	
	Absolute encoder backup battery	2,000 mA, 3.6 V - R88A-BAT01G	

Power and brake cables

Symbol	Applicable Delta robots			Model	Appearance	
⑤	CR_UGD4_XL□_HD□ ¹ CR_UGD4□_HD□ CR_UGD4_XS□_HD□	Arm 1, 2, 3	Power cable with brake	1.5 m	R88A-CAGB001-5BR-E	
				3 m	R88A-CAGB003BR-E	
				5 m	R88A-CAGB005BR-E	
				10 m	R88A-CAGB010BR-E	
				15 m	R88A-CAGB015BR-E	
				20 m	R88A-CAGB020BR-E	
		Rotational axis 4	Power cable without brake	1.5 m	R88A-CAKA001-5SR-E	
				3 m	R88A-CAKA003SR-E	
				5 m	R88A-CAKA005SR-E	
				10 m	R88A-CAKA010SR-E	
				15 m	R88A-CAKA015SR-E	
				20 m	R88A-CAKA020SR-E	
	Rotational axis 4	Brake cable	1.5 m	R88A-CAKA001-5BR-E		
			3 m	R88A-CAKA003BR-E		
			5 m	R88A-CAKA005BR-E		
			10 m	R88A-CAKA010BR-E		
			15 m	R88A-CAKA015BR-E		
			20 m	R88A-CAKA020BR-E		
	R6Y3□110□03067NJ5	Arm 1, 2, 3	Power cable with brake	1.5 m	R88A-CAGB001-5BR-E	
				3 m	R88A-CAGB003BR-E	
				5 m	R88A-CAGB005BR-E	
				10 m	R88A-CAGB010BR-E	
				15 m	R88A-CAGB015BR-E	
				20 m	R88A-CAGB020BR-E	
Rotational axis 4		Power cable without brake	1.5 m	R88A-CAGB001-5SR-E		
			3 m	R88A-CAGB003SR-E		
			5 m	R88A-CAGB005SR-E		
			10 m	R88A-CAGB010SR-E		
			15 m	R88A-CAGB015SR-E		
			20 m	R88A-CAGB020SR-E		
CR_UGD4_XXLH CR_UGD4_XXL1300H	Arm 1, 2, 3	Power cable with brake	1.5 m	R88A-CAGD001-5BR-E		
			3 m	R88A-CAGD003BR-E		
			5 m	R88A-CAGD005BR-E		
			10 m	R88A-CAGD010BR-E		
			15 m	R88A-CAGD015BR-E		
			20 m	R88A-CAGD020BR-E		
	Rotational axis 4	Power cable with brake	1.5 m	R88A-CAKF001-5BR-E		
			3 m	R88A-CAKF003BR-E		
			5 m	R88A-CAKF005BR-E		
			10 m	R88A-CAKF010BR-E		
			15 m	R88A-CAKF015BR-E		
			20 m	R88A-CAKF020BR-E		
CR_UGD4_XL CR_UGD4	Arm 1, 2, 3 and rotational axis 4	Power cable with brake	1.5 m	R88A-CAGB001-5BR-E		
			3 m	R88A-CAGB003BR-E		
			5 m	R88A-CAGB005BR-E		
			10 m	R88A-CAGB010BR-E		
			15 m	R88A-CAGB015BR-E		
			20 m	R88A-CAGB020BR-E		
	R6Y3□065□02067NJ5	Arm 1, 2, 3	Power cable without brake	1.5 m	R88A-CAKA001-5SR-E	
				3 m	R88A-CAKA003SR-E	
				5 m	R88A-CAKA005SR-E	
				10 m	R88A-CAKA010SR-E	
				15 m	R88A-CAKA015SR-E	
				20 m	R88A-CAKA020SR-E	
Rotational axis 4		Brake cable	1.5 m	R88A-CAKA001-5BR-E		
			3 m	R88A-CAKA003BR-E		
			5 m	R88A-CAKA005BR-E		
			10 m	R88A-CAKA010BR-E		
			15 m	R88A-CAKA015BR-E		
			20 m	R88A-CAKA020BR-E		
Rotational axis 4	Power cable without brake	1.5 m	R88A-CAGB001-5SR-E			
		3 m	R88A-CAGB003SR-E			
		5 m	R88A-CAGB005SR-E			
		10 m	R88A-CAGB010SR-E			
		15 m	R88A-CAGB015SR-E			
		20 m	R88A-CAGB020SR-E			

Symbol	Applicable Delta robots				Model	Appearance	
⑤	CR_UGD4MINI□_TS CR_UGD4MINI	Arm 1, 2, 3 and rotational axis 4	Power cable without brake	1.5 m	R88A-CAKA001-5SR-E		
				3 m	R88A-CAKA003SR-E		
				5 m	R88A-CAKA005SR-E		
				10 m	R88A-CAKA010SR-E		
				15 m	R88A-CAKA015SR-E		
			Brake cable	1.5 m	R88A-CAKA001-5BR-E		
				3 m	R88A-CAKA003BR-E		
				5 m	R88A-CAKA005BR-E		
				10 m	R88A-CAKA010BR-E		
				15 m	R88A-CAKA015BR-E		
20 m	R88A-CAKA020BR-E						

*1: The models with IP69K protection class include the power and brake cables.

Vision

Name	Type		Model
⑥ FQ-M series	Color	NPN	FQ-MS120-ECT
		PNP	FQ-MS125-ECT
	Monochrome	NPN	FQ-MS120-M-ECT
		PNP	FQ-MS125-M-ECT

Machine controller

Name		Functions	Delta robot control	Axes	Model
⑦ NJ Robotics	CPU unit	Logic sequence, motion, robotics and database connection	Control of up to 8 Delta robot depending on the number of axes supported by the CPU	16	NJ501-4320
				64	NJ501-4500
				32	NJ501-4400
				16	NJ501-4300
				16	NJ501-4310
	Power supply unit				

Accessories

Name	Applicable Delta robots	Specifications	Model
Anti-collision detection option	R6Y3□110□03067NJ5 R6Y3□065□02067NJ5	Connectors mounted between the TCP flange and the arms	R6YACAD01

Computer software

Specifications	Model
Sysmac Studio version 1.03 or higher	SYSMAC-SE2□□□

ALL DIMENSIONS SHOWN ARE IN MILLIMETERS.
To convert millimeters into inches, multiply by 0.03937. To convert grams into ounces, multiply by 0.03527.

X-ON Electronics

Largest Supplier of Electrical and Electronic Components

Click to view similar products for [Specialised Cables](#) category:

Click to view products by [Omron](#) manufacturer:

Other Similar products are found below :

[603PT6](#) [603SS6L](#) [604PT6](#) [604SS6](#) [706000D02F200](#) [910640](#) [1200740077](#) [1200740114](#) [AC172](#) [ACL-SSI-4](#) [R88ACAKA0015SRE](#)
[R88ACAWL005SDE](#) [R88ACRGD0R3C](#) [1300150047](#) [1300660036](#) [1302262116](#) [1300150149](#) [1300220020](#) [1300220104](#) [1300220119](#)
[1301240492](#) [1301810221](#) [1365323-1](#) [1613055](#) [176P12](#) [1971465-2](#) [20240400003](#) [20240400013](#) [2085828-1](#) [20886510030](#) [2-22733-8](#) [22733-](#)
[8](#) [CB-5PSBC-RS](#) [CB-704EC-RS](#) [CB-BATACC-RS](#) [CB-JST3PSW-RS](#) [CB-M12COM-R10](#) [25AC84](#) [25AK84X](#) [25AU25](#) [25FN82](#) [3011-03](#)
[AC118](#) [ACL-HHS-1M\(CAT5E\)](#) [SSL009PC2DC012N](#) [FC2A-KC6C](#) [2085828-2](#) [20886510150](#) [CCS-FCB-5](#) [CCSFCBF2](#)