

Easy on-site input on-the-move



- Incorporation of plastic rod actuator makes the Switch easy on hands.
- One-way operation:
Equipped with stopper so that operation is only possible from one direction.
- Distinctive yellow used for the body.
- Three different types of mounting are available.
- Models with emergency-stop switch are available to suit the application.



 Be sure to read *Safety Precautions* on page 5

Model Number Structure

Model Number Legend

TP70 -
(1) (2) (3)

(1) Built-in Switch Model

1 : D4N-2187

(2) Function

A : Integrated switch only
S : With separable emergency-stop switch

(3) Mounting Method

1 : Front mounting
2 : Base mounting (with height adjustment)
3 : C-clamp mounting (with height adjustment)

Ordering Information

Name	Mounting method	Model
On-site Flexible Rod Switch (integrated switch only)	Front mounting	TP70-1A1
	Base mounting	TP70-1A2
	C-clamp mounting	TP70-1A3
On-site Flexible Rod Switch (with separable emergency-stop switch)	Front mounting	TP70-1S1
	Base mounting	TP70-1S2
	C-clamp mounting	TP70-1S3

Specifications

Approved Standards

Agency	Standard	File No.
CCC (CQC)	GB14048.5	2013010305630198

Ratings

Rated voltage	Carry current	Current (A)		Volt-amperes (V)	
		Make	Break	Make	Break
120 VAC 240 VAC	10 A	60 30	6 3	7,200	720
125 VDC 250 VDC	2.5 A	0.55 0.27	0.55 0.27	69	69

Approved Standard Ratings

CCC (GB14048.5)

Applicable category and ratings
AC-15 3A/240V DC-13 0.27A/250V

Characteristics

Degree of protection *1		IP65	
Vibration resistance		Malfunction: 10 to 55 Hz, 0.65-mm single amplitude, 100 m/s ² max.	
Shock resistance	Destruction	1,000 m/s ² max.	
	Malfunction	20 m/s ² max.	
Operating environment	Ambient operating temperature	-10°C to +70°C	
	Ambient operating humidity	35% to 95%RH	
Built-in switch specifications	Switch model	D4N-2187	
	Allowable operating speed	1 mm/s to 0.5 m/s	
	Allowable operating frequency	Mechanical	60 operations/min
		Electrical	30 operations/min (with resistive load)
	Durability *2	Mechanical	1,000,000 operations min.
		Electrical	200,000 operations min. (for a resistive load of 10 A at 125 VAC)
	Contact type	SPST-NO+SPST-NC	
Terminal type	Screw terminals		
Emergency-stop switch specifications	Switch model	A165E-M-02	
	Operating method	Slow action, Direct-opening mechanism	
	Operating functions	Push to lock, turn to reset Contact is opened by pushing in switch and closed by returning switch to original position.	
	Contact type	DPST-NC	
	Operating part	Size: 40 dia. Color: red, non-illuminated	
Terminal type	Soldered terminals		

Note: 1. The values in the above table are the initial values.

2. For more details on specifications, refer to individual specification sheets for the relevant models.

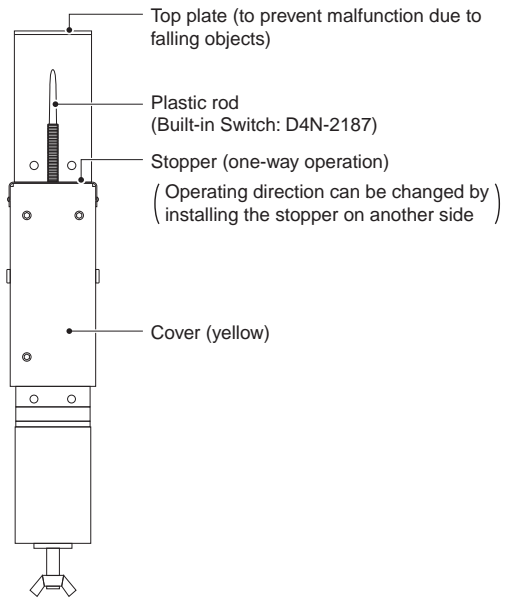
*1. The specification given for the degree of protection is for the built-in switch (D4N-2187) and does not apply to the casing for the whole product.

*2. The durability values shown above are for operation at an ambient temperature of 5°C to 35°C, an ambient humidity of 40% to 70%RH, with an operating stroke of 30 mm at a point 20 mm away from the end of the actuator.

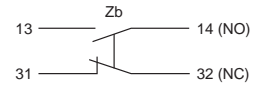
Contact your OMRON representative for details on other operating conditions.

Structure and Nomenclature

Nomenclature

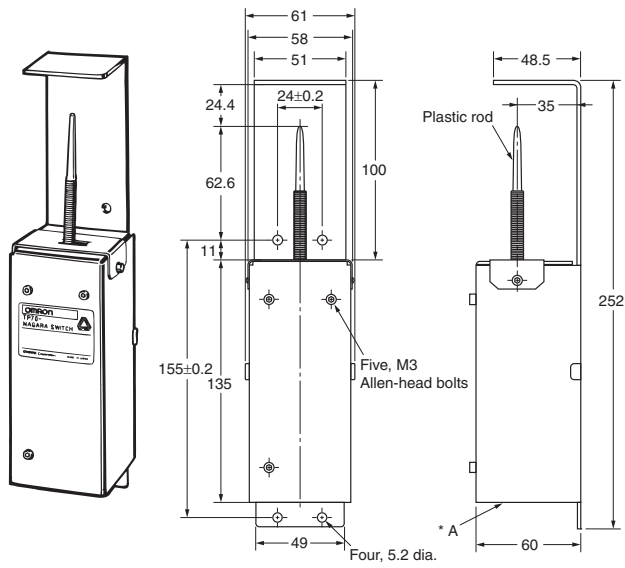


Contact Form

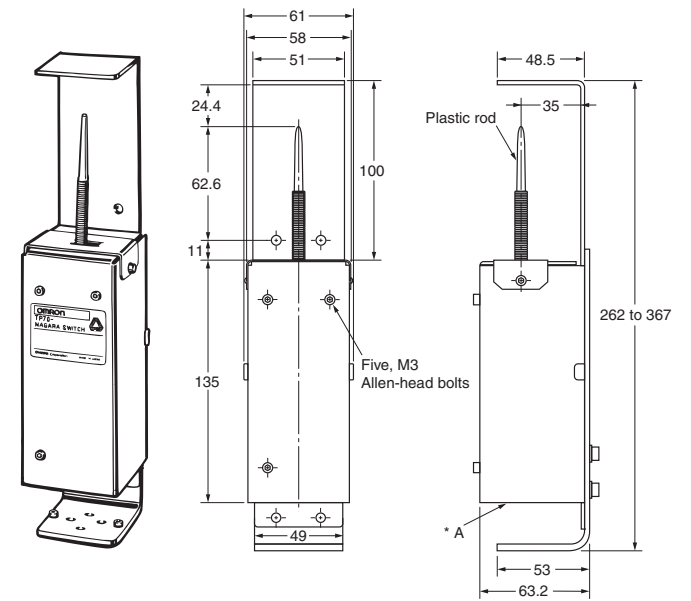


Dimensions

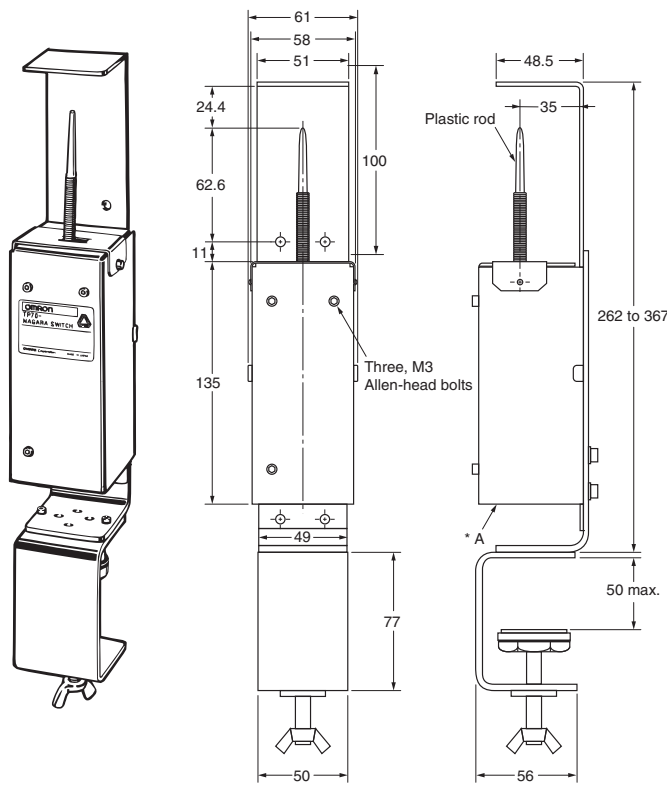
TP70-1A1



TP70-1A2



TP70-1A3



Note: Unless otherwise specified, a tolerance of ±4 mm applies to all dimensions.
 * There is no base plate at A.

Operating Characteristics

Item	Standard value
OF max.	1.5 N
PT max.	15°

Safety Precautions

Refer to *Safety Precautions for All Limit Switches*.

Precautions for Safe Use

- Do not use the product in installations that require safety countermeasures for operation, such as presses, shears, mills, spinning machinery, or cotton-making machinery.
- To prevent damage to the switch due to short-circuiting, connect a fuse that has a breaking current value of 1.5 to 2 times the rated current in series with the switch.
- Do not use the product in locations subject to explosive or flammable gases.
- Be sure to use the product only at load currents less than the rated values.
- The casing has no sealing properties. The bottom of the casing is open. Do not use the product in locations subject to splashes of oil or chemicals.

- Do not handle the product with oily or wet hands. Bringing the product into contact with certain types of oil or chemical may result in faulty contact, insulation problems, current leakage, or fire.
- For details and other handling procedures for the TP70 Switches, refer to the datasheet for the D4N Safety Limit Switch or the A165E Emergency Stop Pushbutton Switch.

Precautions for Correct Use

Operating Environment

(1) Do not use the product in the following environments:

- Locations subject to severe changes in temperature.
- Locations subject to condensation as a result of high humidity.
- Locations subject to severe vibration.

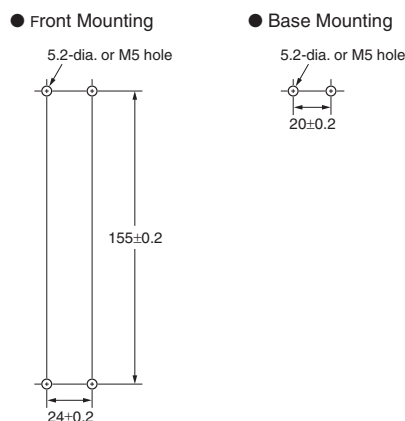
(2) The product is intended for indoor use only. Using the product outdoors may result in malfunction.

Mounting the Main Body

<Front Mounting and Base Mounting>

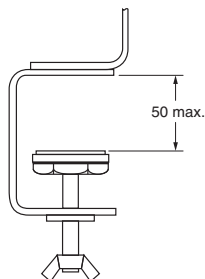
Mount the product using M5 screws and washers. Be sure to tighten the screws to the correct torque.

Mounting Hole Dimensions



<C-clamp Mounting>

Mount the product using a wing nut. Ensure that there is no looseness or rattling. The maximum mountable panel thickness is 50 mm.



Tightening Torque

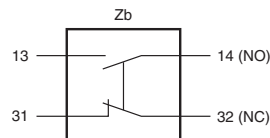
Type	Appropriate tightening torque
Main body mounting screws (M5 screws)	2.4 to 2.7 N·m
Terminal screws (M3.5 screws)	0.6 to 0.8 N·m
Mounting screws for built-in switch cover	0.5 to 0.7 N·m
Connectors	1.8 to 2.2 N·m
Stopper mounting bolts (M3 Allen-head bolts)	1.3 to 1.9 N·m
Cover mounting bolts (M3 Allen-head bolts)	1.3 to 1.9 N·m

Removing the Cover

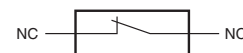
Remove the cover by loosening the Allen-head bolts that are located in 3 places on the front of the cover, and perform wiring for the built-in switch and indicator. After wiring is completed, remount the cover by tightening the bolts to the correct torque.

Contact Form

Built-in Switch



Emergency-stop Switch



Wiring

- Do not connect the lead wires for the built-in switch or counter directly to terminals. Wire via insulating tubes and crimp terminals and tighten securely.
- Connect lead wires to the indicator or emergency-stop switch by soldering. Perform soldering at 30 W within 5 seconds. Do not apply any external force to the soldered parts for 1 minute after soldering.

Processing the Conduit Opening

Tighten the connector to a torque of 1.8 to 2.2 N·m. Excessive tightening torque may damage the casing.

Recommended Connector

Use a connector with a threaded length of 9 mm max. to prevent interfering with the built-in switch.

Recommended Connector

Size	Manufacturer	Model	Applicable cable diameter
G1/2	LAPP	ST-PF1/2 5380-1002	6.0 to 12.0 mm

If a connector from LAPP is used, also use the separately sold Seal Packing (model number JPK-16) and tighten it with the appropriate tightening torque.

Operating direction

- Stopper is installing for one-way operation.
- Operating direction can be changed by installing the stopper on another side.

Terms and Conditions Agreement

Read and understand this catalog.

Please read and understand this catalog before purchasing the products. Please consult your OMRON representative if you have any questions or comments.

Warranties.

(a) Exclusive Warranty. Omron's exclusive warranty is that the Products will be free from defects in materials and workmanship for a period of twelve months from the date of sale by Omron (or such other period expressed in writing by Omron). Omron disclaims all other warranties, express or implied.

(b) Limitations. OMRON MAKES NO WARRANTY OR REPRESENTATION, EXPRESS OR IMPLIED, ABOUT NON-INFRINGEMENT, MERCHANTABILITY OR FITNESS FOR A PARTICULAR PURPOSE OF THE PRODUCTS. BUYER ACKNOWLEDGES THAT IT ALONE HAS DETERMINED THAT THE PRODUCTS WILL SUITABLY MEET THE REQUIREMENTS OF THEIR INTENDED USE.

Omron further disclaims all warranties and responsibility of any type for claims or expenses based on infringement by the Products or otherwise of any intellectual property right. (c) Buyer Remedy. Omron's sole obligation hereunder shall be, at Omron's election, to (i) replace (in the form originally shipped with Buyer responsible for labor charges for removal or replacement thereof) the non-complying Product, (ii) repair the non-complying Product, or (iii) repay or credit Buyer an amount equal to the purchase price of the non-complying Product; provided that in no event shall Omron be responsible for warranty, repair, indemnity or any other claims or expenses regarding the Products unless Omron's analysis confirms that the Products were properly handled, stored, installed and maintained and not subject to contamination, abuse, misuse or inappropriate modification. Return of any Products by Buyer must be approved in writing by Omron before shipment. Omron Companies shall not be liable for the suitability or unsuitability or the results from the use of Products in combination with any electrical or electronic components, circuits, system assemblies or any other materials or substances or environments. Any advice, recommendations or information given orally or in writing, are not to be construed as an amendment or addition to the above warranty.

See <http://www.omron.com/global/> or contact your Omron representative for published information.

Limitation on Liability; Etc.

OMRON COMPANIES SHALL NOT BE LIABLE FOR SPECIAL, INDIRECT, INCIDENTAL, OR CONSEQUENTIAL DAMAGES, LOSS OF PROFITS OR PRODUCTION OR COMMERCIAL LOSS IN ANY WAY CONNECTED WITH THE PRODUCTS, WHETHER SUCH CLAIM IS BASED IN CONTRACT, WARRANTY, NEGLIGENCE OR STRICT LIABILITY.

Further, in no event shall liability of Omron Companies exceed the individual price of the Product on which liability is asserted.

Suitability of Use.

Omron Companies shall not be responsible for conformity with any standards, codes or regulations which apply to the combination of the Product in the Buyer's application or use of the Product. At Buyer's request, Omron will provide applicable third party certification documents identifying ratings and limitations of use which apply to the Product. This information by itself is not sufficient for a complete determination of the suitability of the Product in combination with the end product, machine, system, or other application or use. Buyer shall be solely responsible for determining appropriateness of the particular Product with respect to Buyer's application, product or system. Buyer shall take application responsibility in all cases.

NEVER USE THE PRODUCT FOR AN APPLICATION INVOLVING SERIOUS RISK TO LIFE OR PROPERTY OR IN LARGE QUANTITIES WITHOUT ENSURING THAT THE SYSTEM AS A WHOLE HAS BEEN DESIGNED TO ADDRESS THE RISKS, AND THAT THE OMRON PRODUCT(S) IS PROPERLY RATED AND INSTALLED FOR THE INTENDED USE WITHIN THE OVERALL EQUIPMENT OR SYSTEM.

Programmable Products.

Omron Companies shall not be responsible for the user's programming of a programmable Product, or any consequence thereof.

Performance Data.

Data presented in Omron Company websites, catalogs and other materials is provided as a guide for the user in determining suitability and does not constitute a warranty. It may represent the result of Omron's test conditions, and the user must correlate it to actual application requirements. Actual performance is subject to the Omron's Warranty and Limitations of Liability.

Change in Specifications.

Product specifications and accessories may be changed at any time based on improvements and other reasons. It is our practice to change part numbers when published ratings or features are changed, or when significant construction changes are made. However, some specifications of the Product may be changed without any notice. When in doubt, special part numbers may be assigned to fix or establish key specifications for your application. Please consult with your Omron's representative at any time to confirm actual specifications of purchased Product.

Errors and Omissions.

Information presented by Omron Companies has been checked and is believed to be accurate; however, no responsibility is assumed for clerical, typographical or proofreading errors or omissions.

X-ON Electronics

Largest Supplier of Electrical and Electronic Components

Click to view similar products for [Limit Switches](#) category:

Click to view products by [Omron](#) manufacturer:

Other Similar products are found below :

[5ML1-E1](#) [5ML31](#) [LZG1](#) [LZL1-6C](#) [622EN114-R](#) [622EN18-6](#) [622EN224-6B](#) [622EN230](#) [622EN237-R](#) [622EN69-3](#) [622EN85-RB](#) [MA-10019](#)
[6PA109](#) [7LS51](#) [83547001](#) [83725002](#) [83830001](#) [83840701](#) [83841001](#) [83881140](#) [8AS42](#) [8LS10](#) [8LS125-4PG](#) [8LS152-4PGN20](#) [914CE16-](#)
[3A](#) [914CE3-3L1](#) [915PA10](#) [91MCE16-P2O](#) [924CE16-Y3](#) [924CE1-S6](#) [924CE1-T25A](#) [924CE1-T3](#) [924CE1-T9A](#) [924CE2-T9](#) [924CE31-Y20-](#)
[X5](#) [924CE31-Y3L1](#) [GL-10054](#) [GLAB26J2B](#) [GLDB03C-6](#) [GLDC05C](#) [GLZ324](#) [H3141CAKAA](#) [RDI-G-L5B](#) [DD-10000](#) [DT-2R3-A7](#)
[14CE16-3N28](#) [14CE18-N15](#) [151ML3-E1](#) [E3102BAAAA](#) [BFL1-AW1-S](#)