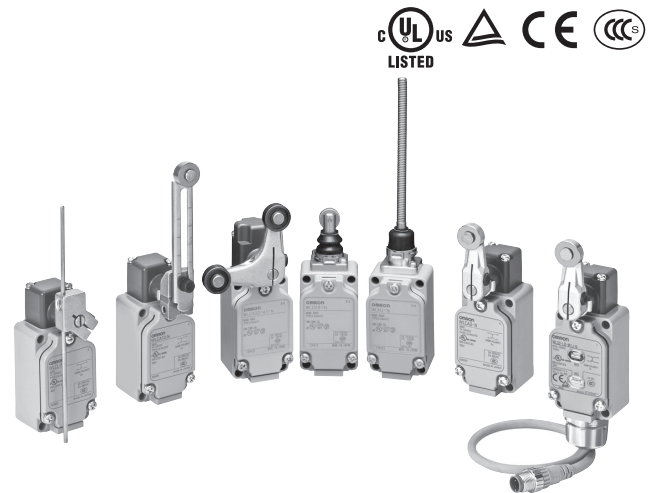


## Two-circuit Limit Switch WL-N/NWL

### Two-circuit limit switches that can be selected to match the operating environment and application

- Wide variety of head shapes, including Roller Lever, Plunger, Flexible Rod, and Fork Lock Lever Switches.
- You can select the optimum actuator shape for the workpiece shape and movement from a variety of actuators.
- In addition to general detection, we also have environment resistant models for harsh environments, sputter resistant models for welding processes, and long-life models for high-frequency use.



For the most recent information on models that have been certified for safety standards, refer to your OMRON website.

**⚠ Be sure to read *Safety Precautions* on page 62 to 67 and *Safety Precautions for All Limit Switches*.**

## Features

### General-purpose Switches

#### A Wide Range of Models

You can select the optimum product for the workpiece shape and movement from a variety of actuators, including Roller Lever, Plunger, Flexible Rod, and Fork Lock Lever Switches.

### Environment-resistant Switches

#### Six environment resistant models are available

Airtight Switches, Hermetic Switches, Heat-resistant Switches, Low-temperature Switches, Corrosion-proof Switches, and Weather-proof Switches are available.

You can select the model based on the onsite environment.

### Spatter-prevention Switches

#### Ideal for Welding Sites

Uses stainless steel and plastic materials that prevent the adhesion of spatter.

They can be used to reduce problems caused by zinc power generated during welding.

### Long-life Switches

#### Long-life Models for High-frequency Applications

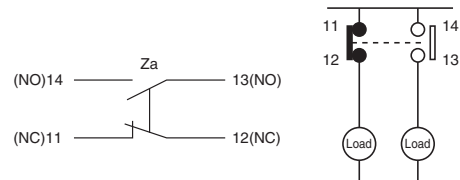
A mechanical durability of over 30 million cycles is achieved by improving slidability and the wear resistance of the head.

### Features Common

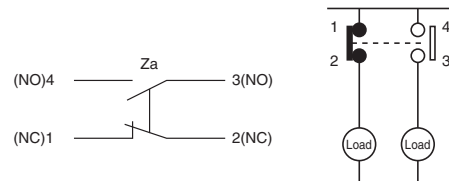
#### DPDB Operation

The two-circuit double-break structure ensures circuit braking.

- Basic/Retention type Switches (WL-N)



- High-sensitivity/High-precision Switches (WL)



#### Degree of Protection; IP67

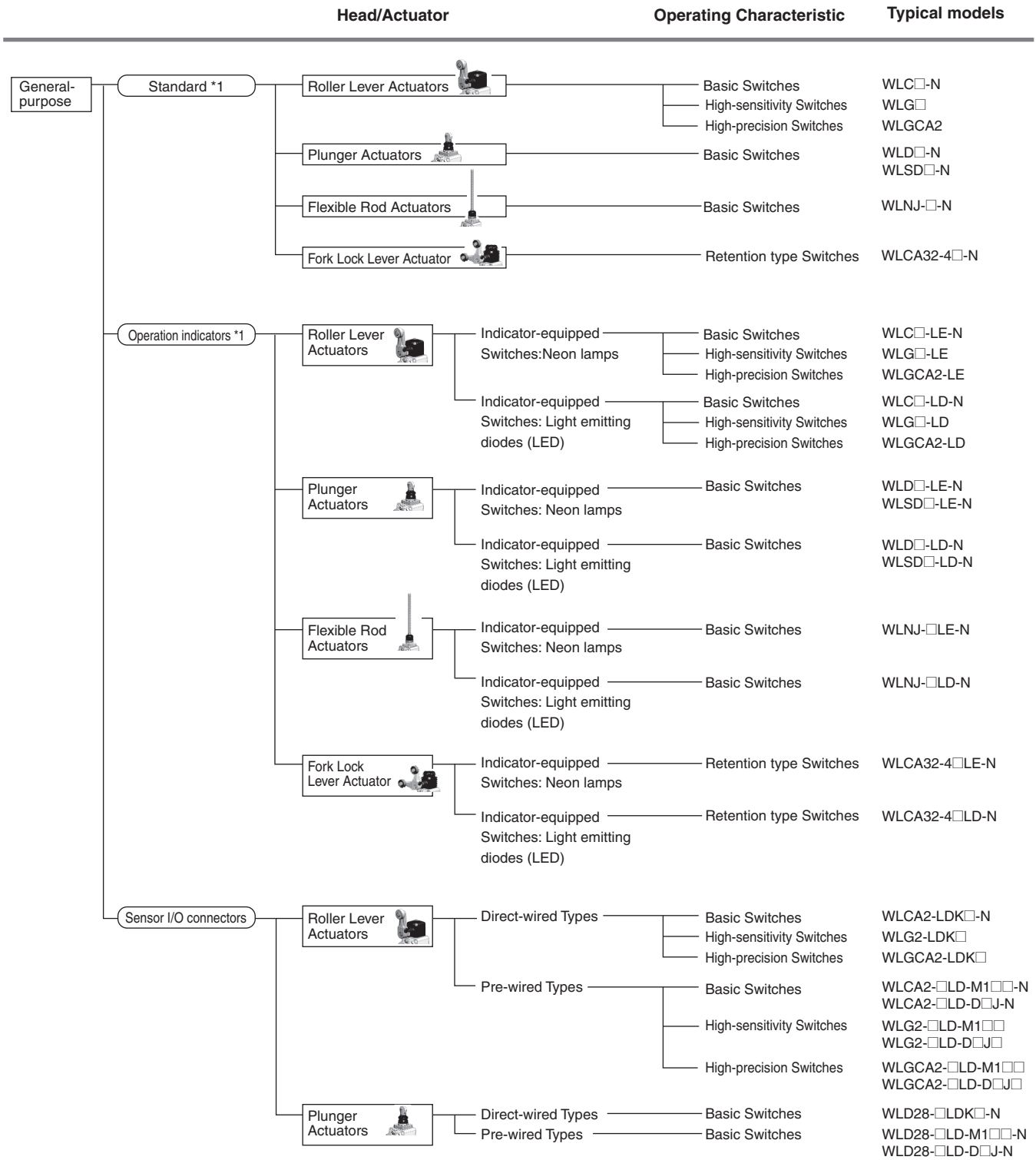
#### Models with Connectors to Reduce Wiring

A neon lamp or LED indicates the operating status. This makes startup checks and maintenance easy.

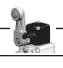


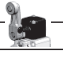


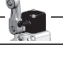









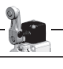

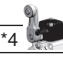
#### Sensor I/O Connector Models to Match Wiring Specifications

Direct-wire types and pre-wired types are available for easy replacement of limit switches.

Product Configuration



\*1. The standard wiring specification is the Screw terminal type.  
 \*2. Wiring specification: Smart-click type is also available.

	Head/Actuator	Operating Characteristic	Typical models	
Environment-resistant *1	Airtight seal *4	Roller Lever Actuators 	Basic Switches High-sensitivity Switches High-precision Switches	WLC□-55-N WLG□-55 WLGCA2-55
		Plunger Actuators 	Basic Switches	WLD□-55-N, WLS□-55-N
		Flexible Rod Actuators 	Basic Switches	WLNJ-□55-N
	Hermetic seal *4	Roller Lever Actuators 	Basic Switches High-sensitivity Switches High-precision Switches	WLC□-139-N WLG□-139 WLGCA2-139
		Plunger Actuators 	Basic Switches	WLD□-139-N, WLS□-139-N
		Flexible Rod Actuators 	Basic Switches	WLNJ-□139-N
	Heat-resistant	Roller Lever Actuators 	Basic Switches High-sensitivity Switches High-precision Switches	WLC□-TH-N WLG□-TH WLGCA2-TH
		Plunger Actuators 	Basic Switches	WLD□-TH-N, WLS□-TH-N
		Flexible Rod Actuators 	Basic Switches	WLNJ-□TH-N
	Low-temperature	Roller Lever Actuators 	Basic Switches High-sensitivity Switches High-precision Switches	WLC□-TC-N WLG□-TC WLGCA2-TC
		Plunger Actuators 	Basic Switches	WLD□-TC-N, WLS□-TC-N
		Flexible Rod Actuators 	Basic Switches	WLNJ-□TC-N
	Corrosion-proof	Roller Lever Actuators 	Basic Switches High-sensitivity Switches High-precision Switches	WLC□-RP-N WLG□-RP WLGCA2-RP
		Plunger Actuators 	Basic Switches	WLD□-RP-N, WLS□-RP-N
		Flexible Rod Actuators 	Basic Switches	WLNJ-□RP-N
	Weather-proof	Roller Lever Actuators 	Basic Switches High-sensitivity Switches	WLC□-P1-N WLG□-P1
	Spatter-prevention *1 *3	Roller Lever Actuators 	Basic Switches High-sensitivity Switches High-precision Switches	WLCA2-□S-N WLG2-□S WLGCA2-□S
		Plunger Actuators 	Basic Switches	WLD28-□S-N
Long-life *1 *2 *3	Roller Lever Actuators *4 	Basic Switches High-sensitivity Switches High-precision Switches	WLMCA2-□-N WLMG2-□ WLMGCA2-□	

\*1. The standard wiring specification is the Screw terminal type.















\*2. Wiring specification: Direct-wire Connector type is also available. Contact your OMRON sales representative for further information.

\*3. Wiring specification: Pre-wired Connector type is also available. Contact your OMRON sales representative for further information.

\*4. A type with an operation indicator light is also available. For details, see Ordering Information.

## Selection

### WL-N/WL Actuator Types and Selection




Head	Appearance	Classification	Operating force (OF)	Repeat accuracy *1	Shock and vibration resistance *1	Description
Roller Lever Models 		Roller Lever	Medium	★★★ ★★ *2	★★★	<ul style="list-style-type: none"> <li>Can be used over a wide range, from positioning to workpiece detection.</li> <li>Easy to use because the stroke in the direction of revolution can be set to an angle from 45° to 90° (varies by model), and the lever can be set to any angle over 360°.</li> <li>High-sensitivity Switches with minimal movement before activation (example: WLG2) and High-precision Switches with high repeatability (example: WLGCA2) are available.</li> </ul>
		Adjustable Roller Lever	Medium	★★	★★	<ul style="list-style-type: none"> <li>Adjustable length between dog and lever. (Consideration must be given to telegraphing.)</li> <li>Can be used over a wide range, from positioning to workpiece detection.</li> <li>High-sensitivity Switches with minimal movement before activation (example: WLG12) are also available.</li> </ul>
		Adjustable Rod Lever	Medium	★★	★★	<ul style="list-style-type: none"> <li>Suitable for detection of a dog or workpiece with a large amount of play. (Consideration must be given to telegraphing.)</li> <li>Also good for detection of irregularly shaped workpieces.</li> <li>Lightest activation (WLCL-N) among rotating-type limit switches.</li> <li>Rod length is adjustable.</li> <li>High-sensitivity Switches with minimal movement before activation (example: WLG2) are also available.</li> </ul>
Plunger Models 		Plunger	Large	★★★	★★★	<ul style="list-style-type: none"> <li>High repeatability, good for positioning detection.</li> <li>The workpiece movement direction and plunger movement direction must be matched so that an unbalanced load is not applied to the plunger.</li> </ul>
		Roller plunger	Large	★★★	★★★	<ul style="list-style-type: none"> <li>A wide range of operation is possible by attaching an auxiliary actuator to a cam, dog, cylinder, or other part.</li> <li>High repeatability, good for positioning detection.</li> </ul>
		Ball plunger	Large	★★	★★★	<ul style="list-style-type: none"> <li>The tip of the plunger is made of a steel ball, which can be operated in any direction with no limitations.</li> <li>The ball plunger is convenient when the mounting side is not aligned with the movement direction of the dog or the Limit Switch is actuated by two dogs in X and Y directions.</li> </ul>
Flexible rod Models 		Coil spring	Small	★	★	<ul style="list-style-type: none"> <li>Operation from any direction over 360° is possible, excluding the axial direction.</li> <li>Lowest activation force of the limit switches. Effective for detection of non-uniform directions and shapes.</li> <li>Large tolerance for workpiece play because the actuator absorbs movement after activation.</li> </ul>
		Resin rod	Small	★	★	<ul style="list-style-type: none"> <li>The resin rod minimizes damage to the workpiece.</li> <li>Operation from any direction over 360° is possible, excluding the axial direction.</li> <li>Lowest activation force of the limit switches. Effective for detection of non-uniform directions and shapes.</li> <li>Large tolerance for workpiece play because the actuator absorbs movement after activation.</li> </ul>
		Steel wire	Small	★	★	<ul style="list-style-type: none"> <li>The steel wire enables easy workpiece length adjustment, and easy bending is possible.</li> <li>Operation from any direction over 360° is possible, excluding the axial direction.</li> <li>Lowest activation force of the limit switches. Effective for detection of non-uniform directions and shapes.</li> <li>Large tolerance for workpiece play because the actuator absorbs movement after activation.</li> </ul>
Fork Lock Lever Models 		Fork Lock Lever	Medium	★★	★★★	<ul style="list-style-type: none"> <li>Self-rotates when operated to a position of 55°, holds state at the 90° position.</li> <li>Reciprocating motion can be detected with a single dog.</li> <li>To allow greater deviation in the roller position, two dogs can be used.</li> </ul>

\*1. Indications for repeat accuracy and shock and vibration resistance are as follows: ★: OK, ★★: Good, ★★★: Excellent

\*2. The top line shows High-precision Switches. The bottom line shows Basic Switches.

OMRON will combine the switch, Actuator, and wiring method required to build the ideal switch for your application.

### According to Operating Environment

	Environment	Key specifications	Models		
Ambient operating temperature	Normal	<p style="text-align: center;">-10°C <span style="margin-left: 100px;">+80°C</span></p>  <p>Water-resistant to IP67.</p>	General-purpose Switches	Standard model High-sensitivity, High-precision model	WL□-N WLG□
	High-temperature	<p style="text-align: center;">+5°C <span style="margin-left: 100px;">+120°C</span></p>  <p>To increase heat resistance, the rubber material have been changed.</p>	Environment-resistant, Heat-resistant Switches	Standard model *1 High-sensitivity, High-precision model *1	WL□-TH-N WLG□-TH
	Low-temperature	<p style="text-align: center;">-40°C <span style="margin-left: 100px;">+40°C</span></p>  <p>To increase resistance to cold, epichlorhydrin rubber and other measures are used.</p>	Environment-resistant, Low-temperature Switches	Standard model *1 High-sensitivity, High-precision model *1	WL□-TC-N WLG□-TC
Operating environment	Outdoors	A rubber material resistant to temperature changes is used. Stainless steel is used for the screws. The roller is made of stainless steel with superior corrosion resistance.	Environment-resistant, Weather-proof Switches	Standard model *1 High-sensitivity, High-precision model *1	WL□-P1-N WLG□-P1
	Chemicals and oil	Corrosion-proof specifications have been used for the housing, fluorine rubber has been used for rubber parts, and stainless steel has been used for screws and nuts (except for the actuator) to increase resistance to oils, chemicals, and weather.	Environment-resistant, Corrosion-proof Switches	Standard model *1 High-sensitivity, High-precision model *1	WL□-RP-N WLG□-RP
	Water drops and mist	Uses an airtight built-in switch.	Environment-resistant, Airtight Switches	Standard model *1 High-sensitivity, High-precision model *1	WL□-55-N WLG□-55
	Constant water drops and mist	Cables are attached. Uses a general-purpose built-in switch. The cover screws, case cover, and conduit opening are molded from epoxy resin to increase the seal. (The cover cannot be removed.)	Environment-resistant, Molded-terminal Switches	Standard model *1*2 High-sensitivity, High-precision model *1*2	WL□-139-N WLG□-139
		Cables are attached. Uses an airtight built-in switch. The case cover and conduit opening are molded from epoxy resin to increase the seal. (The cover cannot be removed.) The SC connector can be removed, so it is possible to use flexible conduit for the cable.	Environment-resistant, Molded-terminal Switches	Standard model *1*2 High-sensitivity, High-precision model *1*2	WL□-RP40-N WLG□-RP40
		Cables are attached. Uses an airtight built-in switch. The cover screws, case cover, and conduit opening are molded from epoxy resin to increase the seal. (The cover cannot be removed.)	Environment-resistant, Molded-terminal Switches	Standard model *1*2 High-sensitivity, High-precision model *1*2	WL□-140-N WLG□-140
	Constant water drops or splattering cutting powder	Cables are attached. Uses an airtight built-in switch. The cover screws, case cover, and conduit opening are molded from epoxy resin to increase the seal. (The cover cannot be removed.) Two-layer seal on actuator rotation shaft.	Environment-resistant, Molded-terminal Switches	Standard model *1*2 High-sensitivity, High-precision model *1*2	WL□-141-N WLG□-141
-141: The Head section is molded from epoxy resin; Head direction cannot be changed. -145: The Head section is molded from epoxy resin; Head can be in any of 4 directions.		Environment-resistant, Molded-terminal Switches	Standard model *1*2 High-sensitivity, High-precision model *1*2	WL□-145-N WLG□-145	
Coolant	Cables are attached. Uses an airtight built-in switch. The cover screws, case cover, conduit opening, and head screws are molded from epoxy resin to increase the seal. (The cover and head cannot be removed.) Rubber parts are made from fluorine rubber to increase resistance to coolant.	Environment-resistant, Anti-coolant Switches	Standard model *1*2 High-sensitivity, High-precision model *1*2	WL□-RP60-N WLG□-RP60	
Spattering from welding	To prevent spatter during welding, a heat-resistant resin is used for the indicator cover and screws and rollers are all made from stainless steel.	Spatter-prevention Switches	Standard model High-sensitivity, High-precision model	WL□-□S-N WLG2-□S WLGCA2-□S	

\*1. Not all functions can be combined with environment-resistant models.

\*2. For details on the hermetic structure, see the hermetic mold specifications on pages 40 and 41.

According to Application Conditions

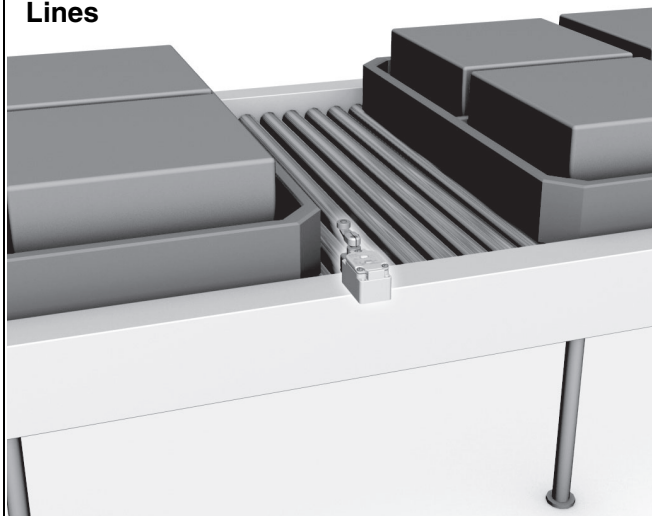
	Conditions	Key specifications	Models		
Load	Switching standard loads	10 A at 125,250, or 500 VAC 0.8 A at 125 VDC 0.4 A at 250 VDC	General-purpose Switches	Basic/Retention type Switches	WL□-□-N Applicable to either standard loads or microloads.
			Environment-resistant Switches	Basic Switches	
			Spatter-prevention Switches	Basic Switches	
			Long-life Switches	Basic Switches	
	Switching microloads	0.1 A at 125 VAC, resistive load 0.1 A at 30 VDC, resistive load	General-purpose Switches	Basic/Retention type Switches	WL□-□-N Applicable to either standard loads or microloads.
			General-purpose Microload Switches	High-sensitivity/High-precision Switches	WL WL01G□
Durability	Normal durability	Mechanical: 15 million operation min. (10 million operation min. for high-sensitivity models * or flexible rod models)	General-purpose Switches	Basic Switches	WL□-N
			Spatter-prevention Switches	Basic Switches	WL□-S-N
				High-sensitivity/High-precision Switches	WL WLG□ WLG□-S
				High-sensitivity/High-precision Switches	
Long-life	Mechanical: 30 million operation min.	Long-life Switches	Basic Switches	WLM□-N	
		Long-life Switches	High-sensitivity/High-precision Switches	WL WLMG□	

According to Ease of Installation and Maintenance

	Conditions	Key specifications	Models			
Operation indicator	Daily inspections and maintenance checks	Neon lamp 125 to 250 VAC Switching light-ON between operating/not operating. (Switching is not possible for Switches with Molded Terminals.)	General-purpose, Indicator-equipped Switches	Basic Switches	WL□-LE-N	
				High-sensitivity/High-precision Switches	WLG□-LE	
			Spatter-prevention Switches	Basic Switches	WL□-LES-N	
				High-sensitivity/High-precision Switches	WLG□-LES	
	LED 10 to 115 VAC/DC Switching light-ON between operating/not operating. (Switching not possible for models with molded terminals.)		General-purpose, Indicator-equipped Switches	Basic Switches	WL□-LD-N	
				High-sensitivity/High-precision Switches	WLG□-LD	
			Spatter-prevention Switches	Basic Switches	WL□-LDS-N	
				High-sensitivity/High-precision Switches	WLG□-LDS	
Wiring specification	Screw tightening and installation	Screw terminals. No ground terminal. Conduit size: G1/2	General-purpose Switches	Basic Switches	WL□-N	
				High-sensitivity/High-precision Switches	WLG□	
		Screw terminals. Ground terminal. Conduit size: 4 sizes	Long-life Switches	Basic Switches	WLM□-N	
				High-sensitivity/High-precision Switches	WLMG□	
One-touch connector attachment	Direct-wired connector, 2-conductor. Greatly reduces wiring work.		General-purpose Switches	Basic Switches	WL□-□LDK13□-N	
				High-sensitivity/High-precision Switches	WLG□-□LDK13□	
		Direct-wired connector, 4-conductor. Greatly reduces wiring work.		Long-life Switches	Basic Switches	WLM□-LDK13□-N
					High-sensitivity/High-precision Switches	WLMG□-□LDK13□
			General-purpose Switches	Basic Switches	WL□-□LDK43□-N	
				High-sensitivity/High-precision Switches	WLG□-□LDK43□	
			Long-life Switches	Basic Switches	WLM□-LDK43□-N	
				High-sensitivity/High-precision Switches	WLMG□-□LDK43□	
Connector attachment in control and relay boxes	Pre-wired connector, 2-conductor. Greatly reduces wiring work. Smartclick connectors for even easier maintenance.		General-purpose Switches	Basic Switches	WL□-□LD-M1□J-N	
				High-sensitivity/High-precision Switches	WLG□-□LD-M1□J	
				Spatter-prevention Switches	Basic Switches	WL□-□IS-M1□J-1-N
					High-sensitivity/High-precision Switches	WLG□-□IS-M1□J-1
	Pre-wired connector, 4-conductor. Greatly reduces wiring work. Smartclick connectors for even easier maintenance.		Long-life Switches	Basic Switches	WLM□-LD-M1□J-N	
				High-sensitivity/High-precision Switches	WLMG□-LD-M1□J	
			General-purpose Switches	Basic Switches	WL□-□LD-□GJ-N	
				High-sensitivity/High-precision Switches	WLG□-□LD-□GJ□	
			Spatter-prevention Switches	Basic Switches	WL□-□IS-□GJS-N	
				High-sensitivity/High-precision Switches	WLG□-□IS-□GJS□	
			Long-life Switches	Basic Switches	WLM□-LD-□GJ-N	
				High-sensitivity/High-precision Switches	WLMG□-LD-□GJ□	

## Application Examples

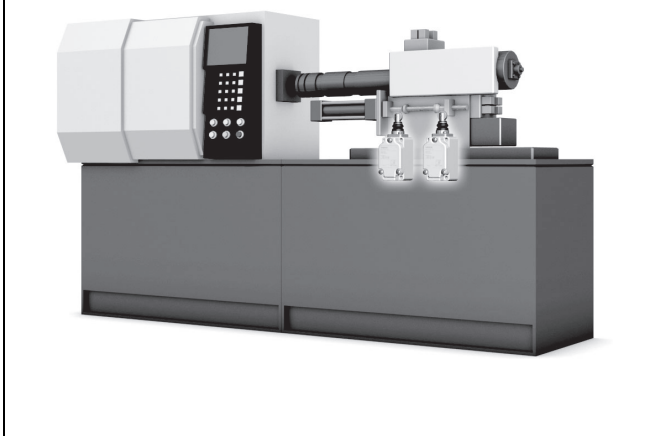
**Detection of Passing Pallets on Production Lines**



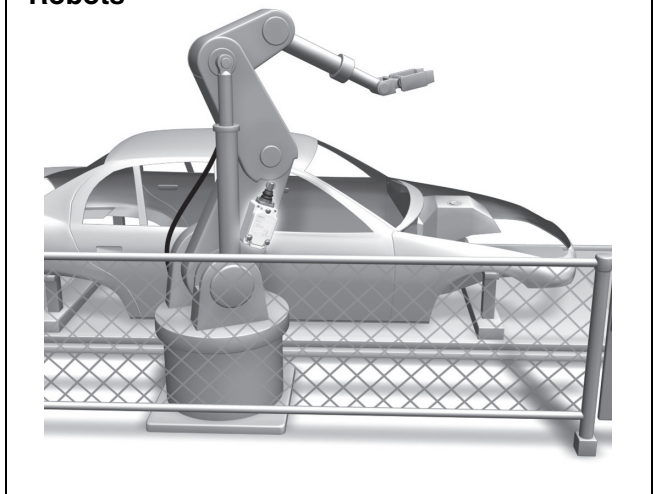
**Detection of Work Table Origins (X, Y, and Z) on Machine Tools**



**Detection of Forward and Reverse Movement of Hydraulic Cylinders on Molding Machines**



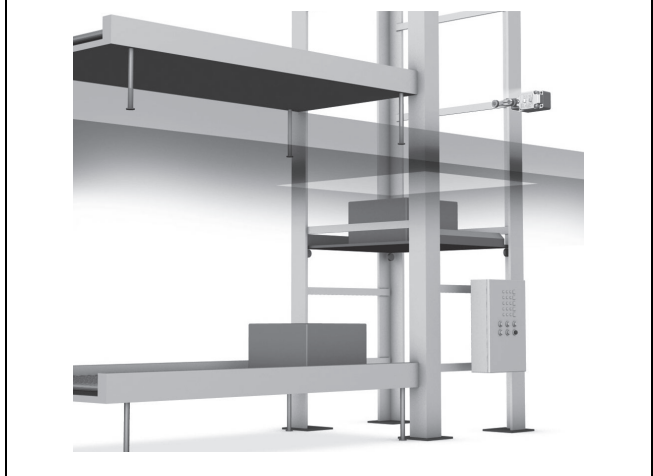
**Detection of Arm Movement on Welding Robots**



**Detection of Car Pallet Positions in Parking Towers**



**Detection of Vertical Limits on Conveyor Systems**



## Model Number Structure

### Model Number Legend (Not all combinations are possible. Ask your OMRON representative for details.)

#### General-purpose Switches

##### Standard Switches

##### Operation indicator Switches

##### Basic and Retention type Switches

WL□ - □□□□ -N  
 (1) (2) (3) (4) (5)

#### (1) Actuator and Property Specifications

Code	Actuator
CA2	Roller lever: R38 mm
CA2-7	Roller lever: R50 mm
CA2-8	Roller lever: R63 mm
CA12	Adjustable roller lever: R25 to 89 mm
CL	Adjustable rod lever: 25 to 140 mm
CAL4	Adjustable rod lever: 350 to 380 mm
CAL5	Rod spring lever
CA2-2	Roller lever: R38 mm
CA12-2	Adjustable roller lever: R25 to 89 mm
CL-2	Adjustable rod lever: 25 to 140 mm
CA2-2N	Roller lever: R38 mm
CA12-2N	Adjustable roller lever: R25 to 89 mm
CL-2N	Adjustable rod lever: 25 to 140 mm
CA32-41	Fork lock lever
CA32-42	Fork lock lever
CA32-43	Fork lock lever
D18	Sealed top plunger
D28	Sealed top-roller plunger
D38	Sealed top-ball plunger
D2	Top-roller plunger
SD	Horizontal plunger
SD2	Horizontal-roller plunger
SD3	Horizontal-ball plunger
NJ	Flexible rod: Coil spring
NJ-30	Flexible rod: Coil spring, multi-wire
NJ-2	Flexible rod: Resin rod
NJ-S2	Flexible rod: Steel wire

#### (2) Built-in Switch Specifications

Code	Specifications
Blank	Standard built-in switch
55	Airtight built-in switch

#### (3) Conduit Size, Ground Terminal Specifications

Code	Specifications	
	Conduit Size	Ground terminal
Blank	G <sup>1</sup> / <sub>2</sub>	None
G1	G <sup>1</sup> / <sub>2</sub>	Provided *
G	Pg13.5	
Y	M20	
TS	1/2-14NPT	

\* Models with ground terminals are certified for EN/IEC (CE Marking).

#### (4) Indicator Specifications

Code	Specifications
Blank	No indicator
LE	Neon lamp: 125 to 250 VAC
LD	LED (10 to 115 VAC/DC)

#### (5) Lever Specifications

Code	Specifications
Blank	Standard lever (Allen-head bolt)
A	Double nut lever



**Model Number Legend** (Not all combinations are possible. Ask your OMRON representative for details.)

**General-purpose Switches**

**Standard Switches**    **Operation indicator Switches**    **High-sensitivity and High-precision Switches**

WL□□ - □□□□□□□□  
 (1) (2)    (3) (4) (5) (6) (7) (8) (9) (10)

**(1) Electrical Rating**

Code	Specifications
Blank	Standard load
01	Microload

**(2) Actuator and Property Specifications**

Code	Actuator
G2	Roller lever: R38 mm High-sensitivity
GCA2	Roller lever: R38 mm High-precision
G12	Adjustable roller lever: R25 to 89 mm High-sensitivity
GL	Adjustable roller lever: 25 to 140 mm High-sensitivity

**(3) Built-in Switch Specifications**

Code	Specifications
Blank	Standard built-in switch
55	Airtight built-in switch

**(4) Conduit Size, Ground Terminal Specifications**

Code	Specifications	
	Conduit Size	Ground terminal
Blank	G <sup>1</sup> / <sub>2</sub>	None
G1	G <sup>1</sup> / <sub>2</sub>	Provided *
G	Pg13.5	
Y	M20	
TS	<sup>1</sup> / <sub>2</sub> -14NPT	

\* Models with ground terminals are certified for EN/IEC (CE Marking).

**(5) Indicator Type**

Code	Specifications
Blank	No indicator
LE	Neon lamp: 125 to 250 VAC
LD	LED (10 to 115 VAC/DC)

**(6) Lever Type**

Code	Specifications
Blank	Standard lever (Allen-head bolt)
A	Double nut lever

## Model Number Legend (Not all combinations are possible. Ask your OMRON representative for details.)

**General-purpose Switches**

**Sensor I/O Connector Switches**

**Basic and Retention type Switches**

WL□ - □ LD□ -N  
(1) (2) (3) (4)

### (1) Actuator and Property Specifications

Code	Actuator
CA2	Roller lever: R38 mm
D28	Sealed top-roller plunger
D2	Top-roller plunger

### (2) Built-in Switch Specifications

Code	Specifications
Blank	Standard built-in switch
55	Airtight built-in switch

### (3) Indicator Specifications

Code	Specifications
LD	LED (10 to 115 VAC/DC)

### (4) Connector Type Wiring Specifications

Code	Specifications				
	Shape	Voltage *1	Wiring locations	Connector pin No. *2	
K13A	Direct-wire Connector type	Threaded (M12)	AC	NO only	NO: ③ ④
K13			DC	NO only	NO: ③ ④
K43A		AC	NC+NO	NC: ① ②, NO: ③ ④	
K43		DC	NC+NO	NC: ① ②, NO: ③ ④	
-M1J	Pre-wired Connector type *3	Threaded (M12)	DC	NO only	NO: ③ ④
-M1GJ			DC	NO only	NO: ① ④
-M1JB			DC	NC only	NC: ③ ②
-AGJ			AC	NC+NO	NC: ① ②, NO: ③ ④
-DGJ			DC	NC+NO	NC: ① ②, NO: ③ ④
-DK1EJ			DC	NO only	NC: ②, NO: ③ ④
-M1TJ		Smartclick	DC	NO only	NO: ③ ④
-M1TGJ			DC	NO only	NO: ① ④
-M1TJB			DC	NC only	NC: ③ ②
-DTGJ			DC	NC+NO	NC: ① ②, NO: ③ ④
-DTK1EJ			DC	NO only	NC: ②, NO: ③ ④

\*1. DC models are certified for EN/IEC (CE Marking).

\*2. Refer to *Contact Forms* on page 21 for details on connector pin numbers.

\*3. The standard cable length is 0.3 m. Contact your OMRON representative for information on other cable lengths.

**Model Number Legend** (Not all combinations are possible. Ask your OMRON representative for details.)

**General-purpose Switches**

**Sensor I/O Connector Switches**    **High-sensitivity and High-precision Switches**

WL□□ - □LD□-N  
 (1) (2) (3) (4) (5)

**(1) Electrical Rating**

Code	Specifications
Blank	Standard load
01	Microload

**(2) Actuator and Property Specifications**

Code	Actuator
G2	Roller lever: R38 mm High-sensitivity
GCA2	Roller lever: R38 mm High-precision

**(3) Built-in Switch Specifications**

Code	Specifications
Blank	Standard built-in switch
55	Airtight built-in switch

**(4) Indicator Specifications**

Code	Specifications
LD	LED (10 to 115 VAC/DC)

**(5) Connector Type Wiring Specifications**

Code	Specifications			
	Shape	Voltage *1	Wiring locations	Connector pin No. *2
K13A	Direct-wire Connector type	AC	NO only	NO: ③ ④
K13		DC	NO only	NO: ③ ④
K43A		AC	NC+NO	NC: ① ②, NO: ③ ④
K43		DC	NC+NO	NC: ① ②, NO: ③ ④
-M1J *1	Threaded (M12)  Pre-wired Connector type *3	DC	NO only	NO: ③ ④
-M1GJ *1		DC	NO only	NO: ① ④
-M1JB		DC	NC only	NC: ③ ②
-AGJ03		AC	NC+NO	NC: ① ②, NO: ③ ④
-DGJ03 *1		DC	NC+NO	NC: ① ②, NO: ③ ④
-DK1EJ03 *1		DC	NO only	NC: ②, NO: ③ ④

\*1. DC models are certified for EN/IEC (CE Marking).

\*2. Refer to *Contact Forms* on page 21 for details on connector pin numbers.

\*3. The standard cable length is 0.3 m. Contact your OMRON representative for information on other cable lengths.

**Model Number Legend** (Not all combinations are possible. Ask your OMRON representative for details.)

**Environment-resistant Switches**

**Basic Switches**

WL□ - □□□□□□□□ -N  
 (1) (2) (3) (4) (5) (6) (7) (8) (9)

**(1) Actuator and Property Specifications**

Code	Actuator
CA2	Roller lever: R38 mm
CA2-7	Roller lever: R50 mm
CA2-8	Roller lever: R63 mm
CA12	Adjustable roller lever: R25 to 89 mm
CL	Adjustable rod lever: 25 to 140 mm
CAL4	Adjustable rod lever: 350 to 380 mm
CAL5	Rod spring lever
CA2-2	Roller lever: R38 mm
CA12-2	Adjustable roller lever: R25 to 89 mm
CL-2	Adjustable rod lever: 25 to 140 mm
CA2-2N	Roller lever: R38 mm
CA12-2N	Adjustable roller lever: R25 to 89 mm
CL-2N	Adjustable rod lever: 25 to 140 mm
CA32-41	Fork lock lever
CA32-42	Fork lock lever
CA32-43	Fork lock lever
D18	Sealed top plunger
D28	Sealed top-roller plunger
D38	Sealed top-ball plunger
D2	Top-roller plunger
SD	Horizontal plunger
SD2	Horizontal-roller plunger
SD3	Horizontal-ball plunger
NJ	Flexible rod: Coil spring
NJ-30	Flexible rod: Coil spring, multi-wire
NJ-2	Flexible rod: Resin rod
NJ-S2	Flexible rod: Steel wire

**(2) Environment-resistant Model Specifications**

Code	Specifications
Blank	Standard
RP	Corrosion-proof
P1	Weather-resistant

**(3) Built-in Switch Specifications**

Code	Specifications
Blank	Standard built-in switch
55	Airtight built-in switch

**(4) Temperature Specifications**

Code	Specifications
Blank	Standard: -10 to +80°C
TH	Heat-resistant: -5 to +120°C *1
TC	Low-temperature: -40 to +40°C *1

\*1. Cannot be combined with Corrosion-proof (RP) or Weather-proof (P1) Switches.

**(5) Hermetic Specifications**

Code	Specifications
Blank	No cable molding.
139	Standard built-in switch. Cable is attached. Molded conduit opening and cover. (The cover cannot be removed.)
140	Airtight built-in switch. Cable is attached. Molded conduit opening, cover, and cover screws. (The cover cannot be removed.)
141	Conduit opening, cover, head, cover attachment screw part, airtight built-in switch. Cable is attached. Molded head screws. (The cover cannot be removed and the head direction cannot be changed.) Two-layer seal on actuator rotation shaft.
145	Airtight built-in switch. Cable is attached. Molded conduit opening, cover, and cover screws. (The cover cannot be removed. The head can be mounted in any of 4 directions.) Two-layer seal on actuator rotation shaft.
RP40	Airtight built-in switch. Cable is attached. Molded conduit opening and cover. (The cover cannot be removed.) SC Connector can be removed, so it is possible to use flexible conduits for the cable.
RP60	Airtight built-in switch. Cable is attached. Molded conduit opening, cover, cover screws, and head screws. (The cover cannot be removed and the head direction cannot be changed.) Fluorine rubber is used for all rubber parts.

**(6) Conduit Size, Ground Terminal Specifications**

Code	Specifications	
	Conduit Size	Ground terminal
Blank	G1/2	None
G1	G1/2	Provided *2
G	Pg13.5	
Y	M20	
TS	1/2-14NPT	

\*2. Models with ground terminals are certified for EN/IEC (CE Marking).

**(7) Indicator Specifications**

Code	Specifications
Blank	No indicator
LE	Neon lamp: 125 to 250 VAC *3
LD	LED (10 to 115 VAC/DC) *3

\*3. Cannot be combined with Corrosion-proof (RP), Weather-proof (P1), Heat-resistant (TC), or Low-temperature (TC) Switches.

**(8) Indicator Wiring Specifications**

Code	Specifications
2	NC connection: Light-ON when operating *4
3	NO connection: Light-ON when not operating *4

\*4. Always include the indicator wiring specification if you specify a (5) hermetic structure and an (7) indicator.

**(9) Lever Type**

Code	Specifications
Blank	Standard lever (Allen-head bolt)
A	Double nut lever

**Model Number Legend** (Not all combinations are possible. Ask your OMRON representative for details.)

**Environment-resistant Switches**

**High-sensitivity and High-precision Switches**

WL□□ - □□□□□□□□  
 (1) (2) (3) (4) (5) (6) (7) (8) (9) (10)

**(1) Electrical Rating**

Code	Specifications
Blank	Standard load
01	Microload

**(2) Actuator and Property Specifications**

Code	Actuator
G2	Roller lever: R38 mm High sensitivity
GCA2	Roller lever: R38 mm High-precision
G12	Adjustable roller lever: R25 to 89 mm High sensitivity
GL	Adjustable rod lever: 25 to 140 mm High sensitivity

**(3) Environment-resistant Model Specifications**

Code	Specifications
Blank	Standard
RP	Corrosion-proof
P1	Weather-proof

**(4) Built-in Switch Specifications**

Code	Specifications
Blank	Standard built-in switch
55	Airtight built-in switch

**(5) Temperature Specifications**

Code	Specifications
Blank	Standard: -10 to +80°C
TH	Heat-resistant: -5 to +120°C *1
TC	Low-temperature: -40 to +40°C *1

\*1. Cannot be combined with Corrosion-proof (RP) or Weather-proof (P1) Switches.

**(6) Hermetic Specification**

Code	Specifications
Blank	No cable molding.
139	Standard built-in switch. Cable is attached. Molded conduit opening and cover. (The cover cannot be removed.)
140	Airtight built-in switch. Cable is attached. Molded conduit opening, cover, and cover screws. (The cover cannot be removed.)
141	Conduit opening, cover, head, cover attachment screw part, airtight built-in switch. Cable is attached. Molded head screws. (The cover cannot be removed and the head direction cannot be changed.) Two-layer seal on actuator rotation shaft.
145	Airtight built-in switch. Cable is attached. Molded conduit opening, cover, and cover screws. (The cover cannot be removed. The head can be mounted in any of 4 directions.) Two-layer seal on actuator rotation shaft.
RP40	Airtight built-in switch. Cable is attached. Molded conduit opening and cover. (The cover cannot be removed.) SC Connector can be removed, so it is possible to use flexible conduits for the cable.
RP60	Airtight built-in switch. Cable is attached. Molded conduit opening, cover, cover screws, and head screws. (The cover cannot be removed and the head direction cannot be changed.) Fluorine rubber is used for all rubber parts.

**(7) Conduit Size, Ground Terminal Specifications**

Code	Specifications	
	Conduit Size	Ground terminal
Blank	G1/2	None
G1	G1/2	Provided *2
G	Pg13.5	
Y	M20	
TS	1/2-14NPT	

\*2. Models with ground terminals are certified for EN/IEC (CE Marking).

**(8) Indicator Type**

Code	Specifications
Blank	No indicator
LE	Neon lamp: 125 to 250 VAC *3
LD	LED (10 to 115 VAC/DC) *3

\*3. Cannot be combined with Corrosion-proof (RP), Weather-proof (P1), Heat-resistant (TC), or Low-temperature (TC) Switches.

**(9) Indicator Wiring Specification**

Code	Specifications
2	NC connection: Light-ON when operating *4
3	NO connection: Light-ON when not operating *4

\*4. Always include the indicator wiring specification if you specify a (6) hermetic structure and an (8) indicator.

**(10) Lever Type**

Code	Specifications
Blank	Standard lever (Allen-head bolt)
A	Double nut lever

## Model Number Legend (Not all combinations are possible. Ask your OMRON representative for details.)

### Spatter-prevention Switches

### Basic Switches

WL□ - □□ S□ -N  
(1) (2) (3) (4)

#### (1) Actuator and Property Specifications

Code	Actuator
CA2	Roller lever: R38 mm
D28	Sealed top-roller plunger

#### (2) Built-in Switch Specifications

Code	Specifications
Blank	Standard built-in switch
55	Airtight built-in switch

#### (3) Indicator Specifications

Code	Specifications
LE	Neon lamp: 125 to 250 VAC *1
LD	LED (10 to 115 VAC/DC)

\*1. Cannot be combined with a (4) Connector Type Wiring Specifications.

#### (4) Connector Type Wiring Specifications

Code	Specifications				
	Shape	Voltage *2	Wiring locations	Connector pin No. *3	
Blank	Screw terminal type	---	---	---	
-M1J-1	Pre-wired Connector type *4	Threaded (M12)	DC	NO only	NO: ③ ④
-M1GJ-1			DC	NO only	NO: ① ④
-DGJS		DC	NC+NO	NC: ① ②, NO: ③ ④	
-DTGJS		Smartclick	DC	NC+NO	NC: ① ②, NO: ③ ④

\*2. DC models are certified for EN/IEC (CE Marking).

\*3. Refer to *Contact Forms* on page 21 for details on connector pin numbers.

\*4. The standard cable length is 0.3 m. Contact your OMRON representative for information on other cable lengths.

### Spatter-prevention Switches

### High-sensitivity and High-precision Switches

WL□□ - □□ S□  
(1) (2) (3) (4) (5)

#### (1) Electrical Rating

Code	Specifications
Blank	Standard load
01	Microload

#### (2) Actuator and Property Specifications

Code	Actuator
Blank	Roller lever: R38 High-sensitivity
GCA2	Roller lever: R38 High-precision

#### (3) Built-in Switch Specifications

Code	Specifications
Blank	Standard built-in switch
55	Airtight built-in switch

#### (4) Indicator Specifications

Code	Specifications
LE	Neon lamp: 125 to 250 VAC *1
LD	LED (10 to 115 VAC/DC)

\*1. Cannot be combined with a (5) Connector Type Wiring Specifications.

#### (5) Connector Type Wiring Specifications

Code	Specifications				
	Shape	Voltage *2	Wiring locations	Connector pin No. *3	
Blank	Screw terminal type	---	---	---	
-M1J -1	Pre-wired Connector type *4	Threaded (M12)	DC	NO only	NO: ③ ④
-M1GJ -1			DC	NO only	NO: ① ④
-DGJS03		DC	NC+NO	NC: ① ②, NO: ③ ④	

\*2. DC models are certified for EN/IEC (CE Marking).

\*3. Refer to *Contact Forms* on page 21 for details on connector pin numbers.

\*4. The standard cable length is 0.3 m. Contact your OMRON representative for information on other cable lengths.

**Model Number Legend** (Not all combinations are possible. Ask your OMRON representative for details.)

**Long-life Switches**      **Basic Switches**

**WLM□ - LD□ -N**  
 (1) (2) (3)

**(1) Actuator and Property Specifications**

Code	Actuator
CA2	Roller lever: R38 mm

**(2) Indicator Type**

Code	Specifications
LD	LED (10 to 115 VAC/DC)

**(3) Connector Type Wiring Specifications**

Code	Specifications				
	Shape	Voltage	Wiring locations	Connector pin No. *1	
Blank	Screw terminal type	---	---	---	
K13A	Direct-wire Connector type	Threaded (M12)	AC	NO only	NO: ③ ④
K13			DC	NO only	NO: ③ ④
K43A		AC	NC+NO	NC: ① ②, NO: ③ ④	
K43		DC	NC+NO	NC: ① ②, NO: ③ ④	
-M1J	Pre-wired Connector type *2	Threaded (M12)	DC	NO only	NO: ③ ④
-AGJ			AC	NC+NO	NC: ① ②, NO: ③ ④
-DGJ		DC	NC+NO	NC: ① ②, NO: ③ ④	
-M1TJ		Smartclick	DC	NO only	NO: ③ ④
-DTGJ			DC	NC+NO	NC: ① ②, NO: ③ ④

\*1. Refer to *Contact Forms* on page 21 for details on connector pin numbers.  
 \*2. The standard cable length is 0.3 m. Contact your OMRON representative for information on other cable lengths.

**Long-life Switches**      **High-sensitivity and High-precision Switches**

**WLM□ - LD□**  
 (1) (2) (3)

**(1) Actuator and Property Specifications**

Code	Actuator
G2	Roller lever: R38 mm High-sensitivity
GCA2	Roller lever: R38 mm High-precision

**(2) Indicator Type**

Code	Specifications
LD	LED (10 to 115 VAC/DC)

**(3) Connector Type Wiring Specifications**

Code	Specifications				
	Shape	Voltage	Wiring locations	Connector pin No. *1	
Blank	Screw terminal type	---	---	---	
K13A	Direct-wire Connector type	Threaded (M12)	AC	NO only	NO: ③ ④
K13			DC	NO only	NO: ③ ④
K43A		AC	NC+NO	NC: ① ②, NO: ③ ④	
K43		DC	NC+NO	NC: ① ②, NO: ③ ④	
-M1J	Pre-wired Connector type *2	Threaded (M12)	DC	NO only	NO: ③ ④
-AGJ03			AC	NC+NO	NC: ① ②, NO: ③ ④
-DGJ03		DC	NC+NO	NC: ① ②, NO: ③ ④	

\*1. Refer to *Contact Forms* on page 21 for details on connector pin numbers.  
 \*2. The standard cable length is 0.3 m. Contact your OMRON representative for information on other cable lengths.




## Ordering Information





**General-purpose Switches**

**Standard Switches**




### Switches with Roller Lever Actuators

#### Basic Switches

Actuator	Roller lever: R38 	Roller lever: R50 	Roller lever: R63 
Pretravel (PT)	Model	Model	Model
15±5°	WLCA2-N	WLCA2-7-N	WLCA2-8-N
25±5°	WLCA2-2-N	—	—
20° max.	WLCA2-2N-N	—	—

Actuator	Adjustable roller lever 	Adjustable rod lever: 25 to 140 mm 	Adjustable rod lever: 350 to 380 mm 	Rod spring lever 
Pretravel (PT)	Model	Model	Model	Model
15±5°	WLCA12-N	WLCL-N	WLCAL4-N	WLCAL5-N
25±5°	WLCA12-2-N	WLCL-2-N	—	—
20° max.	WLCA12-2N-N	WLCL-2N-N	—	—

#### High-sensitivity Switches



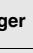

Actuator	Roller lever: R38 	Adjustable roller lever 	Adjustable rod lever: 25 to 140 mm 
Load	Model	Model	Model
Standard load	WLG2	WLG12	WGLL
Microload	WL01G2	WL01G12	WL01GL


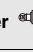
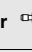
#### High-precision Switches

Actuator	Roller lever: R38 
Load	Model
Standard load	WLGCA2
Microload	WL01GCA2

### Switches with Plunger Actuators



#### Basic Switches



Actuator	Sealed Top Plunger 	Sealed Top-roller plunger 	Sealed Top-ball plunger 	Top-roller plunger 
Pretravel (PT)	Model	Model	Model	Model
1.7 mm max.	WLD18-N	WLD28-N	WLD38-N	WLD2-N

Actuator	Horizontal plunger 	Horizontal-roller plunger 	Horizontal-ball plunger 
Pretravel (PT)	Model	Model	Model
2.8 mm max.	W LSD-N	W LSD2-N	W LSD3-N

### Switches with Flexible Rod Actuators




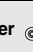
#### Basic Switches

Actuator	Coil spring (spring diameter: 6.5) 	Coil spring (spring diameter: 4.8) 
Pretravel (PT)	Model	Model
20±10 mm	WLNJ-N	WLNJ-30-N

Actuator	Resin rod (rod diameter: 8) 	Steel wire (wire diameter: 1) 
Pretravel (PT)	Model	
40±20 mm	WLNJ-2-N	WLNJ-S2-N

### Switches with Fork Lock Lever Actuator

#### Retention type Switches

Actuator	Fork lock lever 	Fork lock lever 	Fork lock lever 	Fork lock lever 
Pretravel (PT)	Model	Model	Model	Model
55° max.	WLCA32-41-N	WLCA32-42-N	WLCA32-43-N	WLCA32-44-N










**General-purpose Switches**

**Operation indicator Switches**


**Switches with Roller Lever Actuators**



**Basic Switches**

Actuator		Roller lever: R38 	Roller lever: R50 	Roller lever: R63 
Indicator *	Pretravel (PT)	Model	Model	Model
Neon lamp	15±5°	WLCA2-LE-N	WLCA2-7LE-N	WLCA2-8LE-N
	25±5°	WLCA2-2LE-N	—	—
	20° max.	WLCA2-2NLE-N	—	—
LED	15±5°	WLCA2-LD-N	WLCA2-7LD-N	WLCA2-8LD-N
	25±5°	WLCA2-2LD-N	—	—
	20° max.	WLCA2-2NLD-N	—	—


Actuator		Adjustable roller lever 	Adjustable rod lever: 25 to 140 mm 	Adjustable rod lever: 350 to 380 mm 	Rod Spring Lever 
Indicator *	Pretravel (PT)	Model	Model	Model	Model
Neon lamp	15±5°	WLCA12-LE-N	WLCL-LE-N	WLCAL4-LE-N	WLCAL5-LE-N
	25±5°	WLCA12-2LE-N	WLCL-2LE-N	—	—
	20° max.	WLCA12-2NLE-N	WLCL-2NLE-N	—	—
LED	15±5°	WLCA12-LD-N	WLCL-LD-N	WLCAL4-LD-N	WLCAL5-LD-N
	25±5°	WLCA12-2LD-N	WLCL-2LD-N	—	—
	20° max.	WLCA12-2NLD-N	WLCL-2NLD-N	—	—

**High-sensitivity Switches**

Actuator		Roller lever R38 
Indicator *	Pretravel (PT)	Model
Neon lamp	10° <sup>+2°</sup> <sub>-1°</sub>	WLG2-LE
LED		WLG2-LD




Actuator		Adjustable roller lever 	Adjustable rod lever: 25 to 140 mm 
Indicator *	Pretravel (PT)	Model	Model
Neon lamp	10° <sup>+2°</sup> <sub>-1°</sub>	WLG12-LE	WLGL-LE
LED		WLG12-LD	WLGL-LD

**High-precision Switches**

Actuator		Roller lever R38 
Indicator *	Pretravel (PT)	Model
Neon lamp	5° <sup>+2°</sup> <sub>0°</sub>	WLGCA2-LE
LED		WLGCA2-LD

**Switches with Fork Lock Lever Actuator**





**Retention type Switches**




Actuator		Fork lock lever 	Fork lock lever 	Fork lock lever 
Indicator *	Pretravel (PT)	Model	Model	Model
Neon lamp	55° max.	WLCA32-41LE-N	WLCA32-42LE-N	WLCA32-43LE-N
LED		WLCA32-41LD-N	—	WLCA32-43LD-N

\* The default setting is light-ON when not operating (NO wiring). Turn the lamp holder by 180° to change the setting to light-ON when operating (NC wiring).

## Switches with Plunger Actuators



### Basic Switches



Actuator		Sealed Top plunger 	Sealed Top-roller plunger 	Sealed Top-ball plunger 	Top-roller plunger 
Indicator *	Pretravel (PT)	Model	Model	Model	Model
Neon lamp	1.7 mm max.	WLD18-LE-N	WLD28-LE-N	WLD38-LE-N	WLD2-LE-N
LED		WLD18-LD-N	WLD28-LD-N	WLD38-LD-N	WLD2-LD-N

Actuator		Horizontal plunger 	Horizontal-roller plunger 	Horizontal-ball plunger 
Indicator *	Pretravel (PT)	Model	Model	Model
Neon lamp	2.8 mm max.	WLS2-LE-N	WLS2-LE-N	WLS2-LE-N
LED		WLS2-LD-N	WLS2-LD-N	WLS2-LD-N

## Switches with Flexible Rod Actuators

### Basic Switches

Actuator		Coil spring (spring diameter: 6.5) 	Coil spring (spring diameter: 8) 
Indicator *	Pretravel (PT)	Model	Model
Neon lamp	20±10 mm	WLNJ-LE-N	WLNJ-30LE-N
LED		WLNJ-LD-N	WLNJ-30LD-N

Actuator		Resin rod (rod diameter: 8) 	Steel wire (wire diameter: 1) 
Indicator *	Pretravel (PT)	Model	Model
Neon lamp	40±20 mm	WLNJ-2LE-N	WLNJ-S2LE-N
LED		WLNJ-2LD-N	WLNJ-S2LD-N



\* The default setting is light-ON when not operating (NO wiring). Turn the lamp holder by 180° to change the setting to light-ON when operating (NC wiring).

General-purpose Switches


Sensor I/O Connector Switches

Switches with Direct-wired Connectors


Basic Switches

Actuator						Roller lever: R38 	Sealed Top-roller plunger 
Connector shape	Built-in switch specification	Voltage	Wiring Specifications	Connector pin No.	Pretravel (PT)	Model	Model
Threaded	General-purpose	AC	NO only 2 core	NO ③ ④	15±5°	WLCA2-LDK13A-N	—
			NC + NO 4 core	NC ① ② NO ③ ④		WLCA2-LDK43A-N	—
		DC	NO only 2 core	NO ③ ④		WLCA2-LDK13-N	WLD28-LDK13-N
			NC + NO 4 core	NC ① ② NO ③ ④		WLCA2-LDK43-N	WLD28-LDK43-N
	Airtight	DC	NO only 2 core	NO ③ ④		WLCA2-55LDK13-N	WLD28-55LDK13-N
			NC + NO 4 core	NC ① ② NO ③ ④		WLCA2-55LDK43-N	WLD28-55LDK43-N

High-sensitivity Switches

Actuator						Roller lever: R38 
Connector shape	Built-in switch specification	Voltage	Wiring Specifications	Connector pin No.	Pretravel (PT)	Model
Threaded	General-purpose	DC	NO only 2 core	NO ③ ④	10° <sup>+2°</sup> <sub>-1°</sub>	WLG2-LDK13
			NC + NO 4 core	NC ① ② NO ③ ④		WLG2-LDK43
	Airtight		NO only 2 core	NO ③ ④		WLG2-55LDK13
			NC + NO 4 core	NC ① ② NO ③ ④		WLG2-55LDK43



High-precision Switches

Actuator						Roller lever: R38 
Connector shape	Built-in switch specification	Voltage	Wiring Specifications	Connector pin No.	Pretravel (PT)	Model
Threaded	General-purpose	DC	NO only 2 core	NO ③ ④	5° <sup>+2°</sup> <sub>-1°</sub>	WLGCA2-LDK13
			NC + NO 4 core	NC ① ② NO ③ ④		WLGCA2-LDK43
	Airtight		NO only 2 core	NO ③ ④		WLGCA2-55LDK13
			NC + NO 4 core	NC ① ② NO ③ ④		WLGCA2-55LDK43


**Note:** The default setting is light-ON when not operating (NO wiring).  
 Turn the lamp holder by 180° to change the setting to light-ON when operating (NC wiring).  
 (However, Four-core Switches cannot be switched to light-ON when operating (NC wiring).)

## Switches with Pre-wired Connectors


### Basic Switches

						Actuator	
						Roller lever: R38 	Sealed Top-roller Plunger 
Connector shape	Built-in switch specification	Voltage	Wiring Specifications	Connector pin No.	Pretravel (PT)	Model	Model
Threaded *	General-purpose	DC	NO only 2 core	NO ③ ④	15±5°	WLCA2-LD-M1J-N	WLD28-LD-M1J-N
				NO ① ④		WLCA2-LD-M1GJ-N	WLD28-LD-M1GJ-N
			NC only 2 core	NC ③ ②		WLCA2-LD-M1JB-N	—
				NC + NO 4 core		NC ① ② NO ③ ④	WLCA2-LD-DGJ-N
	Airtight		NO only 3 core	NO ③ ④ NC ②		WLCA2-LD-DK1EJ-N	WLD28-LD-DK1EJ-N
				NO only 2 core		NO ③ ④	WLCA2-55LD-M1J-N
			NO ① ④			WLCA2-55LD-M1GJ-N	WLD28-55LD-M1GJ-N
			NC only 2 core	NC ③ ②		WLCA2-55LD-M1JB-N	WLD28-55LD-M1JB-N
				NC + NO 4 core		NC ① ② NO ③ ④	WLCA2-55LD-DGJ-N
			NO only 3 core			NO ③ ④ NC ②	WLCA2-55LD-DK1EJ-N

### High-sensitivity Switches

						Actuator	
						Roller lever: R38 	
Connector shape	Built-in switch specification	Voltage	Wiring Specifications	Connector pin No.	Pretravel (PT)	Model	
Threaded *	General-purpose	DC	NO only 2 core	NO ③ ④	10° <sup>+2°</sup> <sub>-1°</sub>	WLG2-LDK13	
				NC + NO 4 core		NC ① ② NO ③ ④	WLG2-LDK43
	Airtight		NO only 2 core	NO ③ ④		WLG2-55LDK13	
				NC + NO 4 core		NC ① ② NO ③ ④	WLG2-55LDK43

### High-precision Switches

						Actuator	
						Roller lever: R38 	
Connector shape	Built-in switch specification	Voltage	Wiring Specifications	Connector pin No.	Pretravel (PT)	Model	
Threaded *	General-purpose	DC	NO only 2 core	NO ③ ④	5° <sup>+2°</sup> <sub>0°</sub>	WLG2-LDK13	
				NC + NO 4 core		NC ① ② NO ③ ④	WLG2-LDK43
	Airtight		NO only 2 core	NO ③ ④		WLG2-55LDK13	
				NC + NO 4 core		NC ① ② NO ③ ④	WLG2-55LDK43

\* The standard cable length for a pre-wired connector is 0.3 m. Contact your OMRON representative for information on other cable lengths.

**Note:** The default setting is light-ON when not operating (NO wiring).

Turn the lamp holder by 180° to change the setting to light-ON when operating (NC wiring).

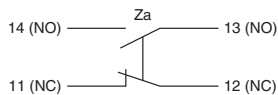
(However, Three-core and Four-core Switches cannot be switched to light-ON when operating (NC wiring).)

## Contact Forms

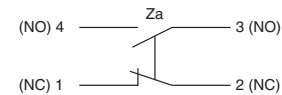
Wiring specification  
Screw terminal types

No indicator

### Basic Switches

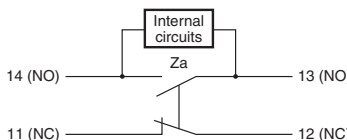


### High-sensitivity/ High-precision Switches

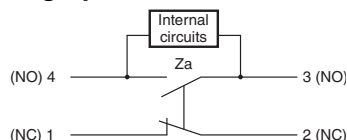


### Operation indicator (Light-ON when Not Operating) Switches

#### Basic Switches



#### High-sensitivity/ High-precision Switches

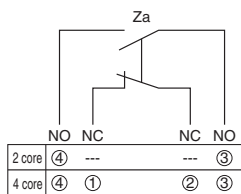


## Direct-wire Connector and Pre-wired Connector types

No indicator

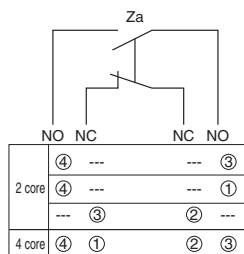
### Basic

AC



①②③④ indicate the connector pin number.

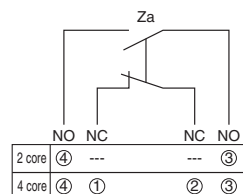
DC



①②③④ indicate the connector pin number.

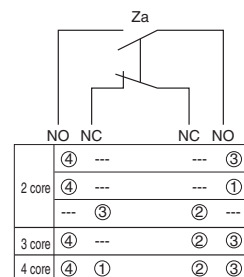
### High-sensitivity/High-precision Switches

AC



①②③④ indicate the connector pin number.

DC

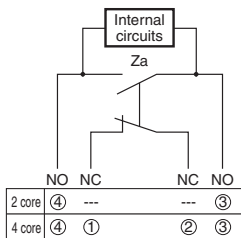


①②③④ indicate the connector pin number.

## Operation indicator (Light-ON when Not Operating) Switches

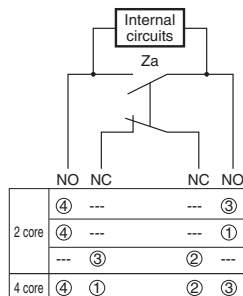
### Basic

AC



①②③④ indicate the connector pin number.

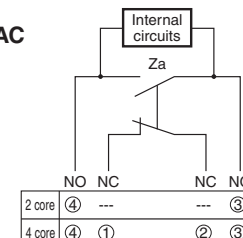
DC



①②③④ indicate the connector pin number.

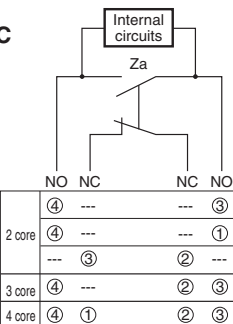
### High-sensitivity/High-precision Switches

AC



①②③④ indicate the connector pin number.

DC

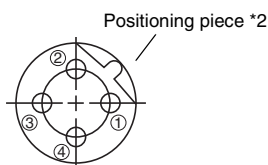


①②③④ indicate the connector pin number.

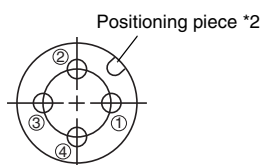
## Connector Pin Layout Diagram

### Basic/High-sensitivity/High-precision Switches

AC



DC

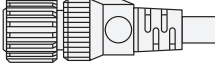


**Note:** Leakage current from indicator circuit may cause load malfunction (i.e., the load may remain ON). Make sure that the load operating current is higher than the leakage current. For countermeasures, refer to technical support on your OMRON website.

- \*1. Light-ON when not operating means the operation indicator is lit when the actuator is free and is not lit when the Switch contacts (NO) close when the actuator rotates or is pushed down.
- \*2. The position of the positioning piece is not always the same. If using an L-shaped connector causes problems in application, use a straight connector.

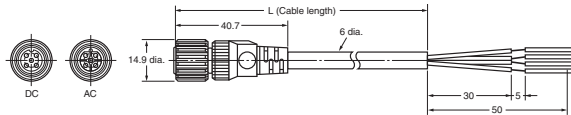
## Connecting Sensor I/O connector cable (Socket)



Type	AC/DC Type	Number of cable cores	Cable length L (m)	Model	Applicable limit switch models
M12 Screw (Straight) 	AC	2	2 m	XS2F-A421-DB0-F	WL□-□K13A-N
			5 m	XS2F-A421-GB0-F	
		4	2 m	XS2F-A421-D90-F	WL□-□K43A-N
			5 m	XS2F-A421-G90-F	WL□-□AGJ-N
	DC	2	2 m	XS2F-D421-DD0	WL□-□K13-N
			5 m	XS2F-D421-GD0	WL□-□M1J-N
		4	2 m	XS2F-D421-DA0-F	WL□-□M1GJ□-N
			5 m	XS2F-D421-GA0-F	
M12 Smart click type (Straight)	DC	4	2 m	XS5F-D421-D80-F	WL□-□M1TJ-N
			5 m	XS5F-D421-G80-F	WL□-□M1TJB-N

### Dimensions (Unit: mm)

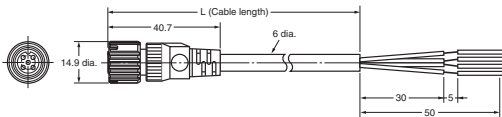
XS2F-□421-□□□-□  
XS2F-D421-□D0



### Wiring Diagram

AC/DC Type	Two-core model		Four-core model	
	Model	Wiring Diagram	Model	Wiring Diagram
AC	XS2F-A421-DB0-F XS2F-A421-GB0-F		XS2F-A421-D90-F XS2F-A421-G90-F	
	DC	XS2F-D421-DD0 XS2F-D421-GD0		
XS2F-D421-DA0-F XS2F-D421-GA0-F				

XS5F-D421-□80-F






### Wiring Diagram

AC/DC Type	Four-core model	
	Model	Wiring Diagram
DC	XS5F-D421-D80-F XS5F-D421-G80-F	


**Environment-resistant Switches**

**Switches with Roller Lever Actuators  
Basic Switches**

Actuator		Roller lever: R38 	Adjustable roller lever 	Adjustable rod lever: 25 to 140 mm 
Built-in switch specification		Model	Model	Model
Airtight seal		WLCA2-55-N	WLCA12-55-N	WLCL-55-N
		WLCA2-255-N	—	—
		WLCA2-2N55-N	—	—
Hermetic seal *	Molded terminals, -139 models	WLCA2-139-N	WLCA12-139-N	WLCL-139-N
		WLCA2-2139-N	—	—
		WLCA2-2N139-N	—	—
	Molded terminals, -140 models	WLCA2-140-N	WLCA12-140-N	WLCL-140-N
		—	—	—
		WLCA2-2N140-N	—	—
	Molded terminals, -141 models	WLCA2-141-N	WLCA12-141-N	—
		—	—	—
		—	—	—
	Anti-coolant	WLCA2-RP60-N	WLCA12-RP60-N	WLCL-RP60-N
WLCA2-2RP60-N		—	—	
—		—	—	
Heat-resistant		WLCA2-TH-N	WLCA12-TH-N	WLCL-TH-N
		WLCA2-2TH-N	WLCA12-2TH-N	WLCL-2TH-N
		WLCA2-2NTH-N	WLCA12-2NTH-N	WLCL-2NTH-N
Low-temperature		WLCA2-TC-N	WLCA12-TC-N	WLCL-TC-N
		WLCA2-2TC-N	WLCA12-2TC-N	WLCL-2TC-N
		WLCA2-2NTC-N	WLCA12-2NTC-N	WLCL-2NTC-N
Corrosion-proof		WLCA2-RP-N	WLCA12-RP-N	WLCL-RP-N
Weather-proof		WLCA2-P1-N	WLCA12-P1-N	WLCL-P1-N


\* The maximum cable length for a Hermetic Switch is 5 m.

**High-sensitivity Switches**

Actuator		Roller lever: R38 	Adjustable roller lever 	Adjustable rod lever: 25 to 140 mm 
Built-in switch specification		Model	Model	Model
Airtight seal		WLG2-55	—	—
Hermetic seal *	Molded terminals, -139 models	WLG2-139	—	—
	Molded terminals, -140 models	WLG2-140	—	—
	Molded terminals, -141 models	WLG2-141	—	—
	Anti-coolant	WLG2-RP60	—	—
Heat-resistant		WLG2-TH	WLG12-TH	WLGL-TH
Low-temperature		WLG2-TC	WLG12-TC	WLGL-TC
Corrosion-proof		WLG2-RP	WLG12-RP	WLGL-RP
Weather-proof		WLG2-P1	WLG12-P1	WLGL-P1

\* The maximum cable length for a Hermetic Switch is 5 m.





**High-precision Switches**

Actuator		Roller lever: R38 
Built-in switch specification		Model
Airtight seal		WLGCA2-55
Hermetic seal *	Molded terminals, -139 models	WLGCA2-139
	Molded terminals, -140 models	WLGCA2-140
	Molded terminals, -141 models	WLGCA2-141
	Anti-coolant	WLGCA2-RP60
Heat-resistant		WLGCA2-TH
Low-temperature		WLGCA2-TC
Corrosion-proof		WLGCA2-RP
Weather-proof		—

\* The maximum cable length for a Hermetic Switch is 5 m.

## Switches with Plunger Actuators



### Basic Switches

Actuator		Sealed Top-roller plunger 	Top-roller plunger 	Horizontal plunger 	Horizontal-roller plunger 
Built-in switch specification		Model	Model	Model	Model
Airtight seal		WLD28-55-N	WLD2-55-N	WLS2-55-N	WLS2-55-N
Hermetic seal *	Molded terminals, -139 models	WLD28-139-N	WLD2-139-N	WLS2-139-N	WLS2-139-N
	Molded terminals, -140 models	WLD28-140-N	—	—	WLS2-140-N
	Anti-coolant	WLD28-RP60-N	WLD2-RP60-N	WLS2-RP60-N	WLS2-RP60-N
Heat-resistant		WLD28-TH-N	WLD2-TH-N	WLS2-TH-N	WLS2-TH-N
Low-temperature		—	—	WLS2-TC-N	WLS2-TC-N
Corrosion-proof		WLD28-RP-N	—	WLS2-RP-N	WLS2-RP-N

\* The maximum cable length for a Hermetic Switch is 5 m.

## Switches with Flexible Rod Actuators

### Basic Switches

Actuator		Coil spring (spring diameter: 6.5) 	Resin rod (rod diameter: 8) 
Built-in switch specification		Model	Model
Airtight seal		WLNJ-55-N	WLNJ-255-N
Hermetic seal *	Molded terminals, -139 models	WLNJ-139-N	WLNJ-2139-N
	Molded terminals, -140 models	WLNJ-140-N	WLNJ-2140-N
	Anti-coolant	WLNJ-RP60-N	WLNJ-2RP60-N
Heat-resistant		WLNJ-TH-N	—
Low-temperature		WLNJ-TC-N	—
Corrosion-proof		WLNJ-RP-N	WLNJ-2RP-N

\* The maximum cable length for a Hermetic Switch is 5 m.




Environment-resistant Switches

Operation indicator Switches


Switches with Roller Lever Actuators  
Basic Switches

		Actuator		Roller lever: R38 	Adjustable roller lever 	Adjustable rod lever: 25 to 140 mm 
Built-in switch specification		Indicator *	Wiring Specifications	Model	Model	Model
Airtight seal	Neon lamp		NO wiring	WLCA2-55LE-N	WLCA12-55LE-N	—
			NO wiring	WLCA2-255LE-N	—	—
			NO wiring	WLCA2-2N55LE-N	—	—
	LED		NO wiring	WLCA2-55LD-N	WLCA12-55LD-N	WLCL-55LD-N
			NO wiring	WLCA2-255LD-N	—	—
			NO wiring	WLCA2-2N55LD-N	—	—
Hermetic seal	Molded terminals, -139 models	LED	NC wiring	WLCA2-139LD2-N	—	—
			NO wiring	WLCA2-139LD3-N	—	—
			NC wiring	WLCA2-2139LD2-N	—	—
	NO wiring		WLCA2-2139LD3-N	—	—	
	Molded terminals, -140 models		NC wiring	WLCA2-141LD2-N	—	—
			NO wiring	WLCA2-141LD3-N	—	—
			NC wiring	WLCA2-RP60LD2-N	—	—
	Anti-coolant		NO wiring	WLCA2-RP60LD3-N	—	—
			NC wiring	WLCA2-2RP60LD2-N	—	—
NO wiring		WLCA2-2RP60LD3-N	—	—		

High-sensitivity Switches

		Actuator		Roller lever: R38 
Built-in switch specification		Indicator *	Wiring Specifications	Model
Airtight seal		Neon lamp	NO wiring	WLG2-55LE
		LED	NO wiring	WLG2-55LD
Hermetic seal	Molded terminals, -139 models	LED	NC wiring	—
			NO wiring	WLG2-139LD3
	Molded terminals, -140 models		NC wiring	WLG2-140LD2
			NO wiring	WLG2-140LD3
	Molded terminals, -141 models		NC wiring	WLG2-141LD2
			NO wiring	WLG2-141LD3
	Anti-coolant		NC wiring	WLG2-RP60LD2
NO wiring		WLG2-RP60LD3		





High-precision Switches

		Actuator		Roller lever: R38 
Built-in switch specification		Indicator *	Wiring Specifications	Model
Airtight seal		Neon lamp	NO wiring	WLGCA2-55LE
		LED	NO wiring	WLGCA2-55LD
Hermetic seal	Molded terminals, -139 models	LED	NC wiring	WLGCA2-139LD2
			NO wiring	WLGCA2-139LD3
	Molded terminals, -140 models		NC wiring	WLGCA2-140LD2
			NO wiring	WLGCA2-140LD3
	Molded terminals, -141 models		NC wiring	—
			NO wiring	WLGCA2-141LD3
	Anti-coolant		NC wiring	WLGCA2-RP60LD2
NO wiring		WLGCA2-RP60LD3		

\* The default setting is light-ON when not operating (NO wiring).  
Turn the lamp holder by 180° to change the setting to light-ON when operating (NC wiring).  
(Note that the lamp holder cannot be replaced on hermetic models.)

## Switches with Plunger Actuators



### Basic Switches

Actuator			Sealed top-roller plunger 	Top-roller plunger 	Horizontal plunger 	Horizontal-roller plunger 
Internal switch Specifications	Indicator *	Wiring Specifications	Model	Model	Model	Model
Airtight seal	Neon lamp	NO wiring	WLD28-55LE-N	WLD2-55LE-N	—	—
	LED	NO wiring	WLD28-55LD-N	WLD2-55LD-N	WLS2-55LD-N	WLS22-55LD-N

\* The default setting is light-ON when not operating (NO wiring).  
Turn the lamp holder by 180° to change the setting to light-ON when operating (NC wiring).

## Switches with Flexible Rod Actuators





### Basic Switches

Actuator			Coil spring (spring diameter: 6.5) 	Resin rod (rod diameter: 8) 
Internal switch Specifications	Indicator *	Wiring Specifications	Model	Model
Airtight seal	Neon lamp	NO wiring	—	—
	LED	NO wiring	WLNJ-55LD-N	WLNJ-255LD-N




\* The default setting is light-ON when not operating (NO wiring).  
Turn the lamp holder by 180° to change the setting to light-ON when operating (NC wiring).

**Spatter-prevention Switches**




**Basic Switches**

Actuator	Roller lever: R38 		Sealed Top-roller plunger 
	Double nut lever 	Allen-head lever 	
Indicator *	Model	Model	Model
Neon lamp	WLCA2-LEAS-N	WLCA2-LES-N	WLD28-LES-N
LED	WLCA2-LDAS-N	WLCA2-LDS-N	WLD28-LDS-N

**High-sensitivity Switches**

Actuator	Roller lever: R38 	
	Double nut lever 	Allen-head lever 
Indicator *	Model	Model
Neon lamp	WLG2-LEAS	WLG2-LES
LED	WLG2-LDAS	WLG2-LDS




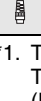
**High-precision Switches**

Actuator	Roller lever: R38 	
	Double nut lever 	Allen-head lever 
Indicator *	Model	Model
Neon lamp	—	WLGCA2-LES
LED	—	WLGCA2-LDS

\* The default setting is light-ON when not operating (NO wiring).  
Turn the lamp holder by 180° to change the setting to light-ON when operating (NC wiring).

**Long-life Switches**




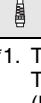
**Basic Switches**

Actuator	Indicator *1	AC/DC Type	Wiring Specifications	Connectors pin No.	Model
 Roller lever Screw terminal type	LED	AC/DC	—	—	WLMCA2-LD-N
 Roller lever Direct-wire Connector type		AC	2-conductor	NO ③ ④	WLMCA2-LDK13A-N
			4-conductor	NC ① ② NO ③ ④	WLMCA2-LDK43A-N
 Roller lever Pre-wired Connector type *2		DC	2-conductor	NO ③ ④	WLMCA2-LDK13-N
			4-conductor	NC ① ② NO ③ ④	WLMCA2-LDK43-N
 Roller lever Pre-wired Connector type *2		DC	2-conductor	NO ③ ④	WLMCA2-LD-M1J-N
	4-conductor		NC ① ② NO ③ ④	WLMCA2-LD-DGJ-N	

\*1. The default setting is light-ON when not operating (NO wiring).  
Turn the lamp holder by 180° to change the setting to light-ON when operating (NC wiring).  
(However, Four-core Switches cannot be switched to light-ON when operating (NC wiring).)

\*2. With 0.3-m cable.

**High-sensitivity/High-precision Switches**

Actuator	Indicator *1	AC/DC Type	Wiring Specifications	Connectors pin No.	High-sensitivity	High-precision Models
					Model	Model
 Roller lever Screw terminal type	LED	AC/DC	—	—	WLMG2-LD	WLMGCA2-LD
 Roller lever Direct-wire Connector type		AC	2-conductor	NO ③ ④	WLMG2-LDK13A	WLMGCA2-LDK13A
			4-conductor	NC ① ② NO ③ ④	WLMG2-LDK43A	WLMGCA2-LDK43A
 Roller lever Direct-wire Connector type		DC	2-conductor	NO ③ ④	WLMG2-LDK13	WLMGCA2-LDK13
			4-conductor	NC ① ② NO ③ ④	WLMG2-LDK43	WLMGCA2-LDK43
 Roller lever Pre-wired Connector type *2		DC	2-conductor	NO ③ ④	WLMG2-LD-M1J	WLMGCA2-LD-M1J
	4-conductor		NC ① ② NO ③ ④	WLMG2-LD-DGJ03	—	








\*1. The default setting is light-ON when not operating (NO wiring).  
Turn the lamp holder by 180° to change the setting to light-ON when operating (NC wiring).  
(However, Four-core Switches cannot be switched to light-ON when operating (NC wiring).)

\*2. With 0.3-m cable.

## Individual Parts


### Switches without Levers, Heads, and Actuators

#### General-purpose Parts

Actuator	Operating characteristics	Set	Switches without levers	Heads (with Actuators)	Actuator only *
			Model	Model	Model
Roller lever 	Basic	WLCA2-N	WLRCA2-N	WL-1H1100-N	WL-1A100
		WLCA2-2-N	WLRCA2-2-N	WL-3H1100-N	
	High-sensitivity	WLCA2-2N-N	WLRCA2-2N-N	WL-1H1100-N	
Adjustable roller lever 	Basic	WLCA12-N	WLRCA2-N	WL-1H2100-N	WL-2A100
		WLCA12-2-N	WLRCA2-2-N	WL-3H2100-N	
	High-sensitivity	WLCA12-2N-N	WLRCA2-2N-N	WL-1H2100-N	
Variable rod lever 	Basic	WLCL-N	WLRCL-N	WL-4H4100-N	WL-4A100
		WLCL-2-N	WLRCA2-2-N	WL-3H4100-N	
	High-sensitivity	WLCL-2N-N	WLRCA2-2N-N	WL-1H4100-N	
Fork lock lever 	Basic	WLCA32-41-N	WLRCA32-N	WL-5H5100-N	WL-5A100
		WLCA32-42-N		WL-5H5102-N	WL-5A102
		WLCA32-43-N		WL-5H5104-N	WL-5A104
WLCA32-44-N		WL-5H5104-N		WL-5A104	
Top plunger 	Basic	WLD18-N	—	WL-7H100-N	—
		WLD28-N		WL-7H400-N	—
		WLD38-N		WL-7H300-N	—
Horizontal plunger 	Basic	WLS-D-N	—	WL-8H100-N	—
		WLS-D2-N		WL-8H200-N	—
		WLS-D3-N		WL-8H300-N	—
Flexible rod 	Basic	WLNJ-N	—	WL-9H100-N	—
		WLNJ-30-N		WL-9H200-N	—
		WLNJ-2-N		WL-9H300-N	—
		WLNJ-S2-N		WL-9H400-N	—

\* The same Actuators can be used for both WL and WL-N Switches.

#### Spatter-prevention Parts

Actuator	Lever Specifications	Item	Set Model Numbers	Switches without levers	Heads (with Actuators)	Actuator only *
				Model	Model	Model
Roller lever 	Allen-head bolt lever	Basic	WLCA2-LES-N	WLRCA2-LES-N	—	WL-1A103S
			WLCA2-LDS-N	WLRCA2-LDS-N		
	Double nut lever	Basic	WLCA2-LEAS-N	WLRCA2-LES-N	—	WL-1A105S
			WLCA2-LDAS-N	WLRCA2-LDS-N		
		High-sensitivity	WLG2-LDAS	WLRG2-LDS		

\* The same Actuators can be used for both WL and WL-N Switches.

## Covers with Indicators (See Note.)

### General-purpose/Long-life Parts

#### Basic Parts

Indicator *2	Cover	
	Color	Cover only *1 Model
Neon lamp	Orange	WL-LE-N *3
LED	Red	WL-LD-N
	Yellow	WL-LW-N *3

#### High-sensitivity/High-precision Parts

Indicator *2	Cover	
	Color	Cover only *1 Model
Neon lamp	Orange	WL-LE
LED	Red	WL-LD

\*1. The Covers are not compatible with Basic Switches (WL-N), or High-sensitivity/High-precision Switches (WL).

\*2. The default setting is light-ON when not operating (NO wiring).

Turn the lamp holder by 180° to change the setting to light-ON when operating (NC wiring).

\*3. The Color Universal Design structure is certified by an NPO.

Certification conditions: Ambient illumination of 500 lx max. (JIS Z 9110)



Color Universal Design was developed in consideration of people with various types of color vision to allow information to be accurately conveyed to as many individuals as possible.

### Spatter-prevention Parts

#### Basic Parts

Indicator *	Cover	
	Color	Cover only Model
Neon lamp	Orange	WL-LES-N
LED	Red	WL-LDS-N

\* The default setting is light-ON when not operating (NO wiring).

Turn the lamp holder by 180° to change the setting to light-ON when operating (NC wiring).

# Specifications

## General-purpose/Environment-resistant Switches

### Ratings

### Wiring Specifications

#### Screw terminal types

#### Standard-load Switches (excluding micro-load Switches)

Item	Rated voltage (V)	Non-inductive load (A)				Inductive load (A)			
		Resistive load		Lamp load		Inductive load		Motor load	
		NC	NO	NC	NO	NC	NO	NC	NO
Basic	AC 125 250 500	10	3	1.5	10	5	2.5		
		10	2	1	10	3	1.5		
		10	1.5	0.8	3	1.5	0.8		
	DC 8 14 30 125 250	10	6	3	10	6			
		10	6	3	10	6			
		6	4	3	6	4			
	0.8	0.2	0.2	0.8	0.2				
	0.4	0.1	0.1	0.4	0.1				
High-sensitivity High-precision *1	AC 125 250	5	—	—	—	—			
	DC 125 250	0.4 0.2	—	—	—	—			

- Note:**
- The above figures are for steady-state currents.
  - Inductive loads have a power factor of 0.4 min. (AC) and a time constant of 7 ms max. (DC).
  - A lamp load has an inrush current of 10 times the steady-state current.
  - A motor load has an inrush current of 6 times the steady-state current.

Inrush current	NC	30 A max. (15 A max. *1)
	NO	20 A max. (10 A max. *1)

\*1. For High-sensitivity and High-precision Switches.

Operating characteristics	Minimum applicable load
Basic	5 VDC 1 mA, resistive load, P level
High-sensitivity, High-precision	5 VDC 160 mA, resistive load, N level reference value

#### Direct-wired connector and Pre-wired Connector type

Item	Rated voltage (V)	Non-inductive load (A)				Inductive load (A)			
		Resistive load		Lamp load		Inductive load		Motor load	
		NC	NO	NC	NO	NC	NO	NC	NO
Basic	AC 115	3	3	1.5	3	3	2.5		
		3	3	3	3	3			
	DC 12 24 115	3	3	0.2	0.8	0.8	0.2		
		0.8	0.2						
High-sensitivity High-precision *1	AC 115	3	—	—	—	—			
	DC 115	0.4	—	—	—	—			

- Note:**
- The above figures are for steady-state currents.
  - Inductive loads have a power factor of 0.4 min. (AC) and a time constant of 7 ms max. (DC).
  - A lamp load has an inrush current of 10 times the steady-state current.
  - A motor load has an inrush current of 6 times the steady-state current.

Inrush current	NC	3 A max.
	NO	3 A max.

Operating characteristics	Minimum applicable load
Basic	5 VDC 1 mA, resistive load, P level
High-sensitivity, High-precision	5 VDC 160 mA, RESISTIVE Load, N level reference value

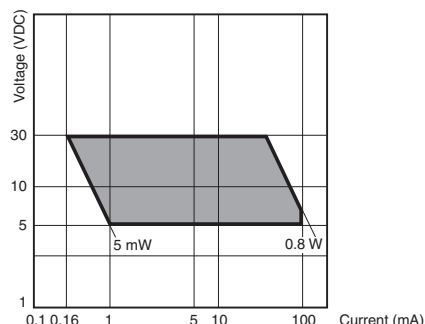
#### Micro-load Switches (Refer to these ratings before using the product.)

Rated voltage (V)	Rated current (A) - Resistive load
AC125	0.1
DC 30	

**Note:** The load is a resistive load.

Operation in the following ranges will produce optimum performance.

Recommended load range	5 to 30 VDC 0.16 to 100 mA
------------------------	-------------------------------



Operating characteristics	Minimum applicable load
High-sensitivity, High-precision	5 VDC 1 mA N level reference value

### Operation indicator Switches

#### Operation Indicator

Model		Max. rated voltage (V)	Leakage current (mA)
WL-LE-N WL-LE	Neon lamp	125 VAC	Approx. 0.6
		250 AC	Approx. 1.9
WL-LD-N WL-LW-N WL-LD	LED	10 to 24 VAC/DC	Approx. 0.4
		115 VAC/DC	Approx. 0.5

## Characteristics

<b>Degree of protection</b>		IP67
<b>Durability *1</b>	<b>Mechanical</b>	15,000,000 operations min. *2
	<b>Electrical</b>	750,000 operations min. (3 A at 250 VAC, resistive load) *3
<b>Operating speed</b>		1 mm to 1 m/s (for WLCA2-N)
<b>Operating frequency</b>	<b>Mechanical</b>	120 operations/minute min.
	<b>Electrical</b>	30 operations/minute min.
<b>Rated frequency</b>		50/60 Hz
<b>Insulation resistance</b>		100 MΩ min. (at 500 VDC)
<b>Contact resistance</b>		25 mΩ max. (initial value for the built-in switch when tested alone)
<b>Dielectric strength</b>	<b>Between terminals of the same polarity</b>	1,000 VAC (600 VAC) 50/60 Hz 1 min
	<b>Between current-carrying metal part and ground</b>	2,200 VAC (1,500 VAC) 50/60 Hz 1 min *5
	<b>Between each terminal and non-current-carrying metal part</b>	2,200 VAC (1,500 VAC) 50/60 Hz 1 min *5
<b>Vibration resistance</b>	<b>Malfunction</b>	10 to 55 Hz, 1.5-mm double amplitude *6
<b>Shock resistance</b>	<b>Destruction</b>	1,000 m/s <sup>2</sup> max.
	<b>Malfunction</b>	300 m/s <sup>2</sup> *6
<b>Ambient operating temperature</b>		-10 to +80°C (with no icing) *7
<b>Ambient operating humidity</b>		35% to 95% RH
<b>Weight</b>		Approx. 255 g (for WLCA2-N)

- Note:** 1. The above figures are initial values.  
 2. The figures in parentheses for dielectric strength are those for the high-sensitivity and high-precision switches models.
- \*1. The values are calculated at an operating temperature of +5°C to +35°C, and an operating humidity of 40% to 70% RH. Contact your OMRON sales representative for more detailed information on other operating environments.
- \*2. High-sensitivity models and Flexible Rod models: 10 million operations min.  
 500,000 operations min. for Weather-resistant models.
- \*3. High-sensitivity models, High-precision models, and Weather-proof models are 500,000 operations min.  
 Micro-load models are 1 million operations min.  
 Contact your OMRON representative for information on Airtight models and Hermetic models.
- \*4. Micro-load models and Weather-proof models are 50 mΩ or less (default value, built-in switch only).
- \*5. Sensor I/O connector type is 1,500 V.
- \*6. Except Flexible Rod models. Micro-load models are 200 m/s<sup>2</sup> max.
- \*7. For low-temperature models this is -40°C to +40°C (with no icing).  
 For heat-resistant models the range is +5°C to +120°C.



## Spatter-prevention Switches

### Ratings

### Wiring Specifications

#### Screw terminal types

Item	Rated voltage (V)	Non-inductive load (A)				Inductive load (A)			
		Resistive load		Lamp load		Inductive load		Motor load	
		NC	NO	NC	NO	NC	NO	NC	NO
WL□-LES-N	AC 125	10 (5)	3	1.5	10	5	2.5		
	250	10 (5)	2	1	10	3	1.5		
WL□-LDS-N	AC 115	10 (5)	3	1.5	10	5	2.5		
	DC 12	10	6	3	10	6	4		
	24	6	4	3	6	4			
	115	0.8(0.4)	0.2	0.2	0.8	0.2			

- Note:** 1. The above figures are for steady-state currents.  
 2. Inductive loads have a power factor of 0.4 min. (AC) and a time constant of 7 ms max. (DC).  
 3. A lamp load has an inrush current of 10 times the steady-state current.  
 4. A motor load has an inrush current of 6 times the steady-state current.  
 5. The figures in parentheses for resistive load are those for the high-sensitivity and high-precision switches models.

Inrush current	NC	30 A max. (15 A max. *)
	NO	20 A max. (10 A max. *)

\* For High-sensitivity and High-precision Switches.

Operating characteristics	Minimum applicable load
Basic	5 VDC 1 mA, resistive load, P level
High-sensitivity, High-precision	5 VDC 160 mA, Resistive load, N level reference value

### Direct-wired connector and Pre-wired Connector type

Item	Rated voltage (V)	Non-inductive load (A)				Inductive load (A)			
		Resistive load		Lamp load		Inductive load		Motor load	
		NC	NO	NC	NO	NC	NO	NC	NO
Basic	AC 115	3	3	1.5	3	3	2.5		
	DC 12	3	3	3	3	3			
	24	3	3	3	3	3			
	115	0.8	0.2	0.8	0.8	0.2			
High-sensitivity High-precision *1	AC 115	3	—	—	—	—			
	DC 115	0.4	—	—	—	—			

- Note:** 1. The above figures are for steady-state currents.  
 2. Inductive loads have a power factor of 0.4 min. (AC) and a time constant of 7 ms max. (DC).  
 3. A lamp load has an inrush current of 10 times the steady-state current.  
 4. A motor load has an inrush current of 6 times the steady-state current.

Inrush current	NC	3 A max.
	NO	3 A max.

Operating characteristics	Minimum applicable load
Basic	5 VDC 1 mA, resistive load, P level
High-sensitivity, High-precision	5 VDC 160 mA, Resistive load, N level reference value

## Operation indicator Switches

### Operation Indicator

Model		Max. rated voltage (V)	Leakage current (mA)
WL-LES-N WL-LE	Neon lamp	125 VAC	Approx. 0.6
		250 VAC	Approx. 1.9
WL-LDS-N WL-LD	LED	10 to 24 VAC/DC	Approx. 0.4
		115 VAC/DC	Approx. 0.5

### Characteristics

Degree of protection		IP67
Durability *1	Mechanical	15,000,000 operations min. *2
	Electrical	750,000 operations min. (3 A at 250 VAC, resistive load) *3
Operating speed		1 mm to 1 m/s (in case of WLCA2-LDS-N)
Operating frequency	Mechanical	120 operations/minute min.
	Electrical	30 operations/minute min.
Rated frequency		50/60Hz
Insulation resistance		100 MΩ min. (at 500 VDC)
Contact resistance		25 mΩ max. (initial value for the built-in switch)
Dielectric strength	Between terminals of the same polarity	1,000 VAC (600 VAC) 50/60 Hz 1 min
	Between current-carrying metal part and ground	2,200 VAC (1,500 VAC) 50/60 Hz 1 min *4
	Between each terminal and non-current-carrying metal part	2,200 VAC (1,500 VAC) 50/60 Hz 1 min *4
Vibration resistance	Malfunction	10 to 55 hz, 1.5-mm double amplitude
Shock resistance	Destruction	1,000 m/s <sup>2</sup> max.
	Malfunction	300 m/s <sup>2</sup> max.
Ambient operating temperature		-10 to +80°C (with no icing)
Ambient operating humidity		35% to 95% RH
Weight		Approx. 255 g (in case of WLCA2-LDS-N)

- Note:** 1. The above figures are initial values.  
 2. The figures in parentheses for dielectric strength are those for the high-sensitivity and high-precision switches models.  
 \*1. The values are calculated at an operating temperature of +5°C to +35°C, and an operating humidity of 40% to 70%RH. Contact your OMRON sales representative for more detailed information on other operating environments.  
 \*2. High-sensitivity models are 10 million operations min.  
 \*3. High-sensitivity models and High-precision models are 500,000 operations min. Micro-load models are 10 million operations min. Contact your OMRON representative for information on Airtight switches.  
 \*4. Sensor I/O connector type is 1,500 V.

**Long-life Switches**

**Ratings**

**Wiring Specifications**

**Screw terminal type**

Item	Rated voltage (V)	Non-inductive load (A)				Inductive load (A)			
		Resistive load		Lamp load		Inductive load		Motor load	
		NC	NO	NC	NO	NC	NO	NC	NO
Basic	AC 115	10	3	1.5	10	5	2.5		
	DC 12	10	6	3	10	6			
	24 115	6 0.8	4 0.2	3 0.2	6 0.8	4 0.2			
High-sensitivity High-precision *	AC 115	5	—	—	—	—	—		
	DC 115	0.4	—	—	—	—	—		

- Note:** 1. The above figures are for steady-state currents.  
 2. Inductive loads have a power factor of 0.4 min. (AC) and a time constant of 7 ms max. (DC).  
 3. A lamp load has an inrush current of 10 times the steady-state current.  
 A motor load has an inrush current of 6 times the steady-state current.

Inrush current	NC	30 A max. (15 A max. *)
	NO	20 A max. (10 A max. *)

\* For High-sensitivity and High-precision Switches.

Operating characteristics	Minimum applicable load
Basic	5 VDC 1 mA, resistive load, P level
High-sensitivity, High-precision	5 VDC 160 mA, Resistive load, N level reference value

**Direct-wired connector and Pre-wired Connector type**

Item	Rated voltage (V)	Non-inductive load (A)				Inductive load (A)			
		Resistive load		Lamp load		Inductive load		Motor load	
		NC	NO	NC	NO	NC	NO	NC	NO
Basic	AC 115	3	3	1.5	3	3	2.5		
	DC 12	3	3	3	3	3			
	24 115	3 0.8	3 0.2	3 0.2	3 0.8	3 0.2			
High-sensitivity High-precision *1	AC 115	3	—	—	—	—	—		
	DC 115	0.4	—	—	—	—	—		

- Note:** 1. The above figures are for steady-state currents.  
 2. Inductive loads have a power factor of 0.4 min. (AC) and a time constant of 7 ms max. (DC).  
 3. A lamp load has an inrush current of 10 times the steady-state current.  
 4. A motor load has an inrush current of 6 times the steady-state current.

Inrush current	NC	3 A max.
	NO	3 A max.

Operating characteristics	Minimum applicable load
Basic	5 VDC 1 mA, resistive load, P level
High-sensitivity, High-precision	5 VDC 160 mA, Resistive load, N level reference value

**Operation indicator Switches**

**Operation Indicator**

Model	Max. rated voltage (V)	Leakage current (mA)
WL-LD-N WL-LW-N WL-LD	10 to 24 VAC/DC	Approx. 0.4
	115 VAC/DC	Approx. 0.5

**Characteristics**

Degree of protection	IP67	
Durability *1	Mechanical	30,000,000 operations min.
	Electrical	30,000,000 operations min. (10 mA at 24 VDC, resistive load) 750,000 operations min. (3 A at 115 VAC, resistive load), but for high-precision models: High-sensitivity and High-precision Switches: 500,000 operations min.
Operating speed	1 mm to 1 m/s (in case of WLMCA2-LD-N)	
Operating frequency	Mechanical	120 operations/min.
	Electrical	30 operations/min.
Rated frequency	50/60 Hz	
Insulation resistance	100 MΩ min. (at 500 VDC)	
Contact resistance	25 mΩ max. (initial value for the built-in switch when tested alone) *2	
Dielectric strength (50/60 Hz 1 min.)	Between terminals of the same polarity	1,000 VAC (600 VAC), 50/60 Hz 1 min
	Between current-carrying metal part and ground	2,200 VAC (1,500 VAC) 50/60 Hz 1 min *3
	Between each terminal and non-current-carrying metal part	2,200 VAC (1,500 VAC) 50/60 Hz 1 min *3
Vibration resistance	Malfunction	10 to 55 Hz, 1.5-mm double amplitude
Shock resistance	Destruction	1,000 m/s <sup>2</sup> max.
	Malfunction	300 m/s <sup>2</sup> max. *4
Ambient operating temperature	-10 to +80°C (with no icing)	
Ambient operating humidity	35% to 95% RH	
Weight	Approx. 255 g (in case of WLMCA2-LD-N)	

- Note:** 1. The above figures are initial values.  
 2. The figures in parentheses for dielectric strength are those for the high-sensitivity and high-precision switches models.  
 \*1. The values are calculated at an operating temperature of +5°C to +35°C, and an operating humidity of 40% to 70%RH.  
 Contact your OMRON sales representative for more detailed information on other operating environments.  
 \*2. For microload models, the contact resistance is 50 mΩ max. (initial value for built-in switch).  
 \*3. Sensor I/O connector models are 1,500 V.  
 \*4. Micro-load models are 200 m/s<sup>2</sup> max.

**General-purpose/Environment-resistant/Spatter-prevention/Long-life Switches**

**Approved Standards**

Agency	Standard	File No.	Approved models
UL	UL508	Contact your OMRON representative for information	Contact your OMRON representative for information
CSA cUL	CSA C22.2 No.14		
TÜV Rheinland	EN60947-5-1		
CCC (CQC)	GB14048.5		

**Approved Standard Ratings**

UL/cUL, CSA (UL508, CSA C22.2 No.14)

Specifications			Approved Standards
Indicator	Sensor I/O connectors	Item	
No indicator	No Connector	Basic Switches	A600 1 A, 125 VDC
		High-sensitivity or high-precision	A600
	Pre-wired Connector (AC)	Basic, high-sensitivity or high-precision	C300 3 A, 250 VAC
		Pre-wired Connector (DC) Direct-wired Connector (DC)	Basic Switches
Neon lamp	No Connector	High-sensitivity or high-precision	0.8 A, 125 VDC
		Basic Switches	A300 10 A, 250 VAC
LED	No Connector	Basic, high-sensitivity or high-precision	C300 3 A, 250 VAC
		Basic Switches	A150 10 A, 115 VAC 1 A, 115 VDC
	Pre-wired Connector (AC)	High-sensitivity or high-precision	A150 10 A, 115 VAC 0.8 A, 115 VDC
		Basic, high-sensitivity or high-precision	C150 3 A, 115 VAC
Pre-wired Connector (DC) Direct-wired Connector (DC)	Basic Switches	1 A, 115 VDC	
	High-sensitivity or high-precision	0.8 A, 115 VDC	

**A600 Authentication conditions**

Rated voltage	Energizing current	Current (A)		Volt-ampere (VA)	
		Make	Break	Make	Break
120 VAC 240 VAC 480 VAC 600 VAC	10 A	60 30 15 12	6 3 1.5 1.2	7,200	720

**C300 Authentication conditions**

Rated voltage	Energizing current	Current (A)		Volt-ampere (VA)	
		Make	Break	Make	Break
120 VAC 240 VAC	2.5 A	15 7.5	1.5 0.75	1,800	180

**A300 Authentication conditions**

Rated voltage	Energizing current	Current (A)		Volt-ampere (VA)	
		Make	Break	Make	Break
120 VAC 240 VAC	10 A	60 30	6 3	7,200	720

**A150 Authentication conditions**

Rated voltage	Energizing current	Current (A)		Volt-ampere (VA)	
		Make	Break	Make	Break
120 VAC	10 A	60	6	7,200	720

**C150 Authentication conditions**

Rated voltage	Energizing current	Current (A)		Volt-ampere (VA)	
		Make	Break	Make	Break
120 VAC	2.5 A	15	1.5	1,800	180

**TÜV (EN 60947-5-1)**

(Certification Only for Switches with Ground Terminals and DC Switches with Connectors)

Authentication conditions	Specification					
	With ground terminals					With DC Connector
	No indicator	Neon lamp	LED			
Working load category	AC-15	DC-12	AC-15	AC-15	DC-12	DC-12
Rated working voltage (Ue)	250 V	48 V	250 V	115 V	48 V	48 V
Rated working current (Ie)	2 A					
Conditional short-circuit current	100 A					
Short-circuit protective device (SCPD)	10 A, fuse type gG					
Rated insulation voltage (Ui)	250 V					48 V
Rated impulse dielectric strength (Uimp)	4 kV					800 V
Pollution degree	3					
Electric shock protection class	Class I					Class III

**CCC (GB14048.5)**

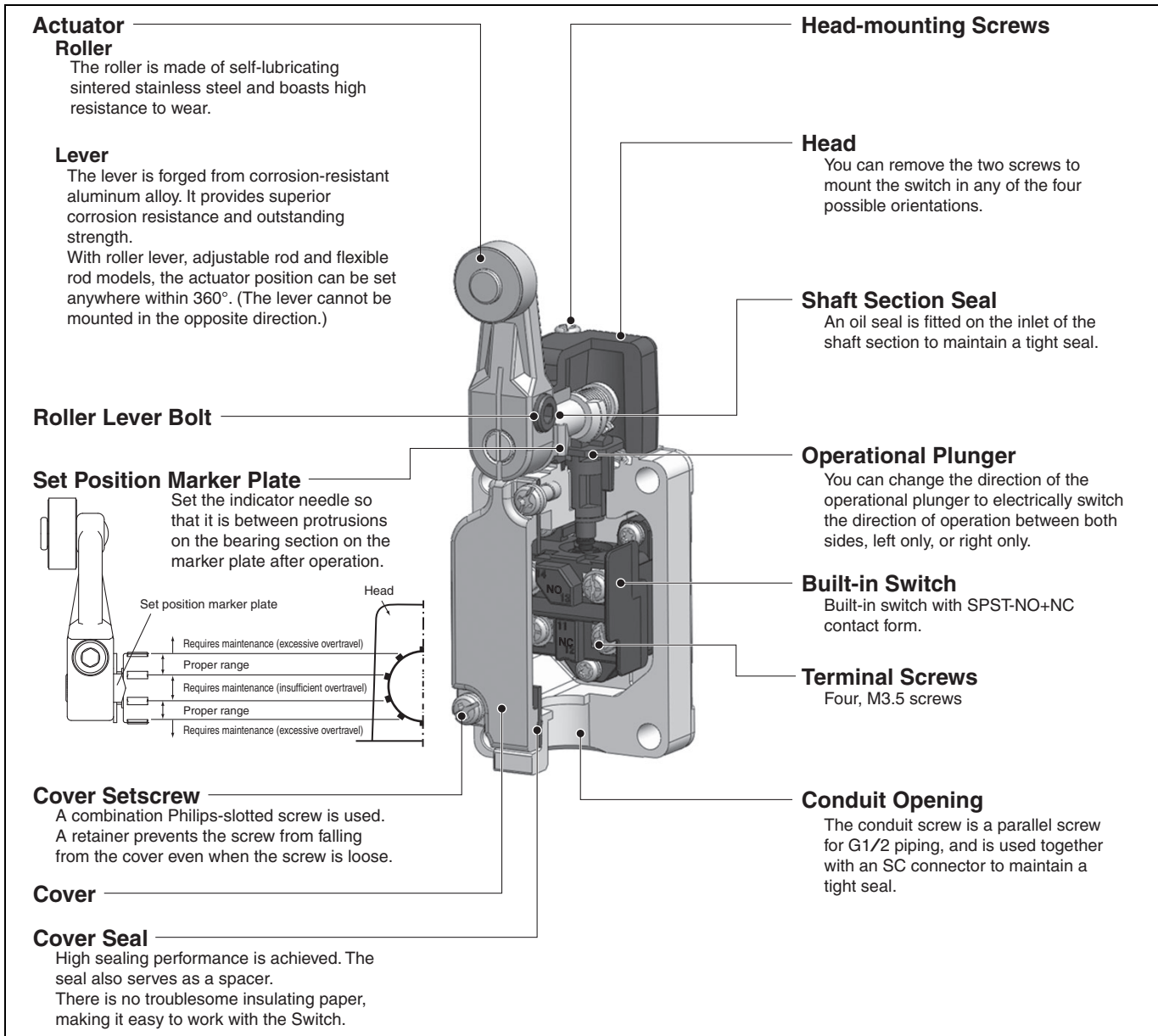
Authentication conditions	Specification						
	No indicator		Neon lamp	LED			With DC Connector
Working load category	AC-15	DC-13	AC-15	AC-15	DC-13	DC-13	AC-15
Rated working voltage (Ue)	250 V	48 V	250 V	250 V	48 V	48 V	250 V
Rated working current (Ie)	2 A						
Conditional short-circuit current	1000 A						
Short-circuit protective device (SCPD)	10 A, fuse type gG						
Rated insulation voltage (Ui)	250 V						

Structure and Nomenclature

General-purpose Switches: WLCA2-N

Standard Switches

Basic Switches



**General-purpose Switches:  
WLG2**

**Standard Switches**

**High-sensitivity and High-precision Switches**

**Head-mounting Screws**

**Head**

By removing the four corner screws, the head can be mounted in any of four orientations.

**Shaft Section Seal**

By fitting an O-ring to the rotary shaft and with an appropriate interference of the screws, high-sealing properties are maintained.

**Operational Plunger**

**Bearing**

The bearing smooths the plunger movement.

**Built-in Switch**

Built-in switch with SPST-NO+NC contact form.

**Terminal Screws**

Four, M4 screws

**Separator**

The separator has outstanding insulation properties and prevents the generation of any gases which may corrode the internal parts.

**Conduit Opening**

The conduit screw is a parallel screw for G1/2 piping, and is used together with an SC connector to maintain a tight seal.

**Actuator**

**Roller**

The roller is made of self-lubricating sintered stainless steel and boasts high resistance to wear.

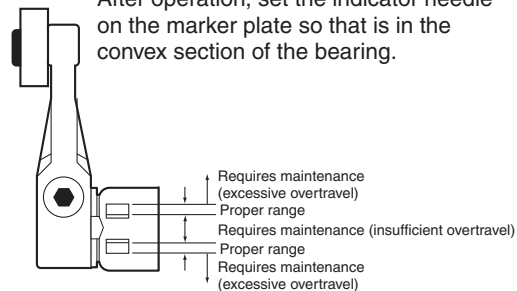
**Lever**

The lever forged of anti-corrosive aluminium alloy features high corrosion resistances and outstanding ruggedness. With roller lever, adjustable rod and flexible rod models, the actuator position can be set anywhere within 360°. (The lever cannot be mounted in the opposite direction.)

**Roller Lever Setscrew**

**Set Position Marker Plate**

After operation, set the indicator needle on the marker plate so that is in the convex section of the bearing.



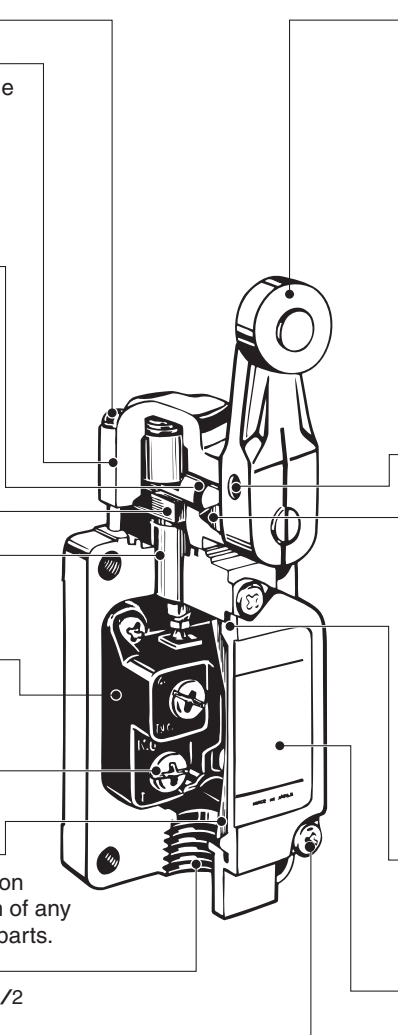
**Cover Seal**

By using a packing seal as the cover seal, an optimum squeeze can be obtained and high sealing properties are assured as well.

**Cover**

**Cover Setscrew**

A combination Philips-slotted screw is used. A retainer prevents the screw from falling from the cover even when the screw is loose.



Operation indicator Switches

Basic Switches

Indicator Covers

The indicator covered if outsert molded from diecast aluminum and has outstanding sealing properties.

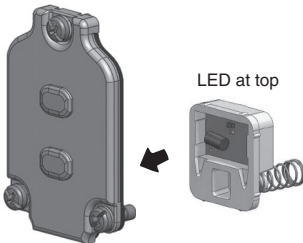
Indicator Windows

Operating status (i.e., light-ON when operating or light-ON when not operating) depends on whether a neon lamp or an LED is used.

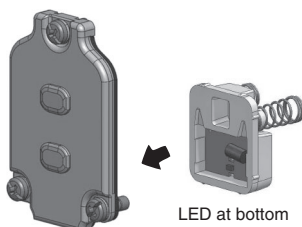
Light-ON when Operating/Not Operating

Indicators can be switched from light-ON when operating and light-ON when not operating, by simply rotating the indicator holder by 180°. (However, Direct-wired Connector, Pre-wired Connector, Three-core, and Four-core Switches cannot be switched to light-ON when operating (NC wiring).)

Light-ON when Operating



Light-ON when Not Operating



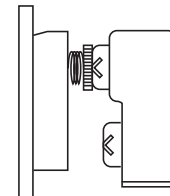
Indicator

The indicator is either a neon lamp or an LED. Switches with LED indicators have a built-in rectifier stack, so there is no connection polarity.

Contact Spring

The built-in switch's terminal screws are used to connect the indicator terminal. Since the connection spring (coil spring) is used for this connection, it will not be necessary to connect the indicator terminal. When a ground terminal is provided however, a lead wire must be used.

Lamp Holder



Light-ON when Not Operating

Operation

WL□-LE-N WL□-LD-N WL□-LW-N	Light-ON when operating *1	
	Light-ON when not operating *2	

Internal Circuits

WL□-LE-N	
WL□-LD-N WL□-LW-N	

**Note:** Leakage current from indicator circuit may cause load malfunction (i.e., the load may remain ON). Make sure that the load operating current is higher than the leakage current.

For countermeasures, refer to technical support on your OMRON website.

- \*1. Light-ON when operating means that the lamp lights when the Limit Switch contacts (NC) release, or when the actuator rotates or is pushed down.
- \*2. Light-ON when not operating means the lamp remains lit when the actuator is free, or when the Limit Switch contacts (NO) close when the actuator rotates or is pushed down.

Operation indicator Switches

High-sensitivity and High-precision Switches

Indicator Covers

The indicator covered if outsert molded from diecast aluminum and has outstanding sealing properties.

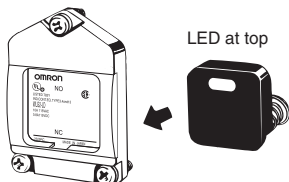
Indicator Windows

Operation (i.e., light-ON when operating or light-ON when not operating) depends on whether a neon lamp or LED is used.

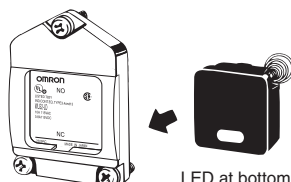
Light-ON when Operating/Not Operating

Indicators can be switched from light-ON when operating and light-ON when not operating, by simply rotating the indicator holder by 180°. (However, Direct-wired Connector, Pre-wired Connector, Three-core, and Four-core Switches cannot be switched to light-ON when operating (NC wiring).)

Light-ON when Operating



Light-ON when Not Operating

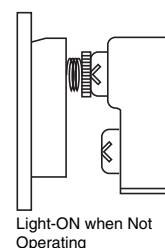


Indicator

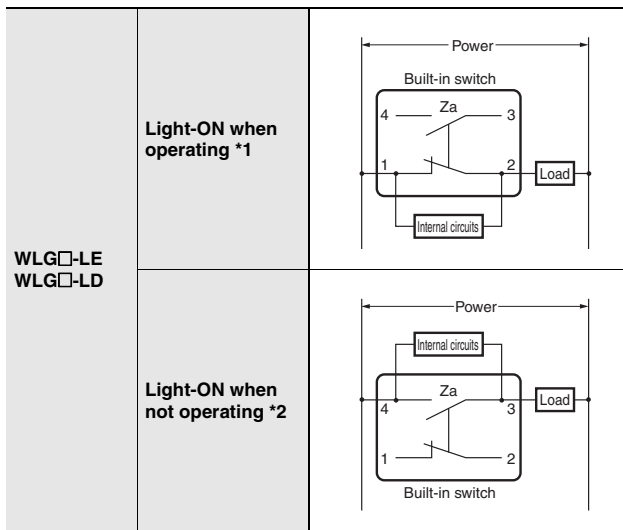
The indicator is either a neon lamp or an LED. Switches with LED indicators have a built-in rectifier stack, so there is no connection polarity.

Contact Spring

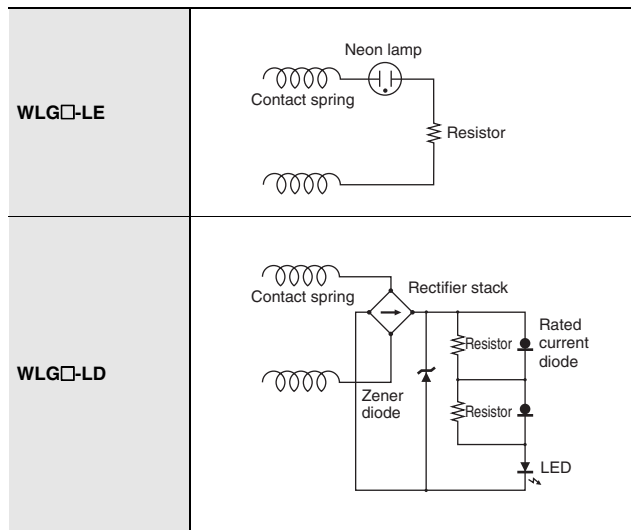
The built-in switch's terminal screws are used to connect the indicator terminal. Since the connection spring (coil spring) is used for this connection, it will not be necessary to connect the indicator terminal. When a ground terminal is provided however, a lead wire must be used.



Operation



Internal Circuits



**Note:** Leakage current from indicator circuit may cause load malfunction (i.e., the load may remain ON). Make sure that the load operating current is higher than the leakage current.

For countermeasures, refer to technical support on your OMRON website.

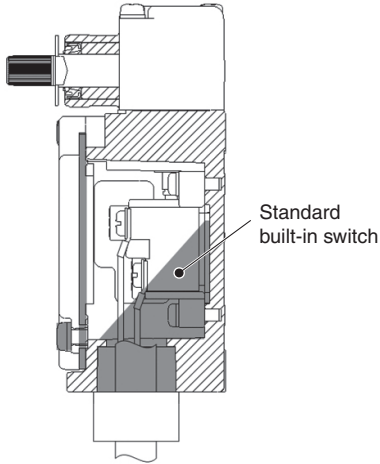
- \*1. Light-ON when operating means that the lamp lights when the Limit Switch contacts (NC) release, or when the actuator rotates or is pushed down.
- \*2. Light-ON when not operating means the lamp remains lit when the actuator is free, or when the Limit Switch contacts (NO) close when the actuator rotates or is pushed down.

Environment-resistant Switches

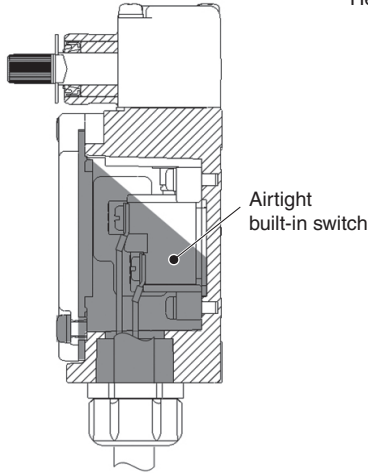
Basic Switches

Molding Specifications for Hermetic Switches  : Molded parts

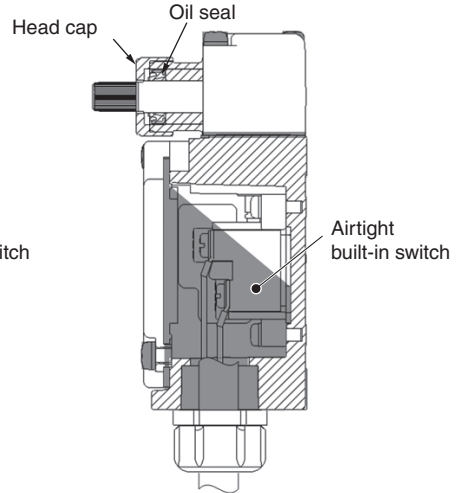
WL□-139-N



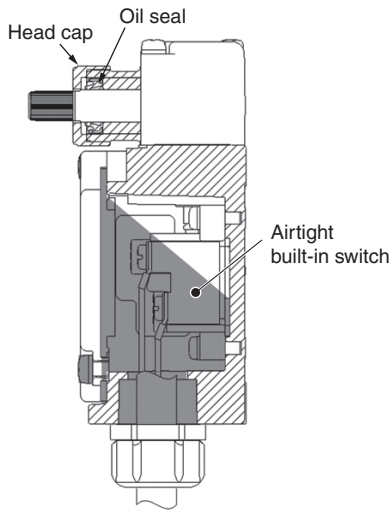
WL□-140-N



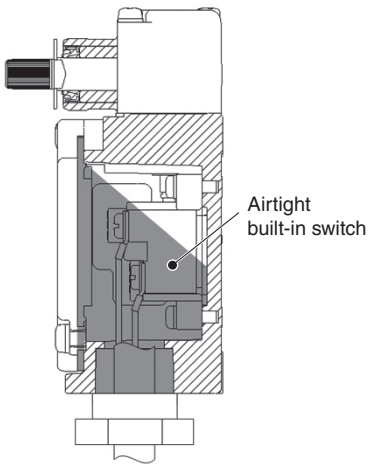
WL□-141-N



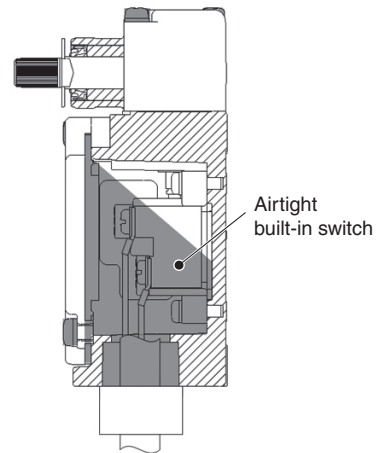
WL□-145-N



WL□-RP40-N



WL□-RP60-N \*1



\*1. Fluorine rubber is used for all rubber parts.

Model	Cable specifications	Connector specifications
WL□-139-N	Standard 5-m VCT cable. Finished outer diameter: 11.5 mm, 4 conductors.	Resin cap
WL□-140-N WL□-141-N WL□-145-N	Standard 5-m VCT cable, with high flexibility and good anti-oil properties attached. Finished outer diameter: 11.5 mm, 4 conductors.	Metal connector
WL□-RP40-N		Resin connector *2
WL□-RP60-N		Resin cap

\*2. The connector can be removed, so it is possible to use flexible conduit for the cable.



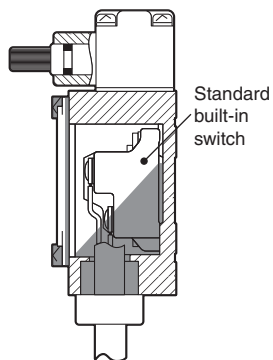
Environment-resistant Switches

High-sensitivity and High-precision Switches

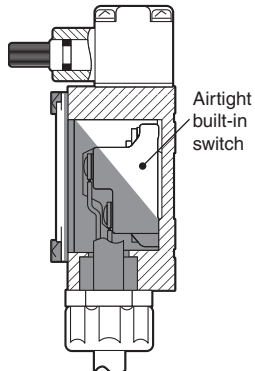
Mold Specifications for Hermetic Seal Switches

■ : Molded parts

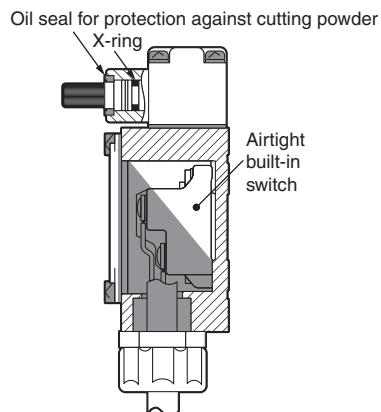
WLG□-139



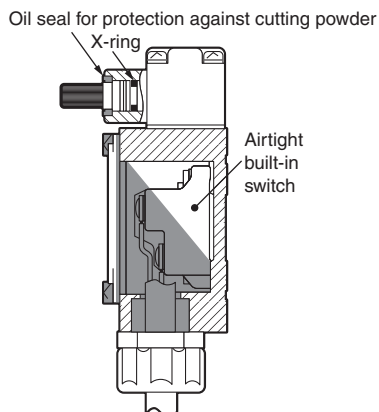
WLG□-140



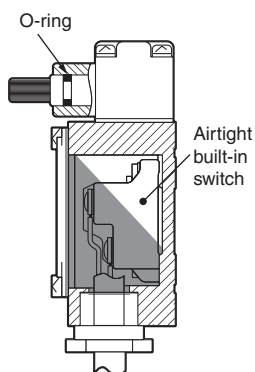
WLG□-141



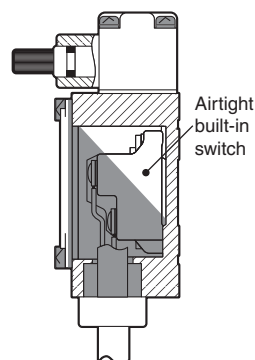
WLG□-145



WLG□-RP40



WLG□-RP60 \*1



\*1. Fluorine rubber is used for all rubber parts.

Model	Cable specifications	Connector specifications
WLG□-139	Standard 5-m VCT cable. Finished outer diameter: 11.5 mm, 4 conductors.	Resin cap
WLG□-140 WLG□-141 WLG□-145	Standard 5-m VCT cable, with high flexibility and good anti-oil properties attached. Finished outer diameter: 11.5 mm, 4 conductors.	Metal connector
WLG□-RP40		Resin connector *2
WLG□-RP60		Resin cap

\*2. The connector can be removed, so it is possible to use flexible conduit for the cable.

**Spatter-prevention Switches: WLCA2-LES-N**

**Basic Switches**

**Actuator**

**Roller, Roller Axis**

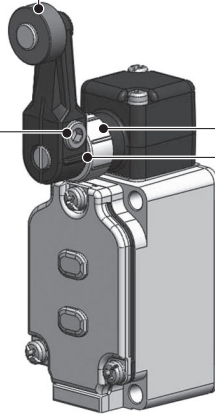
Using stainless steel prevents spatter from adhering.

**Operating Lever**

A baking finish is applied to the surface so that any adhering spatter is easily removed.

**Roller Lever Bolt**

Stainless steel construction to prevent spatter adherence.  
Double nut models are also available.



**Screws**

Externally visible screws on the head and cover are made of stainless steel to prevent spatter adherence.

**Head Cap**

Using fluororesin prevents spatter from adhering.

\* Spatter means the zinc powder produced when welding.  
Adhering spatter to the Limit Switch may cause malfunction of lever or lamp cover.

The lack of gap prevents spatter powder from clogging.

**Spatter-prevention Switches: WLG2-LEAS**

**High-sensitivity and High-precision Switches**

**Actuator**

**Roller, Roller Axis**

Using stainless steel prevents spatter from adhering.

**Operating Lever**

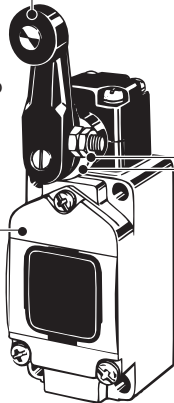
A baking finish is applied to the surface so that any adhering spatter is easily removed.

**Double Nut**

SUS is used for double nut.

**Lamp Cover**

- Heat-resistant resin is used for the lamp cover.
- By using spherical surface for the display part, it disperses the direction of spatter.



**Screws**

Externally visible screws on the head and cover are made of stainless steel to prevent spatter adherence.

**Head Cap**

Using fluororesin prevents spatter from adhering.

\* Spatter means the zinc powder produced when welding.  
Adhering spatter to the Limit Switch may cause malfunction of lever or lamp cover.

The lack of gap prevents spatter powder from clogging.

**Long-life Switches: WLMCA2-N**

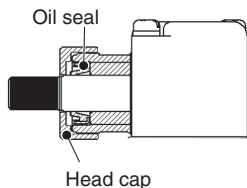
**Basic Switches**

**Head**

You can remove the two screws to mount the head in any of the four possible directions.

**Shield Structure**

A head cap and oil seal form a double-seal structure. Excellent durability and reliability are ensured.



**Head Cap**

The head cap helps prevent the entry of cutting chips. You can use the protrusion on the cap to confirm the set position.

**Actuator**

**Roller**

The roller is made of self-lubricating sintered stainless steel. It provides superior resistance to wear.

**Lever**

The lever is forged from anti-corrosive aluminum alloy. It provides superior corrosion resistance and outstanding strength. With a roller lever actuator, the actuator position can be set anywhere within 360°. (The lever cannot be mounted in the opposite direction.)

**Operating Plunger**

PEEK resin is used. It provides superior resistance to wear. You can change the mounting direction to use any one of the three operating directions (both sides, left side, or right side).

**Built-in Switch**

Built-in switch with an SPST-NO+NC contact form.

**Terminal Screws**

Four, M3.5 screws.

**Cover Seal**

High sealing performance is achieved. The seal also serves as a spacer. There is no troublesome insulating paper, making it easy to work with the Switch.

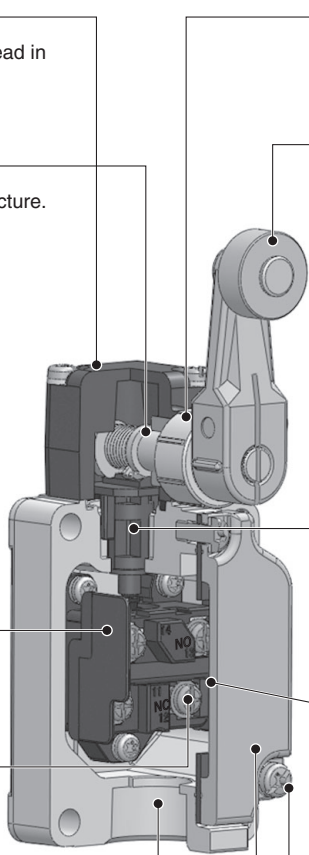
**Cover Setscrew**

A combination Philips-slotted screw is used. A retainer prevents the screw from falling from the cover even when the screw is loose.

**Conduit Opening**

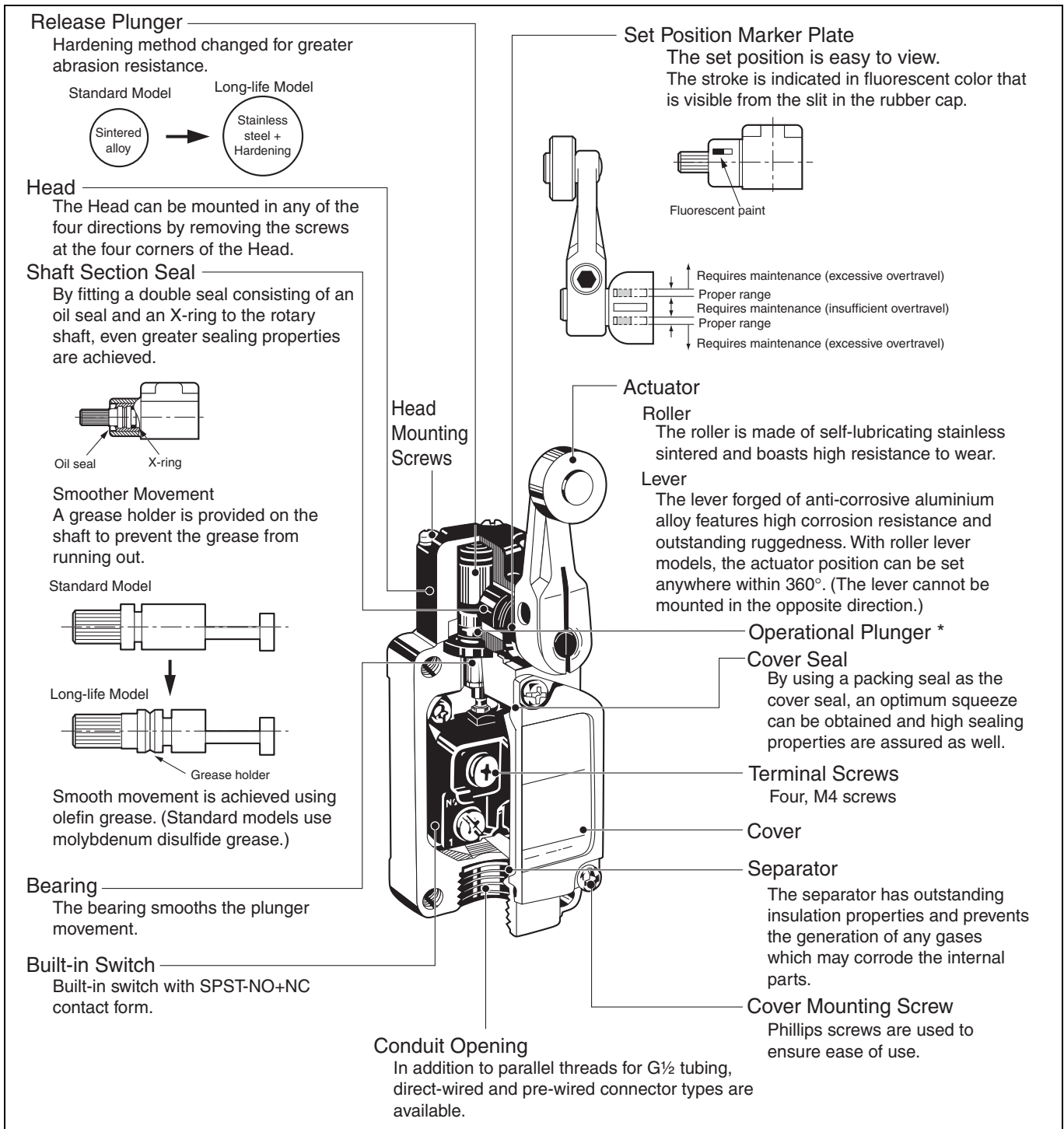
In addition to parallel threads for G1/2 tubing, direct-wired and pre-wired connector types are available.

**Cover**



**Long-life Switches: WLMG2**

**High-sensitivity/High-precision Switches**



# Dimensions and Operating Characteristics

(Unit: mm)

## General-purpose and Environment-resistant Switches

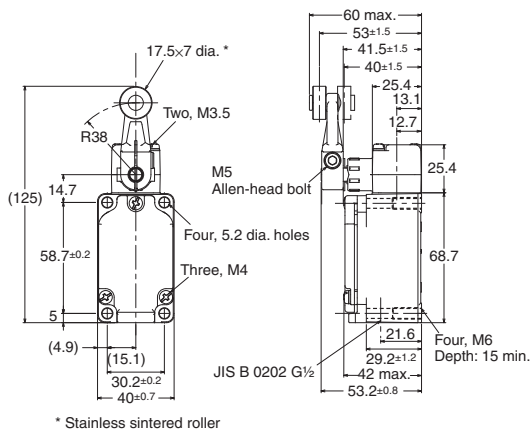
### Standard Switches

#### Switches with Roller Lever Actuators

##### Basic Switches

##### Roller lever R38

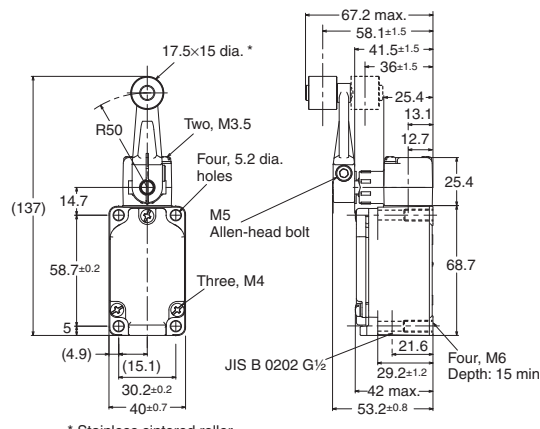
WLCA2-N  
WLCA2-2-N  
WLCA2-2N-N



\* Stainless sintered roller

##### Roller lever R50

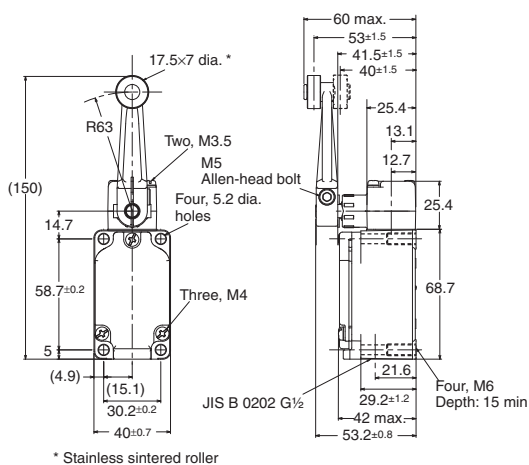
WLCA2-7-N



\* Stainless sintered roller

##### Roller lever R63

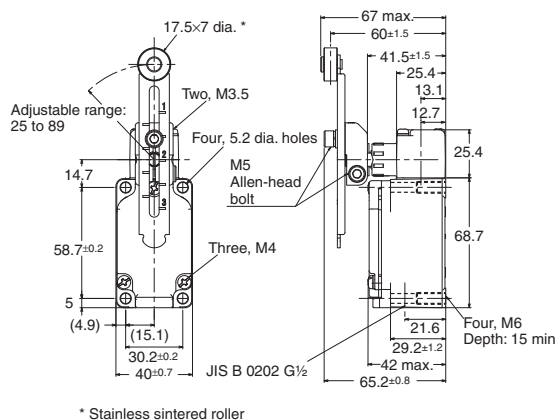
WLCA2-8-N



\* Stainless sintered roller

##### Adjustable roller lever

WLCA12-N  
WLCA12-2-N  
WLCA12-2N-N



\* Stainless sintered roller

**Note:** Unless otherwise indicated, a tolerance of  $\pm 0.4$  mm applies to all dimensions.

Operating characteristics		Model	WLCA2-N	WLCA2-2-N	WLCA2-2N-N	WLCA2-7-N	WLCA2-8-N
Operating force	OF	max.	13.34 N	13.34 N	13.34 N	10.2 N	8.04 N
Release force	RF	min.	1.18 N	1.18 N	1.18 N	0.9 N	0.71 N
Pretravel	PT		15±5°	25±5°	20° max.	15±5°	15±5°
Overtravel	OT	min.	70°	60°	70°	70°	70°
Movement Differential	MD	max.	12°	16°	10°	12°	12°

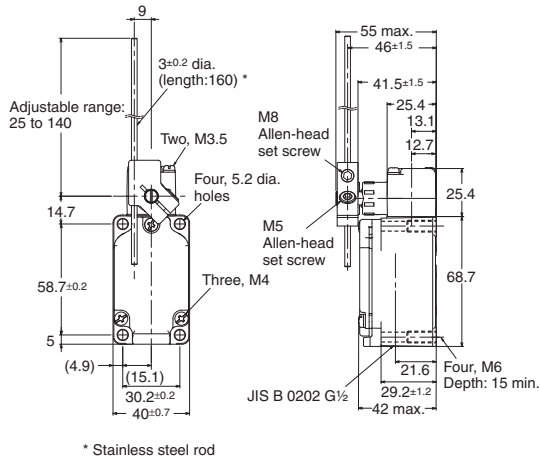
Operating characteristics		Model	WLCA12-N *1	WLCA12-2-N *1	WLCA12-2N-N *1
Operating force	OF	max.	13.34 N	13.34 N	13.34 N
Release force	RF	min.	1.18 N	1.18 N	1.18 N
Pretravel	PT		15±5°	25±5°	20° max
Overtravel	OT	min.	70°	60°	70°
Movement Differential	MD	max.	12°	16°	10°

\* The operating characteristics are measured at the lever length of 38 mm.

## Switches with Roller Lever Actuators Basic Switches

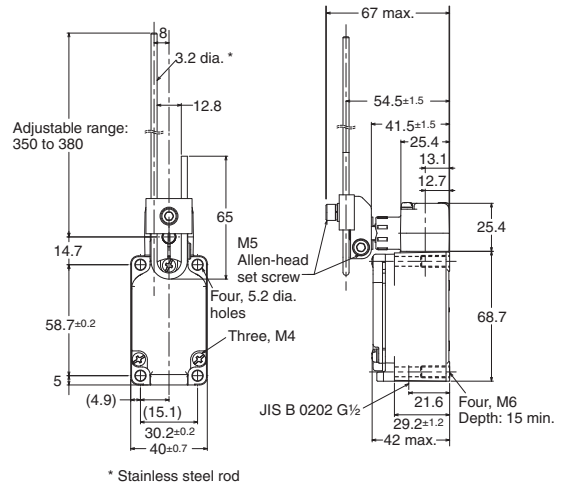
### Adjustable rod lever 25 to 140 mm

WLCL-N  
WLCL-2-N  
WLCL-2N-N



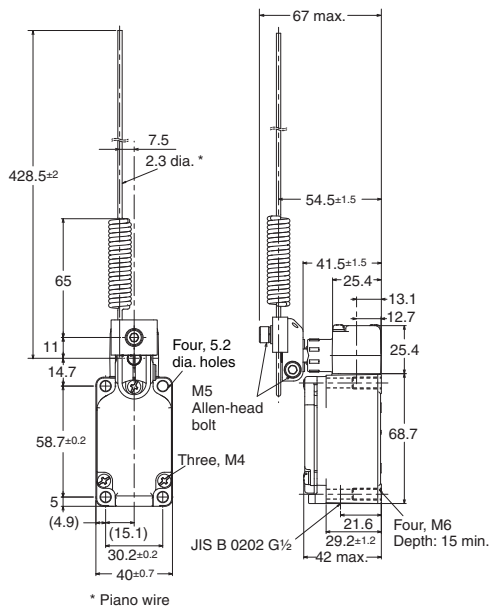
### Adjustable rod lever

WLCAL4-N



### Rod spring lever

WLCAL5-N



**Note:** Unless otherwise indicated, a tolerance of  $\pm 0.4$  mm applies to all dimensions.

Operating characteristics		Model	WLCL-N *1	WLCL-2-N *1	WLCL-2N-N *1	WLCAL4-N *2	WLCAL5-N
Operating force	OF	max.	1.39 N	1.39 N	1.39 N	0.98 N	0.9 N
Release force	RF	min.	0.27 N	0.27 N	0.27 N	0.15 N	0.09 N
Pretravel	PT		15 $\pm$ 5°	25 $\pm$ 5°	20° max	15 $\pm$ 5°	15 $\pm$ 5°
Overtravel	OT	min.	70°	60°	70°	70°	70°
Movement Differential	MD	max.	12°	16°	10°	12°	12°

**Note:** The actuator on the WLCAL4-N and WLCAL5-N is heavy, which may result in resetting problems depending on the direction the Switch is mounted. Mount the Switch so that the actuator is facing downwards to prevent this problem from occurring.

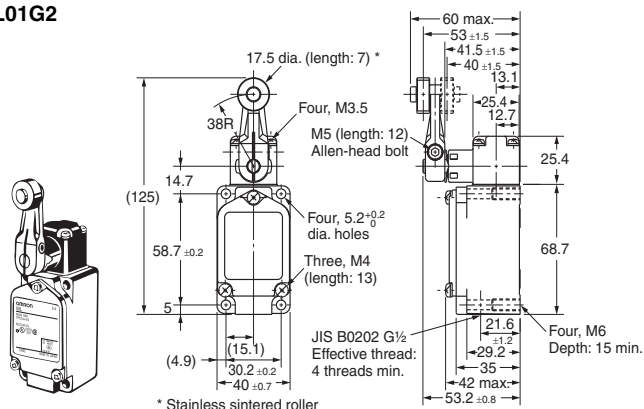
\*1. The operating characteristics are measured at the lever length of 140 mm.

\*2. The operating characteristics are measured at a rod length of 380 mm.

**Switches with Roller Lever Actuators**  
**High-sensitivity Switches**

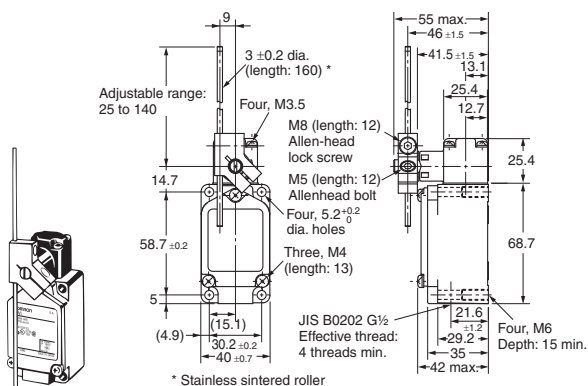
**Roller lever R38**

WLG2  
 WL01G2



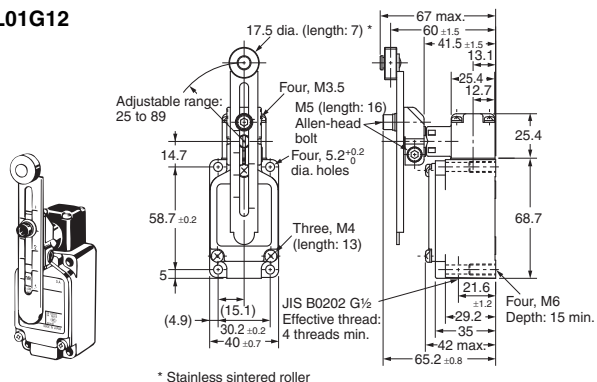
**Adjustable rod lever 25 to 140 mm**

WLGL  
 WL01GL



**Adjustable Roller Lever R38**

WLG12  
 WL01G12

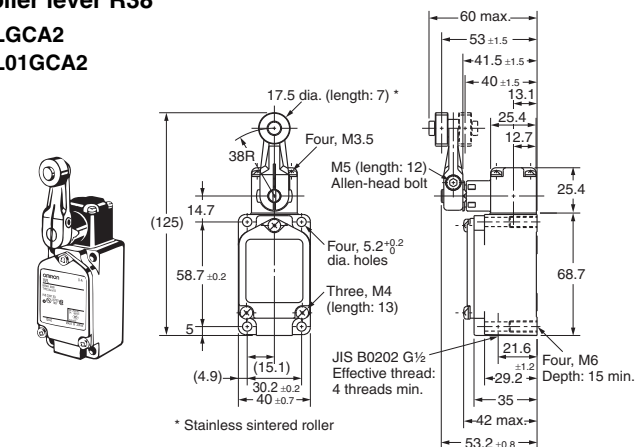


**Note: 1.** Unless otherwise indicated, a tolerance of  $\pm 0.4$  mm applies to all dimensions.

**Switches with High-precision Actuators**

**Roller lever R38**

WLGCA2  
 WL01GCA2



**Note: 1.** Unless otherwise indicated, a tolerance of  $\pm 0.4$  mm applies to all dimensions.

Model		WLG2 WL01G2	WLG12 *1 WL01G12 *1	WLGL *2 WL01GL *2	WLGCA2 WL01GCA2
<b>Operating characteristics</b>					
Operating force	OF max.	9.81 N	9.81 N	2.84 N	13.34 N
Release force	RF min.	0.98 N	0.98 N	0.25 N	1.47 N
Pretravel	PT	10°	10°	10°	5°
Overtravel	OT min.	65°	65°	65°	40°
Movement Differential	MD max.	7°	7°	7°	3°

\*1. The operating characteristics are measured at the lever length of 38 mm.

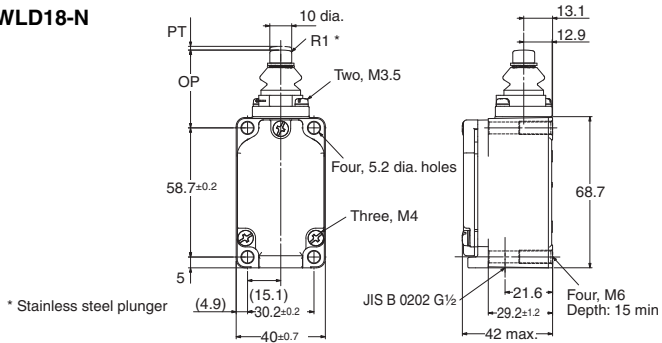
\*2. The operating characteristics are measured at a rod length of 140 mm.

## Switches with Plunger Actuators

### Basic Switches

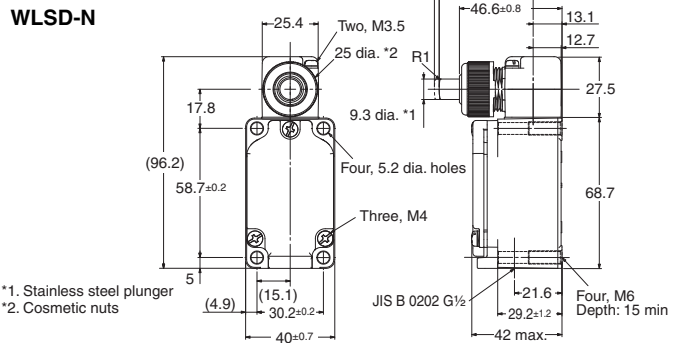
#### Sealed top plunger

WLD18-N



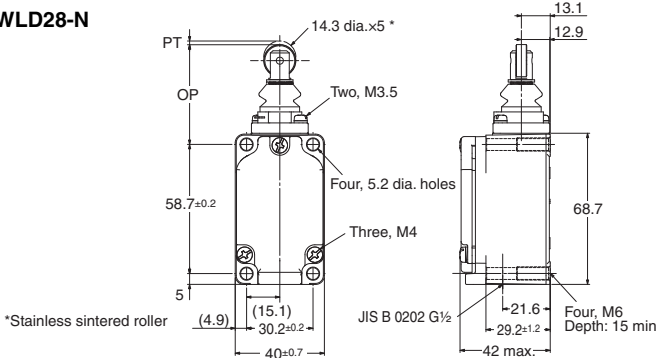
#### Horizontal plunger

WLS-D-N



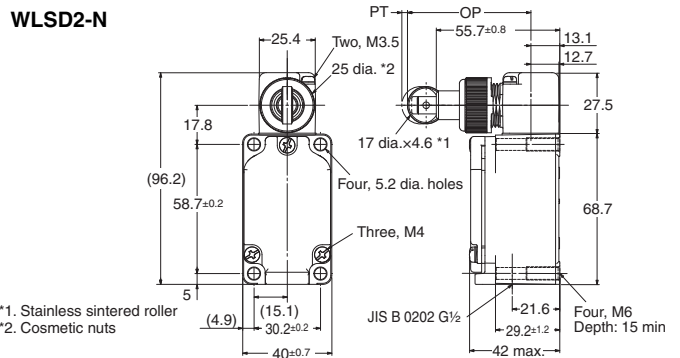
#### Sealed top-roller plunger

WLD28-N



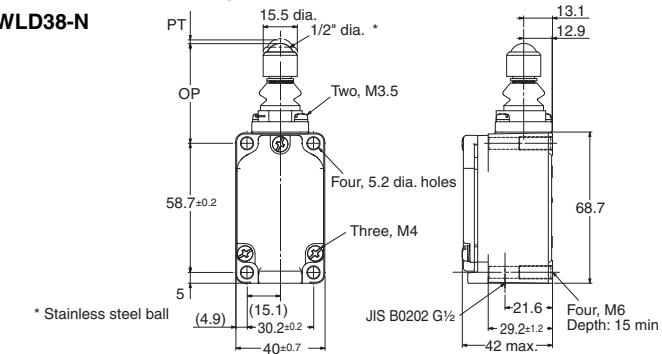
#### Horizontal-roller plunger

WLS-D2-N



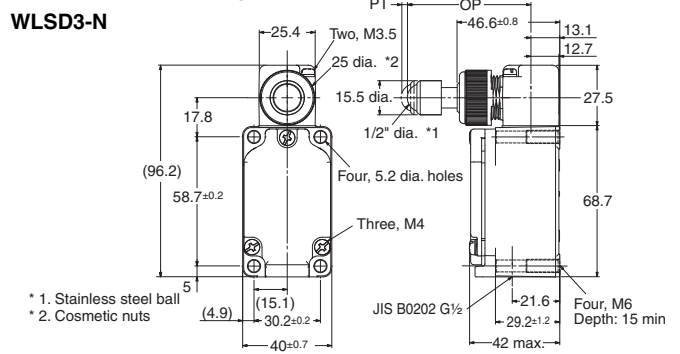
#### Sealed top-ball plunger

WLD38-N



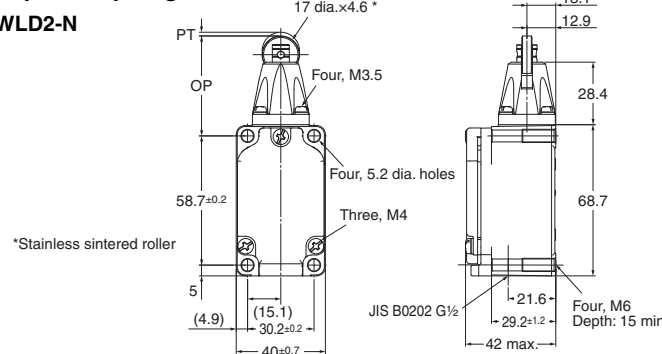
#### Horizontal-ball plunger

WLS-D3-N



#### Top-roller plunger

WLD2-N



**Note:** Unless otherwise indicated, a tolerance of  $\pm 0.4$  mm applies to all dimensions.

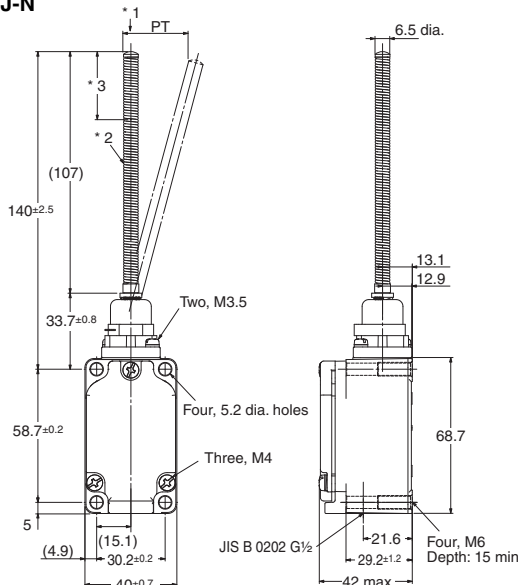
Model		WLD18-N	WLD28-N	WLD38-N	WLD2-N	WLS-D-N	WLS-D2-N	WLS-D3-N
<b>Operating characteristics</b>								
Operating force	OF max.	26.67 N	16.67 N	16.67 N	26.67 N	40.03 N	40.03 N	40.03 N
Release force	RF min.	8.92 N	4.41 N	4.41 N	8.92 N	8.89 N	8.89 N	8.89 N
Pretravel	PT max.	1.7 mm	1.7 mm	1.7 mm	1.7 mm	2.8 mm	2.8 mm	2.8 mm
Overtravel	OT min.	6.4 mm	5.6 mm	5.6 mm	5.6 mm	5.6 mm	5.6 mm	4 mm
Movement Differential	MD max.	1 mm	1 mm	1 mm	1 mm	1 mm	1 mm	1 mm
Operating position	OP	34±0.8 mm	44±0.8 mm	44.5±0.8 mm	44±0.8 mm	40.6±0.8 mm	54.2±0.8 mm	54.1±0.8 mm
Total travel position	TTP max.	29.5 mm	39.5 mm	41 mm	39.5 mm	---	---	---



**Switches with Flexible Rod Actuators**  
**Basic Switches**

**Coil spring**

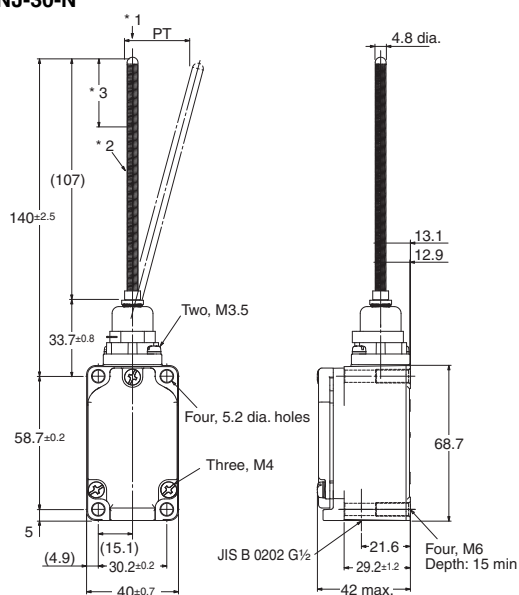
WLNJ-N



- \*1. Do not operate the Switch in the direction of the axial center.
- \*2. Stainless steel coil spring.
- \*3. The range for operation is 1/3rd of the overall spring length from the end of the spring.

**Coil Spring (Multi-wire)**

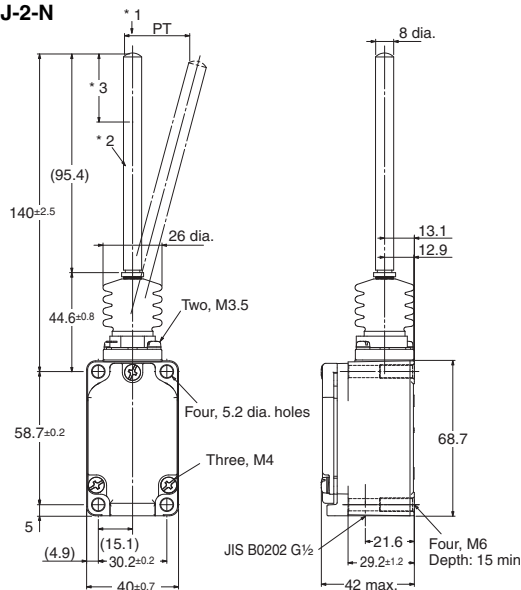
WLNJ-30-N



- \*1. Do not operate the Switch in the direction of the axial center.
- \*2. Piano wire coil spring.
- \*3. The range for operation is 1/3rd of the overall spring length from the end of the spring.

**Resin rod**

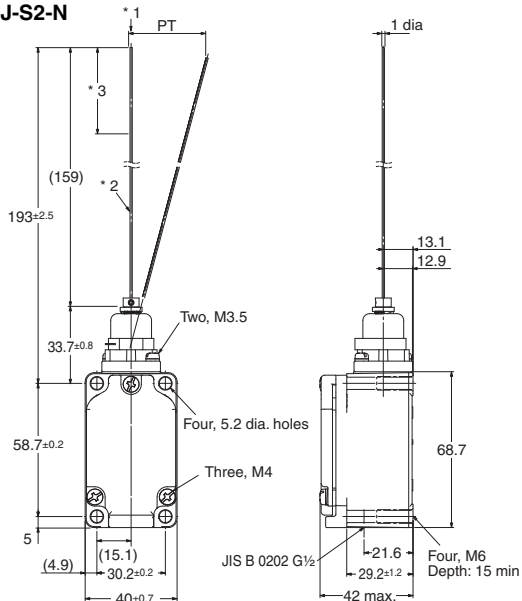
WLNJ-2-N



- \*1. Do not operate the Switch in the direction of the axial center.
- \*2. Polyamide Resin Rod
- \*3. The range for operation is 1/3rd of the overall rod length from the end of the rod.

**Steel wire**

WLNJ-S2-N



- \*1. Do not operate the Switch in the direction of the axial center.
- \*2. Stainless steel wire.
- \*3. The range for operation is 1/3rd of the overall wire length from the end of the wire.

**Note:** Unless otherwise indicated, a tolerance of  $\pm 0.4$  mm applies to all dimensions.

Operating characteristics		Model	WLNJ-N	WLNJ-30-N	WLNJ-2-N	WLNJ-S2-N
Operating force	OF		1.47 N	1.47 N	1.47 N	0.28 N
	Pretravel	PT	20±10 mm	20±10 mm	40±20 mm	40±20 mm

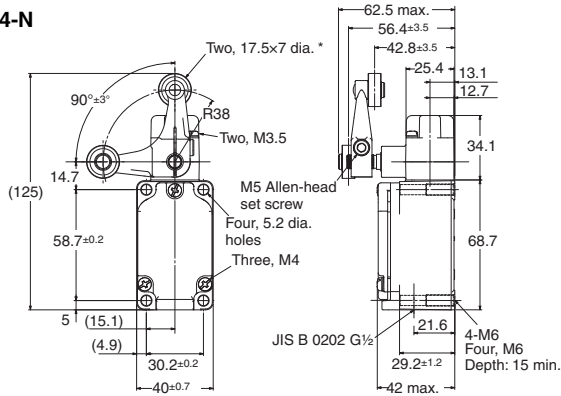
\* These values are for the top end of the spring, rod, or wire.

**Switches with Fork Lock Lever Actuators**  
Retention Switches

**General-purpose**

- WLCA32-41-N
- WLCA32-42-N
- WLCA32-43-N
- WLCA32-44-N

The WLCA32-41-N is shown in the following diagram.



\* Plastic Roller  
(The WLCA32-041-N to WLCA32-044-N have stainless steel rollers.)

**Note:** 1. Unless otherwise indicated, a tolerance of ±0.4 mm applies to all dimensions.

Operating characteristics	Model	WLCA32-41 to 44-N
Force necessary to reverse the direction of the lever	max.	11.77N
Movement until the lever reverses		50±5°
Movement until switch operation	max.	55°
Movement after switch operation	min.	35°

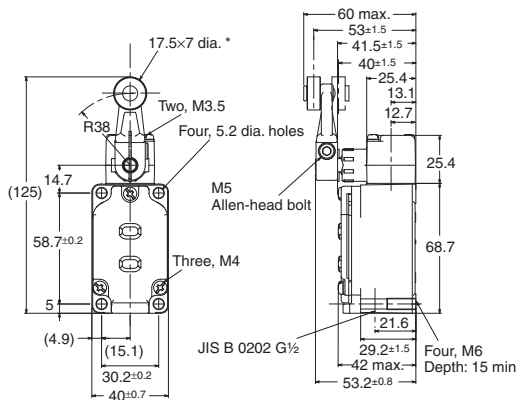
**Operation indicator Switches**

**Switches with Roller Lever Actuators**  
Basic Switches

**Roller lever R38**

**General-purpose Models**

- WLCA2-LD-N
- WLCA2-LE-N



\* Stainless sintered roller

**Note:** Unless otherwise indicated, a tolerance of ±0.4 mm applies to all dimensions.

Operating characteristics	Basic models	
Operating force	OF max.	13.34 N
Release force	RF min.	1.18 N
Pretravel	PT	15±5°
Overtravel	OT min.	70°
Movement Differential	MD max.	12°

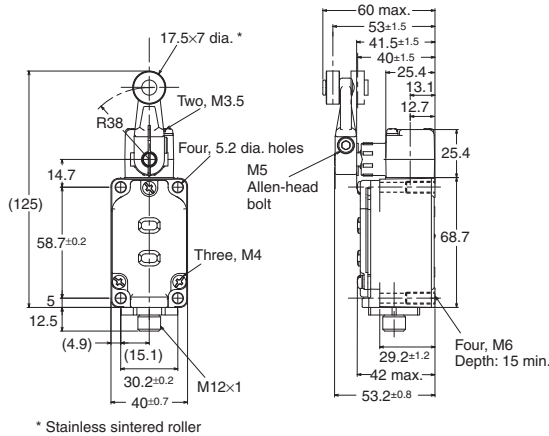
**Sensor I/O Connector Switches**

(For details about applicable cables, refer to *Connecting Sensor I/O Connectors Cable and Socket* on page 22.)

**Switches with Roller Lever Actuators**  
**Basic Switches**

**Roller lever R38**

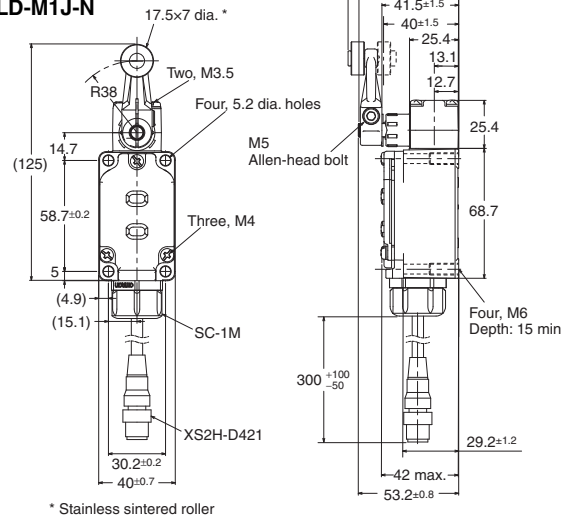
**Direct-wire Connector type**  
**WLCA2-LDK13-N**



\* Stainless sintered roller

**Roller lever R38**

**Pre-wired Connector type**  
**WLCA2-LD-M1J-N**



\* Stainless sintered roller

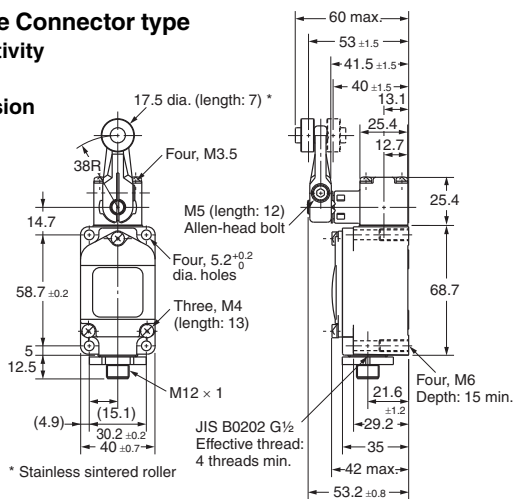
**Note:** 1. Unless otherwise indicated, a tolerance of  $\pm 0.4$  mm applies to all dimensions.  
2. The models with operation indicators are shown in the above diagrams.

Operating characteristics		Basic models
Operating force	OF max.	13.34 N
Release force	RF min.	1.18 N
Pretravel	PT	$15 \pm 5^\circ$
Overtravel	OT min.	$70^\circ$
Movement Differential	MD max.	$12^\circ$

**High-sensitivity and High-precision Switches**

**Roller lever R38**

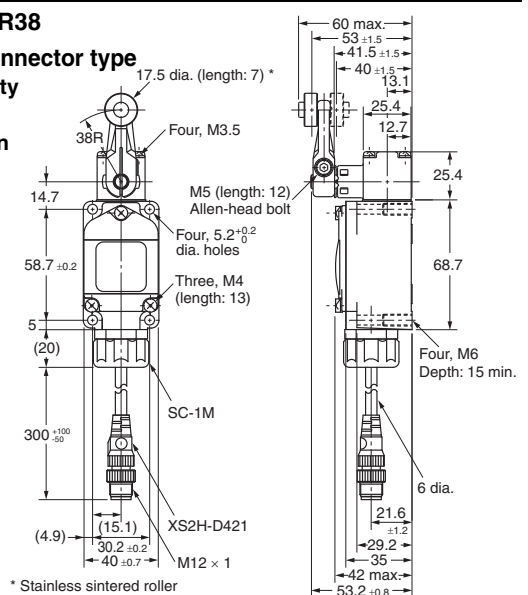
**Direct-wire Connector type**  
**High-sensitivity**  
**WLG2**  
**High-precision**  
**WLGCA2**



\* Stainless sintered roller

**Roller lever R38**

**Pre-wired Connector type**  
**High-sensitivity**  
**WLG2**  
**High-precision**  
**WLGCA2**



\* Stainless sintered roller

**Note:** Unless otherwise indicated, a tolerance of  $\pm 0.4$  mm applies to all dimensions.

Operating characteristics		High-sensitivity	High-precision Models
Operating force	OF max.	9.81 N	13.34 N
Release force	RF min.	0.98 N	1.47 N
Pretravel	PT	$10^\circ \pm 5^\circ$	$5^\circ \pm 6^\circ$
Overtravel	OT min.	$65^\circ$	$40^\circ$
Movement Differential	MD max.	$7^\circ$	$3^\circ$

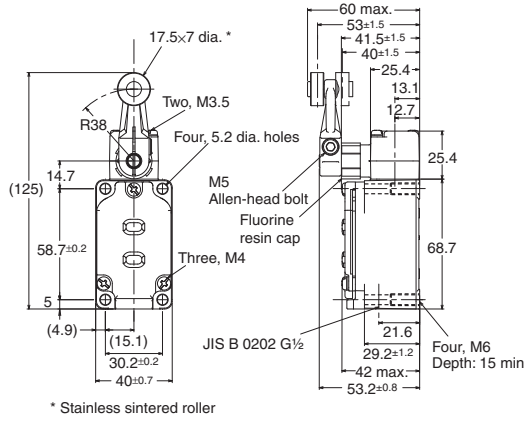
**Spatter-prevention Switches**

**Switches with Roller Lever Actuators**

**Basic Switches**

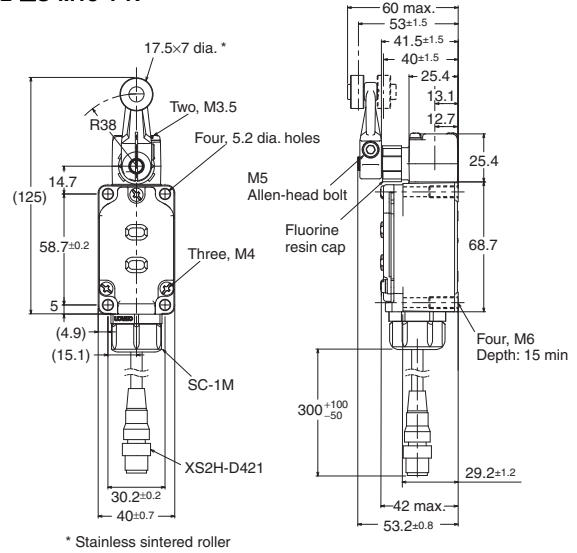
**Roller lever R38**

**Screw terminal type  
WLCA2-□S-N**



**Roller lever R38**

**Pre-wired Connector type  
WLCA2-□S-M1J-1-N**

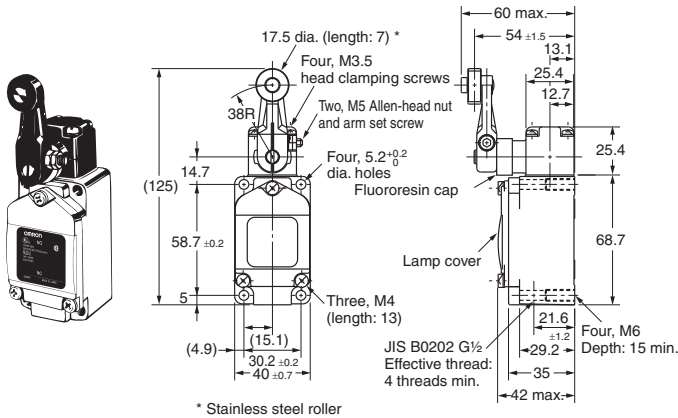


**Note:** 1. Unless otherwise indicated, a tolerance of ±0.4 mm applies to all dimensions.  
2. The models with operation indicators are shown in the above diagrams.

**High-sensitivity/High-precision Switches**

**Roller lever R38**

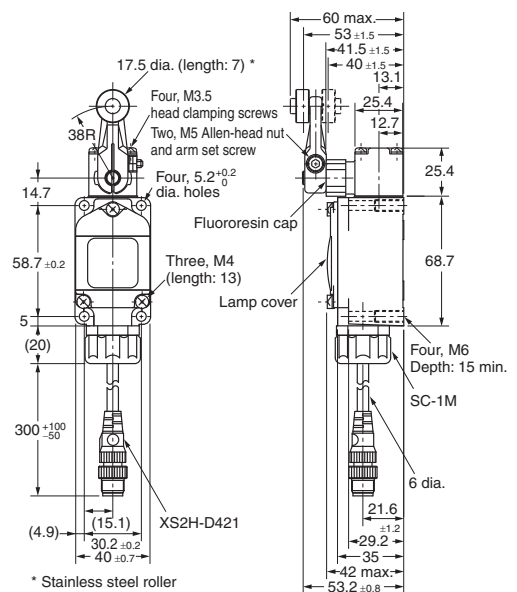
**Screw terminal type  
WLGA2-□S  
WLCA2-□S**



**Roller lever R38**

**Pre-wired Connector type  
WLG2-□S-M1J \*  
WLGA2-□S-M1J \***

\* External dimensions are the same even for different core wires.



**Note:** Unless otherwise indicated, a tolerance of ±0.4 mm applies to all dimensions.

Operating characteristics		Basic models	High-sensitivity	High-precision Models
Operating force	OF max.	13.34 N	9.81 N	13.34 N
Release force	RF min.	1.18 N	0.98 N	1.47 N
Pretravel	PT	15±5°	10 <sup>°</sup> <sub>-1°</sub> <sup>+2°</sup>	5 <sup>°</sup> <sub>0°</sub> <sup>+2°</sup>
Overtravel	OT min.	70°	65°	40°
Movement Differential	MD max.	12°	7°	3°

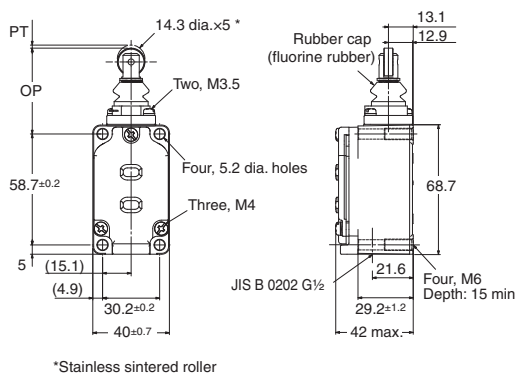
**Switches with Plunger Actuators**

**Basic Switches**

**Sealed top-roller plunger**

**Screw terminal type**

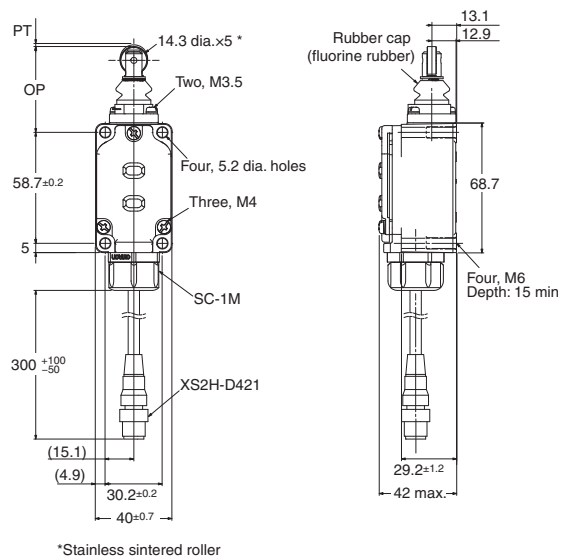
WLD28-□S-N



**Sealed top-roller plunger**

**Pre-wired Connector type**

WLD28-□S-M1J-1-N



**Note:** 1. Unless otherwise indicated, a tolerance of  $\pm 0.4$  mm applies to all dimensions.  
 2. The models with operation indicators are shown in the above diagrams.

Operating characteristics		Basic models
Operating force	OF max.	16.67 N
Release force	RF min.	4.41 N
Pretravel	PT	1.7 mm max.
Overtravel	OT min.	5.6 mm
Movement Differential	MD max.	1 mm
Operating force	OF max.	44±0.8 mm
Pretravel	PT	39.5 mm

**Long-life Switches**

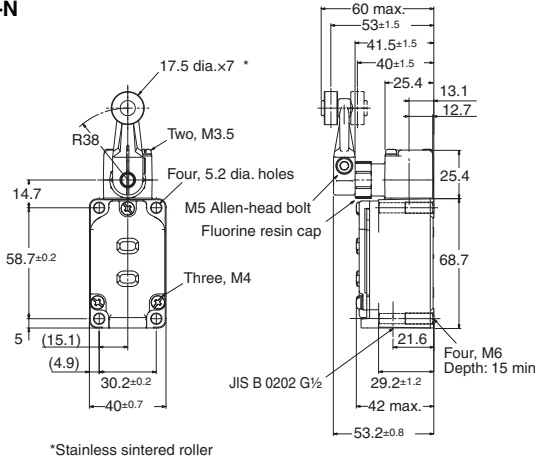
**Switches with Roller Lever Actuators**

**Basic Switches**

**Roller lever R38**

**Screw terminal type**

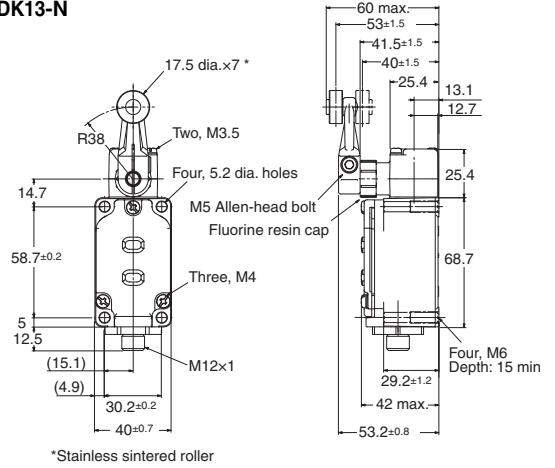
**WLMCA2-LD-N**



**Roller lever R38**

**Direct-wire Connector type**

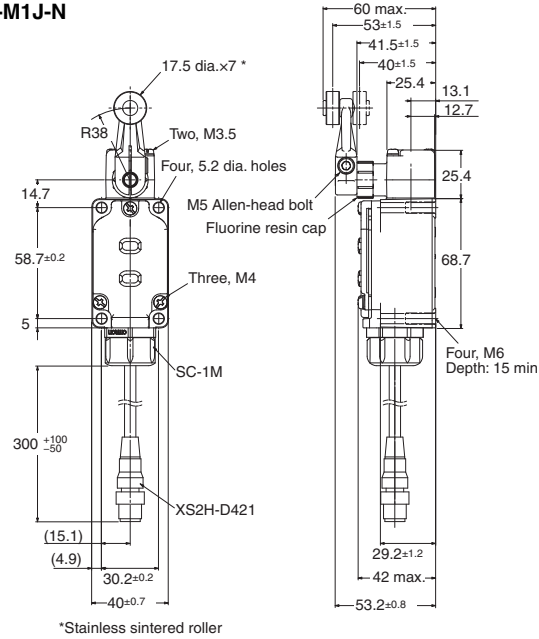
**WLMCA2-LDK13-N**



**Roller lever R38**

**Pre-wired Connector type**

**WLMCA2-LD-M1J-N**



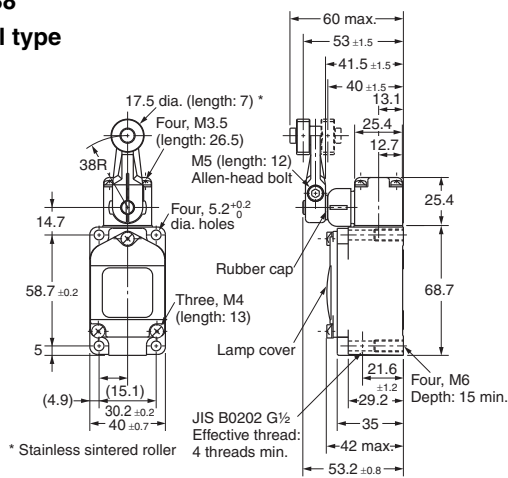
**Note:** 1. Unless otherwise indicated, a tolerance of  $\pm 0.4$  mm applies to all dimensions.  
 2. The models with operation indicators are shown in the above diagrams.

Operating characteristics		Basic models
Operating force	OF max.	13.34 N
Release force	RF min.	1.18 N
Pretravel	PT	15 $\pm$ 5°
Overtravel	OT min.	70°
Movement Differential	MD max.	12°

**Switches with Roller Lever Actuators**  
**High-sensitivity and High-precision Switches**

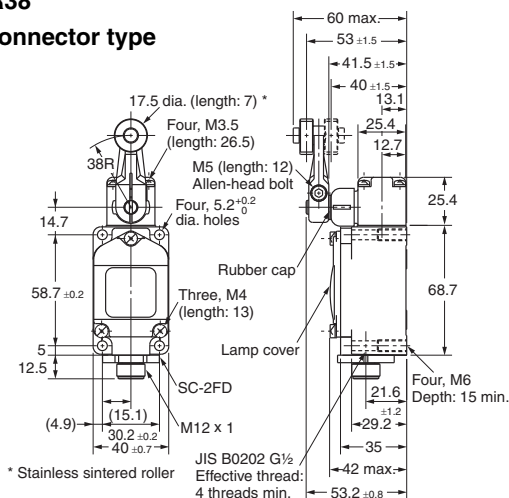
**Roller lever R38**

**Screw terminal type**  
**WLMG□-LD**



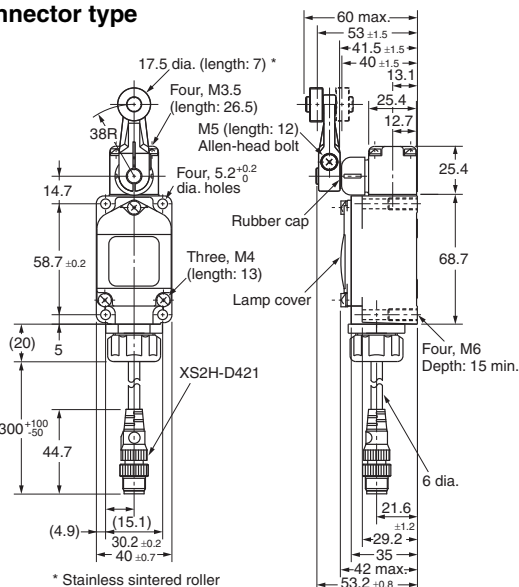
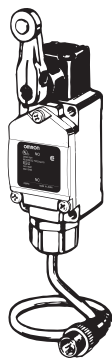
**Roller lever R38**

**Direct-wire Connector type**  
**WLMG□-LD□**



**Roller lever R38**

**Pre-wired Connector type**  
**WLMG□-LD□**



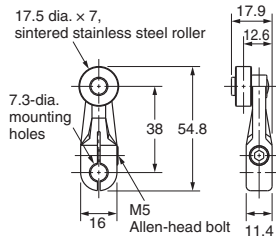
**Note:** Unless otherwise indicated, a tolerance of ±0.4 mm applies to all dimensions.

Operating characteristics		High-sensitivity	High-precision Models
Operating force	OF max.	9.81 N	13.34 N
Release force	RF min.	0.98 N	1.47 N
Pretravel	PT	10° <sup>+2</sup> <sub>-1</sub>	5° <sup>+2</sup> <sub>-1</sub>
Overtravel	OT min.	65°	40°
Movement Differential	MD max.	7°	3°

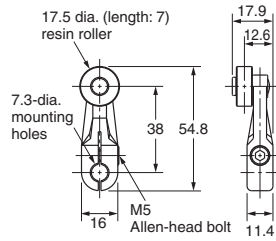
## Actuators (Levers Only)

Lever: Only rotating lever models are illustrated.

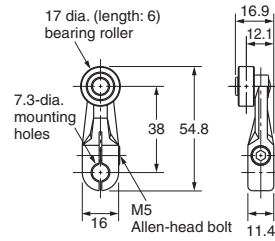
**WL-1A100**  
Standard Lever



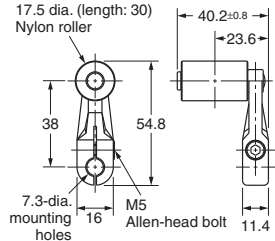
**WL-1A115**  
Resin Roller



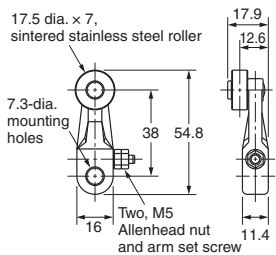
**WL-1A400**  
Bearing Roller



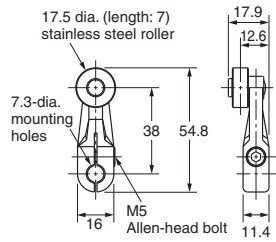
**WL-1A118**  
Nylon Roller:  
Roller Width: 30 mm



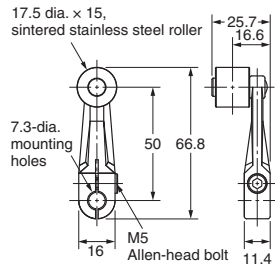
**WL-1A105**  
Double Nuts



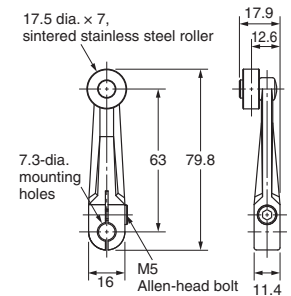
**WL-1A103S**  
Spatter Prevention



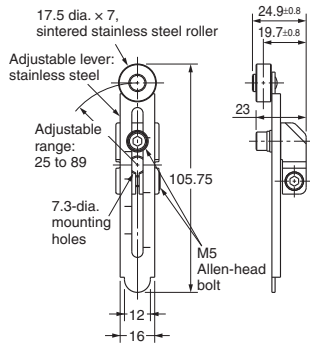
**WL-1A200**  
Lever Length: 50  
Roller Width: 15



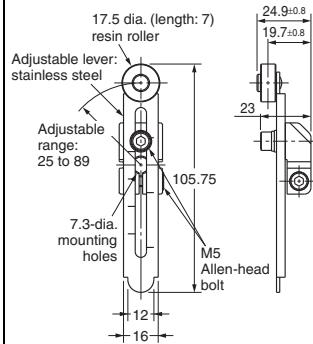
**WL-1A300**  
Lever Length: 63



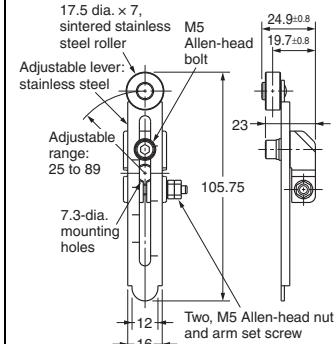
**WL-2A100**



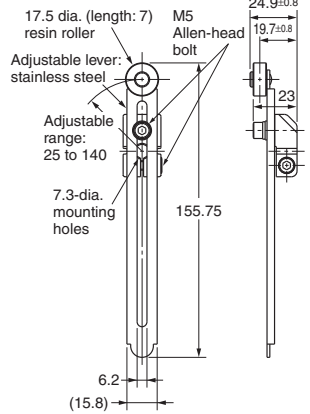
**WL-2A111**  
Resin Roller



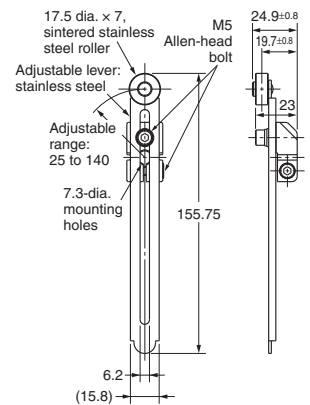
**WL-2A107**  
Double Nuts



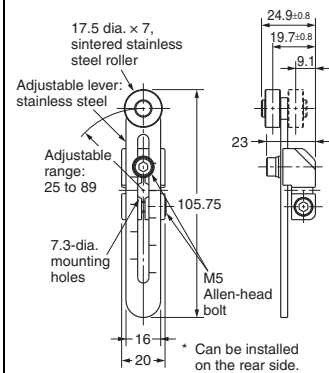
**WL-2A108**  
Resin Roller



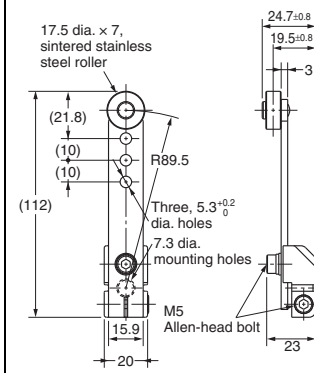
**WL-2A122**



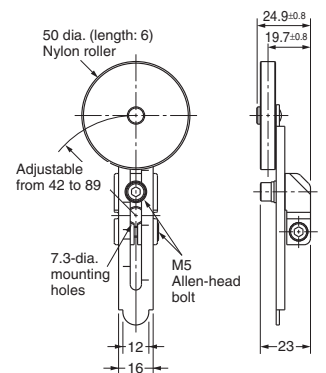
**WL-2A106**



**WL-2A130**



**WL-2A104**

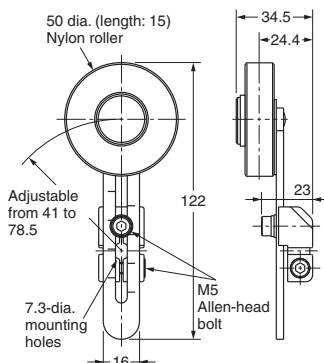


Note: Unless otherwise indicated, a tolerance of  $\pm 0.4$  mm applies to all dimensions.

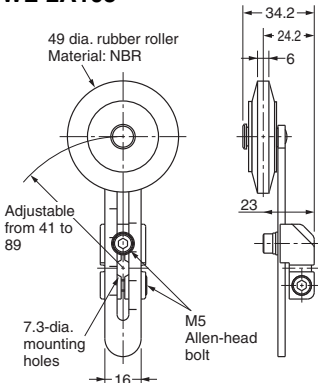


Lever: Only rotating lever models are illustrated.

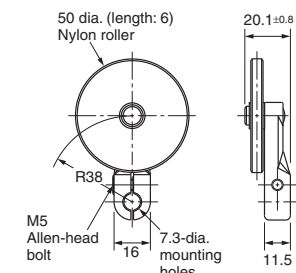
WL-2A110



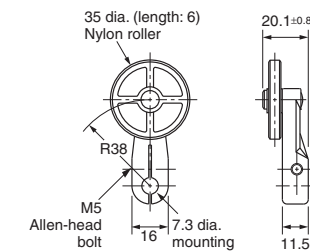
WL-2A105



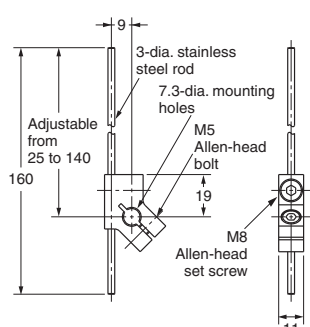
WL-1A106



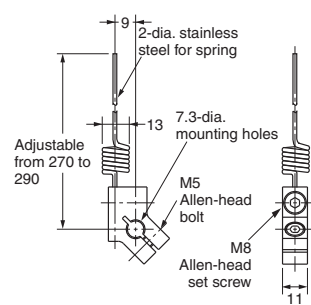
WL-1A110



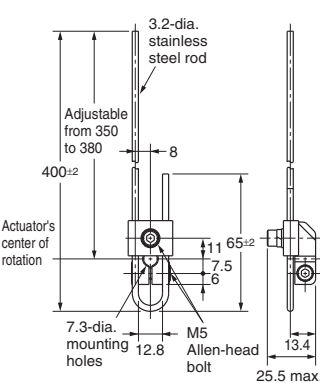
WL-4A100



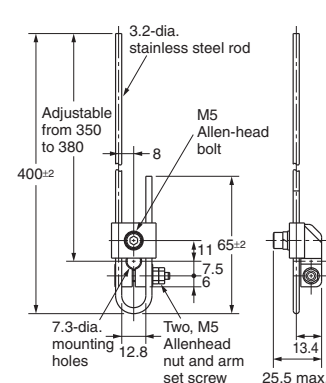
WL-4A201



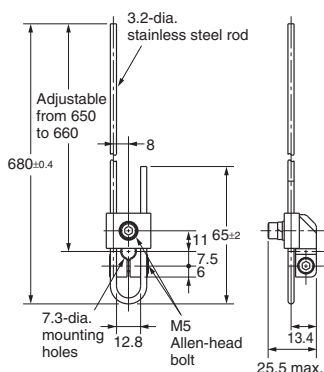
WL-3A100



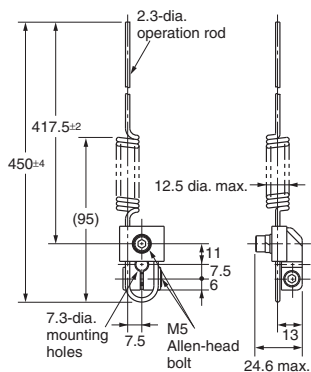
WL-3A106 Double Nut



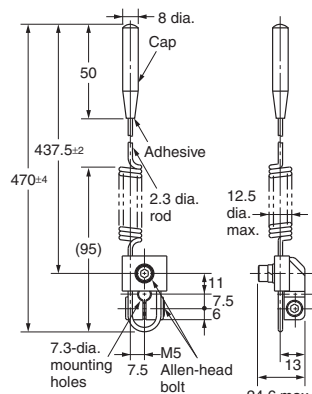
WL-3A108



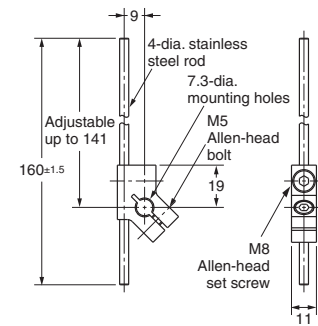
WL-3A200



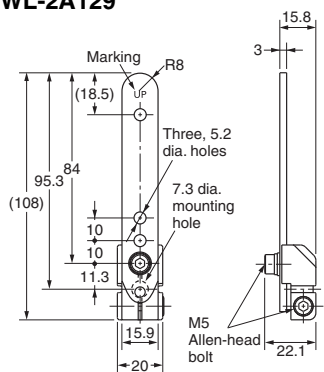
WL-3A203



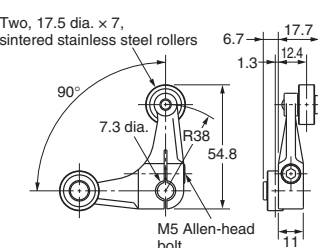
WL-4A112



WL-2A129

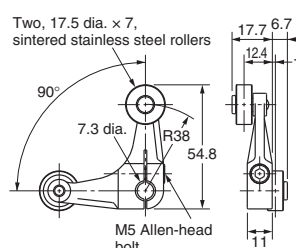


WL-5A101



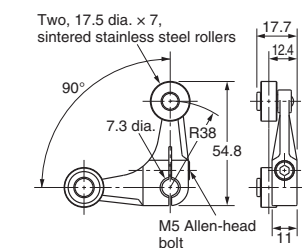
WL-5A100 has a plastic roller

WL-5A103



WL-5A102 has a plastic roller

WL-5A105



WL-5A104 has a plastic roller

Note: 1. Unless otherwise indicated, a tolerance of ±0.4 mm applies to all dimensions.  
 2. When using the adjustable roller (rod) lever, make sure that the lever is facing downwards.  
 Use caution, as telegraphing (the Switch turns ON and OFF repeatedly due to inertia) may occur.

**Model Replacement Table (Replacing WL Basic Models with WL-N Basic Models)**

Manufacturing of the basic WL models is scheduled to be discontinued. Use the following table to find the corresponding WL-N-series models and order them instead.

WL	WL-N
WLCA2	WLCA2-N
WL01CA2	WLCA2-N
WLH2	WLCA2-N
WL01H2	WLCA2-N
WLCA2-2	WLCA2-2-N
WL01CA2-2	WLCA2-2-N
WLCA2-2N	WLCA2-2N-N
WL01CA2-2N	WLCA2-2N-N
WLCA2-7	WLCA2-7-N
WL01CA2-7	WLCA2-7-N
WLCA2-8	WLCA2-8-N
WL01CA2-8	WLCA2-8-N
WLCA12	WLCA12-N
WL01CA12	WLCA12-N
WLH12	WLCA12-N
WL01H12	WLCA12-N
WLCA12-2	WLCA12-2-N
WL01CA12-2	WLCA12-2-N
WLCA12-2N	WLCA12-2N-N
WL01CA12-2N	WLCA12-2N-N
WLCL	WLCL-N
WL01CL	WLCL-N
WLHL	WLCL-2N-N
WL01HL	WLCL-2N-N
WLCL-2	WLCL-2-N
WLCL-2N	WLCL-2N-N
WL01CL-2N	WLCL-2N-N
WLHAL4	WLCAL4-N
WLHAL5	WLCAL5-N
WLCA32-41	WLCA32-41-N
WL01CA32-41	WLCA32-41-N
WLCA32-42	WLCA32-42-N
WLCA32-43	WLCA32-43-N
WL01CA32-43	WLCA32-43-N
WLCA32-44	WLCA32-44-N
WL01CA32-44	WLCA32-44-N
WLD	WLD18-N
WL01D	WLD18-N
WLD2	WLD28-N
WL01D2	WLD28-N
WLD3	WLD38-N
WL01D3	WLD38-N
WLD28	WLD28-N
WL01D28	WLD28-N
WLSL	WLSL-N
WL01SD	WLSL-N
WLSL2	WLSL2-N
WL01SD2	WLSL2-N
WLSL3	WLSL3-N
WL01SD3	WLSL3-N

WL	WL-N
WLNJ	WLNJ-N
WL01NJ	WLNJ-N
WLNJ-30	WLNJ-30-N
WL01NJ-30	WLNJ-30-N
WLNJ-2	WLNJ-2-N
WL01NJ-2	WLNJ-2-N
WLNJ-S2	WLNJ-S2-N
WL01NJ-S2	WLNJ-S2-N
WLCA2-LE	WLCA2-LE-N
WLCA2-LD	WLCA2-LD-N
WLH2-LE	WLCA2-LE-N
WLH2-LD	WLCA2-LD-N
WLCA2-2LE	WLCA2-2LE-N
WLCA2-2LD	WLCA2-2LD-N
WLCA2-2NLE	WLCA2-2NLE-N
WLCA2-2NLD	WLCA2-2NLD-N
WLCA2-7LE	WLCA2-7LE-N
WLCA2-7LD	WLCA2-7LD-N
WLCA2-8LE	WLCA2-8LE-N
WLCA2-8LD	WLCA2-8LD-N
WLCA12-LE	WLCA12-LE-N
WLCA12-LD	WLCA12-LD-N
WLH12-LE	WLCA12-LE-N
WLH12-LD	WLCA12-LD-N
WLCA12-2LE	WLCA12-2LE-N
WLCA12-2LD	WLCA12-2LD-N
WLCA12-2NLE	WLCA12-2NLE-N
WLCA12-2NLD	WLCA12-2NLD-N
WLCL-LE	WLCL-LE-N
WLCL-LD	WLCL-LD-N
WLHL-LE	WLCL-2NLE-N
WLHL-LD	WLCL-2NLD-N
WLCL-2LE	WLCL-2LE-N
WLCL-2LD	WLCL-2LD-N
WLCL-2NLE	WLCL-2NLE-N
WLCL-2NLD	WLCL-2NLD-N
WLHAL4-LE	WLCAL4-LE-N
WLHAL4-LD	WLCAL4-LD-N
WLHAL5-LE	WLCAL5-LE-N
WLHAL5-LD	WLCAL5-LD-N
WLCA32-41LE	WLCA32-41LE-N
WLCA32-41LD	WLCA32-41LD-N
WLCA32-42LE	WLCA32-42LE-N
WLCA32-43LE	WLCA32-43LE-N
WLCA32-43LD	WLCA32-43LD-N
WLD-LE	WLD18-LE-N
WLD-LD	WLD18-LD-N
WLD2-LE	WLD28-LE-N
WLD2-LD	WLD28-LD-N
WLD3-LE	WLD38-LE-N

WL	WL-N
WLD3-LD	WLD38-LD-N
WLD28-LE	WLD28-LE-N
WLD28-LD	WLD28-LD-N
WLSL-LE	WLSL-LE-N
WLSL-LD	WLSL-LD-N
WLSL2-LE	WLSL2-LE-N
WLSL2-LD	WLSL2-LD-N
WLSL3-LE	WLSL3-LE-N
WLSL3-LD	WLSL3-LD-N
WLNJ-LE	WLNJ-LE-N
WLNJ-LD	WLNJ-LD-N
WLNJ-30LE	WLNJ-30LE-N
WLNJ-30LD	WLNJ-30LD-N
WLNJ-2LE	WLNJ-2LE-N
WLNJ-2LD	WLNJ-2LD-N
WLNJ-S2LE	WLNJ-S2LE-N
WLNJ-S2LD	WLNJ-S2LD-N
WLCA2-LDK13	WLCA2-LDK13-N
WLCA2-55LDK13	WLCA2-55LDK13-N
WLCA2-LDK43	WLCA2-LDK43-N
WLCA2-55LDK43	WLCA2-55LDK43-N
WLD2-LDK13	WLD28-LDK13-N
WLD2-55LDK13	WLD28-55LDK13-N
WLD2-LDK43	WLD28-LDK43-N
WLD2-55LDK43	WLD28-55LDK43-N
WLH2-LDK13	WLCA2-LDK13-N
WLH2-55LDK13	WLCA2-55LDK13-N
WLH2-LDK43	WLCA2-LDK43-N
WLH2-55LDK43	WLCA2-55LDK43-N
WLCA2-55LD-M1J	WLCA2-55LD-M1J-N
WLCA2-LD-M1GJ	WLCA2-LD-M1GJ-N
WLCA2-55LD-M1GJ	WLCA2-55LD-M1GJ-N
WLCA2-55LD-M1JB	WLCA2-55LD-M1JB-N
WLCA2-LD-DGJ03	WLCA2-LD-DGJ-N
WLCA2-55LD-DGJ03	WLCA2-55LD-DGJ-N
WLCA2-LD-DK1EJ03	WLCA2-LD-DK1EJ-N
WLCA2-55LD-DK1EJ03	WLCA2-55LD-DK1EJ-N
WLD2-LD-M1J	WLD28-LD-M1J-N
WLD2-55LD-M1J	WLD28-55LD-M1J-N
WLD2-LD-M1GJ	WLD28-LD-M1GJ-N
WLD2-55LD-M1GJ	WLD28-55LD-M1GJ-N
WLD2-55LD-M1JB	WLD28-55LD-M1JB-N
WLD2-LD-DGJ03	WLD28-LD-DGJ-N
WLD2-LD-DK1EJ03	WLD28-LD-DK1EJ-N
WLD2-55LD-DK1EJ03	WLD28-55LD-DK1EJ-N
WLH2-LD-M1J	WLCA2-LD-M1J-N
WLH2-LD-M1GJ	WLCA2-LD-M1GJ-N
WLH2-LD-DGJ03	WLCA2-LD-DGJ-N
WLCA2-55	WLCA2-55-N
WLCA2-55LD	WLCA2-55LD-N

WL	WL-N	WL	WL-N	WL	WL-N
WLCA2-55LE	WLCA2-55LE-N	WLCA12-RP60	WLCA12-RP60-N	WLS2D-TH	WLS2D-TH-N
WLCA2-139	WLCA2-139-N	WLCA12-TH	WLCA12-TH-N	WLS2D-TC	WLS2D-TC-N
WLCA2-139LD2	WLCA2-139LD2-N	WLCA12-TC	WLCA12-TC-N	WLS2D-RP	WLS2D-RP-N
WLCA2-139LD3	WLCA2-139LD3-N	WLCA12-RP	WLCA12-RP-N	WLS2D2-55	WLS2D2-55-N
WLCA2-140	WLCA2-140-N	WLCA12-P1	WLCA12-P1-N	WLS2D2-55LD	WLS2D2-55LD-N
WLCA2-141	WLCA2-141-N	WLH12-TH	WLCA12-TH-N	WLS2D2-139	WLS2D2-139-N
WLCA2-141LD2	WLCA2-141LD2-N	WLH12-TC	WLCA12-TC-N	WLS2D2-140	WLS2D2-140-N
WLCA2-141LD3	WLCA2-141LD3-N	WLH12-RP	WLCA12-RP-N	WLS2D2-RP60	WLS2D2-RP60-N
WLCA2-RP60	WLCA2-RP60-N	WLH12-P1	WLCA12-P1-N	WLS2D2-TH	WLS2D2-TH-N
WLCA2-RP60LD2	WLCA2-RP60LD2-N	WLCA12-2TH	WLCA12-2TH-N	WLS2D2-TC	WLS2D2-TC-N
WLCA2-RP60LD3	WLCA2-RP60LD3-N	WLCA12-2TC	WLCA12-2TC-N	WLS2D2-RP	WLS2D2-RP-N
WLCA2-TH	WLCA2-TH-N	WLCA12-2NTH	WLCA12-2NTH-N	WLNJ-55	WLNJ-55-N
WLCA2-TC	WLCA2-TC-N	WLCA12-2NTC	WLCA12-2NTC-N	WLNJ-55LD	WLNJ-55LD-N
WLCA2-RP	WLCA2-RP-N	WLCL-55	WLCL-55-N	WLNJ-139	WLNJ-139-N
WLCA2-P1	WLCA2-P1-N	WLCL-55LD	WLCL-55LD-N	WLNJ-140	WLNJ-140-N
WLH2-55	WLCA2-55-N	WLCL-139	WLCL-139-N	WLNJ-RP60	WLNJ-RP60-N
WLH2-55LD	WLCA2-55LD-N	WLCL-140	WLCL-140-N	WLNJ-TH	WLNJ-TH-N
WLH2-55LE	WLCA2-55LE-N	WLCL-RP60	WLCL-RP60-N	WLNJ-TC	WLNJ-TC-N
WLH2-139	WLCA2-139-N	WLCL-TH	WLCL-TH-N	WLNJ-RP	WLNJ-RP-N
WLH2-140	WLCA2-140-N	WLCL-TC	WLCL-TC-N	WLNJ-255	WLNJ-255-N
WLH2-141	WLCA2-141-N	WLCL-RP	WLCL-RP-N	WLNJ-255LD	WLNJ-255LD-N
WLH2-141LD3	WLCA2-141LD3-N	WLCL-P1	WLCL-P1-N	WLNJ-2140	WLNJ-2140-N
WLH2-RP60	WLCA2-RP60-N	WLHL-TH	WLCL-2NTH-N	WLNJ-2RP60	WLNJ-2RP60-N
WLH2-RP60LD3	WLCA2-RP60LD3-N	WLHL-TC	WLCL-2NTC-N	WLNJ-2RP	WLNJ-2RP-N
WLH2-TH	WLCA2-TH-N	WLHL-RP	WLCL-2NRP-N	WLCA2-LEAS	WLCA2-LEAS-N
WLH2-TC	WLCA2-TC-N	WLHL-P1	WLCL-2NP1-N	WLH2-LEAS	WLCA2-LEAS-N
WLH2-RP	WLCA2-RP-N	WLGL-TH	WLGL-TH-N	WLCA2-LDAS	WLCA2-LDAS-N
WLH2-P1	WLCA2-P1-N	WLCL-2TH	WLCL-2TH-N	WLH2-LDAS	WLCA2-LDAS-N
WLCA2-255	WLCA2-255-N	WLCL-2TC	WLCL-2TC-N	WLCA2-LES	WLCA2-LES-N
WLCA2-255LD	WLCA2-255LD-N	WLCL-2RP	WLCL-2RP-N	WLH2-LES	WLCA2-LES-N
WLCA2-255LE	WLCA2-255LE-N	WLCL-2NTH	WLCL-2NTH-N	WLCA2-LDS	WLCA2-LDS-N
WLCA2-2139	WLCA2-2139-N	WLCL-2NTC	WLCL-2NTC-N	WLH2-LDS	WLCA2-LDS-N
WLCA2-2139LD2	WLCA2-2139LD2-N	WLD2-55	WLD28-55-N	WLD28-LES	WLD28-LES-N
WLCA2-2139LD3	WLCA2-2139LD3-N	WLD2-55LD	WLD28-55LD-N	WLD28-LDS	WLD28-LDS-N
WLCA2-2RP60	WLCA2-2RP60-N	WLD2-55LE	WLD28-55LE-N	WLMCA2-LD	WLMCA2-LD-N
WLCA2-2RP60LD2	WLCA2-2RP60LD2-N	WLD2-139	WLD28-139-N	WLMCA2-LDK13A	WLMCA2-LDK13A-N
WLCA2-2RP60LD3	WLCA2-2RP60LD3-N	WLD2-RP60	WLD28-RP60-N	WLMCA2-LDK13	WLMCA2-LDK13-N
WLCA2-2TH	WLCA2-2TH-N	WLD2-TH	WLD28-TH-N	WLMCA2-LDK43A	WLMCA2-LDK43A-N
WLCA2-2TC	WLCA2-2TC-N	WLD2-TC	WLD28-TC-N	WLMCA2-LDK43	WLMCA2-LDK43-N
WLCA2-2N55	WLCA2-2N55-N	WLD2-RP	WLD28-RP-N	WLMCA2-LD-M1J	WLMCA2-LD-M1J-N
WLCA2-2N55LD	WLCA2-2N55LD-N	WLD28-55	WLD28-55-N	WLMCA2-LD-DGJ03	WLMCA2-LD-DGJ-N
WLCA2-2N55LE	WLCA2-2N55LE-N	WLD28-55LD	WLD28-55LD-N	WLMH2-LD	WLMCA2-LD-N
WLCA2-2N139	WLCA2-2N139-N	WLD28-55LE	WLD28-55LE-N	WLMH2-LDK13A	WLMCA2-LDK13A-N
WLCA2-2N140	WLCA2-2N140-N	WLD28-139	WLD28-139-N	WLMH2-LDK13	WLMCA2-LDK13-N
WLCA2-2NTH	WLCA2-2NTH-N	WLD28-140	WLD28-140-N	WLMH2-LDK43A	WLMCA2-LDK43A-N
WLCA2-2NTC	WLCA2-2NTC-N	WLD28-RP60	WLD28-RP60-N	WLMH2-LDK43	WLMCA2-LDK43-N
WLCA12-55	WLCA12-55-N	WLD28-TH	WLD28-TH-N	WLMH2-LD-M1J	WLMCA2-LD-M1J-N
WLCA12-55LD	WLCA12-55LD-N	WLD28-RP	WLD28-RP-N	WLMH2-LD-DGJ03	WLMCA2-LD-DGJ-N
WLCA12-55LE	WLCA12-55LE-N	WLS2D-55	WLS2D-55-N	WLRCA2	WLRCA2-N
WLCA12-139	WLCA12-139-N	WLS2D-55LD	WLS2D-55LD-N	WLRH2	WLRCA2-N
WLCA12-140	WLCA12-140-N	WLS2D-139	WLS2D-139-N	WLRCA2-2	WLRCA2-2-N
WLCA12-141	WLCA12-141-N	WLS2D-RP60	WLS2D-RP60-N	WLRCA2-2N	WLRCA2-2N-N

## WL-N/WL

---

WL	WL-N
WLRCA2	WLRCA2-N
WLRH2	WLRCA2-N
WLRCA2-2	WLRCA2-2-N
WLRCA2-2N	WLRCA2-2N-N
WLRCL	WLRCA2-N
WLRCA2-2	WLRCA2-2-N
WLRCA2-2N	WLRCA2-2N-N
WLRCA32	WLRCA32-N
WLRCA2-LDS	WLRCA2-LDS-N
WLRH2-LES	WLRCA2-LES-N
WLRH2-LDS	WLRCA2-LDS-N

## Model Replacement Table (Replacing WL-N High-sensitivity and High-precision Models with WL High-sensitivity and High-precision Models)

The WL-N high-sensitivity and high-precision models have been integrated into the WL Series. To use a WL-N high-sensitivity or high-precision model, find the corresponding WL high-sensitivity or high-precision model in the following model replacement table, and order the switch with the WL model number.

WL-N	WL	WL-N	WL	WL-N	WL
WLG2-TH-N	WL01G2-TH-F	WLGCA2-LDS-N	WLGCA2-LDS	WLG2-55LD-M1JB-N	WLG2-55LD-M1JB
	WLG2-TH-F	WLGCA2-LDS-M1J-1-N	WLGCA2-LDS-M1J-1	WLG2-55LD-M1GJ-N	WLG2-55LD-M1GJ 0.3M
	WLG2-TH	WLGCA2-LDS-M1GJ-1-N	WLGCA2-LDS-M1GJ-1	WLG2-55LDK43-N	WL01G2-55LDK43
WLG2-N	WL01G2	WLGCA2-LD-N	WL01GCA2-LD		WLG2-55LDK43
	WLG2		WLGCA2-LD	WLG2-55LDK13-N	WL01G2-55LDK13
WLG2-LDS-N	WL01G2-LDS	WLGCA2-LD-M1J-N	WLGCA2-LD-M1J		WLG2-55LDK13
	WLG2-LDS	WLGCA2-LD-M1GJ-N	WLGCA2-LD-M1GJ 0.3M		WLG2-55LDK13CE
WLG2-LD-N	WL01G2-LD	WLGCA2-LDK43-N	WL01GCA2-LDK43	WLG2-55LD-DTK1EJ-N	WLG2-55LD-DTK1EJ03
	WLG2-LD		WLGCA2-LDK43	WLG2-55LD-DK1EJ-N	WLG2-55LD-DK1EJ03
WLG2-LD-M1J-N	WL01G2-LD-M1J	WLGCA2-LDK13-N	WLGCA2-LDK13	WLG2-55LD-DGJ-N	WL01G2-55LD-DGJ03
	WLG2-LD-M1J	WLGCA2-LD-DGJ-N	WLGCA2-LD-DGJ03		WLG2-55LD-DGJ03
WLG2-LD-M1JB-N	WLG2-LD-M1JB 0.3M	WLGCA2-55-N	WLGCA2-55	WLG2-141-N 5M	WLG2-141 5M
WLG2-LD-M1GJ-N	WLG2-LD-M1GJ 0.3M	WLGCA2-55LE-N	WLGCA2-55LE	WLG2-141-N 2M	WLG2-141 2M
WLG2-LD-DGJ-N	WL01G2-LD-DGJ03	WLGCA2-55LD-N	WL01GCA2-55LD	WLG2-141LD3-N 5M	WL01G2-141LD3 5M
	WLG2-LD-DGJ03		WLGCA2-55LD		WLG2-141LD3 5M
WLG12-TH-N	WL01G12-TH	WLGCA2-55LD-M1J-N	WLGCA2-55LD-M1J 0.3M	WLG2-141LD2-N 5M	WLG2-141LD2 5M
	WLG12-TH	WLGCA2-55LD-M1JB-N	WLGCA2-55LD-M1JB 0.3M	WLG2-140-N 5M	WLG2-140 5M
WLG12-N	WL01G12	WLGCA2-55LD-M1GJ-N	WLGCA2-55LD-M1GJ 0.3M	WLG2-139-N 5M	WLG2-139 5M
	WLG12	WLGCA2-55LDK43-N	WL01GCA2-55LDK43	WLG2-139-N 3M	WLG2-139 3M
WLRG2-N	WLR01G2		WLGCA2-55LDK43	WLGCA2-55LDK13	WLG2-139LD3-N 5M
	WLRG2	WLGCA2-55LDK13	WLG12-TC-N		WLG12-TC
WLRG2-LDS-N	WLRG2-LDS	WLGCA2-55LDK13-N	WLGCA2-55LDK13		WLG12-P1-N
WLMGCA2-LD-N	WLMGCA2-LD	WLGCA2-55LD-DGJ-N	WLGCA2-55LDK13CE	WLG12-LE-N	WLG12-LE
WLMGCA2-LD-M1J-N	WLMGCA2-LD-M1J		WLGCA2-55LD-DGJ03	WLG12-LD-N	WLG12-LD
WLMGCA2-LDK43-N	WLMGCA2-LDK43	WLGCA2-139-N 5M	WLGCA2-139 5M	WL-2H4100-N (FOR WLG1-N)	None
WLMGCA2-LDK13-N	WLMGCA2-LDK13	WLGCA2-139-N 3M	WLGCA2-139 3M	WL-2H2100-N (FOR WLG12-N)	None
WLMGCA2-LDK13A-N	WLMGCA2-LDK13A	WLGCA2-139-N 2M	WLGCA2-139 2M	WL-2H1100W-N (FOR WLG2-141-N)	None
WLMG2-LD-N	WLMG2-LD	WLGCA2-139LD3-N 5M	WLGCA2-139LD3 5M	WL-2H1100S-N (FOR WLG2-S-N)	None
WLMG2-LD-M1J-N	WLMG2-LD-M1J	WLGCA2-139LD2-N 5M	WLGCA2-139LD2 5M	WL-2H1100-N (FOR WLG2-N)	None
WLMG2-LDK43-N	WLMG2-LDK43	WLG2-TC-N	WLG2-TC		
WLMG2-LDK13-N	WLMG2-LDK13	WLG2-RP-N	WLG2-RP		
WLMG2-LDK13A-N	WLMG2-LDK13A	WLG2-RP60-N 5M	WLG2-RP60		
WLMG2-LD-DGJ-N	WLMG2-LD-DGJ03	WLG2-RP60-N 10M	WLG2-RP60 10M		
WLGL-TH-N	WLGL-TH	WLG2-RP60LD3-N 5M	WLG2-RP60LD3		
WLGL-TC-N	WLGL-TC	WLG2-RP60LD2-N 5M	WLG2-RP60LD2		
WLGL-P1-N	WLGL-P1	WLG2-P1-N	WLG2-P1		
WLGL-N	WL01GL	WLG2-LES-N	WLG2-LES		
	WLGL	WLG2-LE-N	WL01G2-LE		
WLGL-LE-N	WLGL-LE		WLG2-LE		
WLGL-LD-N	WLGL-LD	WLG2-LEAS-N	WLG2-LEAS		
WLGCA2-TH-N	WL01GCA2-TH	WLG2-LDK43-N	WLG2-LDK43		
	WLGCA2-2TH	WLG2-LDK13-N	WL01G2-LDK13		
	WLGCA2-TH		WLG2-LDK13		
WLGCA2-TC-N	WLGCA2-TC	WLG2-LD-DK1EJ-N	WLG2-LD-DK1EJ03		
WLGCA2-RP-N	WLGCA2-RP	WLG2-LDAS-N	WLG2-LDAS		
WLGCA2-RP60-N 5M	WLGCA2-RP60	WLG2-55-N	WL01G2-55		
WLGCA2-RP60LD3-N 5M	WLGCA2-RP60LD3		WLG2-55		
WLGCA2-RP60LD2-N 5M	WLGCA2-RP60LD2	WLG2-55LE-N	WLG2-55LE		
WLGCA2-N	WL01GCA2		WLG2-55LD-N	WL01G2-55LD	
	WLGCA2	WLG2-55LD			
WLGCA2-LES-N	WLGCA2-LES	WLG2-55LD-M1TJ-N	WLG2-55LD-M1TJ		
WLGCA2-LE-N	WL01GCA2-LE	WLG2-55LD-M1TJB-N	WLG2-55LD-M1TJB		
	WLGCA2-LE				

# Safety Precautions

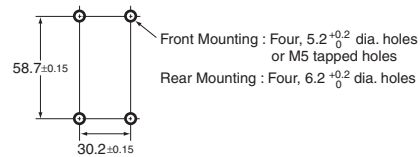
## Precautions for Safe Use

- Be sure to ground. Otherwise electric shock may result.
- Do not touch charged switch terminals while the switch has carry current, Otherwise electric shock may result.
- Do not disassemble the limit switch or touch inside of it under supplying power, Otherwise electric shock may result.
- Do not disassemble the limit switch or touch inside of it under supplying power, otherwise there is the possibility that electrical shock occurs.
- Do not touch the wire or rod type actuator in order to prevent injury.
- Connect a fuse which has 1.5 to 2 times higher breaking current than the switch rated current to the switch in series in order to prevent the switch from short-circuit damage.
- On the occasion when using the switch with GB ratings, use a 10A fuse that complies IEC60269, either type gG.
- The durability of switch is depends on the operating condition Be sure to check the condition with actual using condition before using, and use with the number of times of operating without a performance problem.
- Otherwise, there is the possibility of spoiling the normal operation. Do not drop the switch.
- Do not connect a Single Limit Switch to two power supplies that are different in polarity or type. Risk of interference.
- Be sure to keep the load current less than the rated value. Otherwise, there is the possibility that the switch may be damage and/or burnout.
- Do not use the Switch by itself in atmospheres containing flammable or explosive gases. Arcs and heating resulting from switching may cause fire or explosion.
- Be sure to prevent the foreign materials such like a scrapped cable intrusion in to the switch when wiring. Otherwise, there is the possibility of spoiling the normal operation.
- Never wire to the wrong terminals.
- Do not store or use the switch with following place.
  - Where the temperature fluctuates greatly
  - Where the humidity is very high and condensation may occur.
  - Where the vibration is too much
  - Where receiving direct sunshine.
  - Where receiving salty wind.
- Do not disassemble and/or modify the switch at anytime. Otherwise, there is the possibility of spoiling the normal operation.
- Do not apply the force such like deformation and/or degeneration to the switch.

- Constantly subjecting a Switch to vibration or shock can result in wear, which can lead to contact interference with contacts, operation failure, reduced durability, and other problems. Excessive vibration or shock can lead to false contact operation or damage. Install Switches in locations not subject to shock and vibration and in orientations that will not produce resonance.
- The Switches have physical contacts. Using them in environments containing silicon gas will result in the formation of silicon oxide (SiO<sub>2</sub>) due to arc energy. If silicon oxide accumulates on the contacts, contact interference can occur. If silicon oil, silicon filling agents, silicon cables, or other silicon products are present near the Switch, suppress arcing with contact protective circuits (surge suppressor) or remove the source of silicon gas.

## Installing the Switch

- To install the Switch, make a mounting panel, as shown in the following diagram, and tighten screws using the appropriate tightening torque.



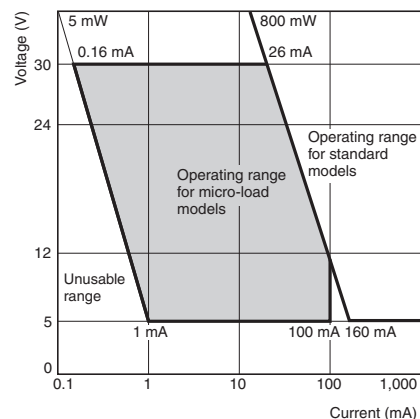
## Using Switches for Micro Loads

Contact faults may occur if a Switch for a general-load is used to switch a micro load circuit. Use switches in the ranges shown in the diagram below. However, even when using microload models within the operating range shown here, if inrush current occurs when the contact is opened or closed, it may increase contact wear and so decrease durability. Therefore, insert a contact protection circuit where necessary.

For the WL-N, the P level is at the min. operating load of 5 VDC and 1 mA resistive load.

**Note:** The P level indicates the standard malfunction level at a reliability level of 60% ( $\lambda_{60}$ ). (JISC5003)  $\lambda_{60} = 0.1 \times 10^{-6}$ /operations indicates that the estimated malfunction rate is less than 1/10,000,000 operations with a reliability level of 60%.

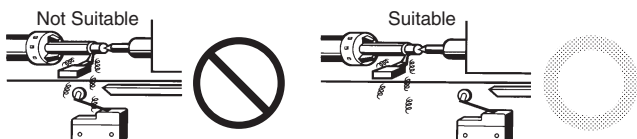
For the WL01G□, the N level is a reference value at the min. operating load of 5 VDC and 1 mA resistive load. An estimated malfunction rate of 1/2,000,000 operations at a reliability level of 60% is indicated as a reference value.



## Precautions for Correct Use

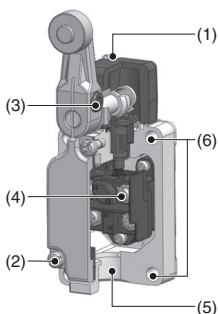
### Environment

- Take special care to use where there is fine powder, mud and/or foreign materials stacking. And check the condition with actual using condition before using. Then use without a performance problem.
- Do not keep the Switch in locations with corrosive gas, such as sulfuric gas (H<sub>2</sub>S or SO<sub>2</sub>), ammonium gas (NH<sub>3</sub>), nitric gas (HNO<sub>3</sub>), or chlorine gas (Cl<sub>2</sub>), or high temperature and humidity. Otherwise, contact failure or corrosion damage may result.
- Seal material may deteriorate if a Switch is used outdoor or where subject to special cutting oils, solvents, or chemicals. Always appraise performance under actual application conditions and set suitable maintenance and replacement periods.
- Install Switches where they will not be directly subject to cutting chips, dust, or dirt. The Actuator and Switch must also be protected from the accumulation of cutting chips or sludge.



## Tightening Torque

- If screws are too loose they can lead to an early malfunction of the Switch, so ensure that all screws are tightened using the appropriate tightening torque.
- In particular, when changing the direction of the Head, make sure that all screws are tightened again to the appropriate tightening torque. Do not allow foreign objects to fall into the Switch.



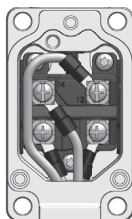
No.	Type	Torque	Screw type
(1)	Head mounting screw	0.78 to 0.88 N•m	M3.5 screw
(2)	Cover mounting screw	1.18 to 1.37 N•m	M4 screw
(3)	Allen-head bolt (for securing the roller lever)	4.90 to 5.88 N•m	M5 hexagon socket head cap screw
(3)	Allen-head bolt (for securing the adjustable rod lever)	0.88 to 1.08 N•m	M8 hexagon socket set screw
(4)	Terminal screw	0.59 to 0.78 N•m	M3.5 screw
(5)	Connector	1.77 to 2.16 N•m	G1/2orPg13.5orM20or 1/2-14NPT
(6)	Unit mounting screw	4.90 to 5.88 N•m	M5 screw
	Back mounting screws	4.90 to 5.88 N•m	M6 screw

## Wring

### In the case of mounting screw

#### Basic Switches

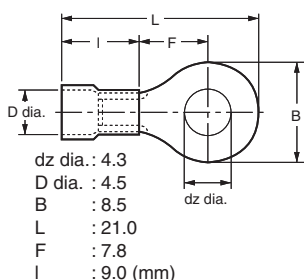
- Use M3.5-nylon insulation covered crimp terminals (round type) for wiring. Ex.) V1.25-M3.5(RAP1.25-3.5) (J.S.T. Mfg. Co.,Ltd.)
- Appropriate wire size is AWG16 (1.25 mm<sup>2</sup>).
- Do not supply electric power when wiring. Otherwise electric shock may result.
- Do not pull out the wires with excessive force. It may cause of coming off the wire.
- Use crimp terminals for wiring.
- In the case of indicator unit, to avoid interference between lump unit and crimp terminals, wire according to right wiring figure. Attach the indicator unit spring to terminal screw certainly, otherwise it's possible to be destroyed or shorted.
- The ground terminal is only installed on models with ground terminals.



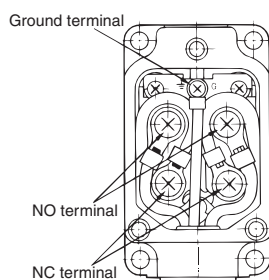
### High-sensitivity and High-precision Switches

- Use 1.25-mm<sup>2</sup> lead wires and M4-insulation covered crimp terminals for wiring.

#### Crimp Terminal External Dimensions



#### Wiring Method Switch Box Section



- The ground terminal is only installed on models with ground terminals.

### In the case of prewired connector and direct connector

- Holding the connector certainly when pulling connector.
- Don't pull the cable holding it.

## How to handle

### Changing direction of the head

- By removing two head screws or four head screws, mounting in any of four orientations is possible. Be sure to change the plunger for internal operations at the same time.

### Built-in Switch

- Do not remove or replace the built-in switch. Risk of malfunctioning.

### Overtravel Markers

- All Switches with Roller Lever Actuators except for Switches with Fork Lock Levers and Low-temperature Switches have a set position marker plate.
- To allow the roller lever type actuator to travel properly, set the roller lever according to the dog or cam stroke so that the arrowhead of the lever is positioned within the overtravel markers (pages 36, 37).

## Connectors

- Tighten the connector with the appropriate torque to prevent deformation.
- Use the OMRON type SC connector series, which is prepared separately, suitable for outer diameter of cable and inner diameter of seal rubber.
- Make sure to wrap the connector with the seal tape, except the connector which has O-ring, to keep the sealability.
- To conform to CSA, use a CSA certified water tight treated conduit hub.
- Even when the connector is assembled and set correctly, the end of the cable and the inside of the Switch may come in contact. This can lead to malfunction, leakage current, or fire, so be sure to protect the end of the cable from splashes of oil or water and corrosive gases.

## Microload Applications

- The WL-N Basic Models contacts can be used both for standard loads and microloads, but once a contact has been used to open and close a load it can no longer be used for lower loads. Doing so will damage the contact surface and reduce contact reliability.
- If an inrush current or other sudden load occurs during a switch operation, the switch will begin to degrade severely which can result in reduced durability. Use a contact protection circuit if required.

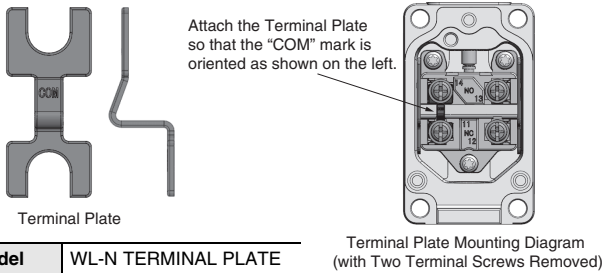
## Indicator

Indicator-equipped switch has contacts and indicator in parallel. When contacts are open, leakage current flows through the indicator circuit and may cause load's malfunction. Leakage current may cause load malfunction (i.e., the load may remain ON). Make sure that the load operating current is higher than the leakage current. For countermeasures, refer to technical support on your OMRON website.

## Terminal Plate

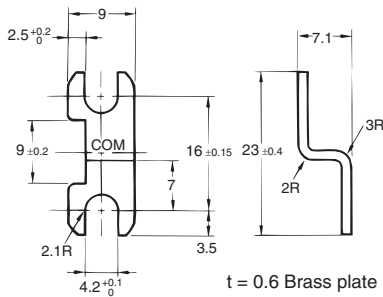
### Basic Switches

By using the Terminal Plate (sold separately), as shown in the following diagram, the Switch can be used as a single-polarity double-break switch.



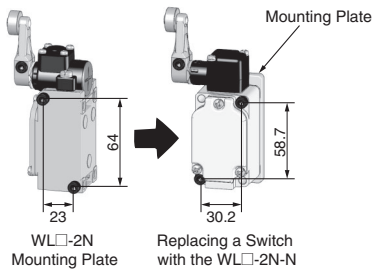
### High-sensitivity/High-precision Switches

By using a short circuit plate, as shown in the following diagram, the Switch can be fabricated into a single-polarity double-break switch. When ordering, specify WL Terminal Plate (product code: WL-9662F).



### Using a WL□-2N Switch Mounted from the Side

If you replace a previous Switch with a WL□-2N-N Switch, a Mounting Plate (sold separately) is available to maintain mounting compatibility. If you use the Mounting Plate, the Switch mounting holes and actuator position will be compatible. (The position of the dog remains unchanged.)

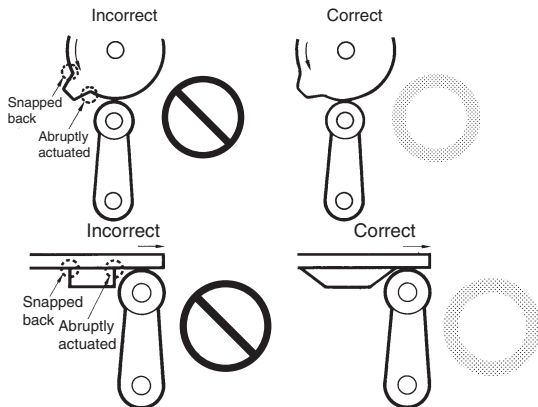


<b>Set contents</b>	
<b>Model</b>	WLN-P001

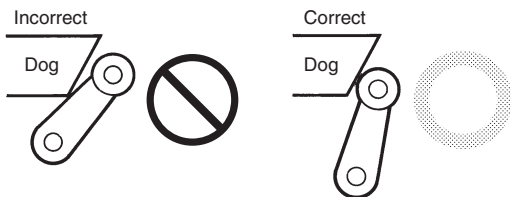


## Operation

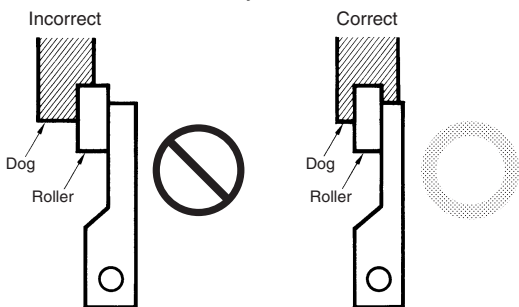
- Carefully determine the position and shape of the dog or cam so that the actuator will not abruptly snap back, thus causing shock. In order to operate the Limit Switch at a comparatively high speed, use a dog or cam that keeps the Limit Switch turned ON for a sufficient time so that the relay or valve will be sufficiently energized.
- The method of operation, the shape of the cam or dog, the operating frequency, and the travel after operation have a large influence on the durability and operating accuracy of the Limit Switch. The cam or dog must be smooth in shape.



- Appropriate force must be imposed on the actuator by the cam or dog in both rotary operation and linear operation. If the dog touches the lever as shown below, the operating position will not be stable.



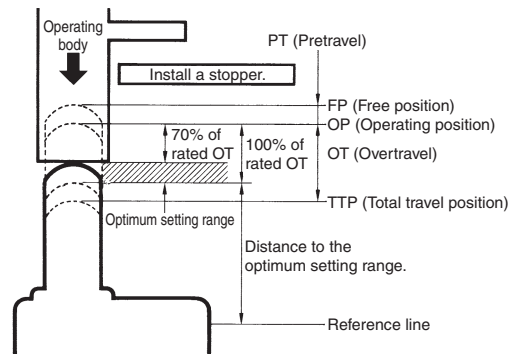
- Unbalanced force must not be imposed on the actuator. Otherwise, wear and tear on the actuator may result.



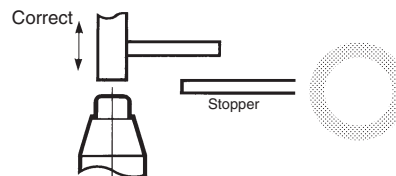
- With a roller actuator, the dog must touch the actuator at a right angle. The actuator or shaft may deform or break if the dog touches the actuator (roller) at an oblique angle.



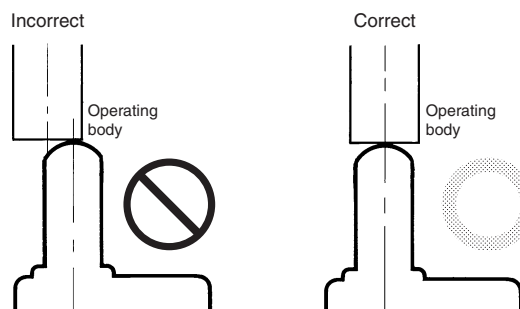
- Make sure that the actuator does not exceed the OT (overtravel) range, otherwise the Limit Switch may malfunction. When mounting the Limit Switch, be sure to adjust the Limit Switch carefully while considering the whole movement of the actuator.



- The Limit Switch may soon malfunction if the OT is excessive. Therefore, adjustments and careful consideration of the position of the Limit Switch and the expected OT of the operating body are necessary when mounting the Limit Switch.



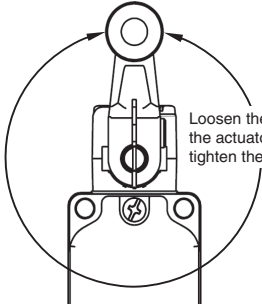
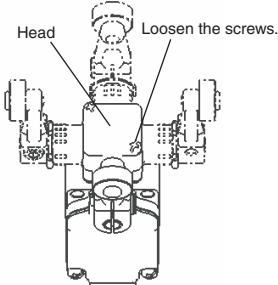
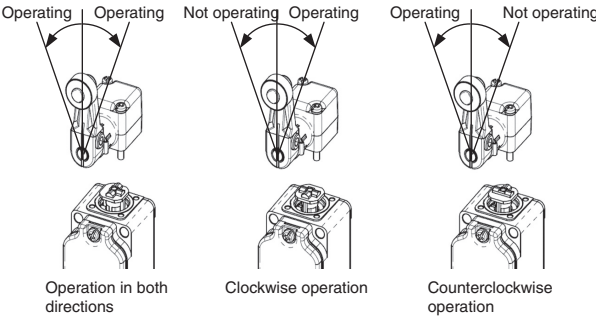
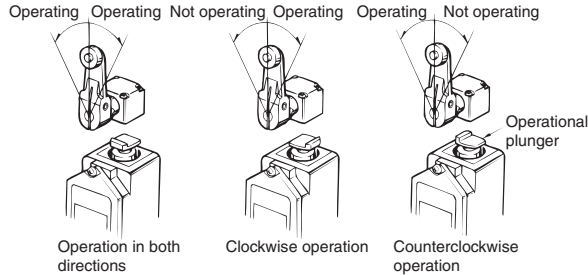
- When using a pin-plunger actuator, make sure that the stroke of the actuator and the movement of the dog are located along a single straight line.

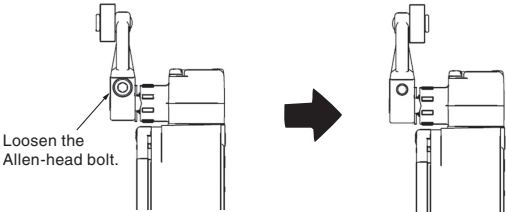
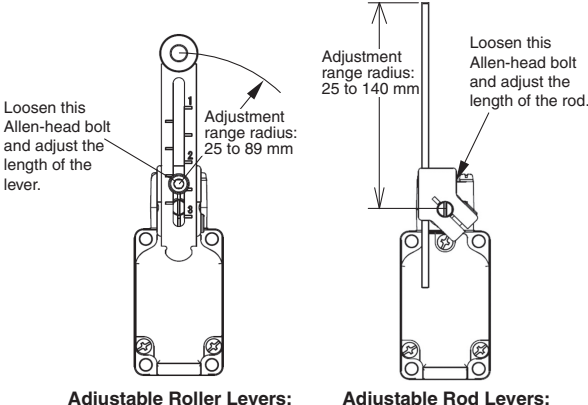
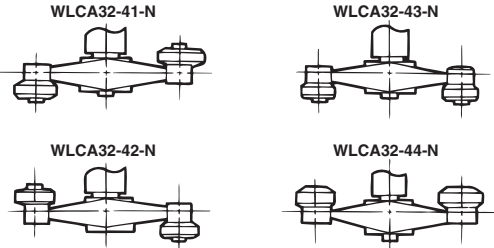


## Others

- For long term (over a year) storage, check according to Operating characteristics, Contact resistance and Dielectric strength at least. And check with using condition.
- The durability of the Switch is greatly affected by operating conditions. Evaluate the Switch under actual working conditions before permanent installation and use the Switch within a number of switching operations that will not adversely affect the Switch's performance.

Using the Switches

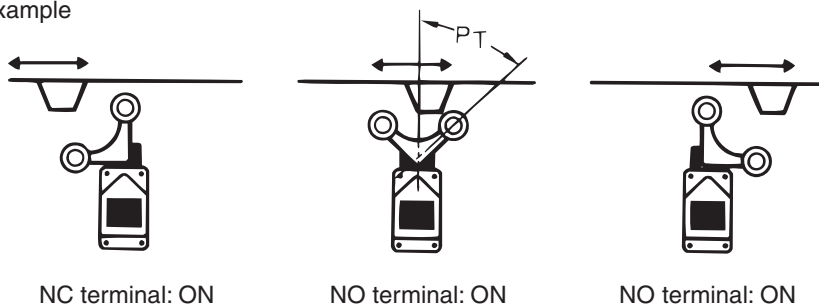
Item	Applicable models and Actuators	Details
<p><b>Changing the Installation Position of the Actuator</b>                      By loosening the Allen-head bolt on the actuator lever, the position of the actuator can be set anywhere within the 360°.                      With Operation Indicator-equipped Switches, the actuator lever comes in contact with the top of the indicator cover, so use caution when rotating and setting the lever. When the lever only moves forwards and backwards, it will not contact the lamp cover. (This does not apply to Long-life Models.)</p>	<p>Roller lever:                      (WLCA2-N, WLCA2-2-N, WLCA2-2N-N, WLG2, WLCA2-7-N, WLCA2-8-N, WLGCA2, WLMCA2-N, WLMG2, WLMGCA2)                      Adjustable Roller Lever:                      (WLCA12-N, WLCA12-2-N, WLCA12-2N-N, WLG12)                      Adjustable Rod Lever:                      (WLCL-N, WLCL-2-N, WLCL-2N-N, WLGL, WLCAL4-N, WLCAL5-N)</p>	 <p>Loosen the Allen-head bolt, set the actuator's position and then tighten the bolt again.</p>
<p><b>Changing the Orientation of the Head</b>                      By removing the head screws (two or four screws), mounting in any of four orientations is possible. Be sure to change the plunger for internal operations at the same time. The roller plunger can be set in either of two positions at 90°.</p>	<p>Roller lever:                      (WLCA2-N, WLCA2-2-N, WLCA2-2N-N, WLG2, WLCA2-7-N, WLCA2-8-N, WLGCA2, WLMCA2-N, WLMG2, WLMGCA2)                      Adjustable Roller Lever:                      (WLCA12-N, WLCA12-2-N, WLCA12-2N-N, WLG12)                      Adjustable Rod Lever:                      (WLCL-N, WLCL-2-N, WLCL-2N-N, WLGL, WLCAL4-N, WLCAL5-N)                      Horizontal plunger:                      (WLS□-N)                      Top-roller plunger:                      (WLD2-N)                      Sealed top-roller plunger:                      (WLD28-N)                      Fork lock lever:                      (WLCA32-4□-N)  <b>Note:</b> Excludes the -RP60-series and -141-series.</p>	
<p><b>Changing the Operating Direction</b>                      By removing the Head on models which can operate on one-side only, and then changing the direction of the operational plunger, one of three operating directions can be selected. The tightening torque for the screws on the Head is 0.78 to 0.88 N·m.</p>	<p>Roller lever:                      (WLCA2-N, WLCA2-2-N, WLCA2-2N-N, WLCA2-7-N, WLCA2-8-N, WLMCA2-N)                      Adjustable Roller Lever:                      (WLCA12-N, WLCA12-2-N, WLCA12-2N-N)                      Adjustable Rod Lever:                      (WLCL-N, WLCL-2-N, WLCL-2N-N, WLCAL4-N, WLCAL5-N)</p> <p>Roller lever:                      (WLGCA2, WLMGCA2)</p>	<p><b>One-side Operation</b>                      The output of the Switch will be changed, regardless of which direction the lever is pushed.      The output of the Switch will only be changed when the lever is pushed in one direction.</p>  <p>Operating    Operating    Not operating    Operating    Operating    Not operating</p> <p>Operation in both directions      Clockwise operation      Counterclockwise operation</p> <p><b>One-side Operation for High-sensitivity and High-precision Switches</b>                      The output of the Switch will be changed, regardless of which direction the lever is pushed.      The output of the Switch will only be changed when the lever is pushed in one direction.</p>  <p>Operating    Operating    Not operating    Operating    Operating    Not operating</p> <p>Operational plunger</p> <p>Operation in both directions      Clockwise operation      Counterclockwise operation</p>

Item	Applicable models and Actuators	Details
<p><b>Installing the Roller on the Inside</b> By installing the roller lever in the opposite direction, the roller can be installed on the inside. (Set so that operation can be completed within a 180° level range.)</p>	<p>Roller lever: (WLCA2-N, WLCA2-2-N, WLCA2-2N-N, WLG2, WLCA2-7-N, WLCA2-8-N, WLGA2, WLMCA2-N, WLMG2, WLMGCA2) Fork Lock Lever: (WLCA32-4□-N)</p>	 <p>Loosen the Allen-head bolt.</p>
<p><b>Adjusting the Length of the Rod or Lever</b> The length of the rod or lever can be adjusted by loosening the Allen-head bolt.</p>	<p>Adjustable Roller Lever: (WLCA12-N, WLCA12-2-N, WLCA12-2N-N, WLG12) Adjustable Rod Lever: (WLCL-N, WLCL-2-N, WLCL-2N-N, WLGL, WLCAL4-N)</p>	 <p>Loosen this Allen-head bolt and adjust the length of the lever.</p> <p>Adjustment range radius: 25 to 89 mm</p> <p>Adjustment range radius: 25 to 140 mm</p> <p>Loosen this Allen-head bolt and adjust the length of the rod.</p> <p><b>Adjustable Roller Levers:</b>      <b>Adjustable Rod Levers:</b></p>
<p><b>Selecting the Roller Position</b> There are four types of Switches with Fork Lock Levers for use depending on the roller position.</p>	<p>Fork Lock Lever: (WLCA32-4□-N)</p>	 <p><b>WLCA32-41-N</b>      <b>WLCA32-43-N</b></p> <p><b>WLCA32-42-N</b>      <b>WLCA32-44-N</b></p> <p>An explanation of the operation of fork lock levers is provided after this table.</p>

**Operation of Fork Lock Levers**

A Switch with a Fork Lock Lever is constructed so that the dog pushes the lever to invert the output and this inverted state is maintained even after the dog moves on. If the dog then pushes the lever from the opposite direction, the lever will return to its original position.

Example



## Limit Switch Connectors

### Connectors (SC Series)

Cabtire cables and flexible tubes with various diameters are used to connect machine tools and controllers with Limit Switches. To ensure the watertightness of the edges of the conduits, use an SC Connector that is suitable for the external diameter of cable and model of Limit Switch.

### Ordering Information

#### Connector for Cabtire Cable

Conduit	Applicable cable	Inner diameter (D) of seal rubber	External diameter of cable		Model	Applicable model
			Min.	Max.		
JIS B 0202 G½	Cabtire cable (general-purpose)	7 mm	5.5 mm	7.5 mm	SC-1M	WL-N, WL, D4A-□N, D4B-□N, ZE, ZV, ZV2, XE, XV, XV2
		9 mm	7.5 mm	9.5 mm	SC-2M	
		12.5 mm	11 mm	13 mm	SC-3M	
		14 mm	12 mm	14 mm	SC-4M	
		11 mm	9 mm	11 mm	SC-5M	
	Cabtire cable (anti-corrosive)	7 mm	5.5 mm	7.5 mm	SC-21	
		9 mm	7.5 mm	9.5 mm	SC-22	
		12.5 mm	11 mm	13 mm	SC-23	
		14 mm	12 mm	14 mm	SC-24	
		11 mm	9 mm	11 mm	SC-25	
½-14NPT	Cabtire cable	7 mm	5.5 mm	7.5 mm	SC-1PT	D4A-□N
		9 mm	7.5 mm	9.5 mm	SC-2PT	
		12.5 mm	11 mm	13 mm	SC-3PT	
		14 mm	12 mm	14 mm	SC-4PT	
		11 mm	9 mm	11 mm	SC-5PT	

**Note:** Please use sealing tape with SC Connectors. SC-1M to SC-5M, however, are provided with an O-ring (NBR) and therefore sealing tape is not necessary to ensure a proper seal.

#### Simple Connectors (Not Suitable for Locations Subject to Oil or Water)

Conduit	Applicable cable	Inner diameter (D) of seal rubber	External diameter of cable		Model	Applicable model
			Min.	Max.		
JIS B 0202 G½	Cabtire cable	10.6 mm	8.5 mm	10.5 mm	SC-P2	WL-N, WL, D4A-□N, D4B-□N, ZE, ZV, ZV2, XE, XV, XV2
Pg13.5		9.6 mm	7.5 mm	9.5 mm	SC-P3	WL□-G-N
JIS B 0202 G½		9 mm	7.5 mm	9 mm	SC-6	WL-N, WL, D4A-□N, D4N *, D4N-□R *, D4B-□N, ZE, ZV, ZV2, XE, XV, XV2

**Note:** Simple connector are made of resin. If more sealing capability is required, use one of SC-1M to SC-5M, which have metal casings. Models marked with an asterisk (\*) however, can only be used with resin connectors.

## Dimensions and Structure

(Unit: mm)

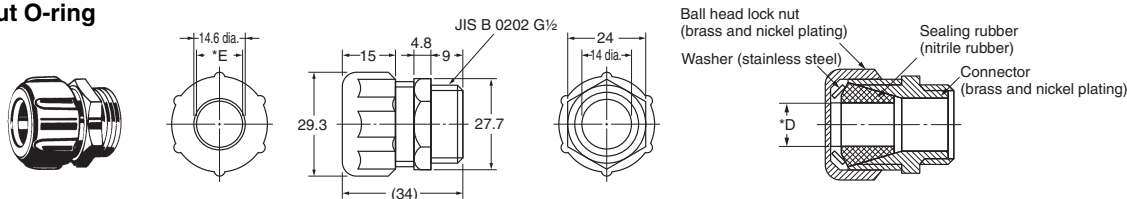
### Connectors for Cabtire Cable

As for models without an O-ring, please use sealing tape with SC Connectors.

#### Metal Models without O-ring

G $\frac{1}{2}$

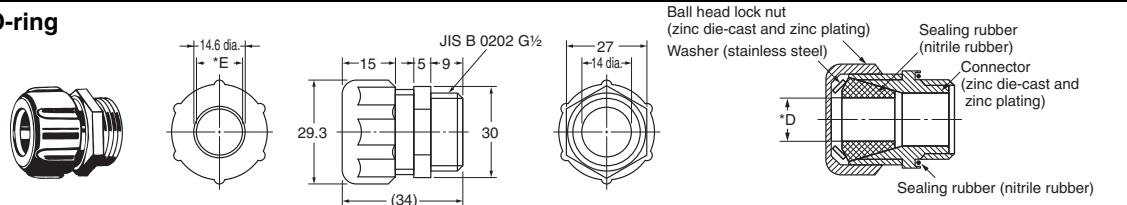
SC-21 to 25



#### Metal Models with O-ring

G $\frac{1}{2}$

SC-1M to 5M

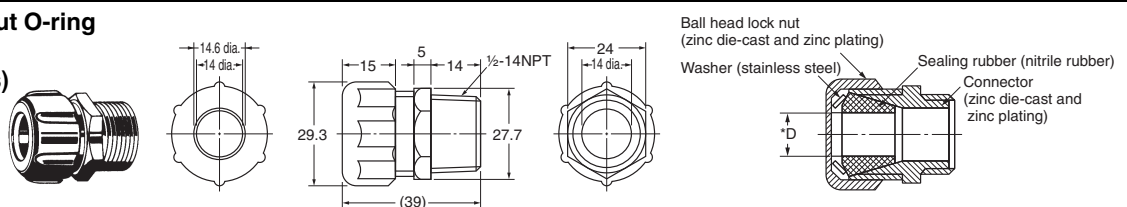


#### Metal Models without O-ring

$\frac{1}{2}$ -14NPT

(U.S.-standard screws)

SC-1PT to 5PT



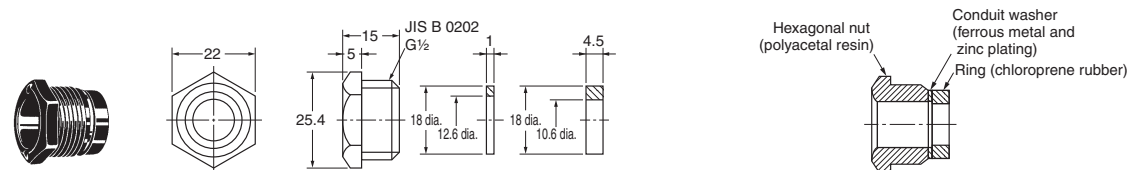
Note: Dimensions not shown in the above diagrams have a variation of  $\pm 0.4$  mm.

### Simple Connectors (Not Suitable for Locations Subject to Oil or Water)

#### Resin Models

G $\frac{1}{2}$

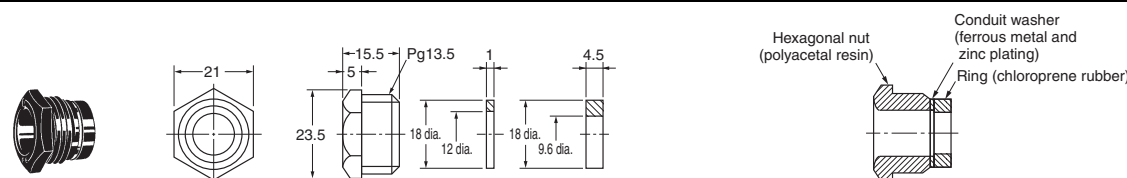
SC-P2



#### Resin Models

Pg13.5

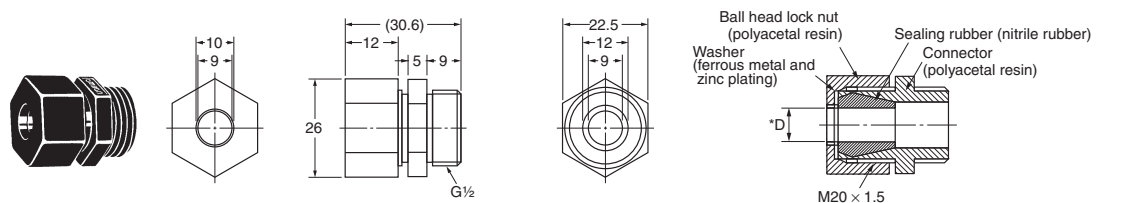
SC-P3



#### Resin Models

G $\frac{1}{2}$

SC-6



Note: Dimensions not shown in the above diagrams have a variation of  $\pm 0.4$  mm.

\* Diameter of Part Marked with Asterisk

Model	Inner diameter (D) of sealed rubber	Internal diameter (E) of washer	Applicable cable
SC-21, -1M, -1PT	7 mm	10.4 mm	5.5 to 7.5-mm dia.
SC-22, -2M, -2PT	9 mm	13.2 mm	7.5 to 9.5-mm dia.
SC-23, -3M, -3PT	12.5 mm	14.6 mm	11 to 13-mm dia.
SC-24, -4M, 4PT	14 mm	14.6 mm	12 to 14-mm dia.
SC-25, -5M, -5PT	11 mm	13.2 mm	9 to 11-mm dia.
SC-6	9 mm	10 mm	7.5 to 9-mm dia.



# Terms and Conditions Agreement

## **Read and understand this catalog.**

Please read and understand this catalog before purchasing the products. Please consult your OMRON representative if you have any questions or comments.

## **Warranties.**

- (a) Exclusive Warranty. Omron's exclusive warranty is that the Products will be free from defects in materials and workmanship for a period of twelve months from the date of sale by Omron (or such other period expressed in writing by Omron). Omron disclaims all other warranties, express or implied.
- (b) Limitations. OMRON MAKES NO WARRANTY OR REPRESENTATION, EXPRESS OR IMPLIED, ABOUT NON-INFRINGEMENT, MERCHANTABILITY OR FITNESS FOR A PARTICULAR PURPOSE OF THE PRODUCTS. BUYER ACKNOWLEDGES THAT IT ALONE HAS DETERMINED THAT THE PRODUCTS WILL SUITABLY MEET THE REQUIREMENTS OF THEIR INTENDED USE.

Omron further disclaims all warranties and responsibility of any type for claims or expenses based on infringement by the Products or otherwise of any intellectual property right. (c) Buyer Remedy. Omron's sole obligation hereunder shall be, at Omron's election, to (i) replace (in the form originally shipped with Buyer responsible for labor charges for removal or replacement thereof) the non-complying Product, (ii) repair the non-complying Product, or (iii) repay or credit Buyer an amount equal to the purchase price of the non-complying Product; provided that in no event shall Omron be responsible for warranty, repair, indemnity or any other claims or expenses regarding the Products unless Omron's analysis confirms that the Products were properly handled, stored, installed and maintained and not subject to contamination, abuse, misuse or inappropriate modification. Return of any Products by Buyer must be approved in writing by Omron before shipment. Omron Companies shall not be liable for the suitability or unsuitability or the results from the use of Products in combination with any electrical or electronic components, circuits, system assemblies or any other materials or substances or environments. Any advice, recommendations or information given orally or in writing, are not to be construed as an amendment or addition to the above warranty.

See <http://www.omron.com/global/> or contact your Omron representative for published information.

## **Limitation on Liability; Etc.**

OMRON COMPANIES SHALL NOT BE LIABLE FOR SPECIAL, INDIRECT, INCIDENTAL, OR CONSEQUENTIAL DAMAGES, LOSS OF PROFITS OR PRODUCTION OR COMMERCIAL LOSS IN ANY WAY CONNECTED WITH THE PRODUCTS, WHETHER SUCH CLAIM IS BASED IN CONTRACT, WARRANTY, NEGLIGENCE OR STRICT LIABILITY.

Further, in no event shall liability of Omron Companies exceed the individual price of the Product on which liability is asserted.

## **Suitability of Use.**

Omron Companies shall not be responsible for conformity with any standards, codes or regulations which apply to the combination of the Product in the Buyer's application or use of the Product. At Buyer's request, Omron will provide applicable third party certification documents identifying ratings and limitations of use which apply to the Product. This information by itself is not sufficient for a complete determination of the suitability of the Product in combination with the end product, machine, system, or other application or use. Buyer shall be solely responsible for determining appropriateness of the particular Product with respect to Buyer's application, product or system. Buyer shall take application responsibility in all cases.

NEVER USE THE PRODUCT FOR AN APPLICATION INVOLVING SERIOUS RISK TO LIFE OR PROPERTY OR IN LARGE QUANTITIES WITHOUT ENSURING THAT THE SYSTEM AS A WHOLE HAS BEEN DESIGNED TO ADDRESS THE RISKS, AND THAT THE OMRON PRODUCT(S) IS PROPERLY RATED AND INSTALLED FOR THE INTENDED USE WITHIN THE OVERALL EQUIPMENT OR SYSTEM.

## **Programmable Products.**

Omron Companies shall not be responsible for the user's programming of a programmable Product, or any consequence thereof.

## **Performance Data.**

Data presented in Omron Company websites, catalogs and other materials is provided as a guide for the user in determining suitability and does not constitute a warranty. It may represent the result of Omron's test conditions, and the user must correlate it to actual application requirements. Actual performance is subject to the Omron's Warranty and Limitations of Liability.

## **Change in Specifications.**

Product specifications and accessories may be changed at any time based on improvements and other reasons. It is our practice to change part numbers when published ratings or features are changed, or when significant construction changes are made. However, some specifications of the Product may be changed without any notice. When in doubt, special part numbers may be assigned to fix or establish key specifications for your application. Please consult with your Omron's representative at any time to confirm actual specifications of purchased Product.

## **Errors and Omissions.**

Information presented by Omron Companies has been checked and is believed to be accurate; however, no responsibility is assumed for clerical, typographical or proofreading errors or omissions.

**OMRON AUTOMATION AMERICAS HEADQUARTERS** • Chicago, IL USA • 847.843.7900 • 800.556.6766 • [www.omron247.com](http://www.omron247.com)

**OMRON CANADA, INC. • HEAD OFFICE**

Toronto, ON, Canada • 416.286.6465 • 866.986.6766 • [www.omron247.com](http://www.omron247.com)

**OMRON ELECTRONICS DE MEXICO • HEAD OFFICE**

México DF • 52.55.59.01.43.00 • 01-800-226-6766 • [mela@omron.com](mailto:mela@omron.com)

**OMRON ELECTRONICS DE MEXICO • SALES OFFICE**

Apodaca, N.L. • 52.81.11.56.99.20 • 01-800-226-6766 • [mela@omron.com](mailto:mela@omron.com)

**OMRON ELETRÔNICA DO BRASIL LTDA • HEAD OFFICE**

São Paulo, SP, Brasil • 55.11.2101.6300 • [www.omron.com.br](http://www.omron.com.br)

**OMRON ARGENTINA • SALES OFFICE**

Cono Sur • 54.11.4783.5300

**OMRON CHILE • SALES OFFICE**

Santiago • 56.9.9917.3920

**OTHER OMRON LATIN AMERICA SALES**

54.11.4783.5300

**OMRON EUROPE B.V.** • Wegalaan 67-69, NL-2132 JD, Hoofddorp, The Netherlands. • +31 (0) 23 568 13 00 • [www.industrial.omron.eu](http://www.industrial.omron.eu)

*Authorized Distributor:*

**Controllers & I/O**

- Machine Automation Controllers (MAC) • Motion Controllers
- Programmable Logic Controllers (PLC) • Temperature Controllers • Remote I/O

**Robotics**

- Industrial Robots • Mobile Robots

**Operator Interfaces**

- Human Machine Interface (HMI)

**Motion & Drives**

- Machine Automation Controllers (MAC) • Motion Controllers • Servo Systems
- Frequency Inverters

**Vision, Measurement & Identification**

- Vision Sensors & Systems • Measurement Sensors • Auto Identification Systems

**Sensing**

- Photoelectric Sensors • Fiber-Optic Sensors • Proximity Sensors
- Rotary Encoders • Ultrasonic Sensors

**Safety**

- Safety Light Curtains • Safety Laser Scanners • Programmable Safety Systems
- Safety Mats and Edges • Safety Door Switches • Emergency Stop Devices
- Safety Switches & Operator Controls • Safety Monitoring/Force-guided Relays

**Control Components**

- Power Supplies • Timers • Counters • Programmable Relays
- Digital Panel Meters • Monitoring Products

**Switches & Relays**

- Limit Switches • Pushbutton Switches • Electromechanical Relays
- Solid State Relays

**Software**

- Programming & Configuration • Runtime



## X-ON Electronics

Largest Supplier of Electrical and Electronic Components

*Click to view similar products for [Basic / Snap Action Switches](#) category:*

*Click to view products by [Omron](#) manufacturer:*

Other Similar products are found below :

[5SM901-S12](#) [5SM9-S12N195](#) [602EN532](#) [602EN535-RB](#) [602HE5-RB1](#) [604HE162](#) [604HE223-6B](#) [624HE17-RB](#) [6HM82](#) [6HM89](#) [6SE1](#)  
[6SX1-H58](#) [70500216](#) [70599106](#) [MBD5B1](#) [MBH2731](#) [73-316-0012](#) [EXD-AR20](#) [79211923](#) [79218589](#) [7AS12](#)  
[MIL30126AB6BBMD4A12XAU](#) [ML-1155](#) [ML-1376](#) [831010C3.0](#) [831090C2.EL](#) [83131904](#) [84212012](#) [8AS239](#) [8HM73-3](#) [8SX26-H33](#)  
[914CE1-6G](#) [PL-100](#) [11SM1077-H4](#) [11SM1077-H58](#) [11SM1-TN107](#) [11SM405](#) [11SM8423-H2](#) [11SX37-T](#) [11SX48-H58](#) [11SM2442-T](#)  
[11SM76-T](#) [11SM77-H58](#) [11SM77-T](#) [11SM863-T](#) [11SM866](#) [A7CN-1M-1-LEFT](#) [A831700C7.0](#) [121EN187-R](#) [121EN188-R](#)