

# XF3B

FOR FPC

Rotary Backlock Connector (0.3-mm Pitch, Dual Contact)

Compact body (with a low profile of just 0.9 mm) supports the applicable FPC thickness of 0.2 mm.

- Wide molding wall on the rear bottom of the connector allows greater freedom in board design.
- Dual contact model to enhance the contact structure of lower contact.
- Gold plated with an applicable FPC thickness of 0.2 mm.
- Halogen Free (See note.)

Note: OMRON uses the following standard to determine halogen-free construction:  
900 ppm max. for Br, 900 ppm max. for Cl, and 1,500 ppm max. for Br+Cl.



## RoHS Compliant

### ■ Ratings and Specifications

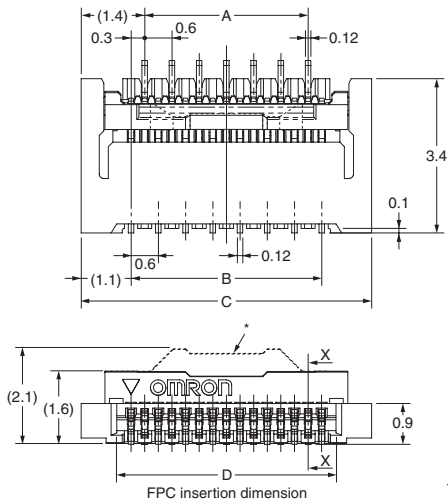
Rated current	0.2A AC/DC
Rated voltage	50V AC/DC
Contact resistance	80mΩ max. (at 20 mV DC max., 100 mA max.)
Insulation resistance	100MΩ min. (at 250V DC)
Withstand voltage	250V AC for 1 min. (leakage current: 1 mA max.)
Insertion tolerance	20 times
Ambient operating temperature	-30 to 85°C (with no icing or condensation)

### ■ Materials and Finish

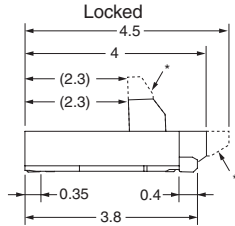
Housing	LCP resin (UL94V-0)/natural
Slider	LCP resin (UL94V-0)/brown
Contacts	Spring copper alloy/nickel substrate (2μm) Gold-plated contacts (0.15μm)

### ■ Dimensions

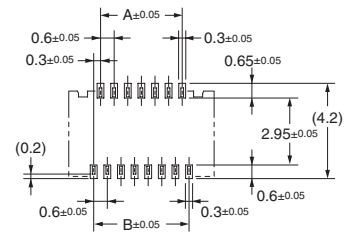
XF3B-□□45-31A  
XF3B-□□45-31AE



Cross-section diagram :X-X



PCB Mating Dimensions (TOP VIEW)



Applicable FPC Dimensions

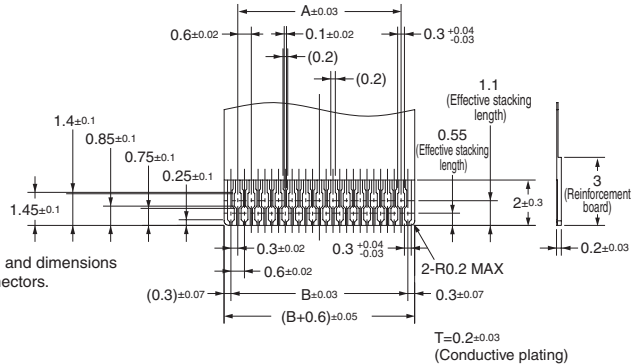


Table of Dimensions

Pins (See *2.)	Model (See *1.)	A	B (See *4)	C	D
8	XF3B-0845-31A	1.8	2.1	4.3	2.75
19	XF3B-1945-31A	4.8	5.4	7.6	6.05
25	XF3B-2545-31A	6.6	7.2	9.4	7.85
35	XF3B-3545-31A	9.6	10.2	12.4	10.85
51	XF3B-5145-31AE	14.4	15.0	17.2	15.65
67	XF3B-6745-31AE	19.2	19.8	22.0	20.45

\* Dotted lines indicate the shape and dimensions of the XF3B-□□45-31AE connectors.

### ■ Ordering Information (Please consult your trading company for the delivery date.)

Pins (See *2.)	Model (See *1.)	Quantity per reel (unit) (See *3.)
8	XF3B-0845-31A	2,000
19	XF3B-1945-31A	2,000
25	XF3B-2545-31A	2,000
35	XF3B-3545-31A	2,000
51	XF3B-5145-31AE	1,500
67	XF3B-6745-31AE	1,500

- \*1. The end of the model number indicates the slider specification.  
None: Standard type E: Easy lock type
- \*2. Please consult your OMRON representative for available pin count .
- \*3. Please order by integer multiple of the quantity per reel.
- \*4. Dimension B indicates total pitch.

## X-ON Electronics

Largest Supplier of Electrical and Electronic Components

*Click to view similar products for [FFC & FPC Connectors](#) category:*

*Click to view products by [Omron](#) manufacturer:*

Other Similar products are found below :

[FPH-1422G](#) [FPH-1602G](#) [K-FC20](#) [FH29B-80S-0.2SHW\(99\)](#) [FPH-2022G](#) [AYF332735](#) [52610-1075](#) [52610-1275](#) [52610-1934](#) [501864-3091-TR225](#) [086222026001800](#) [52610-0675](#) [62684-36210E9ALF](#) [52746-1671-TR250](#) [10051922-2810EHLF](#) [6-520415-9](#) [SFV6R-1STE9HLF](#) [XF3M-2915-1B-R100](#) [1658549-1](#) [AYF534065TA](#) [AYF351525](#) [086212040340800+](#) [AYF530365TA](#) [67000-014LF](#) [67000-004LF](#) [006207341915000+](#) [DS1020-19RT1D](#) [67000-003LF](#) [67000-011LF](#) [67000-016LF](#) [HFW14R-2STE9LF](#) [SFV32R-2STBE9HLF](#) [SFW12R-5STE9LF](#) [SFW18R-1STAE9LF](#) [SFW4R-5STE9LF](#) [52807-0430](#) [046283021002868+](#) [THD1015-8CL-SN](#) [67000-006LF](#) [502250-8027](#) [104267-9617](#) [66987-011LF](#) [AYF362535](#) [F0501-T-50-20T-R](#) [F1003-ZV-12-25T-R](#) [HFW8S-2STAE1HLF](#) [67000-008LF](#) [67000-012LF](#) [ECC576069EU](#) [F1002-B-20-20T-R](#)