

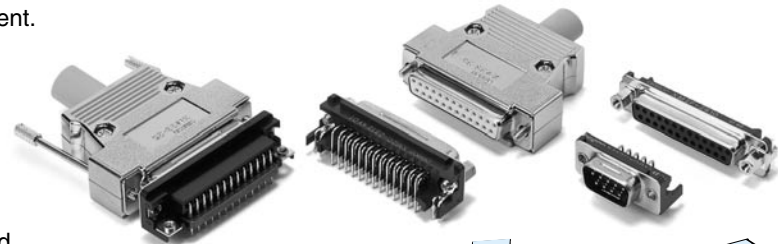
XM2/XM3

D-sub Connectors

D-sub Connectors Ideal for Interfacing with OA Equipment

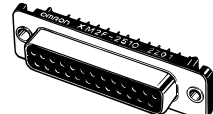

OA:Office Automation

- D-sub Connectors Ideal for Interfacing with OA Equipment.
- Shielded connectors that prevent EMI.
- Noise can be suppressed effectively by using the XM2S Plastic Hood with metallic finish.
- XM3B-F multi-hole ferrite-core models are also available. Use these models to suppress high-frequency noise and save PCB mounting space.
- Compact and tough structure with a metal shell provided.
- A wide variety of mounting brackets and grounding metals are available.

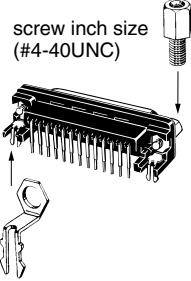
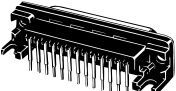


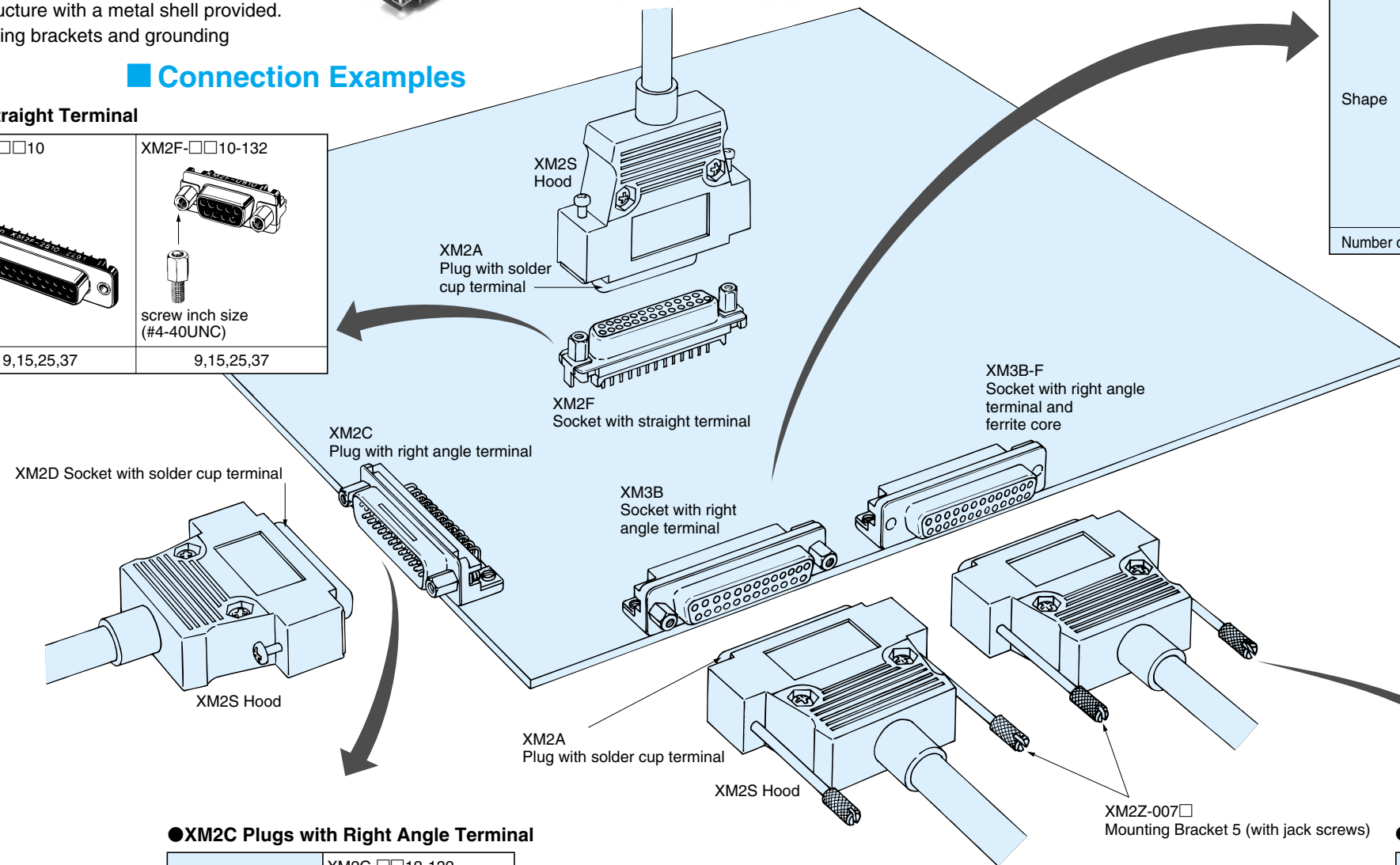
Connection Examples

●XM2F Sockets with Straight Terminal

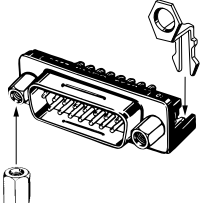
Shape		
Number of contacts	9,15,25,37	9,15,25,37

●XM3B Sockets with Right Angle Terminal

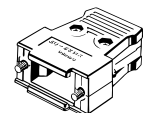
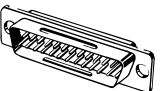
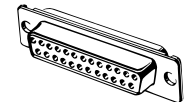
Shape		
Number of contacts	9,15,25,37	9,15,25,37



●XM2C Plugs with Right Angle Terminal

Shape	
Number of contacts	9,15,25,37

●Hood/Solder Cup Terminal

Shape			
Number of contacts	9,15,25,37	9,15,25,37	9,15,25,37

X-ON Electronics

Largest Supplier of Electrical and Electronic Components

Click to view similar products for [D-Sub Backshells](#) category:

Click to view products by [Omron](#) manufacturer:

Other Similar products are found below :

[600X51137X](#) [600X54009X](#) [66241-12A](#) [M85049/6-38N](#) [M85049/86-12N03](#) [M85049/90-13P03](#) [70.350.0636.4](#) [70.350.2435.1](#) [72.350.1035.2](#)
[72.352.2435.1](#) [73.359.4035.3](#) [829472-1](#) [PCS-E20W](#) [970-015-040R011](#) [971-009-030R121](#) [971-009-040R011](#) [971-015-040R011](#) [DPH-B-003](#)
[1437013-9](#) [1484402-8](#) [156-3025-EX](#) [16-500800](#) [165X02659X](#) [165X03329A](#) [165X03399A](#) [165X10259X](#) [165X11359X](#) [165X11759X](#)
[165X11889X](#) [165X11899X](#) [165X13019X](#) [165X13029X](#) [165X13169X](#) [165X13199X](#) [165X13239X](#) [165X13389X](#) [165X13489X](#)
[165X14219X](#) [165X14429X](#) [165X14449X](#) [165X17409X](#) [165X17439X](#) [165X17569X](#) [165X17599X](#) [165X17609X](#) [165X17889X](#)
[165X17979X](#) [L171373](#) [971-025-030R121](#) [300X10989X](#)