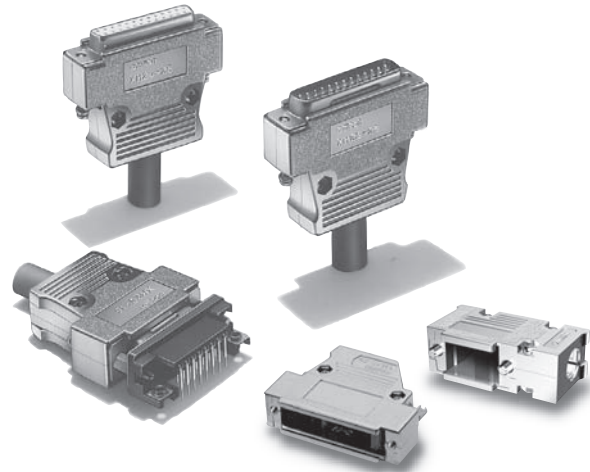


### D-Sub Connector Assembly Hoods That Are Ideal for Office Equipment Interfaces

- Metallized plastic Hood provides excellent noise protection.
- Connectors are available with cables connected horizontally (9-pin and 25-pin models only) to enable using the space behind the Connectors more effectively.

**RoHS Compliant**



### ■ Terminology

#### ● Metallization

Metallization means make plating processing on the plastic hood.

#### ● ESD

Abbreviation of ElectroStatic Discharge

### ■ Hoods

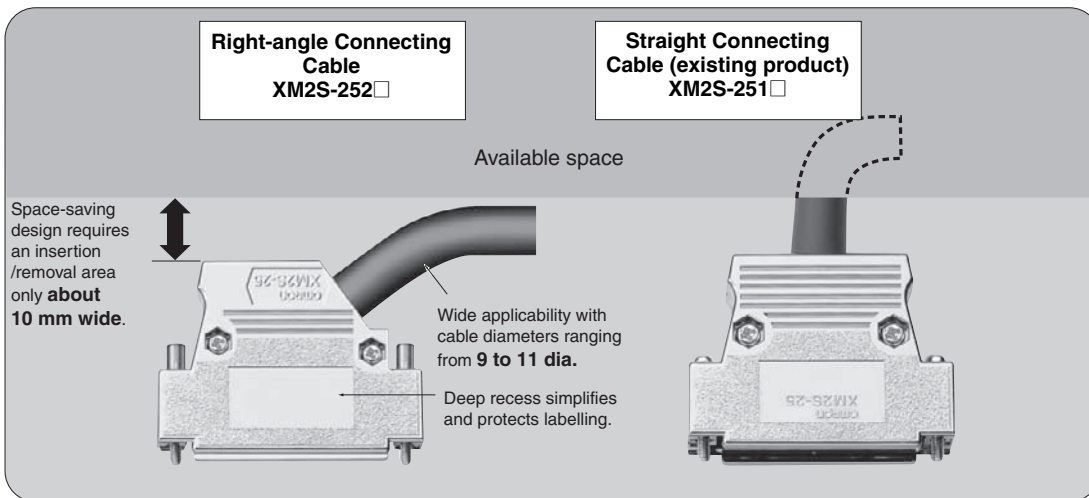
Model	XM2S-□□1□	XM2S-□□2□
Appearance	<p>Hoods</p>	
Reference page	3	4

### ■ Characteristics

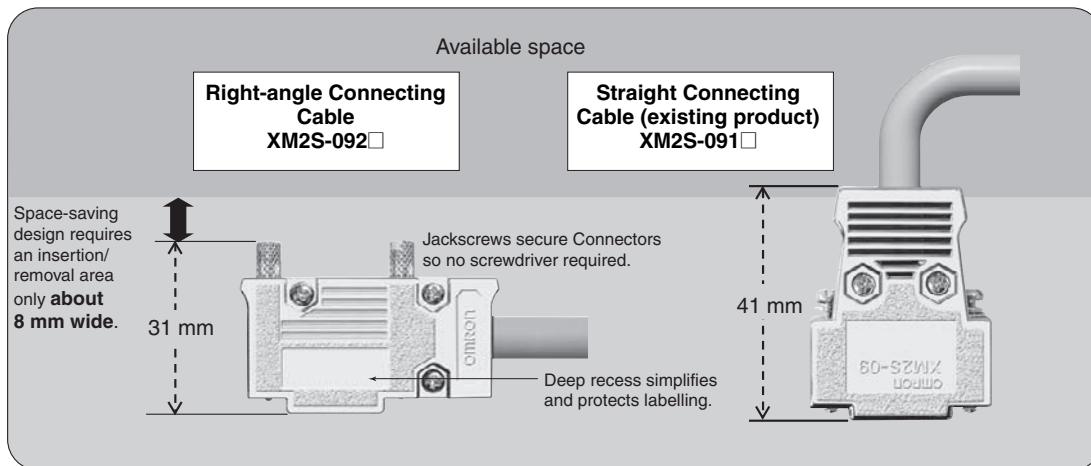
Ambient operating temperature	-25 to 85°C (with no condensation or icing)
-------------------------------	---

## ■ Features

### 25-contact Hoods



### 9-contact Hoods



## ■ Materials and Finish

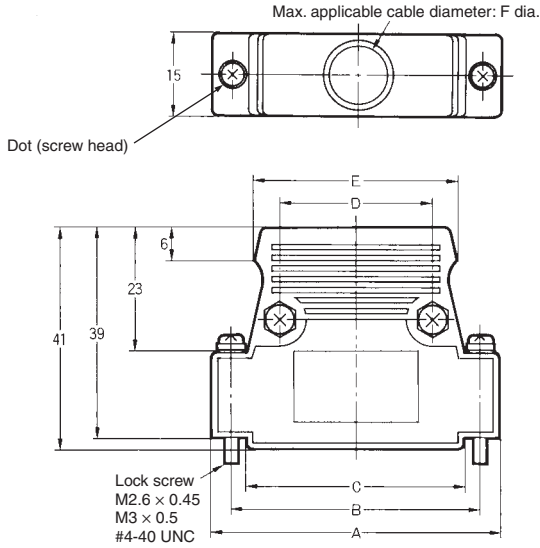
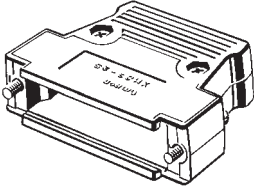
Housing	ABS nickel plated
Cable clamp	Steel/nickel plated
Lock screw	Brass/nickel plated

# XM2S Hood Covers

**■ Dimensions** (The cable bushing, cable clamp, shielded tape and assorted screws are supplied.)

(unit: mm)

- XM2S-□□11  
(M2.6 × 0.45 metric screws)
- XM2S-□□12  
(M3 × 0.5 metric screws)
- XM2S-□□13  
(#4-40 UNC inch screws)



**Dimensions**

Dot shape (Screw head)		
No dot	1 dot	2 dots
⊕	⊕	⊕

No. of contacts	A	B	C	D	E	F
9	32.2	24.99	18.2	13	24	9
15	40.5	33.32	26.5	19	30	10
25	54.0	47.04	40	29	38	11
37	70.5	63.50	57	42	50	13

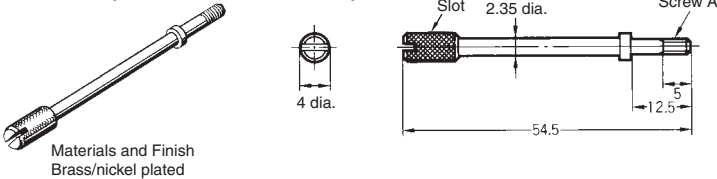
**■ Ordering Information**

Applicable Anchors No. of contacts	Lock screw	M2.6 × 0.45 metric screws (No dot)	M3 × 0.5 metric screws (1 dot)	#4-40 UNC inch screws (2 dots)
		Anchor 1	XM2Z-0001	XM2Z-0002
	Anchor 2	XM2Z-0011	XM2Z-0012	XM2Z-0013
	Anchor 3	XM2Z-0021	XM2Z-0022	XM2Z-0023
9		XM2S-0911	XM2S-0912	XM2S-0913
15		XM2S-1511	XM2S-1512	XM2S-1513
25		XM2S-2511	XM2S-2512	XM2S-2513
37		XM2S-3711	XM2S-3712	XM2S-3713

**Note:** Lock screws are attached to the Hood. Select D-sub Connectors with Anchors or Grounding Fixtures that fit the lock screw of the Hood.

**■ Accessories (Sold Separately)**

- Anchor 5 (For Jackscrews and XM2S-□□1-□)
- XM2Z-0071 (M2.6 × 0.45 metric screws)
- XM2Z-0072 (M3 × 0.5 metric screws)
- XM2Z-0073 (#4-40 UNC inch screws)



**Dimensions**

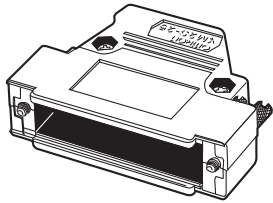
Model	A	slot	slot shape
XM2Z-0071	M2.6 × 0.45	None	
XM2Z-0072	M3 × 0.5	1	
XM2Z-0073	#4-40 UNC	2	

- Note:** 1. Replace the lock screw that comes with the XM2S with Anchor 5.
- 2. Anchor 5 cannot be used with XM2S models that have cables connected horizontally.

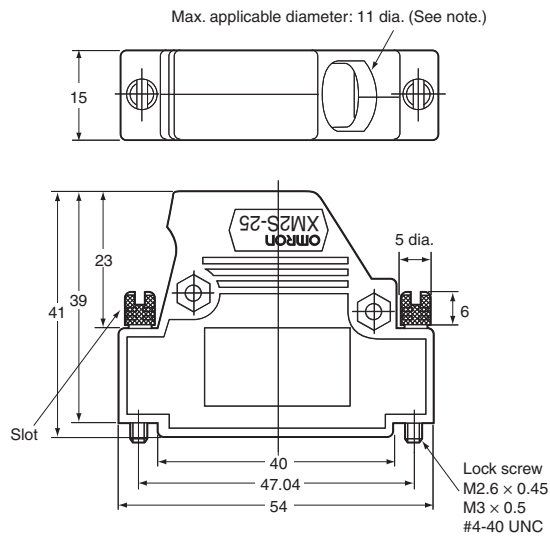
■ Dimensions

(unit: mm)

**25-contact D-sub Connector Assembly Hood with Right-angle Connecting Cable**  
**XM2S-2521 (M2.6 × 0.45 metric screws)**  
**XM2S-2522 (M3 × 0.5 metric screws)**  
**XM2S-2523 (#4-40 UNC inch screws)**

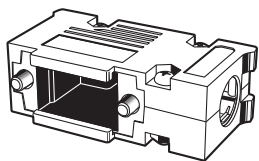


**Note:** The cable bushing, cable clamp, shielded tape and assorted screws are supplied.

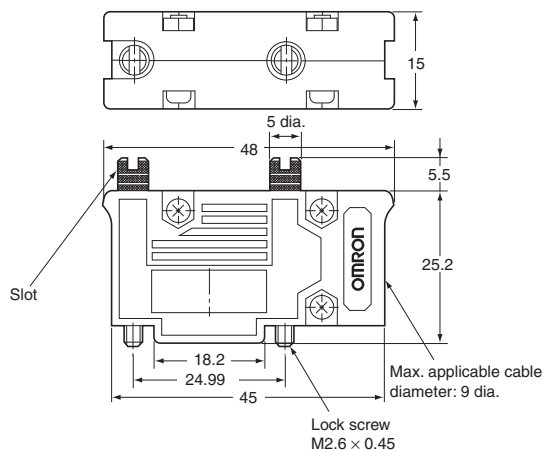


**Note:** The maximum applicable cable diameter is 9 dia if the cable clamp supplied is mounted facing the rear. Do not use a cable bushing in this case.

**9-contact D-sub Connector Assembly Hood with Right-angle Connecting Cable**  
**XM2S-0921 (M2.6 × 0.45 metric screws)**  
**XM2S-0922 (M3 × 0.5 metric screws)**  
**XM2S-0923 (#4-40 UNC inch screws)**



**Note:** The cable bushing, cable clamp, shielded tape and assorted screws are supplied.



■ Ordering Information

Type	Appearance	No. of contacts	Model	Lock screws (See note.)
D-sub Connector Assembly Hood with Right-angle Connecting Cable (nickel plated)		25	XM2S-2521	M2.6 × 0.45 metric screws (No slot)
			XM2S-2522	M3 × 0.5 metric screws (1 slot)
			XM2S-2523	#4-40 UNC inch screws (2 slots)
		9	XM2S-0921	M2.6 × 0.45 metric screws (No slot)
			XM2S-0922	M3 × 0.5 metric screws (1 slot)
			XM2S-0923	#4-40 UNC inch screws (2 slots)

**Note:** Lock screws are attached to the Hood. Select D-sub Connectors with Anchors or Grounding Fixtures that fit the lock screw of the Hood.

Please check each region's Terms & Conditions by region website.

---

## **OMRON Corporation**

**Electronic and Mechanical Components Company**

### **Regional Contact**

#### **Americas**

<https://www.components.omron.com/>

#### **Asia-Pacific**

<https://ecb.omron.com.sg/>

#### **Korea**

<https://www.omron-ecb.co.kr/>

#### **Europe**

<http://components.omron.eu/>

#### **China**

<https://www.ecb.omron.com.cn/>

#### **Japan**

<https://www.omron.co.jp/ecb/>

## X-ON Electronics

Largest Supplier of Electrical and Electronic Components

*Click to view similar products for [Gate Drivers](#) category:*

*Click to view products by [Omron](#) manufacturer:*

Other Similar products are found below :

[00028](#) [00053P0231](#) [8967380000](#) [56956](#) [CR7E-30DB-3.96E\(72\)](#) [57.404.7355.5](#) [LT4936](#) [57.904.0755.0](#) [5801-0903](#) [5803-0901](#) [5811-0902](#)  
[5813-0901](#) [58410](#) [00576P0030](#) [00581P0070](#) [5882900001](#) [00103P0020](#) [00600P0005](#) [00-9050-LRPP](#) [00-9090-RDPP](#) [5951900000](#) [01-](#)  
[1003W-10/32-15](#) [LTI LA6E-1S-WH-RC-FN12VXCR1](#) [0131700000](#) [00-2240](#) [LTP70N06](#) [LVP640](#) [0158-624-00](#) [5J0-1000LG-SIL](#) [020017-13](#)  
[LY1D-2-5S-AC120](#) [LY2-0-US-AC120](#) [LY2-US-AC240](#) [LY3-UA-DC24](#) [00-5150](#) [00576P0020](#) [00600P0010](#) [LZNQ2M-US-DC5](#) [LZNQ2-](#)  
[US-DC12](#) [LZP40N10](#) [00-8196-RDPP](#) [00-8274-RDPP](#) [00-8275-RDNP](#) [00-8609-RDPP](#) [00-8722-RDPP](#) [00-8728-WHPP](#) [00-8869-RDPP](#) [00-](#)  
[9051-RDPP](#) [00-9091-LRPP](#) [00-9291-RDPP](#)