

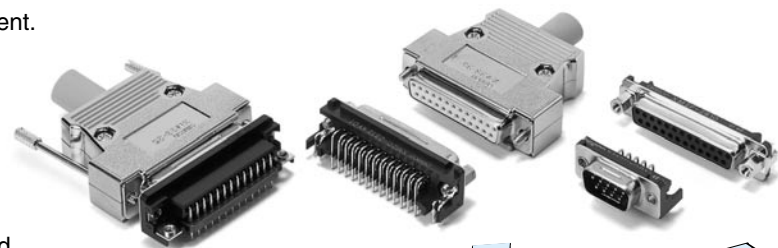
# XM2/XM3

## D-sub Connectors

### D-sub Connectors Ideal for Interfacing with OA Equipment

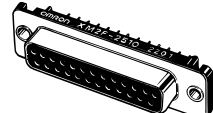

OA:Office Automation

- D-sub Connectors Ideal for Interfacing with OA Equipment.
- Shielded connectors that prevent EMI.
- Noise can be suppressed effectively by using the XM2S Plastic Hood with metallic finish.
- XM3B-F multi-hole ferrite-core models are also available. Use these models to suppress high-frequency noise and save PCB mounting space.
- Compact and tough structure with a metal shell provided.
- A wide variety of mounting brackets and grounding metals are available.

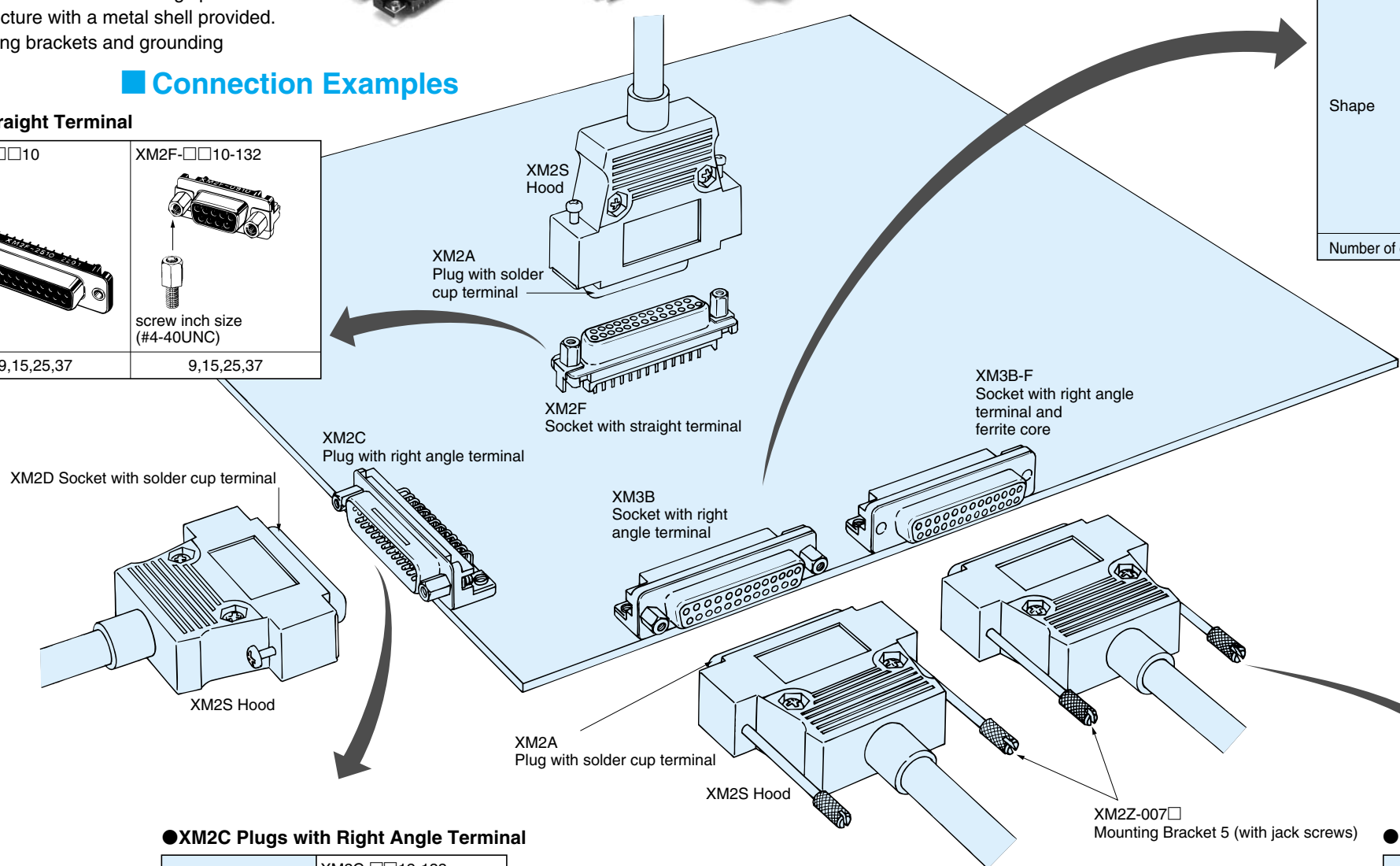


#### Connection Examples


##### ●XM2F Sockets with Straight Terminal

Shape		
Number of contacts	9,15,25,37	9,15,25,37

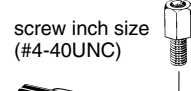
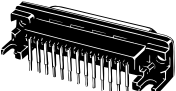
Shape	
Number of contacts	9,15,25,37



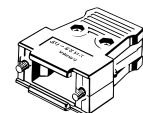
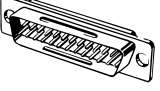
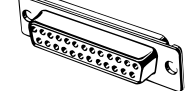
##### ●XM2C Plugs with Right Angle Terminal

Shape	
Number of contacts	9,15,25,37

##### ●XM3B Sockets with Right Angle Terminal

Shape		
Number of contacts	9,15,25,37	9,15,25,37

##### ●Hood/Solder Cup Terminal

Shape			
Number of contacts	9,15,25,37	9,15,25,37	9,15,25,37

## X-ON Electronics

Largest Supplier of Electrical and Electronic Components

*Click to view similar products for [D-Sub Backshells](#) category:*

*Click to view products by [Omron](#) manufacturer:*

Other Similar products are found below :

[173114-0084](#) [173112-1658](#) [600X51137X](#) [600X54009X](#) [66241-12A](#) [M85049/48-1-2](#) [M85049/48-3-5F](#) [M85049/6-38N](#) [M85049/86-12N03](#)  
[70.350.2435.1](#) [72.350.1035.2](#) [72.352.2435.1](#) [73.359.4035.3](#) [799-015TMH07M](#) [799-015TMH08N](#) [FKH1RE](#) [829472-1](#) [F-PHG-1E](#) [F-PHG-3E](#)  
[F-PHG-4E](#) [F-PHR-4E](#) [PCS-E20W](#) [8655MHRA0901KLF](#) [8655MHRA2501KLF](#) [958-009-010R011](#) [970-015-040R011](#) [970-025-040R011](#)  
[971-009-030R121](#) [971-009-040R011](#) [971-015-040R011](#) [971-025-040R011](#) [GS85049/38-25M](#) [975T009-020R121](#) [975T015-020R121](#) [1-](#)  
[21986-2](#) [1-21986-5](#) [DB-20962](#) [DB-C4-J11](#) [DE-C8-J9-F4-1R](#) [DE-C8-J9-F5-1R](#) [DPH-B-003](#) [1437013-9](#) [1484402-8](#) [MS3057-10A](#) [156-3025-](#)  
[EX](#) [MS3417-16C](#) [16-500800](#) [165X02659X](#) [165X03399A](#) [165X10139X](#)