

D-Sub Connectors

XM3

XM3 Series

D-Sub Connectors That Are Ideal for Office Equipment Interfaces

- Shielded against EMI.
- Compact, robust connectors with metal shells.
- Anchors and Grounding Fixtures are available.

RoHS Compliant



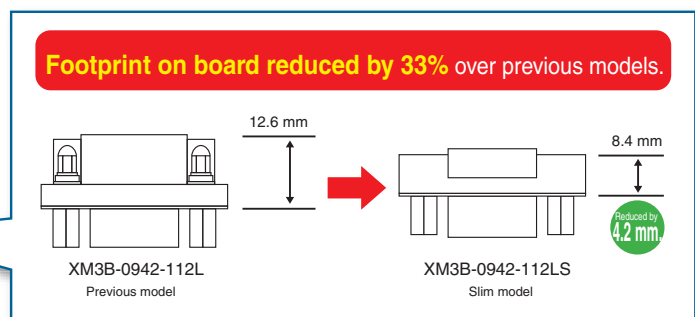
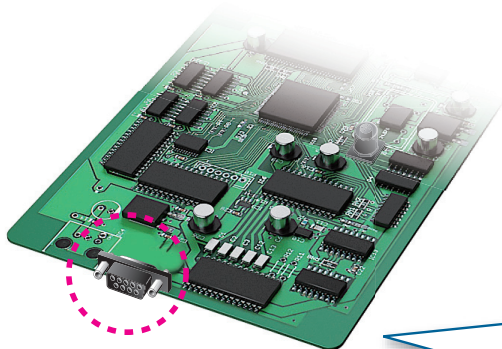
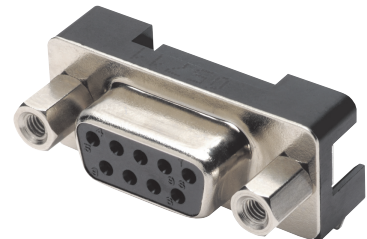
Slim Models Join the XM2-L/XM3-L Series

Refer to page 7 for detailed specifications.

XM3B-LS

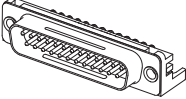
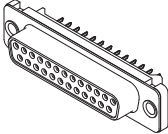
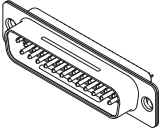
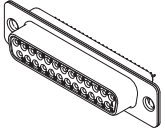
Space-saving 9-pin Slim D-sub Socket Connectors for Boards

- Board mounting area is reduced by 33% (compared with previous models) using depth of 8.4 mm.
- D-sub sockets with nine right-angle DIP terminals.
- Mounting board thickness of either 1.6 mm or 1.0 mm (from difference in lock pin structure).



XM3 Series

Connectors

Model	XM3C	XM3F	XM3A	XM3D
Appearance	Plugs with Right-angle DIP Terminals 	Sockets with Straight DIP Terminals 	Plugs with Solder Cup Terminals 	Sockets with Solder Cup Terminals 

Ratings and Characteristics

Item	Model Plugs with Solder Cup Terminals: XM3A Plugs with Right-angle DIP Terminals: All XM3C models except those with 37 pins XM3C-0922-□□□ XM3C-1522-□□□ XM3C-2522-□□□ Sockets with Solder Cup Terminals: XM3D Sockets with Straight DIP Terminals: XM3F	Plugs with Right-angle DIP Terminals: XM3C models with 37 pins XM3C-3722-□□□
Rated current	5 A	3 A
Rated voltage	300 VAC	
Contact resistance	15 mΩ max. (at 20 mVDC, 100 mA max.)	
Insulation resistance	1,000 MΩ min. (at 500 V DC)	
Withstand voltage	1,000 VAC for 1 min (leakage current: 1 mA max.)	
Total insertion force	Number of pins × 3.33 N max	
Individual pull-out force	0.29 N min. (for gauge diameter of 0.99 mm)	
Insertion durability	200 times	
Operating temperature	-55°C to 105°C (with no icing)	
Shield effectiveness (electrical field method)	Mounted in panel: 25 dB min. (30 to 900 MHz) Mounted on board: 20 dB min. (30 to 300 MHz)	

Materials and Finish

Item	Model	XM3C	XM3F	XM3A	XM3D
Housing		Fiber-glass reinforced PBT resin (UL94V-0)/black		Fiber-glass reinforced PBT resin (UL94V-0)/Milky white	
Contacts	Mating end	Phosphor bronze/nickel base, gold plated		Bronze/nickel base, gold plated	Phosphor bronze/nickel base, gold plated
	Terminals	Phosphor bronze/nickel base, tin plated		Bronze/nickel base, tin plated	Phosphor bronze/nickel base, tin plated
Shell		Steel/nickel			

Applicable Wires

The applicable wires for solder cup terminals are AWG 22 to 28 (solid or stranded).

XM3C Plugs with Right-angle DIP Terminals

Model Number Legend

XM3C-□□22-□□□
 1 2 3

1 Anchor Type

- 1: Anchor 2
- 5: No anchors

2 Anchor Screw Specifications

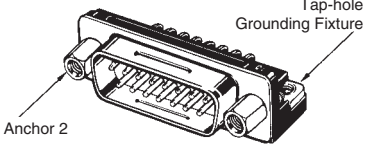
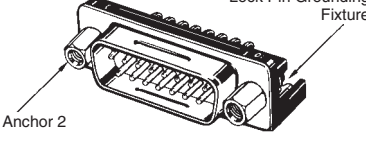
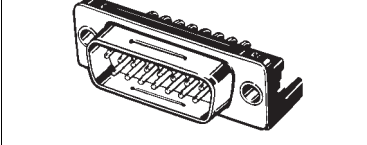
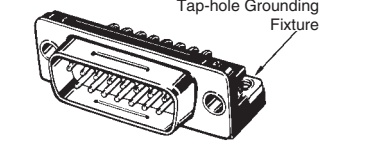
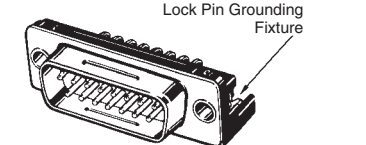
- 1: M2.6 x 0.45 metric screws
- 3: Inch screws
- 0: No anchors

3 Grounding Fixture

- 1: Tap-hole Grounding Fixture
- 2: Lock Pin Grounding Fixture

Note: If 1, 2, or 3 are omitted in the model number, then no Anchor or Grounding Fixture is included.

Ordering Information

Appearance	Anchor 2 and Tap-hole Grounding Fixture	Anchor 2 and Lock Pin Grounding Fixture	No Anchor or Grounding Fixture	Minimum ordering quantity (pieces)
				
Accessories	Anchor 2: XM2Z-0011 (M2.6 x 0.45 metric screws)		---	
No. of contacts	Tap-hole Grounding Fixture	Lock Pin Grounding Fixture	---	
9	XM3C-0922-111	XM3C-0922-112	XM3C-0922	90
15	XM3C-1522-111	XM3C-1522-112	XM3C-1522	70
25	XM3C-2522-111	XM3C-2522-112	XM3C-2522	50
37	XM3C-3722-111	XM3C-3722-112	XM3C-3722	40
Appearance	No Anchor and Tap-hole Grounding Fixture	No Anchor and Lock Pin Grounding Fixture	Minimum ordering quantity (pieces)	
				
Accessories	No anchors			
No. of contacts	Tap-hole Grounding Fixture	Lock Pin Grounding Fixture		
9	XM3C-0922-501	XM3C-0922-502	90	
15	XM3C-1522-501	XM3C-1522-502	70	
25	XM3C-2522-501	XM3C-2522-502	50	
37	XM3C-3722-501	XM3C-3722-502	40	

Note: Also available as standard models are the XM3C-□□22-111/-112 with Anchor 2 (M 2.6 x 0.45) and Grounding Fixture, as well as the XM3C-□□22-501/502 with Grounding Fixture and no Anchor. The enclosed Tap-hole Grounding Fixture is two M3 x 0.5, and the Lock Pin Grounding Fixture is M3 x 0.5 on the Anchor side.

■Dimensions

(Unit: mm)

●Right-angle DIP Terminals

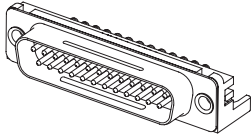
XM3C-□□22 (No Anchor or Grounding Fixture)

XM3C-□□22-501 (No Anchor, Tap-hole Grounding Fixture Included)

XM3C-□□22-502 (No Anchor, Long Pin Grounding Fixture Included)

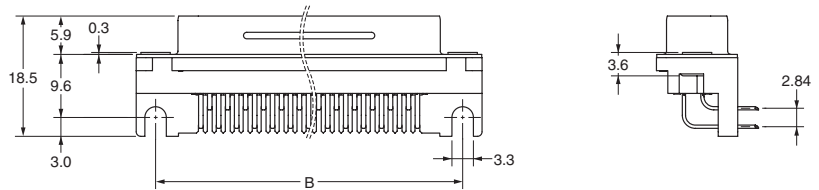
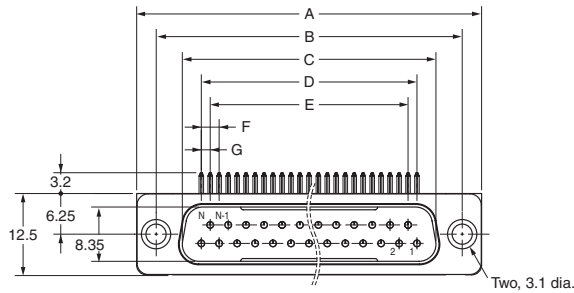
XM3C-□□22-111 (Anchor 2, Tap-hole Grounding Fixture Included)

XM3C-□□22-112 (Anchor 2, Long Pin Grounding Fixture Included)



The above illustration is for the 25-pin model (no Anchor or Grounding Fixture).

Note: The XM3C is produced based on JIS X5101. The pin pitch is in a mixed arrangement of 2.77 mm and 2.74 mm following JIS standards (for 25-pin and 37-pin models). A uniform pitch of 2.76 mm, however, is recommended for the mounting holes. A board processed using a pin pitch of 2.76 mm will have sufficient margin and pose no practical problems.



**Mounting Holes
(t=1.6mm, Bottom View)**

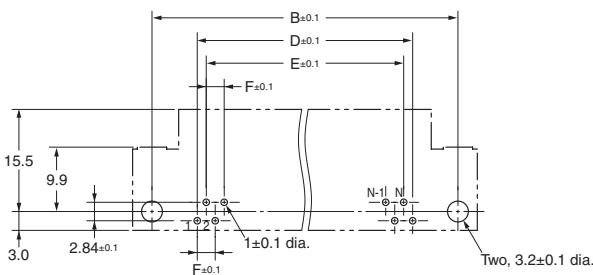
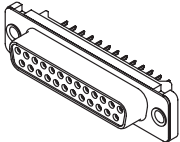
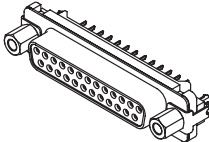


Table of Dimensions

Dimensions (mm)	A	B	C	D	E	F	G
No. of contacts							
9	30.8	24.99	16.91	10.96	8.22	2.74	1.37
15	39.1	33.32	25.25	19.18	16.44	2.74	1.37
25	53.0	47.04	38.96	33.12	30.36	2.76	1.38
37	69.3	63.50	55.42	49.68	46.92	2.76	1.38

XM3F Sockets with Straight DIP Terminals

Ordering Information

Appearance	No Anchor or Grounding Fixture	Anchor and Lock Pin Grounding Fixture	Minimum ordering quantity (pieces)
			
No. of contacts			
9	XM3F-0920	XM3F-0920-112	90
15	XM3F-1520	XM3F-1520-112	70
25	XM3F-2520	XM3F-2520-112	50
37	XM3F-3720	XM3F-3720-112	40

Dimensions

(Unit: mm)

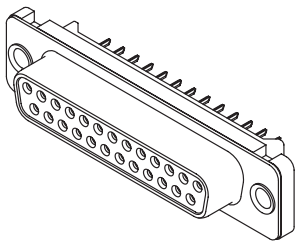
●Straight DIP Terminals

XM3F-□□20

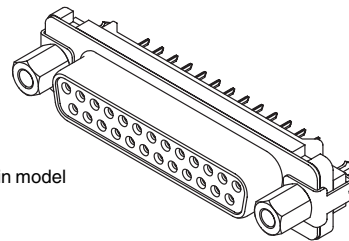
(No Anchor or Grounding Fixture)

XM3F-□□20-112

(Anchor, Long Pin Grounding Fixture Included)



The illustration on the left is for the 25-pin model (no Anchor or Grounding Fixture).



The illustration on the left is for the 25-pin model (Anchor and Grounding Fixture).

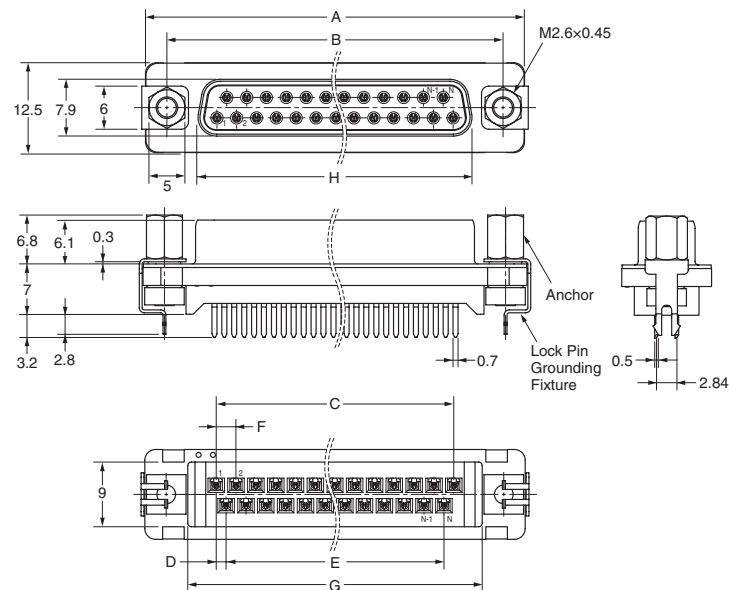
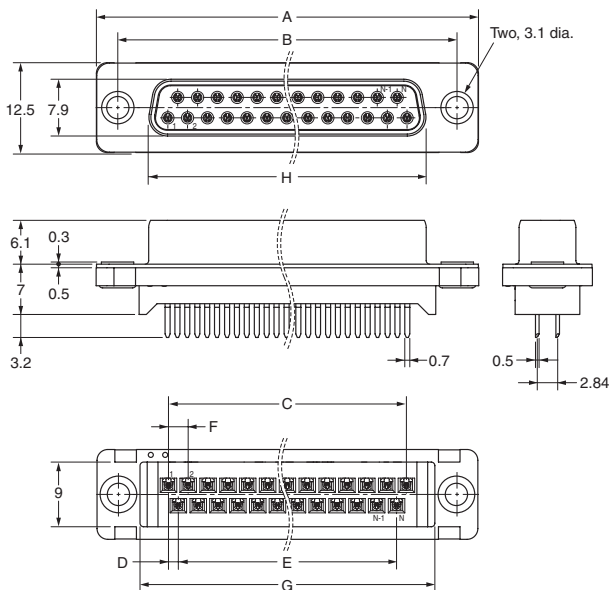
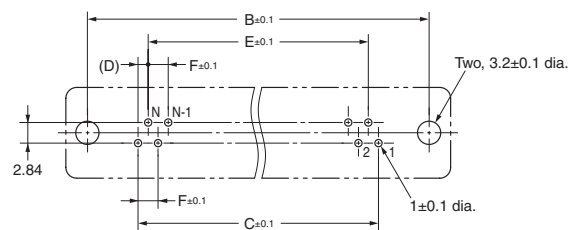


Table of Dimensions

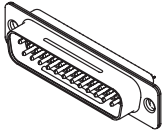
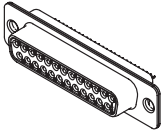
Dimensions (mm)	A	B	C	D	E	F	G	H
No. of contacts								
9	30.7	24.99	10.98	1.37	8.22	2.74	19.00	16.33
15	39.0	33.32	19.20	1.37	16.44	2.74	27.12	24.66
25	52.9	47.04	33.12	1.38	30.36	2.76	41.04	38.38
37	69.2	63.50	49.68	1.38	46.92	2.76	57.60	54.84

Mounting Holes
(t=1.6mm, Bottom View)



XM3A Plugs with Solder Cup Terminals XM3D Sockets with Solder Cup Terminals

Ordering Information

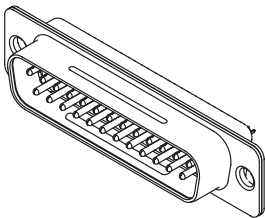
Appearance	Plug	Socket	Minimum ordering quantity (pieces)
No. of contacts			
9	XM3A-0921	XM3D-0921	50
15	XM3A-1521	XM3D-1521	
25	XM3A-2521	XM3D-2521	
37	XM3A-3721	XM3D-3721	

Dimensions

(Unit: mm)

Plugs with Solder Cup Terminals

XM3A-□□21



Note: The illustration above is for a 25-pin model.

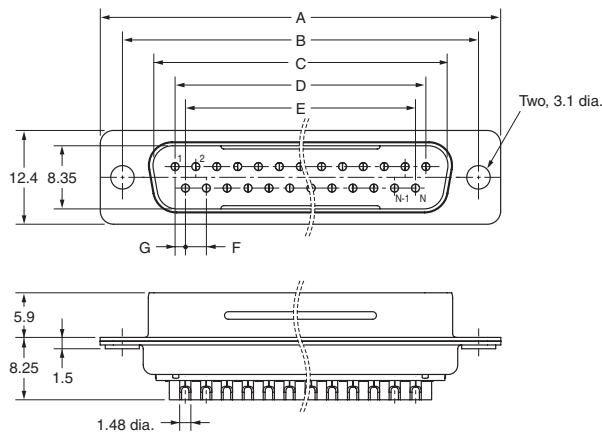
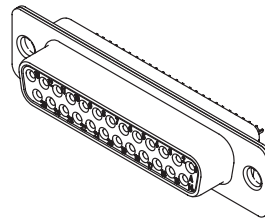


Table of Dimensions (XM3A)

Dimensions (mm)	A	B	C	D	E	F	G
No. of contacts							
9	30.7	24.99	16.91	10.96	8.22	2.74	1.37
15	39.0	33.32	25.25	19.18	16.44	2.74	1.37
25	52.9	47.04	38.96	33.12	30.36	2.76	1.38
37	69.2	63.50	55.42	49.68	46.92	2.76	1.38

Sockets with Solder Cup Terminals

XM3D-□□21



Note: The illustration above is for a 25-pin model.

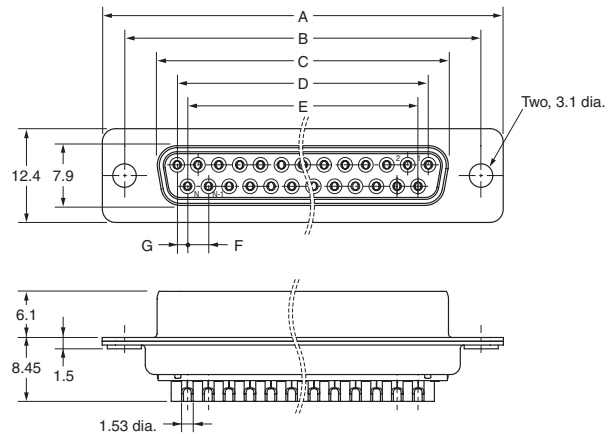


Table of Dimensions (XM3D)

Dimensions (mm)	A	B	C	D	E	F	G
No. of contacts							
9	30.7	24.99	16.33	10.96	8.22	2.74	1.37
15	39.0	33.32	24.66	19.18	16.44	2.74	1.37
25	52.9	47.04	38.38	33.12	30.36	2.76	1.38
37	69.2	63.50	54.84	49.68	46.92	2.76	1.38

XM3B-LS Sockets with Right-angle DIP Terminals

■ Ratings and Characteristics

Rated current	3 A
Rated voltage	300 VAC
Contact resistance	20 mΩ max. (at 20 mVDC, 100 mA max.)
Insulation resistance	1,000 MΩ min. (at 500 VDC for 1 min)
Withstand voltage	1,000 VAC for 1 min (leakage current: 1 mA max.)
Insertion durability	100 times
Operating temperature	-25 to 105°C (with no condensation or icing)

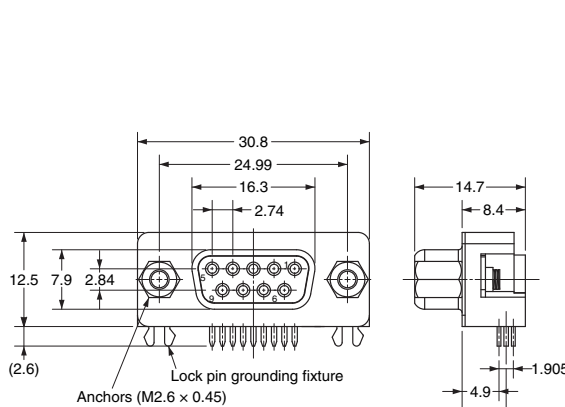
■ Materials and Finish

Housing	Fiber-glass reinforced PBT resin (UL94V-0)/ black
Contacts	Phosphor bronze/nickel base, flash gold plated
Shell	Steel/nickel plated
Anchors	Stainless steel
Lock pin grounding fixture	Brass/tin plated

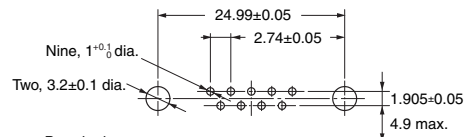
■ Dimensions

(Unit: mm)

XM3B-0942-112LS

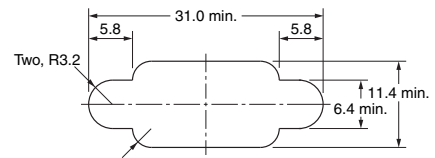


Mounting Holes (BOTTOM VIEW)



Note: Applicable board thickness: 1.6 or 1.0 mm.

Panel Cutout

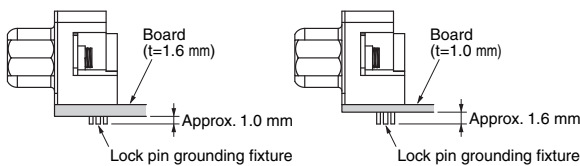


Note: Applicable panel thickness is 1.2 mm max.

■ Precautions

Precautions for Correct Use

- Insert the Connector into the board and then simultaneously dip-solder the Connector terminals and lock pins to the board.



● Automatic Soldering

Automated Soldering Conditions (Jet Flow)

- (1) Soldering temperature: 250 ±5°C
- (2) Continuous soldering time: 5 ±1 s max.

Please check each region's Terms & Conditions by region website.

OMRON Corporation

Electronic and Mechanical Components Company

Regional Contact

Americas

<https://www.components.omron.com/>

Asia-Pacific

<https://ecb.omron.com.sg/>

Korea

<https://www.omron-ecb.co.kr/>

Europe

<http://components.omron.eu/>

China

<https://www.ecb.omron.com.cn/>

Japan

<https://www.omron.co.jp/ecb/>

X-ON Electronics

Largest Supplier of Electrical and Electronic Components

Click to view similar products for [D-Sub Micro-D Connectors](#) category:

Click to view products by [Omron](#) manufacturer:

Other Similar products are found below :

[M243082311F](#) [M2430834F](#) [M24308/4-6F](#) [65-1920-15](#) [M83513/01-HN](#) [M83513/03-A10N](#) [M83513/03-B14C](#) [M83513/03-D09C](#) [M83513/03-D11N](#) [M83513/03-G02N](#) [M83513/03-G05N](#) [M83513/03-G08C](#) [M83513/03-G09N](#) [M83513/03-G12N](#) [M83513/03-H13N](#) [M83513/04-E15N](#) [M83513/04-G04C](#) [M83513/10-E01NP](#) [M83513/13-B01NP](#) [M83513/13-C01NN](#) [M83513/16-A01CP](#) [M83513/22-D01NP](#) [M83513/25-B01NP](#) [6R2004A30F015](#) [6R4006A28A120](#) [703006A13F060](#) [704002A03F200](#) [705001A13F120](#) [7-1532020-5](#) [748567-1-P](#) [MDB1-31SH003](#) [MDM-15PBS-L58](#) [MDM-15PCBRM7T](#) [MDM-15PH003B-A174](#) [75-068624-59S](#) [MDM-15PH034B](#) [MDM-15SH001L](#) [MDM-15SH004B](#) [MDM-21PH003K](#) [MDM-25PH003B-A174](#) [MDM-25PHW01F-A174](#) [MDM-37PH006L-A174](#) [MDM-37PH048M5-A174](#) [MDM-37SCBRP-A174](#) [MDM-51PBS-L56](#) [MDM-51PSF](#) [MDM-51SH003M7](#) [MDM-51SSM7-A174](#) [MDM-9PBSP-L58](#) [MDM-9PH003M7](#)