

Applicable to ISO 7816 Compatible IC Cards

- Utilizes standard IC card contact dimensions
- Button-style for extremely space-constrained applications
- Available with or without card detect switch
- Surface mount directly to PCB



## Ordering Information

Magnetic tracks supported (R, R/W)					Item						Part Number
1	2	3	Center	JISII	Number of pins	Interface	Detect switch	Cable	Cover		
—	—	—	—	—	8-pin	Contact	No	No	No	<b>XR7A-0835-1</b>	
—	—	—	—	—	6-pin	Contact	Yes	No	No	<b>XR7A-0635-2</b>	

## Specifications

### ■ RATINGS/CHARACTERISTICS

Part number	XR7A-0835-1	XR7A-0635-2
Type	Module type	Module type (with card detector switch)
Number of poles	8	6 + 2 switch poles (normally open)
Terminal construction	SMT terminals	
Rated current	0.5 A	
Contact resistance	100 mΩ max. (at 20 mVDC, 100 mA max.)	
Insulation resistance	1,000 MΩ min. (at 500 VDC)	
Withstand voltage	500 VAC for 1 min. (leakage current 1 mA max.)	
Insertion durability	100,000 times	
Operating temperature	-40°C to 90°C (-40°F to 194°F) No icing at low temperature	

## ■ MATERIALS/FINISH

Part number	XR7A-0835-1	XR7A-0635-2
	Module type	Module type (with card detector switch)
Base	Fiberglass-reinforced PPS (UL94V-0)/black	Fiberglass-reinforced LCP (UL94V-0)/black
Case	---	
Contact connector	Phosphor bronze/nickel base, gold plated	
Contact terminal	Phosphor bronze/nickel base, tin alloy plated	
Switch contact connector	---	Phosphor bronze/nickel base, gold plated
Switch contact terminal	---	Phosphor bronze/nickel base, tin alloy plated

Note: XR7A IC card contacts are compatible with IC Cards conforming to ISO 7816 contact dimensions.

## ■ RECOMMENDED REFLOW CONDITIONS

Preheating temperature	150°C ±10°C (302°F ±50°F)
Preheating time	60 to 120 s
Soldering temperature	200°C to 240°C (392°F to 464°F)
Soldering time	30 s max.

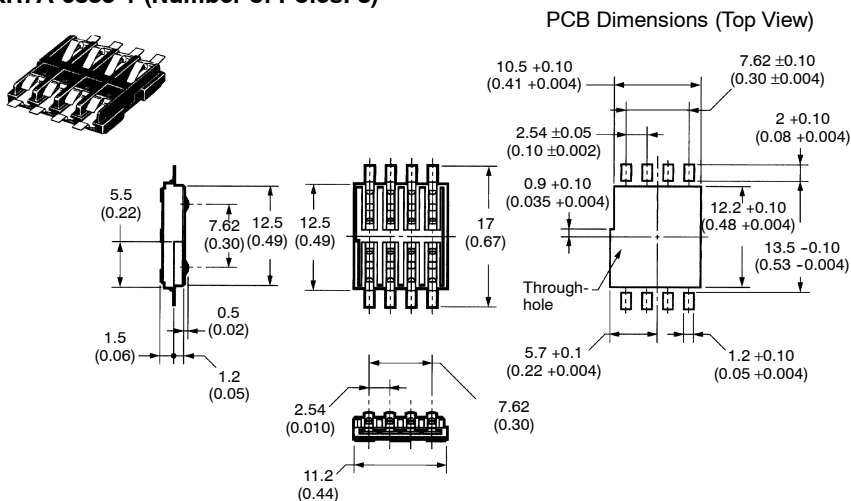
Note: The soldering time is 10 s max. when the soldering temperature is 240°C (464°)

## Dimensions

Unit: mm (inch)

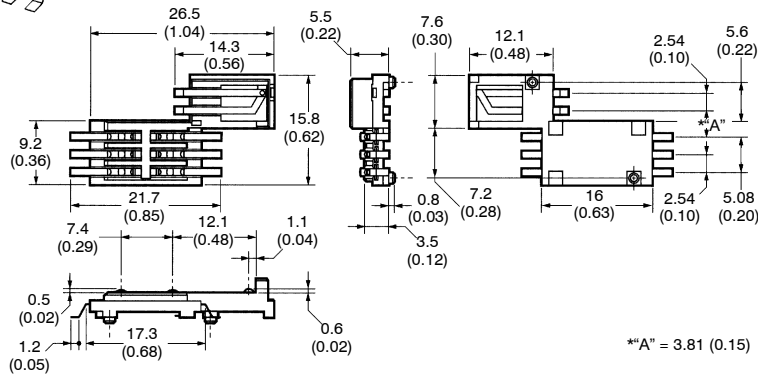
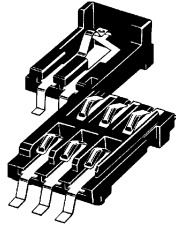
### ■ MODULE TYPE

#### XR7A-0835-1 (Number of Poles: 8)



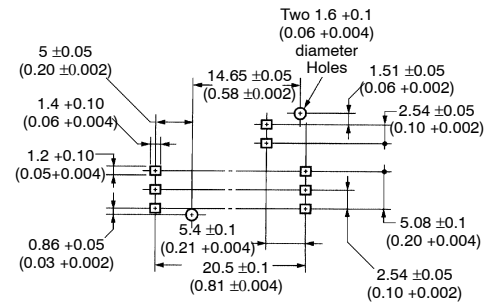
■ MODULE TYPE WITH CARD DETECTOR SWITCH

XR7A-0635-2 (Number of Poles: 6 + 2 Switch Poles)



\*\*A" = 3.81 (0.15)

PCB Dimensions (Top View)



**NOTE: DIMENSIONS SHOWN ARE IN MILLIMETERS. To convert millimeters to inches divide by 25.4.**

**OMRON**<sup>®</sup>

**OMRON ELECTRONICS, INC.**

One East Commerce Drive  
Schaumburg, IL 60173

**1-800-55-OMRON**

**OMRON CANADA, INC.**

885 Milner Avenue  
Scarborough, Ontario M1B 5V8

**416-286-6465**

## X-ON Electronics

Largest Supplier of Electrical and Electronic Components

*Click to view similar products for [DIP Switches/SIP Switches](#) category:*

*Click to view products by [Omron](#) manufacturer:*

Other Similar products are found below :

[78M03S](#) [79B10T](#) [8136-475G4T](#) [G7G-1A2-CB-DC12](#) [A7SS-M](#) [DBP 2110](#) [DBP 2112](#) [DBS1008](#) [DHN02FTVTR](#) [DHN10T](#) [DHS108](#)  
[DPL08TN](#) [DRD16CSE04](#) [DRR60016](#) [DRS4016](#) [BD06E](#) [1825008-1](#) [1825444-1](#) [25.350.0653.0](#) [LA2-DC12](#) [SBS 5004 TG](#) [SDA10H1BDA](#)  
[97R06ST](#) [A2C-2A5](#) [1825444-7](#) [ADE08SA04](#) [ADE12S04](#) [2161391-1](#) [2-1825058-8](#) [CCVA 2.5/ 4-G-5.08](#) [P26THRR32](#) [25.330.0653.1](#)  
[25.352.0353.0](#) [MDG305ST](#) [IKN0600000](#) [IKN0800000](#) [LA2-002-DC24](#) [DBP2008](#) [DBS1003](#) [DBS2008](#) [438872000](#) [DRD10CRAE04](#)  
[DRS1604](#) [DSR02T](#) [DSS 208 N](#) [5-1825033-1](#) [106-SDN06-EV](#) [1-1437507-6](#) [E2FMX2D1M1TGJ03M](#) [E3ZMCT81M1TJ03M](#) [NDI10H](#)