

Connect Connector-Terminal Block Conversion Units (XW2□) to I/O Units for Programmable Controllers with one touch.



Ordering Information

For 32-point, Connector-type I/O Units for Programmable Controllers

XW2Z-□□□A

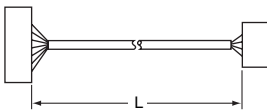
(For XW2D-20G6/XW2B-20G□/-40G5-T/-20G5-D/
XW2C-20G5-IN16/20G6-IO16/XW2E-20G5-IN16/
XW2F-20G7-IN16/-OUT16/XW2N-20G8-IN16)

| Cable length L (m) * | Model |
|----------------------|-----------|
| 0.5 | XW2Z-050A |
| 1.0 | XW2Z-100A |
| 1.5 | XW2Z-150A |
| 2.0 | XW2Z-200A |
| 3.0 | XW2Z-300A |
| 5.0 | XW2Z-500A |
| 10.0 | XW2Z-010A |
| 15.0 | XW2Z-15MA |
| 20.0 | XW2Z-20MA |

XW2Z-□□□AU (For XW2D-20C6)

| Cable length L (m) * | Model |
|----------------------|------------|
| 0.5 | XW2Z-050AU |
| 1.0 | XW2Z-100AU |
| 1.5 | XW2Z-150AU |
| 2.0 | XW2Z-200AU |
| 3.0 | XW2Z-300AU |
| 5.0 | XW2Z-500AU |

*Cable length L (m)

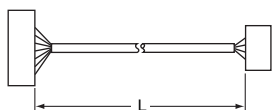


For 32-point, Connector-type I/O Units (Group 2) for Programmable Controllers For 64-point, Connector-type I/O Units for Programmable Controllers

XW2Z-□□□B (For XW2D-40G6/XW2B-40G□)

| Type | Cable length L (m) * | Model |
|----------------|----------------------|--------------|
| Normal wiring | 0.5 | XW2Z-050B |
| | 1.0 | XW2Z-100B |
| | 1.5 | XW2Z-150B |
| | 2.0 | XW2Z-200B |
| | 3.0 | XW2Z-300B |
| | 5.0 | XW2Z-500B |
| | 10.0 | XW2Z-010B |
| | 15.0 | XW2Z-15MB |
| Reverse wiring | 0.5 | XW2Z-050B-R1 |
| | 1.0 | XW2Z-100B-R1 |
| | 1.5 | XW2Z-150B-R1 |
| | 2.0 | XW2Z-200B-R1 |
| | 3.0 | XW2Z-300B-R1 |
| | 5.0 | XW2Z-500B-R1 |

*Cable length L (m)



XW2Z-□□□BU (For XW2D-40C6)

| Type | Cable length L (m) * | Model |
|---------------|----------------------|------------|
| Normal wiring | 0.5 | XW2Z-050BU |
| | 1.0 | XW2Z-100BU |
| | 1.5 | XW2Z-150BU |
| | 2.0 | XW2Z-200BU |
| | 3.0 | XW2Z-300BU |
| | 5.0 | XW2Z-500BU |

XW2Z-□□□B-A (For XW2F-40G7-IN32)

| Type | Cable length L (m) * | Model |
|---------------|----------------------|-------------|
| Normal wiring | 1.0 | XW2Z-100B-A |
| | 1.5 | XW2Z-150B-A |
| | 2.0 | XW2Z-200B-A |
| | 3.0 | XW2Z-300B-A |
| | 5.0 | XW2Z-500B-A |

XW2Z-□□□B-B (For XW2F-40G7-OUT32)

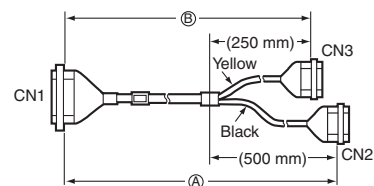
| Type | Cable length L (m) * | Model |
|---------------|----------------------|-------------|
| Normal wiring | 1.0 | XW2Z-100B-B |
| | 1.5 | XW2Z-150B-B |
| | 2.0 | XW2Z-200B-B |
| | 3.0 | XW2Z-300B-B |
| | 5.0 | XW2Z-500B-B |

For 32-point, Connector-type Input Units (Group 2) for Programmable Controllers For 64-point, Connector-type Input Units for Programmable Controllers

XW2Z-□□□D

| Cable length L (m) * | | Model |
|----------------------|-------|-----------|
| (A) | (B) | |
| 1.0 | 0.75 | XW2Z-100D |
| 1.5 | 1.25 | XW2Z-150D |
| 2.0 | 1.75 | XW2Z-200D |
| 3.0 | 2.75 | XW2Z-300D |
| 5.0 | 4.75 | XW2Z-500D |
| 10.0 | 9.75 | XW2Z-010D |
| 15.0 | 14.75 | XW2Z-15MD |
| 20.0 | 19.75 | XW2Z-20MD |

*Cable length L (m)

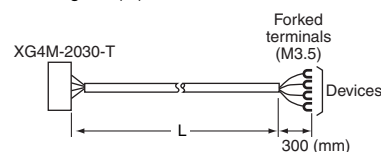


20-pole Cable with Discrete-wire Press-fit Terminals

XW2Z-□□□F

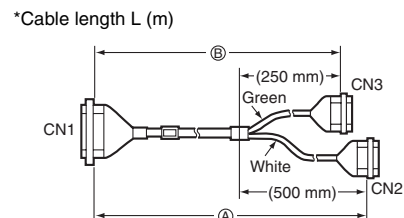
| Cable length L (m) * | Model |
|----------------------|-----------|
| 1.0 | XW2Z-100F |
| 1.5 | XW2Z-150F |
| 2.0 | XW2Z-200F |
| 3.0 | XW2Z-300F |
| 5.0 | XW2Z-500F |
| 10.0 | XW2Z-010F |
| 15.0 | XW2Z-15MF |
| 20.0 | XW2Z-20MF |

*Cable length L (m)



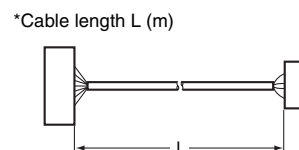
For 32-point, Connector-type Output Units (Group 2) for Programmable Controllers For 64-point, Connector-type Output Units for Programmable Controllers XW2Z-□□□L

| Cable length L (m) * | | Model |
|----------------------|-------|-----------|
| (A) | (B) | |
| 1.0 | 0.75 | XW2Z-100L |
| 1.5 | 1.25 | XW2Z-150L |
| 2.0 | 1.75 | XW2Z-200L |
| 3.0 | 2.75 | XW2Z-300L |
| 5.0 | 4.75 | XW2Z-500L |
| 10.0 | 9.75 | XW2Z-010L |
| 15.0 | 14.75 | XW2Z-15ML |
| 20.0 | 19.75 | XW2Z-20ML |



For 96-point, Connector-type I/O Units for Programmable Controllers XW2Z-□□□H-1 (For CS1-series I/O Unit Connection)

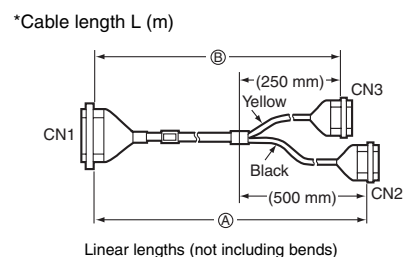
| Special Connecting Cables * | | Model |
|-----------------------------|--|--------------|
| Cable length L (m) | | |
| 0.5 | | XW2Z-050H-1 |
| 1.0 | | XW2Z-100H-1 |
| 1.5 | | XW2Z-150H-1 |
| 2.0 | | XW2Z-200H-1 |
| 3.0 | | XW2Z-300H-1 |
| 5.0 | | XW2Z-500H-1 |
| 7.0 | | XW2Z-700H-1 |
| 10.0 | | XW2Z-010H-1 |
| 1.0 | | XW2Z-100H-1G |
| 1.5 | | XW2Z-150H-1G |
| 2.0 | | XW2Z-200H-1G |
| 3.0 | | XW2Z-300H-1G |
| 5.0 | | XW2Z-500H-1G |



*Up to two cables required for each Programmable Controller I/O Unit.
Note: CS1 signal names connected to the XW2B/D are different for the XW2Z-□□□H-□ and the XW2Z-□□□H-□G.
Refer to the I/O Signal Tables on page 9.

XW2Z-□□□H-2 (For CS1-series I/O Unit Connection)

| Special Connecting Cables * | | Model |
|-----------------------------|------|--------------|
| Cable length L (m) | | |
| (A) | (B) | |
| 1.0 | 0.75 | XW2Z-100H-2 |
| 1.5 | 1.25 | XW2Z-150H-2 |
| 2.0 | 1.75 | XW2Z-200H-2 |
| 3.0 | 2.75 | XW2Z-300H-2 |
| 5.0 | 4.75 | XW2Z-500H-2 |
| 10.0 | 9.75 | XW2Z-010H-2 |
| 1.0 | 0.75 | XW2Z-100H-2G |
| 1.5 | 1.25 | XW2Z-150H-2G |
| 2.0 | 1.75 | XW2Z-200H-2G |
| 3.0 | 2.75 | XW2Z-300H-2G |
| 5.0 | 4.75 | XW2Z-500H-2G |



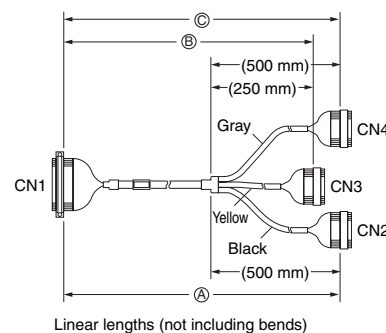
*Up to two cables required for each Programmable Controller I/O Unit.
Note: CS1 signal names connected to the XW2B/D are different for the XW2Z-□□□H-□ and the XW2Z-□□□H-□G.
Refer to the I/O Signal Tables on page 9.

XW2Z-□□□H-3 (For CS1-series I/O Unit Connection)

| Special Connecting Cables * | | | |
|-----------------------------|------|------|-------------|
| Cable length L (m) | | | Model |
| A | B | C | |
| 1.0 | 0.75 | 1.0 | XW2Z-100H-3 |
| 1.5 | 1.25 | 1.5 | XW2Z-150H-3 |
| 2.0 | 1.75 | 2.0 | XW2Z-200H-3 |
| 3.0 | 2.75 | 3.0 | XW2Z-300H-3 |
| 5.0 | 4.75 | 5.0 | XW2Z-500H-3 |
| 10.0 | 9.75 | 10.0 | XW2Z-010H-3 |

*Up to two cables required for each Programmable Controller I/O Unit.

*Cable length L (m)



For 32-point, MIL Connector-type I/O Units for Programmable Controllers

XW2Z-□□□K

| Cable length L (m) * | Model |
|----------------------|-----------|
| 0.25 | XW2Z-C25K |
| 0.5 | XW2Z-C50K |
| 1.0 | XW2Z-100K |
| 1.5 | XW2Z-150K |
| 2.0 | XW2Z-200K |
| 3.0 | XW2Z-300K |
| 5.0 | XW2Z-500K |

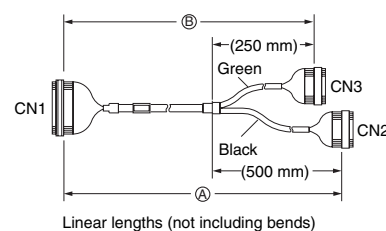
*Cable length L (m)



XW2Z-□□□N

| Cable length L (m) * | | Model |
|----------------------|-------|-----------|
| A | B | |
| 1.0 | 0.75 | XW2Z-100N |
| 1.5 | 1.25 | XW2Z-150N |
| 2.0 | 1.75 | XW2Z-200N |
| 3.0 | 2.75 | XW2Z-300N |
| 5.0 | 4.75 | XW2Z-500N |
| 10.0 | 9.75 | XW2Z-010N |
| 15.0 | 14.75 | XW2Z-15MN |
| 20.0 | 19.75 | XW2Z-20MN |

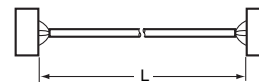
*Cable length L (m)



XW2Z-□□□X

| Cable length L (m) * | Model |
|----------------------|-----------|
| 0.5 | XW2Z-C50X |
| 1.0 | XW2Z-100X |
| 2.0 | XW2Z-200X |
| 3.0 | XW2Z-300X |
| 5.0 | XW2Z-500X |
| 10.0 | XW2Z-010X |

*Cable length L (m)



Ratings and Specifications

| | |
|--------------------------------------|---|
| Rated current | 1 A |
| Rated voltage | 125 VAC 24 VDC |
| Contact resistance | 20 mΩ max. (at 20 mV, 100 mA max.) *1 |
| Insulation resistance | 100 MΩ min. (at 500 VDC) |
| Dielectric strength | 500 VAC for 1 min (leakage current: 1 mA max.) *2 |
| Ambient operating temperature | -25 to 80°C |

*1. Contact resistance for the Connector.

*2. Dielectric strength for the Connector.

Materials and Finish

| Item | Part name | | Materials and Finish |
|-----------------------|--|---------------------|---|
| Connectors | XG4M-2030 XG4M-4030 | Housing | Fiber-glass reinforced PBT resin (UL94V-0)/black |
| | | Cover | |
| | Contacts | Mating end | Phosphor bronze/nickel base, 0.15-μm gold plating |
| | | Press-fit end | Phosphor bronze/nickel base, 2.0-μm tin plating |
| | XG4T-2004/4004 | Strain Relief | Fiber-glass reinforced PBT resin (UL94V-0)/black |
| | FCN-367J024-AU/F * FCN-367J040-AU/F | Housing | Polyester resin (UL94V-0)/black |
| | | Contacts | Mating end |
| Press-fit end | | | Copper alloy/tin plated |
| | Connecting screw | Steel/nickel plated | |
| Cable | UL2464 Interface Cable | | AWG28 or the equivalent |
| Crimp terminal | Forked crimp terminal | | 1.25 Y AS 3.5 or the equivalent |

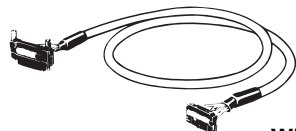
Note: These housings, contacts, and connecting screws are made by Fujitsu.

Appearance and Wiring Diagrams

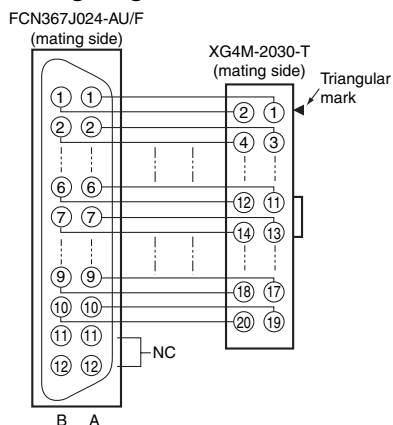
For 32-point, Connector-type I/O Units for Programmable Controllers

XW2Z-□□□A

(For XW2D-20G6/XW2B-20G□/-40G5-T/-20G5-D/
XW2C-20G5-IN16/20G6-IO16/XW2E-20G5-IN16/
XW2F-20G7-IN16/-OUT16/XW2N-20G8-IN16)

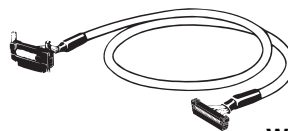


Wiring Diagram

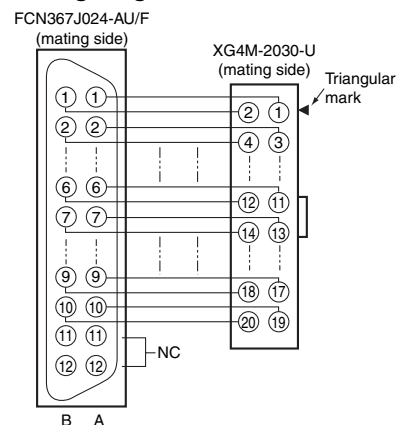


XW2Z-□□□AU

(For XW2D-20C6)

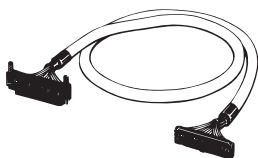


Wiring Diagram



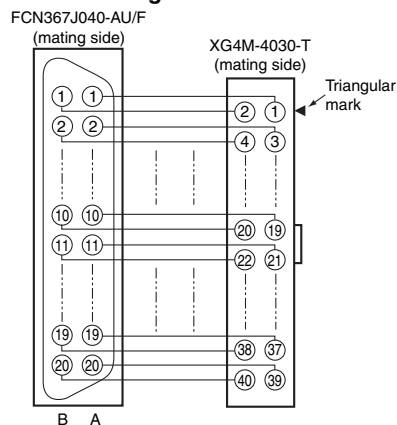
For 32-point, Connector-type I/O Units (Group 2) for Programmable Controllers For 64-point, Connector-type I/O Units for Programmable Controllers

XW2Z-□□□B (For XW2D-40G6/XW2B-40G□)

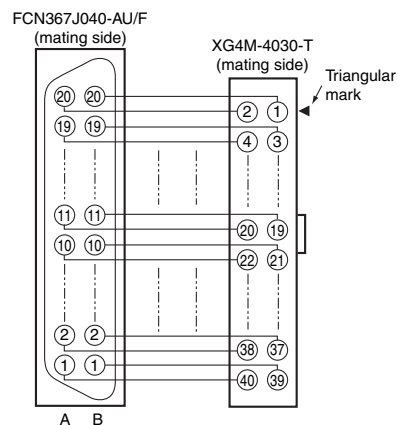


Wiring Diagram

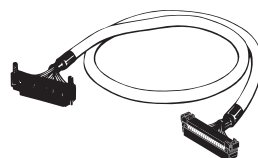
• Normal wiring



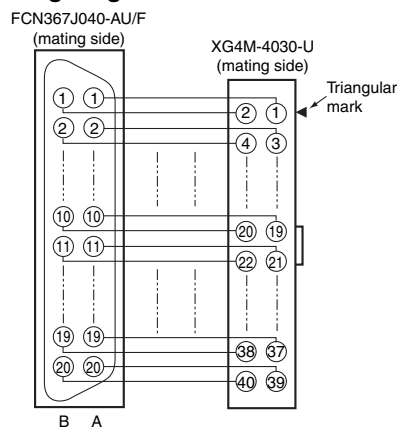
• Reverse wiring



XW2Z-□□□BU (For XW2D-40C6)

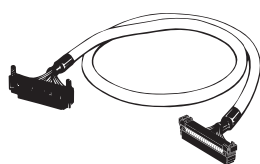


Wiring Diagram



XW2Z-□□□B-A (For XW2F-40G7-IN32)

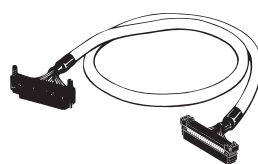
Wiring Diagram



| FCN367J040-AU/F | XG4M-4030-T |
|-----------------|-------------|
| B20 | 1 |
| B19 | 2 |
| B18 | 3 |
| B17 | 5 |
| B16 | 7 |
| B15 | 9 |
| B14 | 11 |
| B13 | 13 |
| B12 | 15 |
| B11 | 17 |
| B10 | 19 |
| B9 | 4 |
| B8 | 6 |
| B7 | 8 |
| B6 | 10 |
| B5 | 12 |
| B4 | 14 |
| B3 | 16 |
| B2 | 18 |
| B1 | 20 |
| A20 | 21 |
| A19 | 22 |
| A18 | 23 |
| A17 | 25 |
| A16 | 27 |
| A15 | 29 |
| A14 | 31 |
| A13 | 33 |
| A12 | 35 |
| A11 | 37 |
| A10 | 39 |
| A9 | 24 |
| A8 | 26 |
| A7 | 28 |
| A6 | 30 |
| A5 | 32 |
| A4 | 34 |
| A3 | 36 |
| A2 | 38 |
| A1 | 40 |

XW2Z-□□□B-B (For XW2F-40G7-OUT32)

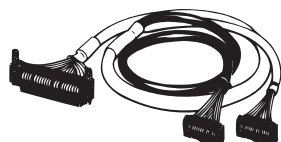
Wiring Diagram



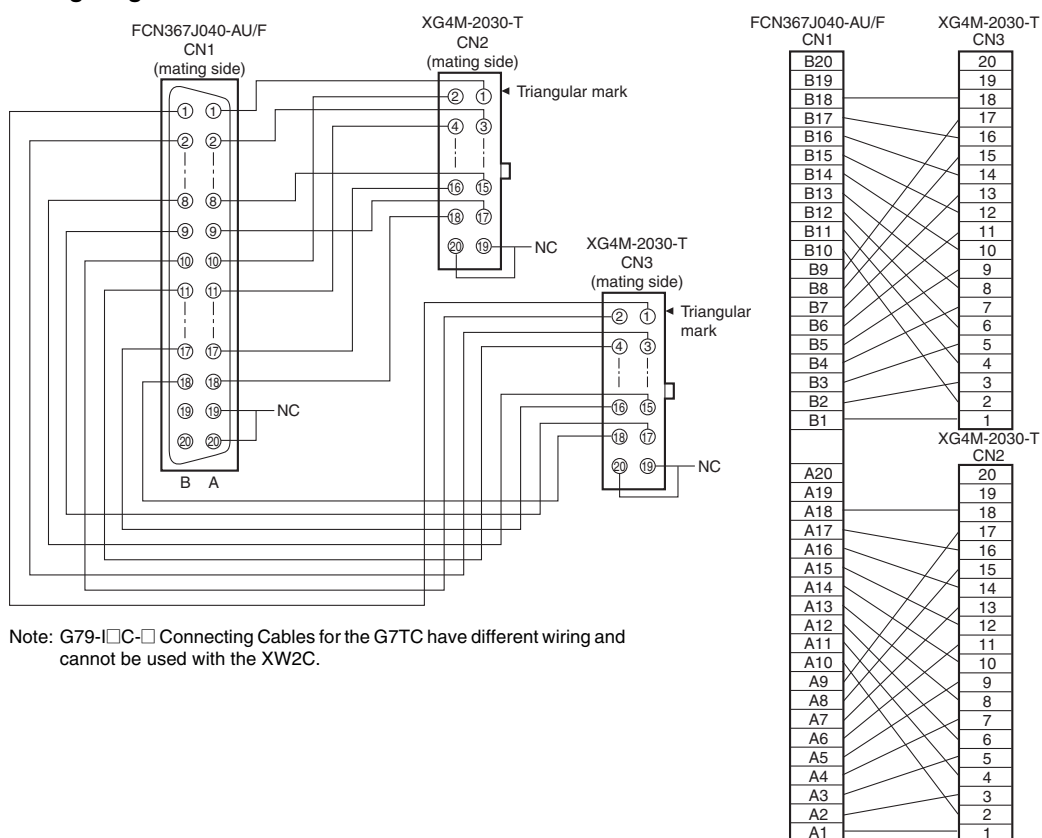
| FCN367J040-AU/F | XG4M-4030-T |
|-----------------|-------------|
| B20 | 1 |
| B19 | 3 |
| B18 | 5 |
| B17 | 7 |
| B16 | 9 |
| B15 | 11 |
| B14 | 13 |
| B13 | 15 |
| B12 | 17 |
| B11 | 19 |
| B10 | 2 |
| B9 | 4 |
| B8 | 6 |
| B7 | 8 |
| B6 | 10 |
| B5 | 12 |
| B4 | 14 |
| B3 | 16 |
| B2 | 18 |
| B1 | 20 |
| A20 | 21 |
| A19 | 23 |
| A18 | 25 |
| A17 | 27 |
| A16 | 29 |
| A15 | 31 |
| A14 | 33 |
| A13 | 35 |
| A12 | 37 |
| A11 | 39 |
| A10 | 22 |
| A9 | 24 |
| A8 | 26 |
| A7 | 28 |
| A6 | 30 |
| A5 | 32 |
| A4 | 34 |
| A3 | 36 |
| A2 | 38 |
| A1 | 40 |

For 32-point, Connector-type Input Units (Group 2) for Programmable Controllers For 64-point, Connector-type Input Units for Programmable Controllers

XW2Z-□□□D



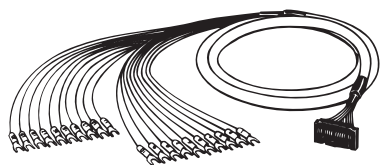
Wiring Diagram



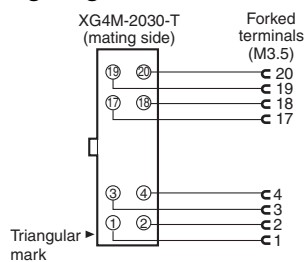
Note: G79-□C-□ Connecting Cables for the G7TC have different wiring and cannot be used with the XW2C.

20-pole Cable with Discrete-wire Press-fit Terminals

XW2Z-□□□F



Wiring Diagram

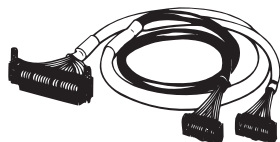


Connector Pin No. Table

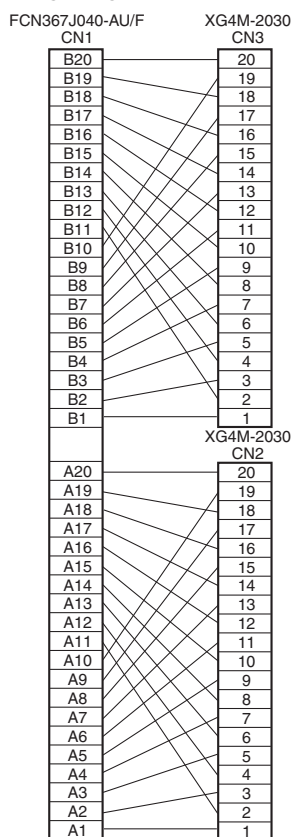
| Forked terminal | No. of cores | Insulation color | Dot marks | Dot color | Connector pin No. |
|-----------------|--------------|------------------|-----------|-----------|-------------------|
| 1 | 1 | Blue | □ | Red | 1◁ |
| 2 | | Blue | □ | Black | 2 |
| 3 | 2 | Pink | □ | Red | 3 |
| 4 | | Pink | □ | Black | 4 |
| 5 | 3 | Green | □ | Red | 5 |
| 6 | | Green | □ | Black | 6 |
| 7 | 4 | Orange | □ | Red | 7 |
| 8 | | Orange | □ | Black | 8 |
| 9 | 5 | Gray | □ | Red | 9 |
| 10 | | Gray | □ | Black | 10 |
| 11 | 6 | Blue | □□ | Red | 11 |
| 12 | | Blue | □□ | Black | 12 |
| 13 | 7 | Pink | □□ | Red | 13 |
| 14 | | Pink | □□ | Black | 14 |
| 15 | 8 | Green | □□ | Red | 15 |
| 16 | | Green | □□ | Black | 16 |
| 17 | 9 | Orange | □□ | Red | 17 |
| 18 | | Orange | □□ | Black | 18 |
| 19 | 10 | Gray | □□ | Red | 19 |
| 20 | | Gray | □□ | Black | 20 |

**For 32-point, Connector-type Output Units (Group 2) for Programmable Controllers
For 64-point, Connector-type Output Units for Programmable Controllers**

XW2Z-□□□L



Wiring Diagram



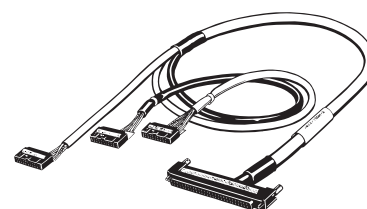
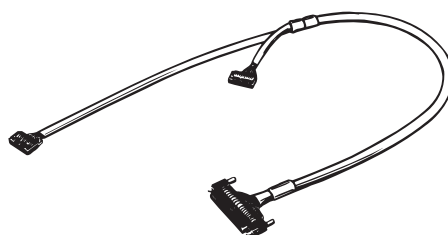
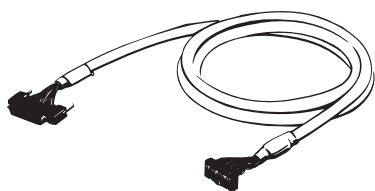
For 96-point, Connector-type I/O Units for Programmable Controllers

XW2Z-□□□H (For CS1-series I/O Unit Connection)

XW2Z-□□□H-1

XW2Z-□□□H-2

XW2Z-□□□H-3



I/O Signal Tables (Example Using CN1 on CS1W-OD291)

XW2Z-□□□H-□ Connecting Cables

| | | | | | | | | | | | | | | | | | | | | | | | | | | | | | | | | | | | | | | | | | | | | | | | | | | | | | | | | | | | | | | | | | | | | | | | | | | | | | | | | | | | | | | | | | | | | | | | | | | | | | | | | | | | | | | | | | | | | | | | | | | | | | | | | | | | |
|--------------------|---|----|----|----|----|----|----|-----|----|----|-----|-----|----|---|---|---|---|---|---|---|---|---|---|---|---|---|---|---|---|---|---|---|---|---|----|----|----|----|----|----|----|----|----|---|---|---|---|---|---|---|-----|-----|----|---|---|---|---|---|---|---|---|---|---|---|---|---|---|---|---|---|---|---|---|---|----|----|----|----|----|----|----|----|--|---|---|---|---|---|---|---|---|-----|----|----|----|---|---|---|---|---|---|---|---|---|---|---|---|---|---|---|---|---|---|---|---|----|----|----|----|----|----|----|----|----|----|----|----|----|----|----|----|
| XW2Z-□□□H-3 | XW2□-20G□ <div style="display: flex; justify-content: space-around;"> <div style="text-align: center;"> <p>Word N (CN2)</p> <table border="1" style="width: 100%; text-align: center;"> <tr><td>0</td><td>1</td><td>2</td><td>3</td><td>4</td><td>5</td><td>6</td><td>7</td><td>COM</td><td>NC</td></tr> <tr><td>①</td><td>③</td><td>⑤</td><td>⑦</td><td>⑨</td><td>⑪</td><td>⑬</td><td>⑮</td><td>⑰</td><td>⑲</td></tr> <tr><td>②</td><td>④</td><td>⑥</td><td>⑧</td><td>⑩</td><td>⑫</td><td>⑭</td><td>⑯</td><td>⑱</td><td>⑳</td></tr> <tr><td>8</td><td>9</td><td>10</td><td>11</td><td>12</td><td>13</td><td>14</td><td>15</td><td>+V</td><td>NC</td></tr> </table> </div> <div style="text-align: center;"> <p>Word N+1 (CN3)</p> <table border="1" style="width: 100%; text-align: center;"> <tr><td>0</td><td>1</td><td>2</td><td>3</td><td>4</td><td>5</td><td>6</td><td>7</td><td>COM</td><td>NC</td></tr> <tr><td>①</td><td>③</td><td>⑤</td><td>⑦</td><td>⑨</td><td>⑪</td><td>⑬</td><td>⑮</td><td>⑰</td><td>⑲</td></tr> <tr><td>②</td><td>④</td><td>⑥</td><td>⑧</td><td>⑩</td><td>⑫</td><td>⑭</td><td>⑯</td><td>⑱</td><td>⑳</td></tr> <tr><td>8</td><td>9</td><td>10</td><td>11</td><td>12</td><td>13</td><td>14</td><td>15</td><td>+V</td><td>NC</td></tr> </table> </div> <div style="text-align: center;"> <p>Word N+2 (CN4)</p> <table border="1" style="width: 100%; text-align: center;"> <tr><td>0</td><td>1</td><td>2</td><td>3</td><td>4</td><td>5</td><td>6</td><td>7</td><td>COM</td><td>NC</td></tr> <tr><td>①</td><td>③</td><td>⑤</td><td>⑦</td><td>⑨</td><td>⑪</td><td>⑬</td><td>⑮</td><td>⑰</td><td>⑲</td></tr> <tr><td>②</td><td>④</td><td>⑥</td><td>⑧</td><td>⑩</td><td>⑫</td><td>⑭</td><td>⑯</td><td>⑱</td><td>⑳</td></tr> <tr><td>8</td><td>9</td><td>10</td><td>11</td><td>12</td><td>13</td><td>14</td><td>15</td><td>+V</td><td>NC</td></tr> </table> </div> </div> | | | 0 | 1 | 2 | 3 | 4 | 5 | 6 | 7 | COM | NC | ① | ③ | ⑤ | ⑦ | ⑨ | ⑪ | ⑬ | ⑮ | ⑰ | ⑲ | ② | ④ | ⑥ | ⑧ | ⑩ | ⑫ | ⑭ | ⑯ | ⑱ | ⑳ | 8 | 9 | 10 | 11 | 12 | 13 | 14 | 15 | +V | NC | 0 | 1 | 2 | 3 | 4 | 5 | 6 | 7 | COM | NC | ① | ③ | ⑤ | ⑦ | ⑨ | ⑪ | ⑬ | ⑮ | ⑰ | ⑲ | ② | ④ | ⑥ | ⑧ | ⑩ | ⑫ | ⑭ | ⑯ | ⑱ | ⑳ | 8 | 9 | 10 | 11 | 12 | 13 | 14 | 15 | +V | NC | 0 | 1 | 2 | 3 | 4 | 5 | 6 | 7 | COM | NC | ① | ③ | ⑤ | ⑦ | ⑨ | ⑪ | ⑬ | ⑮ | ⑰ | ⑲ | ② | ④ | ⑥ | ⑧ | ⑩ | ⑫ | ⑭ | ⑯ | ⑱ | ⑳ | 8 | 9 | 10 | 11 | 12 | 13 | 14 | 15 | +V | NC | | | | | | | | |
| 0 | 1 | 2 | 3 | 4 | 5 | 6 | 7 | COM | NC | | | | | | | | | | | | | | | | | | | | | | | | | | | | | | | | | | | | | | | | | | | | | | | | | | | | | | | | | | | | | | | | | | | | | | | | | | | | | | | | | | | | | | | | | | | | | | | | | | | | | | | | | | | | | | | | | | | | | | | | | | |
| ① | ③ | ⑤ | ⑦ | ⑨ | ⑪ | ⑬ | ⑮ | ⑰ | ⑲ | | | | | | | | | | | | | | | | | | | | | | | | | | | | | | | | | | | | | | | | | | | | | | | | | | | | | | | | | | | | | | | | | | | | | | | | | | | | | | | | | | | | | | | | | | | | | | | | | | | | | | | | | | | | | | | | | | | | | | | | | | |
| ② | ④ | ⑥ | ⑧ | ⑩ | ⑫ | ⑭ | ⑯ | ⑱ | ⑳ | | | | | | | | | | | | | | | | | | | | | | | | | | | | | | | | | | | | | | | | | | | | | | | | | | | | | | | | | | | | | | | | | | | | | | | | | | | | | | | | | | | | | | | | | | | | | | | | | | | | | | | | | | | | | | | | | | | | | | | | | | |
| 8 | 9 | 10 | 11 | 12 | 13 | 14 | 15 | +V | NC | | | | | | | | | | | | | | | | | | | | | | | | | | | | | | | | | | | | | | | | | | | | | | | | | | | | | | | | | | | | | | | | | | | | | | | | | | | | | | | | | | | | | | | | | | | | | | | | | | | | | | | | | | | | | | | | | | | | | | | | | | |
| 0 | 1 | 2 | 3 | 4 | 5 | 6 | 7 | COM | NC | | | | | | | | | | | | | | | | | | | | | | | | | | | | | | | | | | | | | | | | | | | | | | | | | | | | | | | | | | | | | | | | | | | | | | | | | | | | | | | | | | | | | | | | | | | | | | | | | | | | | | | | | | | | | | | | | | | | | | | | | | |
| ① | ③ | ⑤ | ⑦ | ⑨ | ⑪ | ⑬ | ⑮ | ⑰ | ⑲ | | | | | | | | | | | | | | | | | | | | | | | | | | | | | | | | | | | | | | | | | | | | | | | | | | | | | | | | | | | | | | | | | | | | | | | | | | | | | | | | | | | | | | | | | | | | | | | | | | | | | | | | | | | | | | | | | | | | | | | | | | |
| ② | ④ | ⑥ | ⑧ | ⑩ | ⑫ | ⑭ | ⑯ | ⑱ | ⑳ | | | | | | | | | | | | | | | | | | | | | | | | | | | | | | | | | | | | | | | | | | | | | | | | | | | | | | | | | | | | | | | | | | | | | | | | | | | | | | | | | | | | | | | | | | | | | | | | | | | | | | | | | | | | | | | | | | | | | | | | | | |
| 8 | 9 | 10 | 11 | 12 | 13 | 14 | 15 | +V | NC | | | | | | | | | | | | | | | | | | | | | | | | | | | | | | | | | | | | | | | | | | | | | | | | | | | | | | | | | | | | | | | | | | | | | | | | | | | | | | | | | | | | | | | | | | | | | | | | | | | | | | | | | | | | | | | | | | | | | | | | | | |
| 0 | 1 | 2 | 3 | 4 | 5 | 6 | 7 | COM | NC | | | | | | | | | | | | | | | | | | | | | | | | | | | | | | | | | | | | | | | | | | | | | | | | | | | | | | | | | | | | | | | | | | | | | | | | | | | | | | | | | | | | | | | | | | | | | | | | | | | | | | | | | | | | | | | | | | | | | | | | | | |
| ① | ③ | ⑤ | ⑦ | ⑨ | ⑪ | ⑬ | ⑮ | ⑰ | ⑲ | | | | | | | | | | | | | | | | | | | | | | | | | | | | | | | | | | | | | | | | | | | | | | | | | | | | | | | | | | | | | | | | | | | | | | | | | | | | | | | | | | | | | | | | | | | | | | | | | | | | | | | | | | | | | | | | | | | | | | | | | | |
| ② | ④ | ⑥ | ⑧ | ⑩ | ⑫ | ⑭ | ⑯ | ⑱ | ⑳ | | | | | | | | | | | | | | | | | | | | | | | | | | | | | | | | | | | | | | | | | | | | | | | | | | | | | | | | | | | | | | | | | | | | | | | | | | | | | | | | | | | | | | | | | | | | | | | | | | | | | | | | | | | | | | | | | | | | | | | | | | |
| 8 | 9 | 10 | 11 | 12 | 13 | 14 | 15 | +V | NC | | | | | | | | | | | | | | | | | | | | | | | | | | | | | | | | | | | | | | | | | | | | | | | | | | | | | | | | | | | | | | | | | | | | | | | | | | | | | | | | | | | | | | | | | | | | | | | | | | | | | | | | | | | | | | | | | | | | | | | | | | |
| XW2Z-□□□H-2 | XW2□-40G□ <div style="display: flex; justify-content: space-around;"> <div style="text-align: center;"> <p>Word N (CN2)</p> <table border="1" style="width: 100%; text-align: center;"> <tr><td>0</td><td>1</td><td>2</td><td>3</td><td>4</td><td>5</td><td>6</td><td>7</td><td>COM</td><td>NC</td></tr> <tr><td>①</td><td>③</td><td>⑤</td><td>⑦</td><td>⑨</td><td>⑪</td><td>⑬</td><td>⑮</td><td>⑰</td><td>⑲</td></tr> <tr><td>②</td><td>④</td><td>⑥</td><td>⑧</td><td>⑩</td><td>⑫</td><td>⑭</td><td>⑯</td><td>⑱</td><td>⑳</td></tr> <tr><td>8</td><td>9</td><td>10</td><td>11</td><td>12</td><td>13</td><td>14</td><td>15</td><td>+V</td><td>NC</td></tr> </table> </div> <div style="text-align: center;"> <p>Word N+1 (CN2)</p> <table border="1" style="width: 100%; text-align: center;"> <tr><td>0</td><td>1</td><td>2</td><td>3</td><td>4</td><td>5</td><td>6</td><td>7</td><td>COM</td><td>NC</td></tr> <tr><td>①</td><td>③</td><td>⑤</td><td>⑦</td><td>⑨</td><td>⑪</td><td>⑬</td><td>⑮</td><td>⑰</td><td>⑲</td></tr> <tr><td>②</td><td>④</td><td>⑥</td><td>⑧</td><td>⑩</td><td>⑫</td><td>⑭</td><td>⑯</td><td>⑱</td><td>⑳</td></tr> <tr><td>8</td><td>9</td><td>10</td><td>11</td><td>12</td><td>13</td><td>14</td><td>15</td><td>+V</td><td>NC</td></tr> </table> </div> </div> | | 0 | 1 | 2 | 3 | 4 | 5 | 6 | 7 | COM | NC | ① | ③ | ⑤ | ⑦ | ⑨ | ⑪ | ⑬ | ⑮ | ⑰ | ⑲ | ② | ④ | ⑥ | ⑧ | ⑩ | ⑫ | ⑭ | ⑯ | ⑱ | ⑳ | 8 | 9 | 10 | 11 | 12 | 13 | 14 | 15 | +V | NC | 0 | 1 | 2 | 3 | 4 | 5 | 6 | 7 | COM | NC | ① | ③ | ⑤ | ⑦ | ⑨ | ⑪ | ⑬ | ⑮ | ⑰ | ⑲ | ② | ④ | ⑥ | ⑧ | ⑩ | ⑫ | ⑭ | ⑯ | ⑱ | ⑳ | 8 | 9 | 10 | 11 | 12 | 13 | 14 | 15 | +V | NC | XW2□-20G□ <div style="text-align: center;"> <p>Word N+2 (CN3)</p> <table border="1" style="width: 100%; text-align: center;"> <tr><td>0</td><td>1</td><td>2</td><td>3</td><td>4</td><td>5</td><td>6</td><td>7</td><td>COM</td><td>NC</td></tr> <tr><td>①</td><td>③</td><td>⑤</td><td>⑦</td><td>⑨</td><td>⑪</td><td>⑬</td><td>⑮</td><td>⑰</td><td>⑲</td></tr> <tr><td>②</td><td>④</td><td>⑥</td><td>⑧</td><td>⑩</td><td>⑫</td><td>⑭</td><td>⑯</td><td>⑱</td><td>⑳</td></tr> <tr><td>8</td><td>9</td><td>10</td><td>11</td><td>12</td><td>13</td><td>14</td><td>15</td><td>+V</td><td>NC</td></tr> </table> </div> | 0 | 1 | 2 | 3 | 4 | 5 | 6 | 7 | COM | NC | ① | ③ | ⑤ | ⑦ | ⑨ | ⑪ | ⑬ | ⑮ | ⑰ | ⑲ | ② | ④ | ⑥ | ⑧ | ⑩ | ⑫ | ⑭ | ⑯ | ⑱ | ⑳ | 8 | 9 | 10 | 11 | 12 | 13 | 14 | 15 | +V | NC | | | | | | | | |
| 0 | 1 | 2 | 3 | 4 | 5 | 6 | 7 | COM | NC | | | | | | | | | | | | | | | | | | | | | | | | | | | | | | | | | | | | | | | | | | | | | | | | | | | | | | | | | | | | | | | | | | | | | | | | | | | | | | | | | | | | | | | | | | | | | | | | | | | | | | | | | | | | | | | | | | | | | | | | | | |
| ① | ③ | ⑤ | ⑦ | ⑨ | ⑪ | ⑬ | ⑮ | ⑰ | ⑲ | | | | | | | | | | | | | | | | | | | | | | | | | | | | | | | | | | | | | | | | | | | | | | | | | | | | | | | | | | | | | | | | | | | | | | | | | | | | | | | | | | | | | | | | | | | | | | | | | | | | | | | | | | | | | | | | | | | | | | | | | | |
| ② | ④ | ⑥ | ⑧ | ⑩ | ⑫ | ⑭ | ⑯ | ⑱ | ⑳ | | | | | | | | | | | | | | | | | | | | | | | | | | | | | | | | | | | | | | | | | | | | | | | | | | | | | | | | | | | | | | | | | | | | | | | | | | | | | | | | | | | | | | | | | | | | | | | | | | | | | | | | | | | | | | | | | | | | | | | | | | |
| 8 | 9 | 10 | 11 | 12 | 13 | 14 | 15 | +V | NC | | | | | | | | | | | | | | | | | | | | | | | | | | | | | | | | | | | | | | | | | | | | | | | | | | | | | | | | | | | | | | | | | | | | | | | | | | | | | | | | | | | | | | | | | | | | | | | | | | | | | | | | | | | | | | | | | | | | | | | | | | |
| 0 | 1 | 2 | 3 | 4 | 5 | 6 | 7 | COM | NC | | | | | | | | | | | | | | | | | | | | | | | | | | | | | | | | | | | | | | | | | | | | | | | | | | | | | | | | | | | | | | | | | | | | | | | | | | | | | | | | | | | | | | | | | | | | | | | | | | | | | | | | | | | | | | | | | | | | | | | | | | |
| ① | ③ | ⑤ | ⑦ | ⑨ | ⑪ | ⑬ | ⑮ | ⑰ | ⑲ | | | | | | | | | | | | | | | | | | | | | | | | | | | | | | | | | | | | | | | | | | | | | | | | | | | | | | | | | | | | | | | | | | | | | | | | | | | | | | | | | | | | | | | | | | | | | | | | | | | | | | | | | | | | | | | | | | | | | | | | | | |
| ② | ④ | ⑥ | ⑧ | ⑩ | ⑫ | ⑭ | ⑯ | ⑱ | ⑳ | | | | | | | | | | | | | | | | | | | | | | | | | | | | | | | | | | | | | | | | | | | | | | | | | | | | | | | | | | | | | | | | | | | | | | | | | | | | | | | | | | | | | | | | | | | | | | | | | | | | | | | | | | | | | | | | | | | | | | | | | | |
| 8 | 9 | 10 | 11 | 12 | 13 | 14 | 15 | +V | NC | | | | | | | | | | | | | | | | | | | | | | | | | | | | | | | | | | | | | | | | | | | | | | | | | | | | | | | | | | | | | | | | | | | | | | | | | | | | | | | | | | | | | | | | | | | | | | | | | | | | | | | | | | | | | | | | | | | | | | | | | | |
| 0 | 1 | 2 | 3 | 4 | 5 | 6 | 7 | COM | NC | | | | | | | | | | | | | | | | | | | | | | | | | | | | | | | | | | | | | | | | | | | | | | | | | | | | | | | | | | | | | | | | | | | | | | | | | | | | | | | | | | | | | | | | | | | | | | | | | | | | | | | | | | | | | | | | | | | | | | | | | | |
| ① | ③ | ⑤ | ⑦ | ⑨ | ⑪ | ⑬ | ⑮ | ⑰ | ⑲ | | | | | | | | | | | | | | | | | | | | | | | | | | | | | | | | | | | | | | | | | | | | | | | | | | | | | | | | | | | | | | | | | | | | | | | | | | | | | | | | | | | | | | | | | | | | | | | | | | | | | | | | | | | | | | | | | | | | | | | | | | |
| ② | ④ | ⑥ | ⑧ | ⑩ | ⑫ | ⑭ | ⑯ | ⑱ | ⑳ | | | | | | | | | | | | | | | | | | | | | | | | | | | | | | | | | | | | | | | | | | | | | | | | | | | | | | | | | | | | | | | | | | | | | | | | | | | | | | | | | | | | | | | | | | | | | | | | | | | | | | | | | | | | | | | | | | | | | | | | | | |
| 8 | 9 | 10 | 11 | 12 | 13 | 14 | 15 | +V | NC | | | | | | | | | | | | | | | | | | | | | | | | | | | | | | | | | | | | | | | | | | | | | | | | | | | | | | | | | | | | | | | | | | | | | | | | | | | | | | | | | | | | | | | | | | | | | | | | | | | | | | | | | | | | | | | | | | | | | | | | | | |
| XW2Z-□□□H-1 | XW2B-60G□ <div style="display: flex; justify-content: space-around;"> <div style="text-align: center;"> <p>Word N (CN2)</p> <table border="1" style="width: 100%; text-align: center;"> <tr><td>0</td><td>1</td><td>2</td><td>3</td><td>4</td><td>5</td><td>6</td><td>7</td><td>COM</td><td>0</td></tr> <tr><td>①</td><td>③</td><td>⑤</td><td>⑦</td><td>⑨</td><td>⑪</td><td>⑬</td><td>⑮</td><td>⑰</td><td>⑲</td></tr> <tr><td>②</td><td>④</td><td>⑥</td><td>⑧</td><td>⑩</td><td>⑫</td><td>⑭</td><td>⑯</td><td>⑱</td><td>⑳</td></tr> <tr><td>8</td><td>9</td><td>10</td><td>11</td><td>12</td><td>13</td><td>14</td><td>15</td><td>+V</td><td>NC</td></tr> </table> </div> <div style="text-align: center;"> <p>Word N+1 (CN2)</p> <table border="1" style="width: 100%; text-align: center;"> <tr><td>0</td><td>1</td><td>2</td><td>3</td><td>4</td><td>5</td><td>6</td><td>7</td><td>COM</td><td>0</td></tr> <tr><td>①</td><td>③</td><td>⑤</td><td>⑦</td><td>⑨</td><td>⑪</td><td>⑬</td><td>⑮</td><td>⑰</td><td>⑲</td></tr> <tr><td>②</td><td>④</td><td>⑥</td><td>⑧</td><td>⑩</td><td>⑫</td><td>⑭</td><td>⑯</td><td>⑱</td><td>⑳</td></tr> <tr><td>8</td><td>9</td><td>10</td><td>11</td><td>12</td><td>13</td><td>14</td><td>15</td><td>+V</td><td>NC</td></tr> </table> </div> <div style="text-align: center;"> <p>Word N+2 (CN2)</p> <table border="1" style="width: 100%; text-align: center;"> <tr><td>0</td><td>1</td><td>2</td><td>3</td><td>4</td><td>5</td><td>6</td><td>7</td><td>COM</td><td>NC</td><td>NC</td><td>NC</td></tr> <tr><td>①</td><td>③</td><td>⑤</td><td>⑦</td><td>⑨</td><td>⑪</td><td>⑬</td><td>⑮</td><td>⑰</td><td>⑲</td><td>⑳</td><td>㉑</td></tr> <tr><td>②</td><td>④</td><td>⑥</td><td>⑧</td><td>⑩</td><td>⑫</td><td>⑭</td><td>⑯</td><td>⑱</td><td>⑳</td><td>㉒</td><td>㉓</td></tr> <tr><td>8</td><td>9</td><td>10</td><td>11</td><td>12</td><td>13</td><td>14</td><td>15</td><td>+V</td><td>NC</td><td>NC</td><td>NC</td></tr> </table> </div> </div> | | | 0 | 1 | 2 | 3 | 4 | 5 | 6 | 7 | COM | 0 | ① | ③ | ⑤ | ⑦ | ⑨ | ⑪ | ⑬ | ⑮ | ⑰ | ⑲ | ② | ④ | ⑥ | ⑧ | ⑩ | ⑫ | ⑭ | ⑯ | ⑱ | ⑳ | 8 | 9 | 10 | 11 | 12 | 13 | 14 | 15 | +V | NC | 0 | 1 | 2 | 3 | 4 | 5 | 6 | 7 | COM | 0 | ① | ③ | ⑤ | ⑦ | ⑨ | ⑪ | ⑬ | ⑮ | ⑰ | ⑲ | ② | ④ | ⑥ | ⑧ | ⑩ | ⑫ | ⑭ | ⑯ | ⑱ | ⑳ | 8 | 9 | 10 | 11 | 12 | 13 | 14 | 15 | +V | NC | 0 | 1 | 2 | 3 | 4 | 5 | 6 | 7 | COM | NC | NC | NC | ① | ③ | ⑤ | ⑦ | ⑨ | ⑪ | ⑬ | ⑮ | ⑰ | ⑲ | ⑳ | ㉑ | ② | ④ | ⑥ | ⑧ | ⑩ | ⑫ | ⑭ | ⑯ | ⑱ | ⑳ | ㉒ | ㉓ | 8 | 9 | 10 | 11 | 12 | 13 | 14 | 15 | +V | NC | NC | NC |
| 0 | 1 | 2 | 3 | 4 | 5 | 6 | 7 | COM | 0 | | | | | | | | | | | | | | | | | | | | | | | | | | | | | | | | | | | | | | | | | | | | | | | | | | | | | | | | | | | | | | | | | | | | | | | | | | | | | | | | | | | | | | | | | | | | | | | | | | | | | | | | | | | | | | | | | | | | | | | | | | |
| ① | ③ | ⑤ | ⑦ | ⑨ | ⑪ | ⑬ | ⑮ | ⑰ | ⑲ | | | | | | | | | | | | | | | | | | | | | | | | | | | | | | | | | | | | | | | | | | | | | | | | | | | | | | | | | | | | | | | | | | | | | | | | | | | | | | | | | | | | | | | | | | | | | | | | | | | | | | | | | | | | | | | | | | | | | | | | | | |
| ② | ④ | ⑥ | ⑧ | ⑩ | ⑫ | ⑭ | ⑯ | ⑱ | ⑳ | | | | | | | | | | | | | | | | | | | | | | | | | | | | | | | | | | | | | | | | | | | | | | | | | | | | | | | | | | | | | | | | | | | | | | | | | | | | | | | | | | | | | | | | | | | | | | | | | | | | | | | | | | | | | | | | | | | | | | | | | | |
| 8 | 9 | 10 | 11 | 12 | 13 | 14 | 15 | +V | NC | | | | | | | | | | | | | | | | | | | | | | | | | | | | | | | | | | | | | | | | | | | | | | | | | | | | | | | | | | | | | | | | | | | | | | | | | | | | | | | | | | | | | | | | | | | | | | | | | | | | | | | | | | | | | | | | | | | | | | | | | | |
| 0 | 1 | 2 | 3 | 4 | 5 | 6 | 7 | COM | 0 | | | | | | | | | | | | | | | | | | | | | | | | | | | | | | | | | | | | | | | | | | | | | | | | | | | | | | | | | | | | | | | | | | | | | | | | | | | | | | | | | | | | | | | | | | | | | | | | | | | | | | | | | | | | | | | | | | | | | | | | | | |
| ① | ③ | ⑤ | ⑦ | ⑨ | ⑪ | ⑬ | ⑮ | ⑰ | ⑲ | | | | | | | | | | | | | | | | | | | | | | | | | | | | | | | | | | | | | | | | | | | | | | | | | | | | | | | | | | | | | | | | | | | | | | | | | | | | | | | | | | | | | | | | | | | | | | | | | | | | | | | | | | | | | | | | | | | | | | | | | | |
| ② | ④ | ⑥ | ⑧ | ⑩ | ⑫ | ⑭ | ⑯ | ⑱ | ⑳ | | | | | | | | | | | | | | | | | | | | | | | | | | | | | | | | | | | | | | | | | | | | | | | | | | | | | | | | | | | | | | | | | | | | | | | | | | | | | | | | | | | | | | | | | | | | | | | | | | | | | | | | | | | | | | | | | | | | | | | | | | |
| 8 | 9 | 10 | 11 | 12 | 13 | 14 | 15 | +V | NC | | | | | | | | | | | | | | | | | | | | | | | | | | | | | | | | | | | | | | | | | | | | | | | | | | | | | | | | | | | | | | | | | | | | | | | | | | | | | | | | | | | | | | | | | | | | | | | | | | | | | | | | | | | | | | | | | | | | | | | | | | |
| 0 | 1 | 2 | 3 | 4 | 5 | 6 | 7 | COM | NC | NC | NC | | | | | | | | | | | | | | | | | | | | | | | | | | | | | | | | | | | | | | | | | | | | | | | | | | | | | | | | | | | | | | | | | | | | | | | | | | | | | | | | | | | | | | | | | | | | | | | | | | | | | | | | | | | | | | | | | | | | | | | | |
| ① | ③ | ⑤ | ⑦ | ⑨ | ⑪ | ⑬ | ⑮ | ⑰ | ⑲ | ⑳ | ㉑ | | | | | | | | | | | | | | | | | | | | | | | | | | | | | | | | | | | | | | | | | | | | | | | | | | | | | | | | | | | | | | | | | | | | | | | | | | | | | | | | | | | | | | | | | | | | | | | | | | | | | | | | | | | | | | | | | | | | | | | | |
| ② | ④ | ⑥ | ⑧ | ⑩ | ⑫ | ⑭ | ⑯ | ⑱ | ⑳ | ㉒ | ㉓ | | | | | | | | | | | | | | | | | | | | | | | | | | | | | | | | | | | | | | | | | | | | | | | | | | | | | | | | | | | | | | | | | | | | | | | | | | | | | | | | | | | | | | | | | | | | | | | | | | | | | | | | | | | | | | | | | | | | | | | | |
| 8 | 9 | 10 | 11 | 12 | 13 | 14 | 15 | +V | NC | NC | NC | | | | | | | | | | | | | | | | | | | | | | | | | | | | | | | | | | | | | | | | | | | | | | | | | | | | | | | | | | | | | | | | | | | | | | | | | | | | | | | | | | | | | | | | | | | | | | | | | | | | | | | | | | | | | | | | | | | | | | | | |

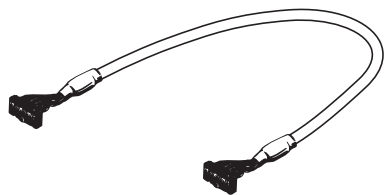
XW2Z-□□□H-□G/G79-□□□C-□□□-□□□ Connecting Cables

| | | | | | | | | | | | | | | | | | | | | | | | | | | | | | | | | | | | | | | | | | | | | | | | | | | | | | | | | | | | | | | | | | | | | | | | | | | | | | | | | | | | | | | | | | | | | | | | | | | | | | | | | | | | | | | | | | | | | | | | | | | | |
|------------------------|---|----|----|----|----|----|----|----|----|----|----|---|---|---|---|---|---|---|---|---|---|---|---|---|---|---|---|---|---|---|---|---|----|-----|-----|---|---|---|---|---|---|---|----|----|----|----|----|----|----|----|----|---|---|---|---|---|---|---|---|---|---|---|---|---|---|---|---|---|---|---|---|---|----|-----|-----|---|---|---|---|---|---|---|--|----|----|----|----|----|----|----|----|---|---|---|---|---|---|---|---|---|---|---|---|---|---|---|---|---|---|---|---|---|---|----|-----|---|---|---|---|---|---|---|---|
| G79-□□□C-□□□□□□ | XW2□-20G□ <div style="display: flex; justify-content: space-around;"> <div style="text-align: center;"> <p>Word N (CN2)</p> <table border="1" style="width: 100%; text-align: center;"> <tr><td>+V</td><td>NC</td><td>15</td><td>14</td><td>13</td><td>12</td><td>11</td><td>10</td><td>9</td><td>8</td></tr> <tr><td>①</td><td>③</td><td>⑤</td><td>⑦</td><td>⑨</td><td>⑪</td><td>⑬</td><td>⑮</td><td>⑰</td><td>⑲</td></tr> <tr><td>②</td><td>④</td><td>⑥</td><td>⑧</td><td>⑩</td><td>⑫</td><td>⑭</td><td>⑯</td><td>⑱</td><td>⑳</td></tr> <tr><td>NC</td><td>COM</td><td>7</td><td>6</td><td>5</td><td>4</td><td>3</td><td>2</td><td>1</td><td>0</td></tr> </table> </div> <div style="text-align: center;"> <p>Word N+1 (CN3)</p> <table border="1" style="width: 100%; text-align: center;"> <tr><td>+V</td><td>NC</td><td>15</td><td>14</td><td>13</td><td>12</td><td>11</td><td>10</td><td>9</td><td>8</td></tr> <tr><td>①</td><td>③</td><td>⑤</td><td>⑦</td><td>⑨</td><td>⑪</td><td>⑬</td><td>⑮</td><td>⑰</td><td>⑲</td></tr> <tr><td>②</td><td>④</td><td>⑥</td><td>⑧</td><td>⑩</td><td>⑫</td><td>⑭</td><td>⑯</td><td>⑱</td><td>⑳</td></tr> <tr><td>NC</td><td>COM</td><td>7</td><td>6</td><td>5</td><td>4</td><td>3</td><td>2</td><td>1</td><td>0</td></tr> </table> </div> <div style="text-align: center;"> <p>Word N+2 (CN4)</p> <table border="1" style="width: 100%; text-align: center;"> <tr><td>+V</td><td>NC</td><td>15</td><td>14</td><td>13</td><td>12</td><td>11</td><td>10</td><td>9</td><td>8</td></tr> <tr><td>①</td><td>③</td><td>⑤</td><td>⑦</td><td>⑨</td><td>⑪</td><td>⑬</td><td>⑮</td><td>⑰</td><td>⑲</td></tr> <tr><td>②</td><td>④</td><td>⑥</td><td>⑧</td><td>⑩</td><td>⑫</td><td>⑭</td><td>⑯</td><td>⑱</td><td>⑳</td></tr> <tr><td>NC</td><td>COM</td><td>7</td><td>6</td><td>5</td><td>4</td><td>3</td><td>2</td><td>1</td><td>0</td></tr> </table> </div> </div> | | | +V | NC | 15 | 14 | 13 | 12 | 11 | 10 | 9 | 8 | ① | ③ | ⑤ | ⑦ | ⑨ | ⑪ | ⑬ | ⑮ | ⑰ | ⑲ | ② | ④ | ⑥ | ⑧ | ⑩ | ⑫ | ⑭ | ⑯ | ⑱ | ⑳ | NC | COM | 7 | 6 | 5 | 4 | 3 | 2 | 1 | 0 | +V | NC | 15 | 14 | 13 | 12 | 11 | 10 | 9 | 8 | ① | ③ | ⑤ | ⑦ | ⑨ | ⑪ | ⑬ | ⑮ | ⑰ | ⑲ | ② | ④ | ⑥ | ⑧ | ⑩ | ⑫ | ⑭ | ⑯ | ⑱ | ⑳ | NC | COM | 7 | 6 | 5 | 4 | 3 | 2 | 1 | 0 | +V | NC | 15 | 14 | 13 | 12 | 11 | 10 | 9 | 8 | ① | ③ | ⑤ | ⑦ | ⑨ | ⑪ | ⑬ | ⑮ | ⑰ | ⑲ | ② | ④ | ⑥ | ⑧ | ⑩ | ⑫ | ⑭ | ⑯ | ⑱ | ⑳ | NC | COM | 7 | 6 | 5 | 4 | 3 | 2 | 1 | 0 |
| +V | NC | 15 | 14 | 13 | 12 | 11 | 10 | 9 | 8 | | | | | | | | | | | | | | | | | | | | | | | | | | | | | | | | | | | | | | | | | | | | | | | | | | | | | | | | | | | | | | | | | | | | | | | | | | | | | | | | | | | | | | | | | | | | | | | | | | | | | | | | | | | | | | | | | | |
| ① | ③ | ⑤ | ⑦ | ⑨ | ⑪ | ⑬ | ⑮ | ⑰ | ⑲ | | | | | | | | | | | | | | | | | | | | | | | | | | | | | | | | | | | | | | | | | | | | | | | | | | | | | | | | | | | | | | | | | | | | | | | | | | | | | | | | | | | | | | | | | | | | | | | | | | | | | | | | | | | | | | | | | | |
| ② | ④ | ⑥ | ⑧ | ⑩ | ⑫ | ⑭ | ⑯ | ⑱ | ⑳ | | | | | | | | | | | | | | | | | | | | | | | | | | | | | | | | | | | | | | | | | | | | | | | | | | | | | | | | | | | | | | | | | | | | | | | | | | | | | | | | | | | | | | | | | | | | | | | | | | | | | | | | | | | | | | | | | | |
| NC | COM | 7 | 6 | 5 | 4 | 3 | 2 | 1 | 0 | | | | | | | | | | | | | | | | | | | | | | | | | | | | | | | | | | | | | | | | | | | | | | | | | | | | | | | | | | | | | | | | | | | | | | | | | | | | | | | | | | | | | | | | | | | | | | | | | | | | | | | | | | | | | | | | | | |
| +V | NC | 15 | 14 | 13 | 12 | 11 | 10 | 9 | 8 | | | | | | | | | | | | | | | | | | | | | | | | | | | | | | | | | | | | | | | | | | | | | | | | | | | | | | | | | | | | | | | | | | | | | | | | | | | | | | | | | | | | | | | | | | | | | | | | | | | | | | | | | | | | | | | | | | |
| ① | ③ | ⑤ | ⑦ | ⑨ | ⑪ | ⑬ | ⑮ | ⑰ | ⑲ | | | | | | | | | | | | | | | | | | | | | | | | | | | | | | | | | | | | | | | | | | | | | | | | | | | | | | | | | | | | | | | | | | | | | | | | | | | | | | | | | | | | | | | | | | | | | | | | | | | | | | | | | | | | | | | | | | |
| ② | ④ | ⑥ | ⑧ | ⑩ | ⑫ | ⑭ | ⑯ | ⑱ | ⑳ | | | | | | | | | | | | | | | | | | | | | | | | | | | | | | | | | | | | | | | | | | | | | | | | | | | | | | | | | | | | | | | | | | | | | | | | | | | | | | | | | | | | | | | | | | | | | | | | | | | | | | | | | | | | | | | | | | |
| NC | COM | 7 | 6 | 5 | 4 | 3 | 2 | 1 | 0 | | | | | | | | | | | | | | | | | | | | | | | | | | | | | | | | | | | | | | | | | | | | | | | | | | | | | | | | | | | | | | | | | | | | | | | | | | | | | | | | | | | | | | | | | | | | | | | | | | | | | | | | | | | | | | | | | | |
| +V | NC | 15 | 14 | 13 | 12 | 11 | 10 | 9 | 8 | | | | | | | | | | | | | | | | | | | | | | | | | | | | | | | | | | | | | | | | | | | | | | | | | | | | | | | | | | | | | | | | | | | | | | | | | | | | | | | | | | | | | | | | | | | | | | | | | | | | | | | | | | | | | | | | | | |
| ① | ③ | ⑤ | ⑦ | ⑨ | ⑪ | ⑬ | ⑮ | ⑰ | ⑲ | | | | | | | | | | | | | | | | | | | | | | | | | | | | | | | | | | | | | | | | | | | | | | | | | | | | | | | | | | | | | | | | | | | | | | | | | | | | | | | | | | | | | | | | | | | | | | | | | | | | | | | | | | | | | | | | | | |
| ② | ④ | ⑥ | ⑧ | ⑩ | ⑫ | ⑭ | ⑯ | ⑱ | ⑳ | | | | | | | | | | | | | | | | | | | | | | | | | | | | | | | | | | | | | | | | | | | | | | | | | | | | | | | | | | | | | | | | | | | | | | | | | | | | | | | | | | | | | | | | | | | | | | | | | | | | | | | | | | | | | | | | | | |
| NC | COM | 7 | 6 | 5 | 4 | 3 | 2 | 1 | 0 | | | | | | | | | | | | | | | | | | | | | | | | | | | | | | | | | | | | | | | | | | | | | | | | | | | | | | | | | | | | | | | | | | | | | | | | | | | | | | | | | | | | | | | | | | | | | | | | | | | | | | | | | | | | | | | | | | |
| XW2Z-□□□H-2G | XW2□-40G□ <div style="display: flex; justify-content: space-around;"> <div style="text-align: center;"> <p>Word N (CN2)</p> <table border="1" style="width: 100%; text-align: center;"> <tr><td>+V</td><td>NC</td><td>15</td><td>14</td><td>13</td><td>12</td><td>11</td><td>10</td><td>9</td><td>8</td></tr> <tr><td>①</td><td>③</td><td>⑤</td><td>⑦</td><td>⑨</td><td>⑪</td><td>⑬</td><td>⑮</td><td>⑰</td><td>⑲</td></tr> <tr><td>②</td><td>④</td><td>⑥</td><td>⑧</td><td>⑩</td><td>⑫</td><td>⑭</td><td>⑯</td><td>⑱</td><td>⑳</td></tr> <tr><td>NC</td><td>COM</td><td>7</td><td>6</td><td>5</td><td>4</td><td>3</td><td>2</td><td>1</td><td>0</td></tr> </table> </div> <div style="text-align: center;"> <p>Word N+1 (CN2)</p> <table border="1" style="width: 100%; text-align: center;"> <tr><td>+V</td><td>NC</td><td>15</td><td>14</td><td>13</td><td>12</td><td>11</td><td>10</td><td>9</td><td>8</td></tr> <tr><td>①</td><td>③</td><td>⑤</td><td>⑦</td><td>⑨</td><td>⑪</td><td>⑬</td><td>⑮</td><td>⑰</td><td>⑲</td></tr> <tr><td>②</td><td>④</td><td>⑥</td><td>⑧</td><td>⑩</td><td>⑫</td><td>⑭</td><td>⑯</td><td>⑱</td><td>⑳</td></tr> <tr><td>NC</td><td>COM</td><td>7</td><td>6</td><td>5</td><td>4</td><td>3</td><td>2</td><td>1</td><td>0</td></tr> </table> </div> </div> | | +V | NC | 15 | 14 | 13 | 12 | 11 | 10 | 9 | 8 | ① | ③ | ⑤ | ⑦ | ⑨ | ⑪ | ⑬ | ⑮ | ⑰ | ⑲ | ② | ④ | ⑥ | ⑧ | ⑩ | ⑫ | ⑭ | ⑯ | ⑱ | ⑳ | NC | COM | 7 | 6 | 5 | 4 | 3 | 2 | 1 | 0 | +V | NC | 15 | 14 | 13 | 12 | 11 | 10 | 9 | 8 | ① | ③ | ⑤ | ⑦ | ⑨ | ⑪ | ⑬ | ⑮ | ⑰ | ⑲ | ② | ④ | ⑥ | ⑧ | ⑩ | ⑫ | ⑭ | ⑯ | ⑱ | ⑳ | NC | COM | 7 | 6 | 5 | 4 | 3 | 2 | 1 | 0 | XW2□-20G□ <div style="text-align: center;"> <p>Word N+2 (CN3)</p> <table border="1" style="width: 100%; text-align: center;"> <tr><td>+V</td><td>NC</td><td>15</td><td>14</td><td>13</td><td>12</td><td>11</td><td>10</td><td>9</td><td>8</td></tr> <tr><td>①</td><td>③</td><td>⑤</td><td>⑦</td><td>⑨</td><td>⑪</td><td>⑬</td><td>⑮</td><td>⑰</td><td>⑲</td></tr> <tr><td>②</td><td>④</td><td>⑥</td><td>⑧</td><td>⑩</td><td>⑫</td><td>⑭</td><td>⑯</td><td>⑱</td><td>⑳</td></tr> <tr><td>NC</td><td>COM</td><td>7</td><td>6</td><td>5</td><td>4</td><td>3</td><td>2</td><td>1</td><td>0</td></tr> </table> </div> | +V | NC | 15 | 14 | 13 | 12 | 11 | 10 | 9 | 8 | ① | ③ | ⑤ | ⑦ | ⑨ | ⑪ | ⑬ | ⑮ | ⑰ | ⑲ | ② | ④ | ⑥ | ⑧ | ⑩ | ⑫ | ⑭ | ⑯ | ⑱ | ⑳ | NC | COM | 7 | 6 | 5 | 4 | 3 | 2 | 1 | 0 |
| +V | NC | 15 | 14 | 13 | 12 | 11 | 10 | 9 | 8 | | | | | | | | | | | | | | | | | | | | | | | | | | | | | | | | | | | | | | | | | | | | | | | | | | | | | | | | | | | | | | | | | | | | | | | | | | | | | | | | | | | | | | | | | | | | | | | | | | | | | | | | | | | | | | | | | | |
| ① | ③ | ⑤ | ⑦ | ⑨ | ⑪ | ⑬ | ⑮ | ⑰ | ⑲ | | | | | | | | | | | | | | | | | | | | | | | | | | | | | | | | | | | | | | | | | | | | | | | | | | | | | | | | | | | | | | | | | | | | | | | | | | | | | | | | | | | | | | | | | | | | | | | | | | | | | | | | | | | | | | | | | | |
| ② | ④ | ⑥ | ⑧ | ⑩ | ⑫ | ⑭ | ⑯ | ⑱ | ⑳ | | | | | | | | | | | | | | | | | | | | | | | | | | | | | | | | | | | | | | | | | | | | | | | | | | | | | | | | | | | | | | | | | | | | | | | | | | | | | | | | | | | | | | | | | | | | | | | | | | | | | | | | | | | | | | | | | | |
| NC | COM | 7 | 6 | 5 | 4 | 3 | 2 | 1 | 0 | | | | | | | | | | | | | | | | | | | | | | | | | | | | | | | | | | | | | | | | | | | | | | | | | | | | | | | | | | | | | | | | | | | | | | | | | | | | | | | | | | | | | | | | | | | | | | | | | | | | | | | | | | | | | | | | | | |
| +V | NC | 15 | 14 | 13 | 12 | 11 | 10 | 9 | 8 | | | | | | | | | | | | | | | | | | | | | | | | | | | | | | | | | | | | | | | | | | | | | | | | | | | | | | | | | | | | | | | | | | | | | | | | | | | | | | | | | | | | | | | | | | | | | | | | | | | | | | | | | | | | | | | | | | |
| ① | ③ | ⑤ | ⑦ | ⑨ | ⑪ | ⑬ | ⑮ | ⑰ | ⑲ | | | | | | | | | | | | | | | | | | | | | | | | | | | | | | | | | | | | | | | | | | | | | | | | | | | | | | | | | | | | | | | | | | | | | | | | | | | | | | | | | | | | | | | | | | | | | | | | | | | | | | | | | | | | | | | | | | |
| ② | ④ | ⑥ | ⑧ | ⑩ | ⑫ | ⑭ | ⑯ | ⑱ | ⑳ | | | | | | | | | | | | | | | | | | | | | | | | | | | | | | | | | | | | | | | | | | | | | | | | | | | | | | | | | | | | | | | | | | | | | | | | | | | | | | | | | | | | | | | | | | | | | | | | | | | | | | | | | | | | | | | | | | |
| NC | COM | 7 | 6 | 5 | 4 | 3 | 2 | 1 | 0 | | | | | | | | | | | | | | | | | | | | | | | | | | | | | | | | | | | | | | | | | | | | | | | | | | | | | | | | | | | | | | | | | | | | | | | | | | | | | | | | | | | | | | | | | | | | | | | | | | | | | | | | | | | | | | | | | | |
| +V | NC | 15 | 14 | 13 | 12 | 11 | 10 | 9 | 8 | | | | | | | | | | | | | | | | | | | | | | | | | | | | | | | | | | | | | | | | | | | | | | | | | | | | | | | | | | | | | | | | | | | | | | | | | | | | | | | | | | | | | | | | | | | | | | | | | | | | | | | | | | | | | | | | | | |
| ① | ③ | ⑤ | ⑦ | ⑨ | ⑪ | ⑬ | ⑮ | ⑰ | ⑲ | | | | | | | | | | | | | | | | | | | | | | | | | | | | | | | | | | | | | | | | | | | | | | | | | | | | | | | | | | | | | | | | | | | | | | | | | | | | | | | | | | | | | | | | | | | | | | | | | | | | | | | | | | | | | | | | | | |
| ② | ④ | ⑥ | ⑧ | ⑩ | ⑫ | ⑭ | ⑯ | ⑱ | ⑳ | | | | | | | | | | | | | | | | | | | | | | | | | | | | | | | | | | | | | | | | | | | | | | | | | | | | | | | | | | | | | | | | | | | | | | | | | | | | | | | | | | | | | | | | | | | | | | | | | | | | | | | | | | | | | | | | | | |
| NC | COM | 7 | 6 | 5 | 4 | 3 | 2 | 1 | 0 | | | | | | | | | | | | | | | | | | | | | | | | | | | | | | | | | | | | | | | | | | | | | | | | | | | | | | | | | | | | | | | | | | | | | | | | | | | | | | | | | | | | | | | | | | | | | | | | | | | | | | | | | | | | | | | | | | |
| XW2Z-□□□H-1G | XW2B-60G□ <div style="display: flex; justify-content: space-around;"> <div style="text-align: center;"> <p>Word N (CN2)</p> <table border="1" style="width: 100%; text-align: center;"> <tr><td>+V</td><td>NC</td><td>15</td><td>14</td><td>13</td><td>12</td><td>11</td><td>10</td><td>9</td><td>8</td></tr> <tr><td>①</td><td>③</td><td>⑤</td><td>⑦</td><td>⑨</td><td>⑪</td><td>⑬</td><td>⑮</td><td>⑰</td><td>⑲</td></tr> <tr><td>②</td><td>④</td><td>⑥</td><td>⑧</td><td>⑩</td><td>⑫</td><td>⑭</td><td>⑯</td><td>⑱</td><td>⑳</td></tr> <tr><td>NC</td><td>COM</td><td>7</td><td>6</td><td>5</td><td>4</td><td>3</td><td>2</td><td>1</td><td>0</td></tr> </table> </div> <div style="text-align: center;"> <p>Word N+1 (CN2)</p> <table border="1" style="width: 100%; text-align: center;"> <tr><td>+V</td><td>NC</td><td>15</td><td>14</td><td>13</td><td>12</td><td>11</td><td>10</td><td>9</td><td>8</td></tr> <tr><td>①</td><td>③</td><td>⑤</td><td>⑦</td><td>⑨</td><td>⑪</td><td>⑬</td><td>⑮</td><td>⑰</td><td>⑲</td></tr> <tr><td>②</td><td>④</td><td>⑥</td><td>⑧</td><td>⑩</td><td>⑫</td><td>⑭</td><td>⑯</td><td>⑱</td><td>⑳</td></tr> <tr><td>NC</td><td>COM</td><td>7</td><td>6</td><td>5</td><td>4</td><td>3</td><td>2</td><td>1</td><td>0</td></tr> </table> </div> <div style="text-align: center;"> <p>Word N+2 (CN2)</p> <table border="1" style="width: 100%; text-align: center;"> <tr><td>+V</td><td>NC</td><td>15</td><td>14</td><td>13</td><td>12</td><td>11</td><td>10</td><td>9</td><td>8</td></tr> <tr><td>①</td><td>③</td><td>⑤</td><td>⑦</td><td>⑨</td><td>⑪</td><td>⑬</td><td>⑮</td><td>⑰</td><td>⑲</td></tr> <tr><td>②</td><td>④</td><td>⑥</td><td>⑧</td><td>⑩</td><td>⑫</td><td>⑭</td><td>⑯</td><td>⑱</td><td>⑳</td></tr> <tr><td>NC</td><td>COM</td><td>7</td><td>6</td><td>5</td><td>4</td><td>3</td><td>2</td><td>1</td><td>0</td></tr> </table> </div> </div> | | | +V | NC | 15 | 14 | 13 | 12 | 11 | 10 | 9 | 8 | ① | ③ | ⑤ | ⑦ | ⑨ | ⑪ | ⑬ | ⑮ | ⑰ | ⑲ | ② | ④ | ⑥ | ⑧ | ⑩ | ⑫ | ⑭ | ⑯ | ⑱ | ⑳ | NC | COM | 7 | 6 | 5 | 4 | 3 | 2 | 1 | 0 | +V | NC | 15 | 14 | 13 | 12 | 11 | 10 | 9 | 8 | ① | ③ | ⑤ | ⑦ | ⑨ | ⑪ | ⑬ | ⑮ | ⑰ | ⑲ | ② | ④ | ⑥ | ⑧ | ⑩ | ⑫ | ⑭ | ⑯ | ⑱ | ⑳ | NC | COM | 7 | 6 | 5 | 4 | 3 | 2 | 1 | 0 | +V | NC | 15 | 14 | 13 | 12 | 11 | 10 | 9 | 8 | ① | ③ | ⑤ | ⑦ | ⑨ | ⑪ | ⑬ | ⑮ | ⑰ | ⑲ | ② | ④ | ⑥ | ⑧ | ⑩ | ⑫ | ⑭ | ⑯ | ⑱ | ⑳ | NC | COM | 7 | 6 | 5 | 4 | 3 | 2 | 1 | 0 |
| +V | NC | 15 | 14 | 13 | 12 | 11 | 10 | 9 | 8 | | | | | | | | | | | | | | | | | | | | | | | | | | | | | | | | | | | | | | | | | | | | | | | | | | | | | | | | | | | | | | | | | | | | | | | | | | | | | | | | | | | | | | | | | | | | | | | | | | | | | | | | | | | | | | | | | | |
| ① | ③ | ⑤ | ⑦ | ⑨ | ⑪ | ⑬ | ⑮ | ⑰ | ⑲ | | | | | | | | | | | | | | | | | | | | | | | | | | | | | | | | | | | | | | | | | | | | | | | | | | | | | | | | | | | | | | | | | | | | | | | | | | | | | | | | | | | | | | | | | | | | | | | | | | | | | | | | | | | | | | | | | | |
| ② | ④ | ⑥ | ⑧ | ⑩ | ⑫ | ⑭ | ⑯ | ⑱ | ⑳ | | | | | | | | | | | | | | | | | | | | | | | | | | | | | | | | | | | | | | | | | | | | | | | | | | | | | | | | | | | | | | | | | | | | | | | | | | | | | | | | | | | | | | | | | | | | | | | | | | | | | | | | | | | | | | | | | | |
| NC | COM | 7 | 6 | 5 | 4 | 3 | 2 | 1 | 0 | | | | | | | | | | | | | | | | | | | | | | | | | | | | | | | | | | | | | | | | | | | | | | | | | | | | | | | | | | | | | | | | | | | | | | | | | | | | | | | | | | | | | | | | | | | | | | | | | | | | | | | | | | | | | | | | | | |
| +V | NC | 15 | 14 | 13 | 12 | 11 | 10 | 9 | 8 | | | | | | | | | | | | | | | | | | | | | | | | | | | | | | | | | | | | | | | | | | | | | | | | | | | | | | | | | | | | | | | | | | | | | | | | | | | | | | | | | | | | | | | | | | | | | | | | | | | | | | | | | | | | | | | | | | |
| ① | ③ | ⑤ | ⑦ | ⑨ | ⑪ | ⑬ | ⑮ | ⑰ | ⑲ | | | | | | | | | | | | | | | | | | | | | | | | | | | | | | | | | | | | | | | | | | | | | | | | | | | | | | | | | | | | | | | | | | | | | | | | | | | | | | | | | | | | | | | | | | | | | | | | | | | | | | | | | | | | | | | | | | |
| ② | ④ | ⑥ | ⑧ | ⑩ | ⑫ | ⑭ | ⑯ | ⑱ | ⑳ | | | | | | | | | | | | | | | | | | | | | | | | | | | | | | | | | | | | | | | | | | | | | | | | | | | | | | | | | | | | | | | | | | | | | | | | | | | | | | | | | | | | | | | | | | | | | | | | | | | | | | | | | | | | | | | | | | |
| NC | COM | 7 | 6 | 5 | 4 | 3 | 2 | 1 | 0 | | | | | | | | | | | | | | | | | | | | | | | | | | | | | | | | | | | | | | | | | | | | | | | | | | | | | | | | | | | | | | | | | | | | | | | | | | | | | | | | | | | | | | | | | | | | | | | | | | | | | | | | | | | | | | | | | | |
| +V | NC | 15 | 14 | 13 | 12 | 11 | 10 | 9 | 8 | | | | | | | | | | | | | | | | | | | | | | | | | | | | | | | | | | | | | | | | | | | | | | | | | | | | | | | | | | | | | | | | | | | | | | | | | | | | | | | | | | | | | | | | | | | | | | | | | | | | | | | | | | | | | | | | | | |
| ① | ③ | ⑤ | ⑦ | ⑨ | ⑪ | ⑬ | ⑮ | ⑰ | ⑲ | | | | | | | | | | | | | | | | | | | | | | | | | | | | | | | | | | | | | | | | | | | | | | | | | | | | | | | | | | | | | | | | | | | | | | | | | | | | | | | | | | | | | | | | | | | | | | | | | | | | | | | | | | | | | | | | | | |
| ② | ④ | ⑥ | ⑧ | ⑩ | ⑫ | ⑭ | ⑯ | ⑱ | ⑳ | | | | | | | | | | | | | | | | | | | | | | | | | | | | | | | | | | | | | | | | | | | | | | | | | | | | | | | | | | | | | | | | | | | | | | | | | | | | | | | | | | | | | | | | | | | | | | | | | | | | | | | | | | | | | | | | | | |
| NC | COM | 7 | 6 | 5 | 4 | 3 | 2 | 1 | 0 | | | | | | | | | | | | | | | | | | | | | | | | | | | | | | | | | | | | | | | | | | | | | | | | | | | | | | | | | | | | | | | | | | | | | | | | | | | | | | | | | | | | | | | | | | | | | | | | | | | | | | | | | | | | | | | | | | |

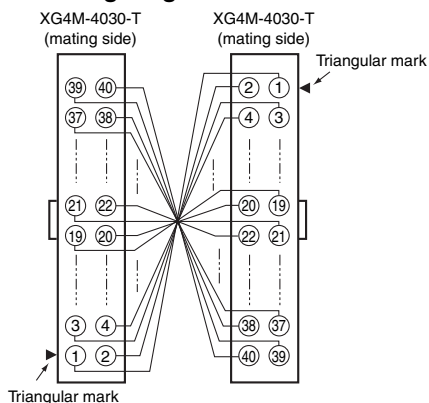
Note: The XW2Z-□□□H-□G I/O signal arrangement is oriented the same as the Connector Cable for the G79 I/O Relay Terminal.

For 32-point, MIL Connector-type I/O Units for Programmable Controllers

XW2Z-□□□K



Wiring Diagram

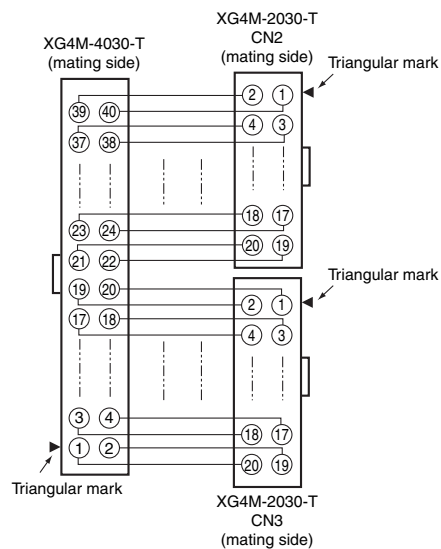


Note: Connector pins are connected 1-to-1 so that pin numbers correspond.

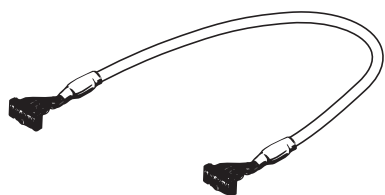
XW2Z-□□□N



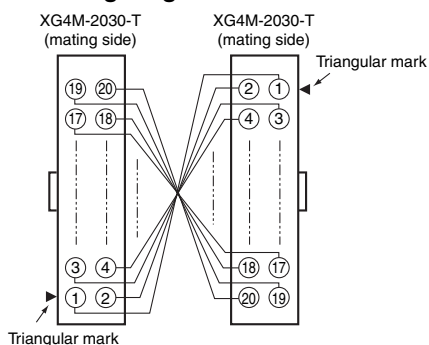
Wiring Diagram



XW2Z-□□□X



Wiring Diagram



Note: Connector pins are connected 1-to-1 so that pin numbers correspond.

Read and Understand This Catalog

Please read and understand this catalog before purchasing the products. Please consult your OMRON representative if you have any questions or comments.

Warranty and Limitations of Liability

WARRANTY

OMRON's exclusive warranty is that the products are free from defects in materials and workmanship for a period of one year (or other period if specified) from date of sale by OMRON.

OMRON MAKES NO WARRANTY OR REPRESENTATION, EXPRESS OR IMPLIED, REGARDING NON-INFRINGEMENT, MERCHANTABILITY, OR FITNESS FOR PARTICULAR PURPOSE OF THE PRODUCTS. ANY BUYER OR USER ACKNOWLEDGES THAT THE BUYER OR USER ALONE HAS DETERMINED THAT THE PRODUCTS WILL SUITABLY MEET THE REQUIREMENTS OF THEIR INTENDED USE. OMRON DISCLAIMS ALL OTHER WARRANTIES, EXPRESS OR IMPLIED.

LIMITATIONS OF LIABILITY

OMRON SHALL NOT BE RESPONSIBLE FOR SPECIAL, INDIRECT, OR CONSEQUENTIAL DAMAGES, LOSS OF PROFITS OR COMMERCIAL LOSS IN ANY WAY CONNECTED WITH THE PRODUCTS, WHETHER SUCH CLAIM IS BASED ON CONTRACT, WARRANTY, NEGLIGENCE, OR STRICT LIABILITY.

In no event shall the responsibility of OMRON for any act exceed the individual price of the product on which liability is asserted.

IN NO EVENT SHALL OMRON BE RESPONSIBLE FOR WARRANTY, REPAIR, OR OTHER CLAIMS REGARDING THE PRODUCTS UNLESS OMRON'S ANALYSIS CONFIRMS THAT THE PRODUCTS WERE PROPERLY HANDLED, STORED, INSTALLED, AND MAINTAINED AND NOT SUBJECT TO CONTAMINATION, ABUSE, MISUSE, OR INAPPROPRIATE MODIFICATION OR REPAIR.

Application Considerations

SUITABILITY FOR USE

OMRON shall not be responsible for conformity with any standards, codes, or regulations that apply to the combination of products in the customer's application or use of the products.

At the customer's request, OMRON will provide applicable third party certification documents identifying ratings and limitations of use that apply to the products. This information by itself is not sufficient for a complete determination of the suitability of the products in combination with the end product, machine, system, or other application or use.

The following are some examples of applications for which particular attention must be given. This is not intended to be an exhaustive list of all possible uses of the products, nor is it intended to imply that the uses listed may be suitable for the products:

- Outdoor use, uses involving potential chemical contamination or electrical interference, or conditions or uses not described in this catalog.
- Nuclear energy control systems, combustion systems, railroad systems, aviation systems, medical equipment, amusement machines, vehicles, safety equipment, and installations subject to separate industry or government regulations.
- Systems, machines, and equipment that could present a risk to life or property.

Please know and observe all prohibitions of use applicable to the products.

NEVER USE THE PRODUCTS FOR AN APPLICATION INVOLVING SERIOUS RISK TO LIFE OR PROPERTY WITHOUT ENSURING THAT THE SYSTEM AS A WHOLE HAS BEEN DESIGNED TO ADDRESS THE RISKS, AND THAT THE OMRON PRODUCTS ARE PROPERLY RATED AND INSTALLED FOR THE INTENDED USE WITHIN THE OVERALL EQUIPMENT OR SYSTEM.

PROGRAMMABLE PRODUCTS

OMRON shall not be responsible for the user's programming of a programmable product, or any consequence thereof.

Disclaimers

CHANGE IN SPECIFICATIONS

Product specifications and accessories may be changed at any time based on improvements and other reasons.

It is our practice to change model numbers when published ratings or features are changed, or when significant construction changes are made. However, some specifications of the products may be changed without any notice. When in doubt, special model numbers may be assigned to fix or establish key specifications for your application on your request. Please consult with your OMRON representative at any time to confirm actual specifications of purchased products.

DIMENSIONS AND WEIGHTS

Dimensions and weights are nominal and are not to be used for manufacturing purposes, even when tolerances are shown.

PERFORMANCE DATA

Performance data given in this catalog is provided as a guide for the user in determining suitability and does not constitute a warranty. It may represent the result of OMRON's test conditions, and the users must correlate it to actual application requirements. Actual performance is subject to the OMRON Warranty and Limitations of Liability.

ERRORS AND OMISSIONS

The information in this document has been carefully checked and is believed to be accurate; however, no responsibility is assumed for clerical, typographical, or proofreading errors, or omissions.

2012.11

In the interest of product improvement, specifications are subject to change without notice.

OMRON Corporation
Industrial Automation Company

<http://www.ia.omron.com/>

(c)Copyright OMRON Corporation 2012 All Right Reserved.

X-ON Electronics

Largest Supplier of Electrical and Electronic Components

Click to view similar products for [Specialised Cables](#) category:

Click to view products by [Omron](#) manufacturer:

Other Similar products are found below :

[603PT6](#) [603SS6L](#) [604PT6](#) [604SS6](#) [706000D02F200](#) [910640](#) [1200740077](#) [1200740114](#) [AC172](#) [ACL-SSI-4](#) [R88ACAKA0015SRE](#)
[R88ACAWL005SDE](#) [R88ACRGD0R3C](#) [1300150047](#) [1300660036](#) [1302262116](#) [1300150149](#) [1300220020](#) [1300220104](#) [1300220119](#)
[1301240492](#) [1301810221](#) [1365323-1](#) [1613055](#) [176P12](#) [1971465-2](#) [20240400003](#) [20240400013](#) [2085828-1](#) [20886510030](#) [2-22733-8](#) [22733-](#)
[8](#) [CB-5PSBC-RS](#) [CB-704EC-RS](#) [CB-BATACC-RS](#) [CB-JST3PSW-RS](#) [CB-M12COM-R10](#) [25AC84](#) [25AK84X](#) [25AU25](#) [25FN82](#) [3011-03](#)
[AC118](#) [ACL-HHS-1M\(CAT5E\)](#) [SSL009PC2DC012N](#) [FC2A-KC6C](#) [2085828-2](#) [20886510150](#) [CCS-FCB-5](#) [CCSFCBF2](#)