

Product List

DM9310

Description

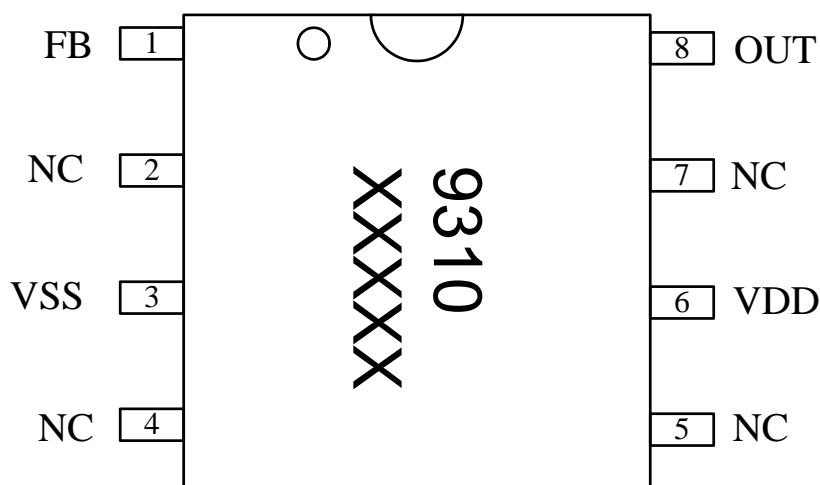
The DM9310 is a battery charger controller. It has hard-wire charging state machine. There is voltage feedback input from the battery. The battery charging profile will be supported by pulse width modulation output. And drive through an external MOSFET.

Features

- Operating Voltage: 4.5V ~ 5.5V
- Voltage feedback input.
- Digital charging control output
- Package type: 8L-SOP.

Pin Configuration

8 Pin SOP

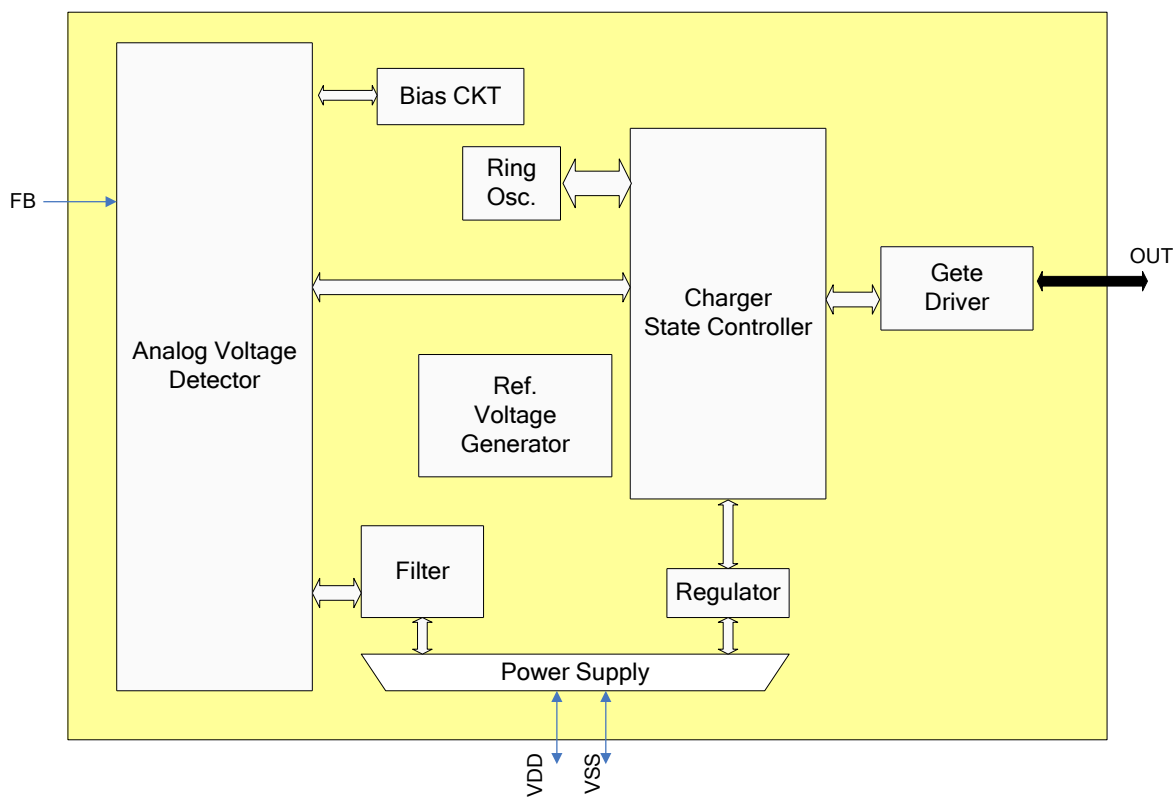


Top Marking Notes

Line-1: P/N

Line-2: Lot No.

Block Diagram



Pin Description

8L	Symbol	I/O	Description
1	FB	I	Voltage sense input
2	NC	-	NC
3	VSS	I	Power Supply
4	NC	-	NC
5	NC	-	NC
6	VDD	I	Power Supply
7	NC	-	NC
8	OUT	O	Gate Control Output

Operating Conditions

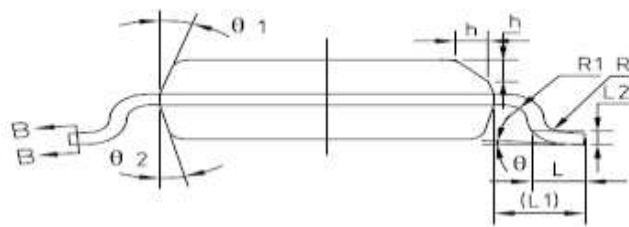
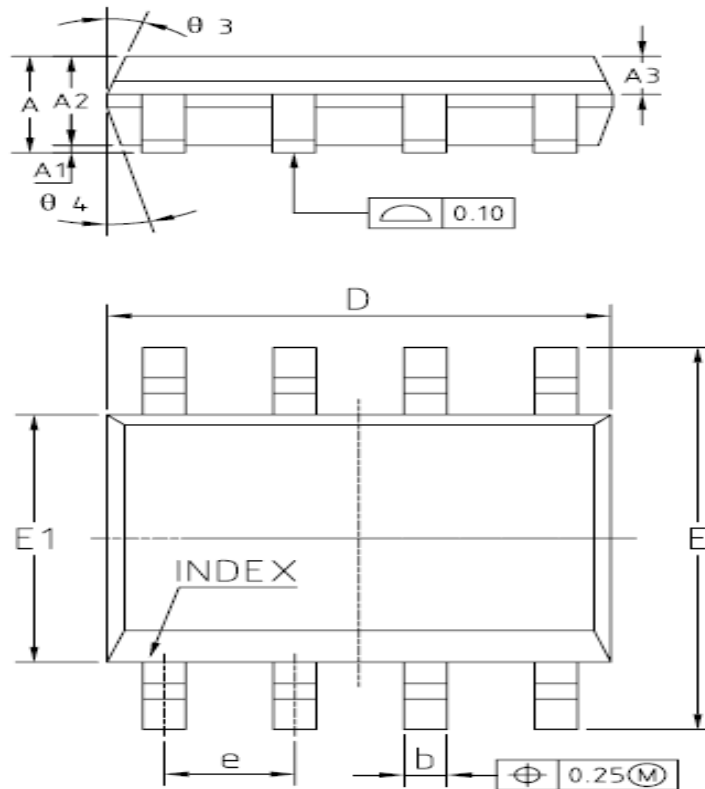
Symbol	Description	Min.	Typ.	Max.	Unit.	Remarks
TA	Operating temperature	-40	25	85	°C	Ambient temperature under bias
VDD	Supply voltage	1.8		5.5	V	
Vref	Internal reference voltage	1.1	1.2	1.3	V	

DC Characteristics

T_A = -40°C to 85°C, V_{dd} = 5.0V

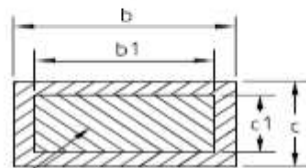
Symbol	Parameter	Valid	Min	Max	Units	Conditions
VIL1	Input Low-voltage	OUT, FB	-0.5	0.8	V	V _{dd} =5V
VIH1	Input High-voltage	OUT, FB	2.0	V _{CC} + 0.5	V	
VOL	Output Low-voltage	OUT, FB		0.4	V	I _{OL} =4.9mA
VOH1	Output High-voltage using Strong Pull-up ⁽¹⁾	OUT, FB	90% V _{CC}		V	I _{OH} = -4.6mA
			2.4		V	I _{OH} = -14mA
VOH2	Output High-voltage using Weak Pull-up ⁽²⁾	OUT, FB	2.4		V	I _{OH} = -250uA
IIL	Logic 0 Input Current	OUT, FB		-75	uA	V _{in} = 0.45V
ITL	Logical Transition Current	OUT, FB		-650	uA	V _{in} = 2.0V
ILI	Input Leakage Current	OUT, FB		±10	uA	0.45V<V _{in} <V _{CC}
ICC	Power Supply Current	VDD, VSS		5	mA	V _{dd} =5V 25 °C

Package Information



COMMON DIMENSIONS
(UNITS OF MEASURE=MILLIMETER)

SYMBOL	MIN	NOM	MAX
A	1.35	1.55	1.75
A1	0.05	0.15	0.25
A2	1.25	1.40	1.65
A3	0.50	0.60	0.70
b	0.38	—	0.51
b1	0.37	0.42	0.47
c	0.17	—	0.25
c1	0.17	0.20	0.23
D	4.80	4.90	5.00
E	5.80	6.00	6.20
E1	3.80	3.90	4.00
e	—	1.27BSC	—
L	0.45	0.60	0.80
L1	—	1.04REF	—
L2	—	0.25BSC	—
R	0.07	—	—
R1	0.07	—	—
h	0.30	0.40	0.50
theta	0°	—	8°
theta 1	15°	17°	19°
theta 2	11°	13°	15°
theta 3	15°	17°	19°
theta 4	11°	13°	15°



BASE METAL
SECTION B-B

NOTES:
ALL DIMENSIONS MEET JEDEC STANDARD MS-012 AA
DO NOT INCLUDE MOLD FLASH OR PROTRUSIONS.

IMPORTANT NOTICE

RIGHT TO MAKE CHANGES

On-Bright Electronics Corp. reserves the right to make corrections, modifications, enhancements, improvements, and other changes to its products and services at any time and to discontinue any product or service without notice. Customers should obtain the latest relevant information before placing orders and should verify that such information is current and complete.

WARRANTY INFORMATION

On-Bright Electronics Corp. warrants performance of its hardware products to the specifications applicable at the time of sale in accordance with its standard warranty. Testing and other quality control techniques are used to the extent it deems necessary to support this warranty. Except where mandated by government requirements, testing of all parameters of each product is not necessarily performed.

On-Bright Electronics Corp. assumes no liability for applications assistance or customer product design. Customers are responsible for their products and applications using On-Bright's components, data sheet and application notes. To minimize the risks associated with customer products and applications, customers should provide adequate design and operating safeguards.

LIFE SUPPORT

On-Bright Electronics Corp.'s products are not designed to be used as components in devices intended to support or sustain human life. On-bright Electronics Corp. will not be held liable for any damages or claims resulting from the use of its products in medical applications.

MILITARY

On-Bright Electronics Corp.'s products are not designed for use in military applications. On-Bright Electronics Corp. will not be held liable for any damages or claims resulting from the use of its products in military applications.

X-ON Electronics

Largest Supplier of Electrical and Electronic Components

Click to view similar products for [Battery Management](#) category:

Click to view products by [On-Bright](#) manufacturer:

Other Similar products are found below :

[MP2602DQ-LF-P](#) [MP26053DQ-LF-Z](#) [MP2611GL-P](#) [NCP347MTAHTBG](#) [LM3658SD-AEV/NOPB](#) [MP2607DL-LF-P](#) [MP26121DQ-LF-P](#)
[MP26123DR-LF-P](#) [MP2633GR-P](#) [MP2637GR-P](#) [BQ24212EVM-678](#) [NCP1855FCCT1G](#) [MP2636GR-P](#) [FAN54063UCX](#)
[MAX14680EWC+T](#) [MAX14634EWC+T](#) [DS2745U+T&R](#) [MAX14578EETE+T](#) [DS2781EVKIT+](#) [DS2781E+T&R](#) [MP2605DQ-LF-P](#)
[DS2710G+T&R](#) [MAX17040G+T](#) [MAX14525ETA+T](#) [MP2615GQ-P](#) [MAX14578EEWC+T](#) [LC05132C01NMTTGTG](#) [MAX8971EWP+T](#)
[MAX14630EZK+T](#) [MAX1873TEEE+T](#) [PSC5415A](#) [AUR9811DGD](#) [SN2040DSQR](#) [DS2715BZ+T&R](#) [MAX1508ZETA+T](#)
[MAX14921ECS+T](#) [MAX77301EWA+T](#) [BD8668GW-E2](#) [MAX16024PTBS+T](#) [DS2715Z+T&R](#) [MAX16024LTBZ18+T](#) [DS2782E+T&R](#)
[DS2782G+T&R](#) [MAX1908ETI+T](#) [ISL95522IRZ](#) [ISL95522HRZ](#) [ARD00558](#) [NCP4371AAEDR2G](#) [BD8665GW-E2](#) [MAX8934EETI+T](#)