

GENERAL DESCRIPTION

OB3626x is highly integrated Buck regulator with advanced features to provide high efficiency control and high precision constant current output for LED lighting applications.

OB3626x features variable fade-in time(gradual on) control. Through charging an external capacitor connected to FT pin, the fade-in time could be programmed.

The proprietary CC control scheme is used and high precision constant current regulation is realized.

OB3626x offers comprehensive protection coverage with auto-recovery features including LED open loop protection, LED short circuit protection, cycle-by-cycle current limiting, built-in leading edge blanking, VDD under voltage lockout (UVLO), over temperature protection (OTP), thermal foldback etc.

OB3626x is offered in DIP-8 & SOP-7 package.

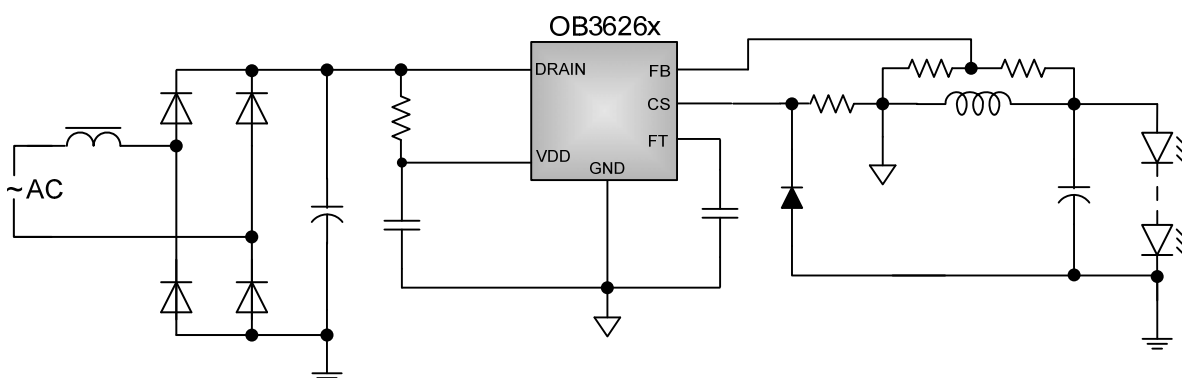
FEATURES

- High precision constant current regulation at universal AC input
- Programmable fade-in time
- Low system cost and high efficiency
- Quasi-Resonant operation
- Programmable CC regulation
- Thermal foldback function to control LED output current
- Insensitive to inductance and line voltage variation
- LED short circuit protection
- LED open loop protection
- Cycle-by-cycle current limiting
- Built-in leading edge blanking (LEB)
- VDD under voltage lockout with hysteresis
- Over temperature protection (OTP)

APPLICATIONS

- LED lighting

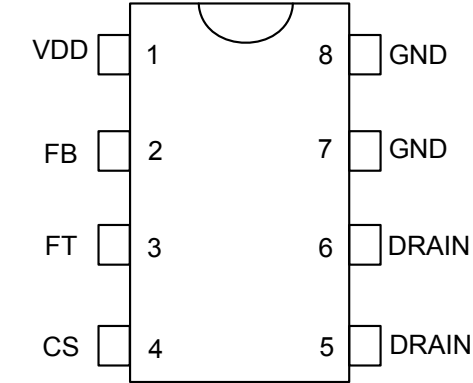
TYPICAL APPLICATION



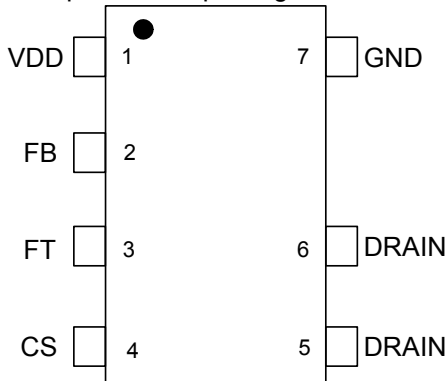
GENERAL INFORMATION

Pin Configuration

The pin map is shown as below.



Pin map for DIP-8 package



Pin map for SOP-7 package

Package Dissipation Rating

Package	R _{θJA} (°C/W)
SOP7	95
DIP8	75

Recommended Operating Condition

Symbol	Parameter	Range
VDD	VDD Supply Voltage	8 to 16.6V

Absolute Maximum Ratings

Parameter	Value
VDD Voltage	-0.3 to 20V
CS Input Voltage	-0.3 to 7V
FB Input Voltage	-0.3 to 7V
FT Input Voltage	-0.3 to 7V
DRAIN Voltage	-0.3 to 500V
Min/Max Operating Junction Temperature T _J	-40 to 150 °C
Operating Ambient Temperature T _A	-40 to 85 °C
Min/Max Storage Temperature T _{stg}	-55 to 150 °C
Lead Temperature (Soldering, 10secs)	260 °C

Note: Stresses beyond those listed under “absolute maximum ratings” may cause permanent damage to the device. These are stress ratings only, functional operation of the device at these or any other conditions beyond those indicated under “recommended operating conditions” is not implied. Exposure to absolute maximum-rated conditions for extended periods may affect device reliability.

Ordering Information

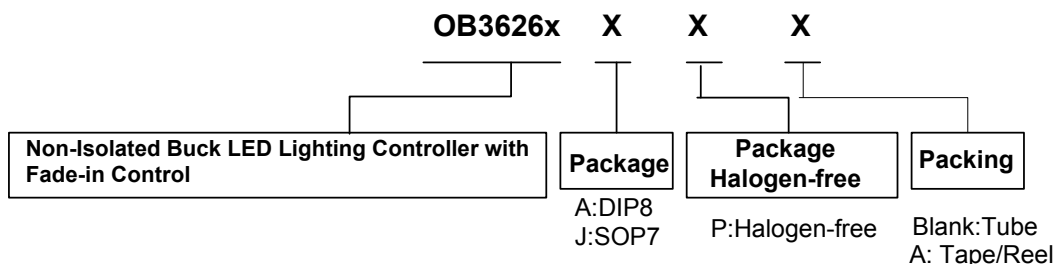
Part Number	Description
OB3626NJP	7Pin SOP, Halogen-free in Tube
OB3626NJPA	7Pin SOP, Halogen-free in T&R
OB3626PJP	7Pin SOP, Halogen-free in Tube
OB3626PJPA	7Pin SOP, Halogen-free in T&R
OB3626PAP	8Pin DIP, Halogen-free in Tube

Note: All Devices are offered in Halogen-free Package if not otherwise noted.

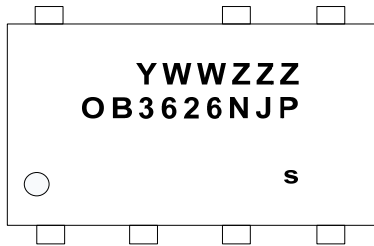
Output Power Table

Product	Condition	90Vac~264Vac Input	220Vac ±20% Input
OB3626NJP	I _o ≤ 0.25A	12W	24.5W
OB3626PJP	I _o ≤ 0.3A	17W	33.5W
OB3626PAP	I _o ≤ 0.35A	17W	27W

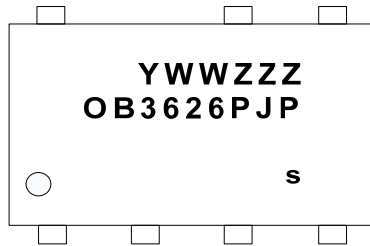
Note: Maximum practical continuous power in an open frame design with sufficient drain pattern as a heat sink, at 50°C ambient and 60°C temperature rise. Higher output power is possible with extra added heat sink, air circulation and decrease output current to reduce thermal resistance.



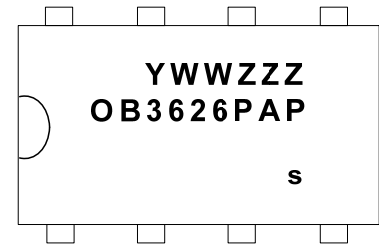
Marking Information



Y: Year Code
 WW: Week Code (01-52)
 ZZZ: Lot Code
 J: SOP7 (second row)
 P: Halogen-free Package
 S: Internal Code(Optional)



Y: Year Code
 WW: Week Code (01-52)
 ZZZ: Lot Code
 J: SOP7 (second row)
 P: Halogen-free Package
 S: Internal Code(Optional)



Y: Year Code
 WW: Week Code (01-52)
 ZZZ: Lot Code
 A: DIP8
 P: Halogen-free Package
 s: Internal Code(Optional)

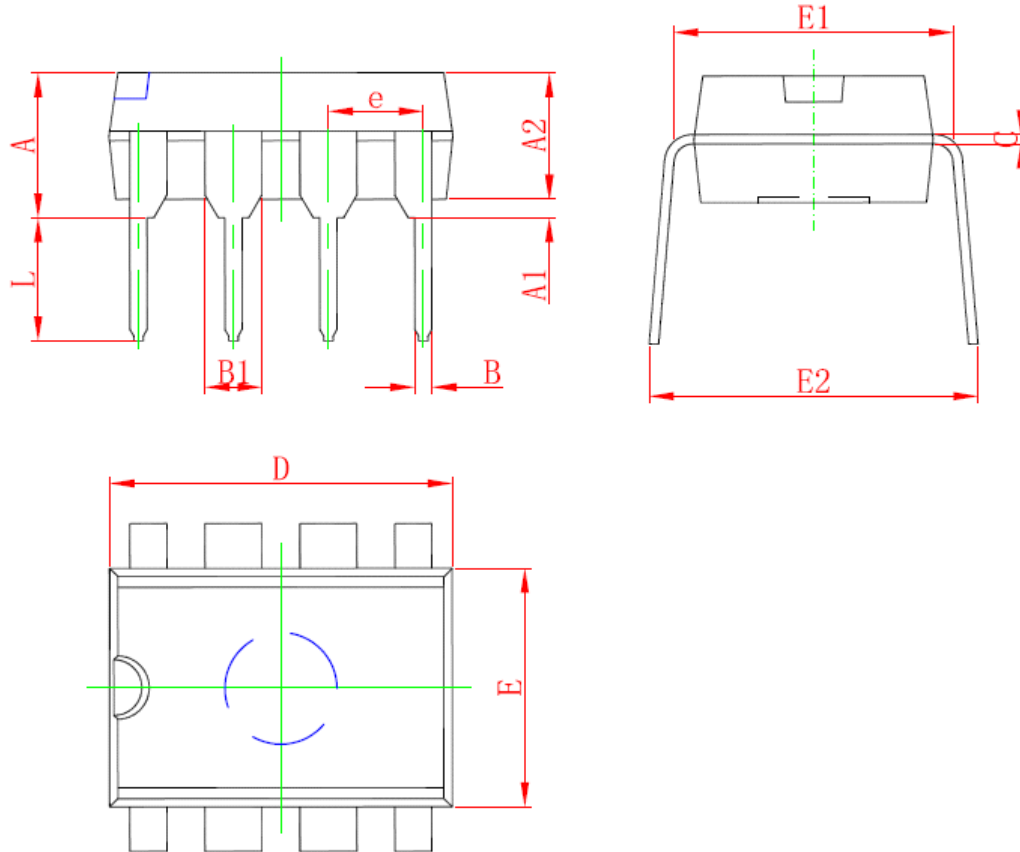
Terminal Assignments For DIP8

Pin Num	Pin Name	I/O	Description
1	VDD	P	Power supply input.
2	FB	I/O	The voltage feedback from output. Connected to resistor divider from output voltage.
3	FT	I/O	Fade-in time setting pin. Connect to an external capacitor to ground to set fade-in time.
4	CS	I/O	Current sensing terminal.
5,6	DRAIN	I/O	Drain of power MOSFET.
7,8	GND	P	Power Ground.

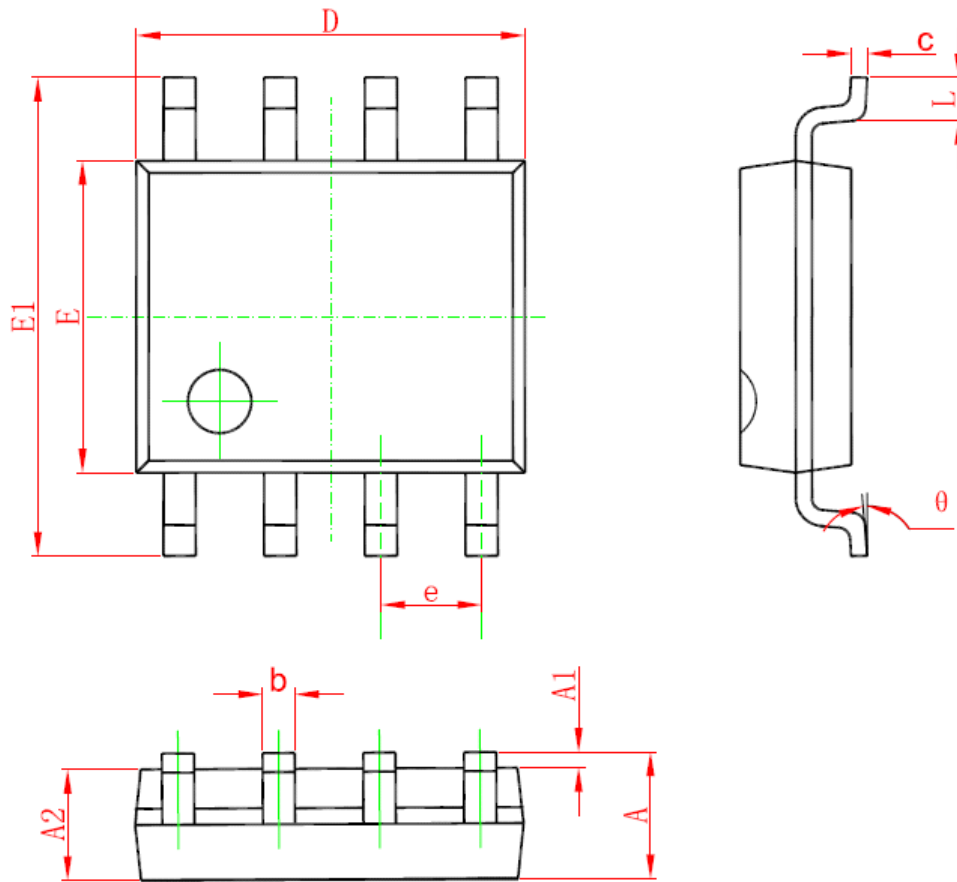
Terminal Assignments For SOP7

Pin Num	Pin Name	I/O	Description
1	VDD	P	Power supply input.
2	FB	I/O	The voltage feedback from output. Connected to resistor divider from output voltage.
3	FT	I/O	Fade-in time setting pin. Connect to an external capacitor to ground to set fade-in time.
4	CS	I/O	Current sensing terminal.
5,6	DRAIN	I/O	Drain of power MOSFET.
7	GND	P	Power Ground.

PACKAGE MECHANICAL DATA



Symbol	Dimensions In Millimeters		Dimensions In Inches	
	Min	Max	Min	Max
A	3.710	5.334	0.146	0.210
A1	0.381		0.015	
A2	2.921	4.953	0.115	0.195
B	0.350	0.650	0.014	0.026
B1	1.524 (BSC)		0.06 (BSC)	
C	0.200	0.360	0.008	0.014
D	9.000	10.160	0.354	0.400
E	6.096	7.112	0.240	0.280
E1	7.320	8.255	0.288	0.325
e	2.540 (BSC)		0.1 (BSC)	
L	2.921	3.810	0.115	0.150
E2	7.620	10.920	0.300	0.430



Symbol	Dimensions In Millimeters		Dimensions In Inches	
	Min	Max	Min	Max
A	1.350	1.750	0.053	0.069
A1	0.050	0.250	0.002	0.010
A2	1.250	1.650	0.049	0.065
b	0.310	0.510	0.012	0.020
c	0.100	0.250	0.004	0.010
D	4.700	5.150	0.185	0.203
E	3.800	4.000	0.150	0.157
E1	5.800	6.200	0.228	0.244
e	1.270 (BSC)		0.050 (BSC)	
L	0.400	1.270	0.016	0.050
θ	0°	8°	0°	8°

IMPORTANT NOTICE

RIGHT TO MAKE CHANGES

On-Bright Electronics Corp. reserves the right to make corrections, modifications, enhancements, improvements and other changes to its products and services at any time and to discontinue any product or service without notice. Customers should obtain the latest relevant information before placing orders and should verify that such information is current and complete.

WARRANTY INFORMATION

On-Bright Electronics Corp. warrants performance of its hardware products to the specifications applicable at the time of sale in accordance with its standard warranty. Testing and other quality control techniques are used to the extent it deems necessary to support this warranty. Except where mandated by government requirements, testing of all parameters of each product is not necessarily performed.

On-Bright Electronics Corp. assumes no liability for application assistance or customer product design. Customers are responsible for their products and applications using On-Bright's components, data sheet and application notes. To minimize the risks associated with customer products and applications, customers should provide adequate design and operating safeguards.

LIFE SUPPORT

On-Bright Electronics Corp.'s products are not designed to be used as components in devices intended to support or sustain human life. On-bright Electronics Corp. will not be held liable for any damages or claims resulting from the use of its products in medical applications.

MILITARY

On-Bright Electronics Corp.'s products are not designed for use in military applications. On-Bright Electronics Corp. will not be held liable for any damages or claims resulting from the use of its products in military applications.

X-ON Electronics

Largest Supplier of Electrical and Electronic Components

Click to view similar products for [LED Display Drivers](#) category:

Click to view products by [On-Bright](#) manufacturer:

Other Similar products are found below :

[MAP9000QNRH](#) [AP5726WUG-7](#) [AL8806QMP-13](#) [AP5726FDCG-7](#) [AS3693B-ZTQT](#) [AP5725WUG-7](#) [MAX139EQH+D](#) [STP16DP05PTR](#)
[STP16CPP05PTR](#) [STP16CPP05XTTR](#) [LV5236VZ-TLM-H](#) [BP9911CC](#) [ZXLD1366QEN8TC](#) [MT7725D](#) [TX6143](#) [SY6813PEC](#) [SD1002L4](#)
[AW3643CSR](#) [MP3370GN-Z](#) [LA2284L-G09-T](#) [SEDA](#) [SCT2027CSSG](#) [LYT3315D](#) [LYT3324D](#) [LYT4211E2](#) [LYT4214E2](#) [LYT4215E2](#)
[LYT4217E2](#) [LYT4218E2](#) [LYT4222E](#) [LYT4317E2](#) [LYT4321E](#) [LYT4323E](#) [LYT4324E3](#) [LYT4326E3](#) [TPS92020DR](#) [TPS92691PWPR](#)
[BCR420U](#) [HV9801ALG-G](#) [IS31FL3199-QFLS2-TR](#) [IS31FL3731-QFLS2-TR](#) [CAT4238TD](#) [SCT2001ASIG](#) [SCT2024CSTG](#) [SCT2167CSOG](#)
[SCT2167CSSG](#) [STP16CPPS05XTTR](#) [TLE4241GMFUMA1](#) [ICM7212MIQH+D](#) [ICM7212AIQH+D](#)