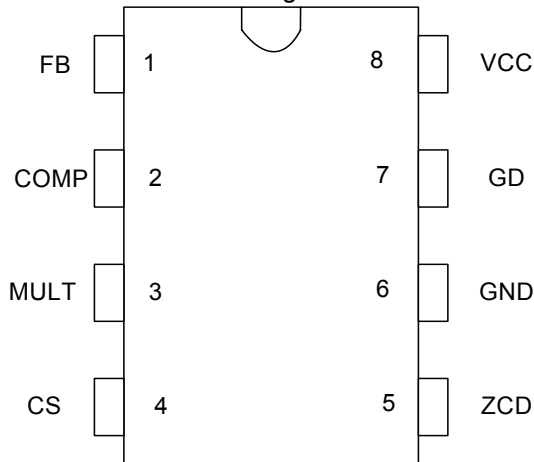




### GENERAL INFORMATION

#### Terminal Assignment

In SOP8 or DIP8 Package.



#### Ordering Information

Part Number	Description
SN03AAP	8 Pin DIP, Pb free in Tube
SN03ACP	8 Pin SOP, Pb free in Tube
SN03ACPA	8 Pin SOP, Pb free in T&R

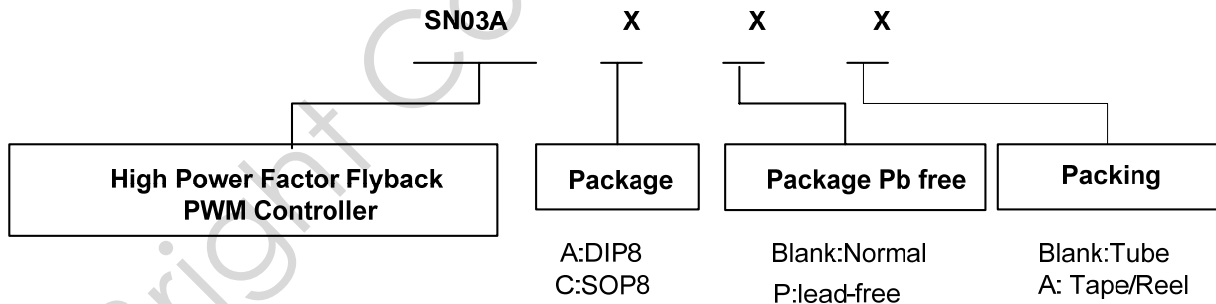
#### Package Dissipation Rating

Package	RθJA (°C/W)
DIP8	90
SOP8	150

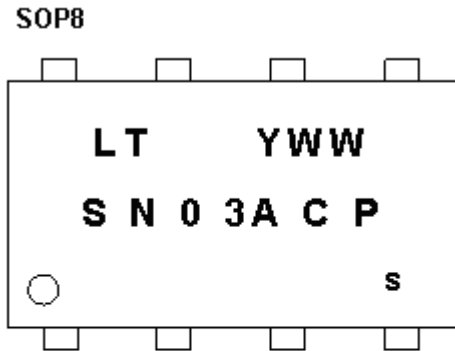
#### Absolute Maximum Ratings

Symbol	Parameter	Value
VCC	DC Supply voltage	Vz
I_ZCD	Zero Current Detector Max. Current	50mA(source) -10mA(sink)
CS FB COMP MULT	Analog inputs & outputs	-0.3 to 7V
Tj	Min/Max Operating Junction Temperature	-40 to 150 °C
Tstg	Min/Max Storage Temperature	-55 to 150 °C
Lead Temperature	(Soldering, 10secs)	260 °C

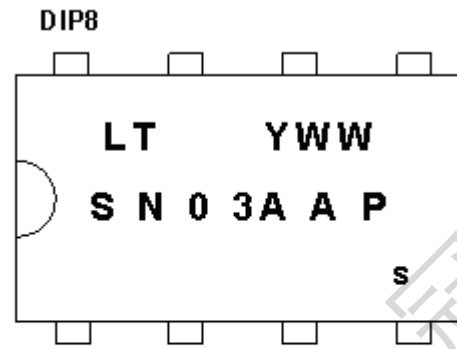
**Note:** Stresses beyond those listed under "absolute maximum ratings" may cause permanent damage to the device. These are stress ratings only, functional operation of the device at these or any other conditions beyond those indicated under "recommended operating conditions" is not implied. Exposure to absolute maximum-rated conditions for extended periods may affect device reliability.



### Marking Information



Y: Year Code  
 WW: Week Code (1-52)  
 C: SOP8  
 P: lead-free  
 s: internal code

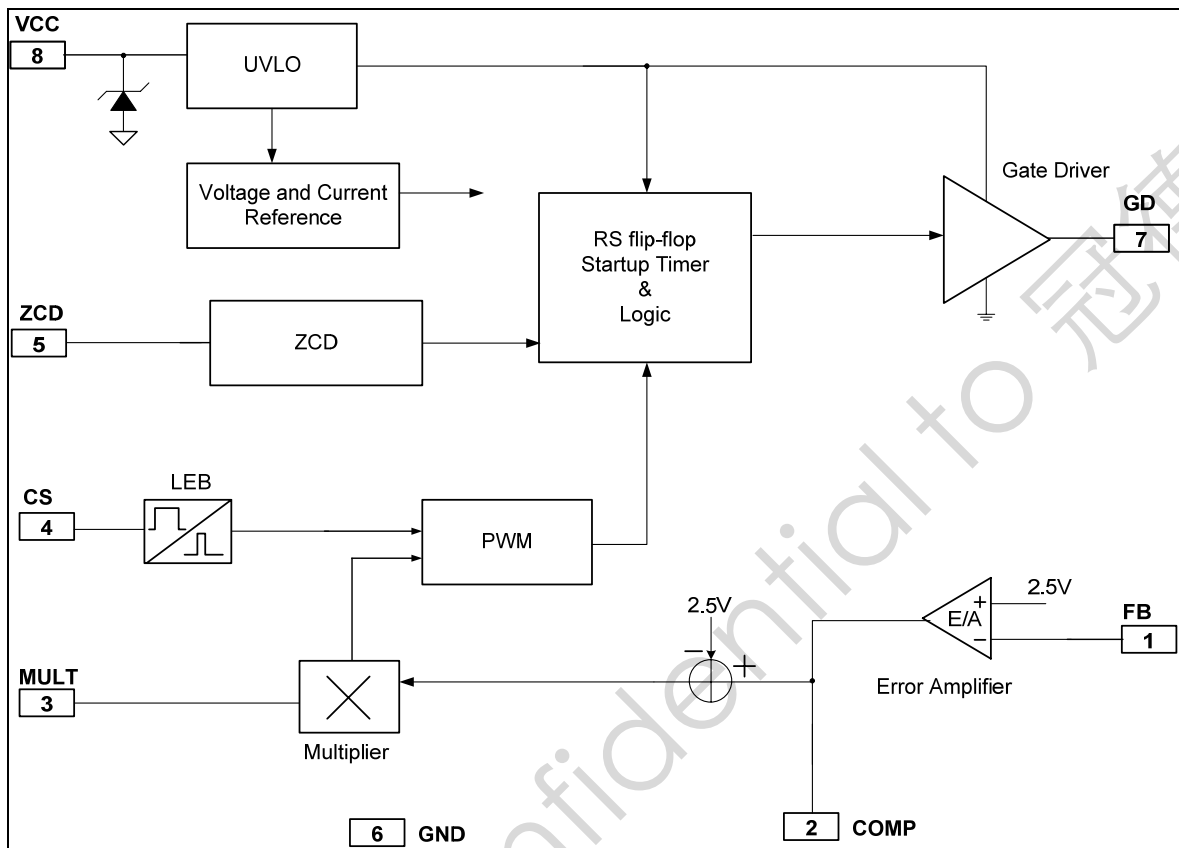


Y: Year Code  
 WW: Week Code (1-52)  
 A: DIP8  
 P: lead-free  
 s: internal code

### TERMINAL DESCRIPTIONS

Pin Num	Pin Name	I/O	Description
1	FB	I	Input of error amplifier.
2	COMP	O	Output of error amplifier. A feedback network is placed between FB and the COMP pin. The voltage of COMP and pin 4 generate PWM duty cycle.
3	MULT	I	Input of multiplier. Connected to line voltage after bridge diodes via a resistor divider to provide sinusoidal reference voltage to the current loop.
4	CS	I	Current sense input pin. Connected to MOSFET current sensing node.
5	ZCD	I	Zero Current Detection input. When activated, A new switching cycle starts.
6	GND	P	Ground pin
7	GD	O	Gate driver output. Drive power MOSFET.
8	VCC	P	DC supply voltage.

**BLOCK DIAGRAM**

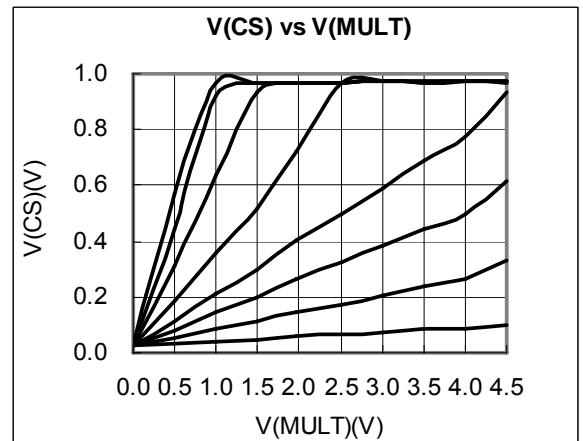
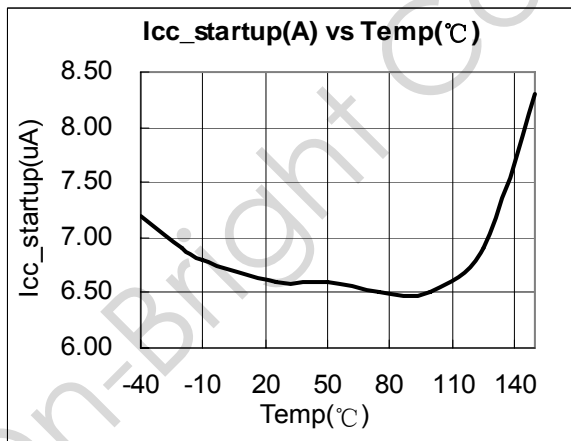
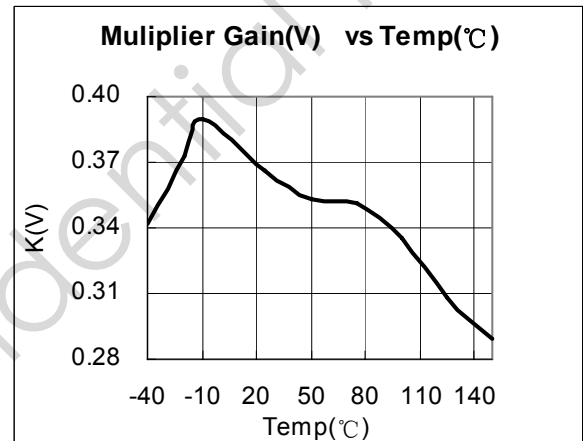
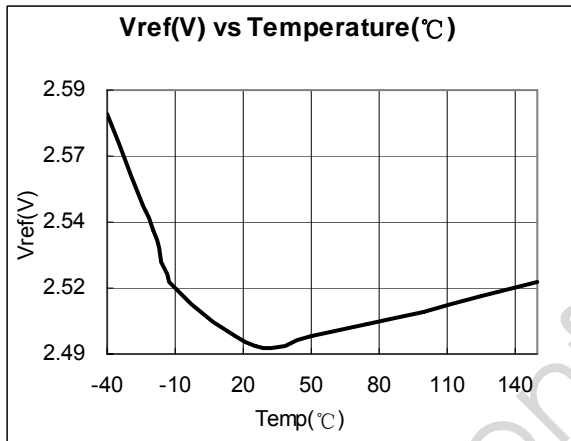
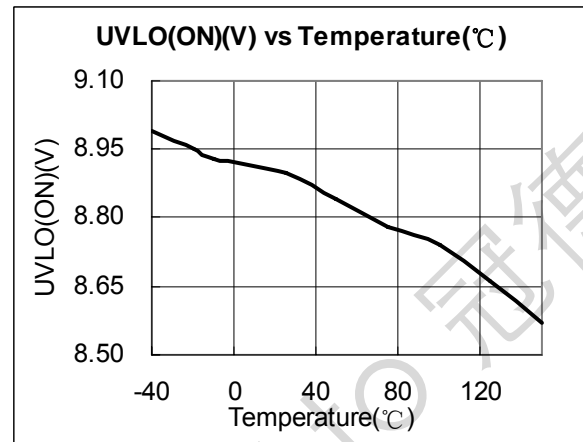
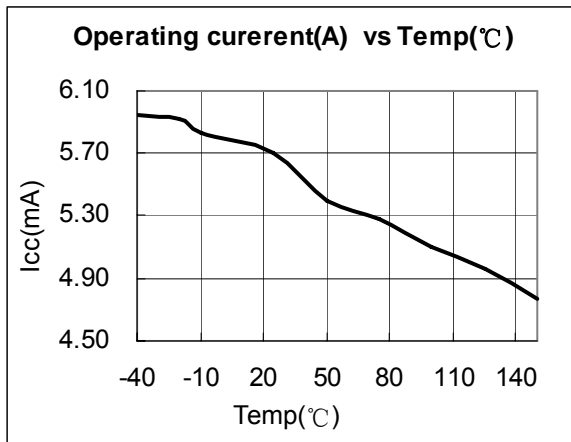


**ELECTRICAL CHARACTERISTICS**

 (T<sub>A</sub> = 25°C if not otherwise noted)

Symbol	Pin	Parameter	Test Conditions	Min	Typ	Max	Unit
<b>SUPPLY VOLTAGE SECTION</b>							
UVLO(OFF)	8	VCC under voltage lockout exit		15.5	16.5	17.5	V
UVLO(ON)	8	VCC under voltage lockout enter		8.0	8.8	9.6	V
Hys	8	Hysteresis			7.7		V
Vz	8	VCC Zener Clamp Voltage	I <sub>cc</sub> =5mA		38		V
V <sub>cc_ovp</sub>	8	VCC OVP threshold			36.5		V
<b>SUPPLY CURRENT SECTION</b>							
I <sub>cc-start</sub>	8	Start-up Current	V <sub>cc</sub> =15V		5	15	uA
I <sub>q</sub>	8	Quiescent Current, No Switching	V <sub>cc</sub> =18V		1.8	3	mA
I <sub>cc</sub>	8	Operating Supply Current	GD=1nf @ 70kHz		5	7	mA
<b>ERROR AMPLIFIER SECTION</b>							
VREF	1	EA Reference	V <sub>cc</sub> =18V	2.45	2.5	2.55	V
G <sub>v</sub>		Voltage Gain	Open Loop	60	80		dB
G <sub>b</sub>		Gain Bandwidth			1.2		MHz
I <sub>COMP</sub>	2	Source Current	COMP=3.6V, FB=2.4V	-2	-6	-10	mA
		Sink Current	COMP=3.6V, FB=2.6V	2	6	10	mA
V <sub>COMP</sub>	2	Upper Clamp Voltage	I <sub>source</sub> =0.5mA		4.9		V
		Lower Clamp Voltage	I <sub>sink</sub> =0.2mA		2.25		V
<b>MULTIPLIER SECTION</b>							
V <sub>mult</sub>	3	Linear Operating Range	COMP=3.0V	0 to 3.5			V
ΔV <sub>cs</sub> /ΔV <sub>mult</sub>		Output Max. Slope	V <sub>mult</sub> =from 0 to 0.5V, COMP=4.9V	0.95	1.1		V/V
K		Gain	V <sub>mult</sub> =1V, COMP=3.5V	0.28	0.36	0.44	1/V
<b>CURRENT SENSE COMPARATOR</b>							
V <sub>cs</sub>	4	Current Sense Reference Clamp	V <sub>mult</sub> =2.5V, COMP=4.9V	0.94	1.0	1.06	V
T <sub>d(H-L)</sub>	4	Delay to Output			200	450	ns
<b>ZERO CURRENT DETECTOR</b>							
V <sub>zcd</sub>	5	Input Threshold Voltage Trigger level			0.25		V
V <sub>zcd_hys</sub>		ZCD trigger Hysteresis			0.75		V
V <sub>zcd</sub>	5	Upper Clamp Voltage	I <sub>zcd</sub> =2.5mA	5.1	5.7	6.3	V
V <sub>zcd</sub>	5	Lower Clamp Voltage	I <sub>zcd</sub> =-2.5mA		0		V
I <sub>zcd</sub>	5	Source Current Capability		-3		-5	mA
I <sub>zcd</sub>	5	Sink Current Capability		3		10	mA
<b>STARTUP TIMER</b>							
T <sub>start</sub>		Re-Start Timer Period		45	55	65	us
<b>GATE DRIVE SECTION</b>							
V <sub>oL</sub>	7	Low Output Voltage	V <sub>cc</sub> =14.5V, I <sub>o</sub> =100mA			1.5	V
V <sub>oH</sub>	7	High Output Voltage	V <sub>cc</sub> =14.5V, I <sub>o</sub> =100mA	8			V
T <sub>r</sub>	7	Rising Time	C <sub>l</sub> =1000pF, 10~90%		80	150	ns
T <sub>f</sub>	7	Falling Time	C <sub>l</sub> =1000pF, 10~90%		30	70	ns
V <sub>oclamp</sub>	7	Output Clamp Voltage	V <sub>cc</sub> =28V		16	18	V

**TYPICAL PERFORMANCE CHART**



### OPERATIONAL DESCRIPTION

SN03A is a high power factor flyback PWM controller special for lighting application. The transition mode control greatly reduces the switch turn-on loss, improves the conversion efficiency and provides very good power factor correction.

- **Startup Current and Start up Control**

The typical startup current of SN03A is 5uA when the VCC pin is lower than the UVLO threshold so that VCC could be charged up and start up the device. A high value, low wattage startup resistor can therefore be used to minimize the power loss during the normal operation.

- **PWM Modulator**

SN03A employs peak current control in flyback system with power factor correction. The PWM stage compares the COMP signal (EA output) with CS pin voltage to generate PWM duty cycle. A new PWM cycle is always triggered by the Zero Current Detection (ZCD) block, and exits whenever the CS voltage exceeds COMP voltage.

- **Error Amplifier**

The inverting input of the Error Amplifier (E/A) is compared to an internal reference voltage (2.5V) to determine COMP voltage. An external loop compensation network is placed between COMP and FB. COMP is subtracted by 2.5V and then is internally connected to the multiplier input, as shown in figure 1.

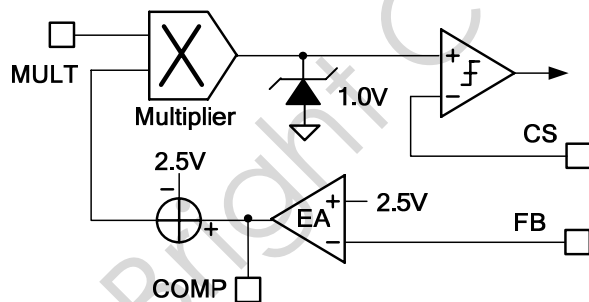


Fig.1

- **Analog Multiplier for Power Factor Correction**

The built-in analog multiplier output limits the MOSFET peak current with respect to the AC half wave rectified input voltage. Through controlling the CS comparator threshold as the AC line voltage traverses sinusoidally from zero to peak line voltage, the load appears to be resistive to the AC line and near to unity power factor can be achieved. In SN03A, the two inputs for the multiplier are designed to achieve good linearity

over a wide dynamic range to represent an AC line free from distortion. Special efforts have been made to assure universal line applications with respect to a 90 to 264 VAC range. The multiplier output is internally clamped to 1.0V, as shown in Fig.1.

- **Current Sensing Comparator and Leading Edge Blanking**

Cycle-by-Cycle current limiting is offered in SN03A. The switch current is detected by a sense resistor into the sense pin. An internal leading edge blanking circuit chops off the sense voltage spike at initial MOSFET on state due to Snubber diode reverse recovery so that the external RC filtering on sense input is no longer required. The current limit comparator is disabled and thus cannot turn off the external MOSFET during the blanking period. PWM duty cycle is determined by the current sense input voltage and COMP pin voltage.

- **Zero Current Detection**

SN03A performs zero current detection (ZCD) by monitoring the voltage activity on the auxiliary windings through ZCD pin in series with an external resistor. This voltage features a flyback polarity. When the stored energy of the flyback transformer is fully released to the output, the voltage at ZCD pin decreases. When ZCD pin voltage falls below 0.25V, an internal ZCD comparator is triggered and a new PWM switching cycle is initiated following the ZCD triggering. If no zero current triggering signal is detected on ZCD pin, the "Startup Timer" block in SN03A will generate a restart signal in 55 usec (typ.) after the last PWM signal. The maximum and minimum voltage of ZCD pin is internally clamped to 5.8V and 0V respectively.

- **Gate Drive Output**

The output stage is designed to ensure zero cross-conduction current. This minimizes heat dissipation, increase efficiency, and enhance reliability. The output driver is also slew rate controlled to minimize EMI. The built-in 16V clamp at the gate output protects the MOSFET gate from high voltage stress.

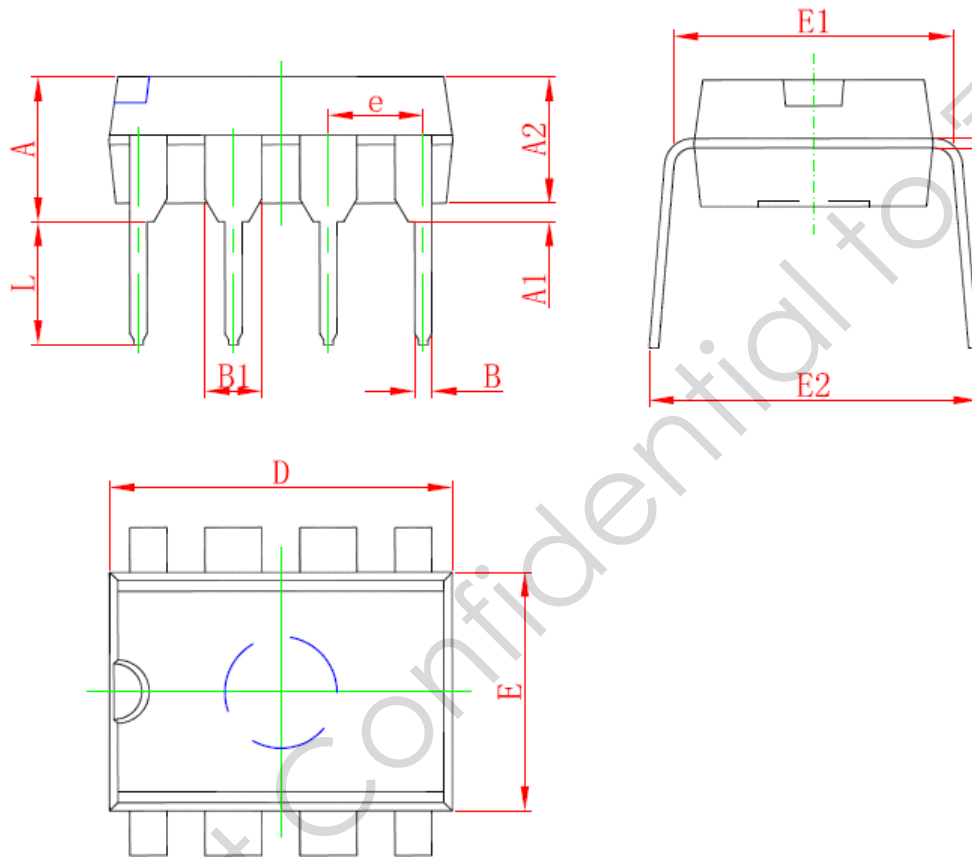
- **Protection Controls**

SN03A ensures good reliability design through its good protection coverage. VCC under voltage lockout (UVLO), VCC over voltage protection(auto recovery), Cycle-by-cycle current limiting and output gate clamp are standard features provided by SN03A.

**PACKAGE MECHANICAL DATA**

**8-Pin Plastic DIP**

**DIP8 PACKAGE OUTLINE DIMENSIONS**

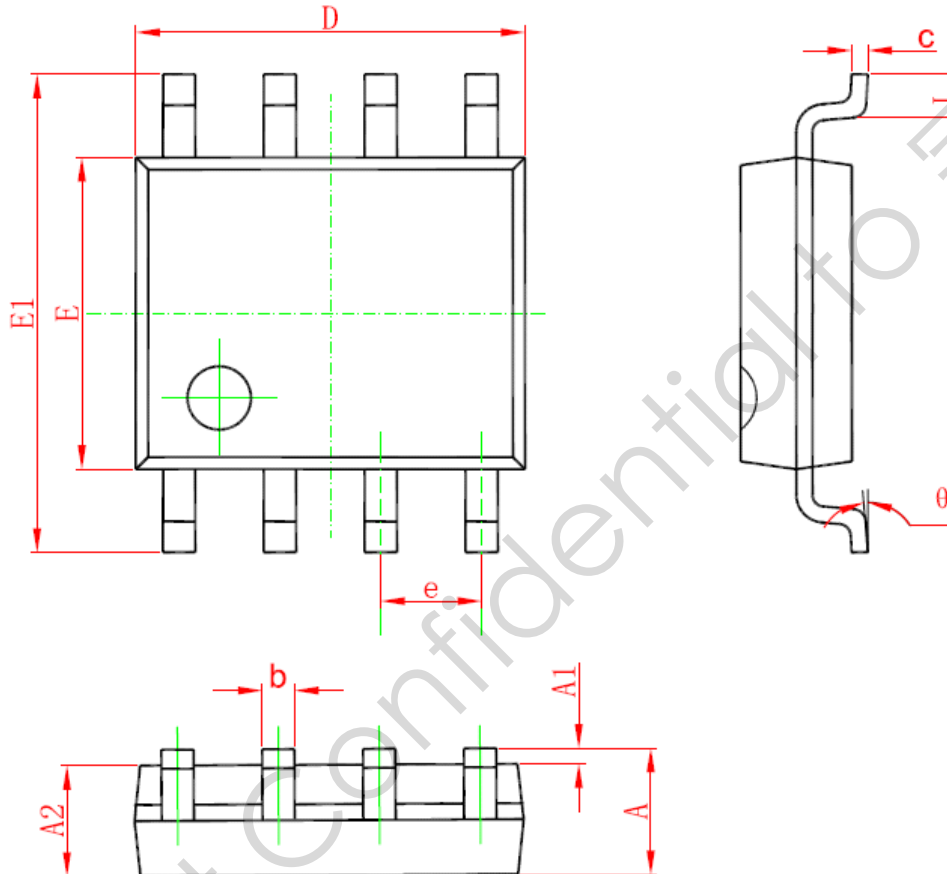


Symbol	Dimensions In Millimeters		Dimensions In Inches	
	Min	Max	Min	Max
A	3.710	5.334	0.146	0.210
A1	0.381		0.015	
A2	3.175	3.600	0.125	0.142
B	0.350	0.650	0.014	0.026
B1	1.524 (BSC)		0.06 (BSC)	
C	0.200	0.360	0.008	0.014
D	9.000	10.160	0.354	0.400
E	6.200	6.600	0.244	0.260
E1	7.320	7.920	0.288	0.312
e	2.540 (BSC)		0.1 (BSC)	
L	2.921	3.810	0.115	0.150
E2	8.200	9.525	0.323	0.375



8-Pin Plastic SOP

SOP8 PACKAGE OUTLINE DIMENSIONS



Symbol	Dimensions In Millimeters		Dimensions In Inches	
	Min	Max	Min	Max
A	1.350	1.750	0.053	0.069
A1	0.050	0.250	0.002	0.010
A2	1.250	1.650	0.049	0.065
b	0.310	0.510	0.012	0.020
c	0.170	0.250	0.006	0.010
D	4.700	5.150	0.185	0.203
E	3.800	4.000	0.150	0.157
E1	5.800	6.200	0.228	0.244
e	1.270 (BSC)		0.05 (BSC)	
L	0.400	1.270	0.016	0.050
θ	0°	8°	0°	8°

## **IMPORTANT NOTICE**

### **RIGHT TO MAKE CHANGES**

On-Bright Electronics Corp. reserves the right to make corrections, modifications, enhancements, improvements and other changes to its products and services at any time and to discontinue any product or service without notice. Customers should obtain the latest relevant information before placing orders and should verify that such information is current and complete.

### **WARRANTY INFORMATION**

On-Bright Electronics Corp. warrants performance of its hardware products to the specifications applicable at the time of sale in accordance with its standard warranty. Testing and other quality control techniques are used to the extent it deems necessary to support this warranty. Except where mandated by government requirements, testing of all parameters of each product is not necessarily performed.

On-Bright Electronics Corp. assumes no liability for application assistance or customer product design. Customers are responsible for their products and applications using On-Bright's components, data sheet and application notes. To minimize the risks associated with customer products and applications, customers should provide adequate design and operating safeguards.

### **LIFE SUPPORT**

On-Bright Electronics Corp.'s products are not designed to be used as components in devices intended to support or sustain human life. On-bright Electronics Corp. will not be held liable for any damages or claims resulting from the use of its products in medical applications.

### **MILITARY**

On-Bright Electronics Corp.'s products are not designed for use in military applications. On-Bright Electronics Corp. will not be held liable for any damages or claims resulting from the use of its products in military applications.

## X-ON Electronics

Largest Supplier of Electrical and Electronic Components

*Click to view similar products for [Switching Controllers](#) category:*

*Click to view products by [On-Bright](#) manufacturer:*

Other Similar products are found below :

[LV5065VB-TLM-H](#) [LV5066V-TLM-H](#) [LV5725JAZ-AH](#) [AP3844CMTR-E1](#) [NCP1218AD65R2G](#) [NCP1234AD100R2G](#)  
[NCP1244BD065R2G](#) [NCP1336ADR2G](#) [NCP1587GDR2G](#) [NCP6153MNTWG](#) [NCP81101BMNTXG](#) [NCP81205MNTXG](#) [CAT874-80ULGT3](#) [SJE6600](#) [AZ7500BMTR-E1](#) [IR35215MTRPBF](#) [SG3845DM](#) [NCP4204MNTXG](#) [NCP6132AMNR2G](#) [NCP81102MNTXG](#)  
[NCP81203MNTXG](#) [NCP81206MNTXG](#) [NX2155HCUPTR](#) [UBA2051C](#) [IR35201MTRPBF](#) [AP3842CMTR-E1](#) [NCP1247AD065R2G](#)  
[NCP1015ST65T3G](#) [NCP1240AD065R2G](#) [NCP1240FD065R2G](#) [NCP1361BABAYSNT1G](#) [NCP1230P100G](#) [NCP1612BDR2G](#)  
[NX2124CSTR](#) [SG2845M](#) [NCP1366BABAYDR2G](#) [NCP81101MNTXG](#) [TEA19362T/1J](#) [NCP81174NMNTXG](#) [NCP4308DMTTWG](#)  
[NCP4308DMNTWG](#) [NCP4308AMTTWG](#) [NCP1366AABAYDR2G](#) [NCP1256ASN65T1G](#) [NCP1251FSN65T1G](#) [NCP1246BLD065R2G](#)  
[MB39A136PFT-G-BND-ERE1](#) [NCP1256BSN100T1G](#) [LV5768V-A-TLM-E](#) [NCP1365AABCYDR2G](#)