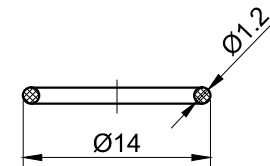
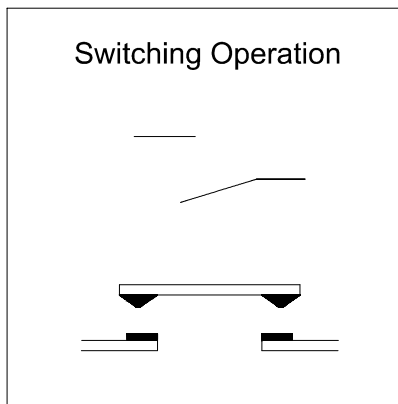


PANEL CUTOUT
MAX.PANEL THICKNESS
6 mm



Seal Ring



Part Number: GQ16H-10/J/◎

"◎"	Crust Material
N	Nickel Plated Brass
S	Stainless Steel
A	Al alloy(black)
G	Gold Plated Brass

SPECIFICATIONS:

- 1.Switch Rating: AC220V/0.5A, DC36V/2A.
- 2.Mechanical Life: ≥1,000,000cycles.
- 3.Electrical Life: ≥200,000cycles(DC 36V);
≥50,000cycles(AC 220V).
- 4.Contact Resistance: ≤50mΩ.
- 5.Insulation Resistance: ≥1,000MΩ.
- 6.Dielectric Strength: 1,500V, RMS 50Hz, 1min.
- 7.Operating Temperature: -25°C~ +55°C(No Freezing).
- 8.Operating Force: About 4N.
- 9.Operating Travel: About 2mm.
- 10.Torque: About 0.6Nm max.applied to nut.
- 11.Protection degree: IP65;IK08.
- 12.Terminal Type: Pin Terminal(2 x 0.5mm).

MATERIALS:

- 1.Contact: Silver alloy.
- 2.Button: ◎.
- 3.Body: ◎.
- 4.Base: PA.

BRAND
品牌 **ONPOW**

红波按钮制造有限公司
ONPOW PUSH BUTTON MANUFACTURE CO.,LTD.

THESE DRAWINGS AND SPECIFICATIONS ARE THE PROPERTY OF ONPOW PUSH BUTTON MANUFACTURE CO.,LTD. AND SHALL NOT BE REPRODUCED COPIED OR USED IN ANY MANNER WITHOUT THE PRIOR WRITTEN CONSENT OF ONPOW PUSH BUTTON MANUFACTURE CO.,LTD.

用途	APPD 审核	CH	2020/04/13
FINISH 处理	CHKD 校对	NCH	2020/04/13
SCALE 比例 1.8 / 1	UNIT 单位 mm	DR. 制图	ZPD 2020/04/13

DIMENSIONS	TOLERANCE
0.00 TO 18.00mm	±0.43mm
18.01 TO 30.00mm	±0.52mm
30.01 TO 50.00mm	±0.62mm
50.01 TO 80.00mm	±0.74mm

TITLE 名称	GQ Series Anti-vandal push button				
DWG NO. 图号	GQ16H-10J				
FILE NAME 档案名称	GQ16-10J.DWG	SHEET 张	1 / 1	REV. 更改	1

1

2

3

4

5

6

7

A

B

C

D

E

1

2

3

4

5

6

7

X-ON Electronics

Largest Supplier of Electrical and Electronic Components

Click to view similar products for [Pushbutton Switches](#) category:

Click to view products by [Onpow](#) manufacturer:

Other Similar products are found below :

[8971K1133](#) [LW2L-M1C20M-A](#) [01-153.025](#) [M22-D-R-GB0/K11](#) [67021K512](#) [701PB580](#) [7199K101](#) [810K12910](#) [810KSV30B](#) [FLT 2U EE](#)
[01A](#) [MML21EA2ADK](#) [MML21KA3ABK](#) [MML23KW3AA01W](#) [8418K2](#) [8442K3](#) [8450K1](#) [860K11911T01A](#) [861901](#) [861K11911T01A07](#)
[861K13810T00A14](#) [861K13911](#) [8646AB6X718UL](#) [9533CD4+U574+U4922](#) [99-450.837](#) [99-453.837](#) [A2PMA1X03EC56](#) [A3A-7310](#) [A3A-](#)
[7340](#) [12037A2ULCSA](#) [1203A2UL](#) [ABGW410-R](#) [1211390004](#) [ABN400-R](#) [121382](#) [1213C3](#) [HE3B-M2](#) [1211500044](#) [121194](#) [1212MRA](#)
[1232A6NF](#) [121489](#) [1223A2ULCSA](#) [D5P-MT4](#) [13435AG](#) [13445AD29GX768](#) [AG23-L2](#) [AH165-2SGLG1TE3](#) [AH165-TGFY22](#) [AH165-](#)
[TGL5Y11E3](#) [AH165-TGLR11AA3](#)