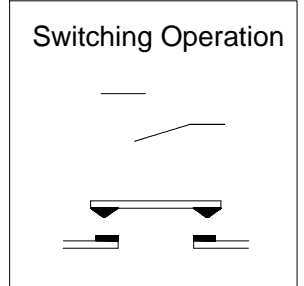
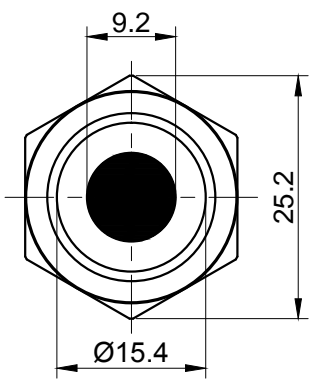
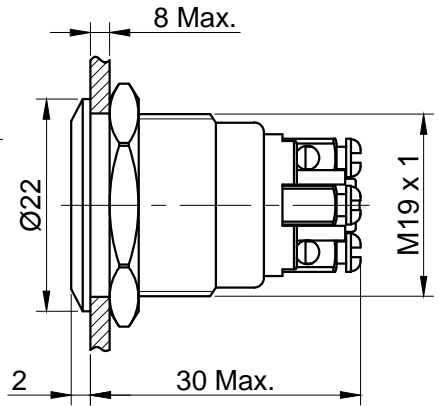
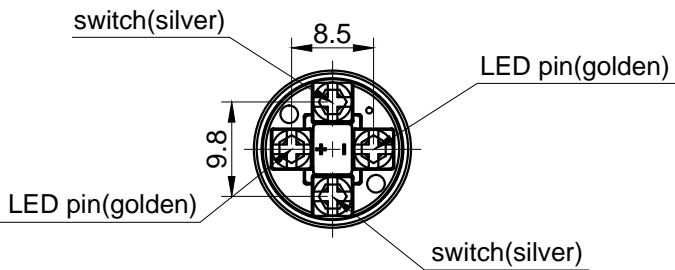
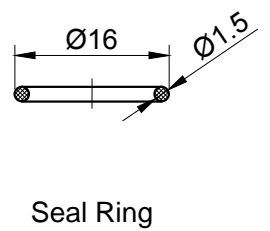
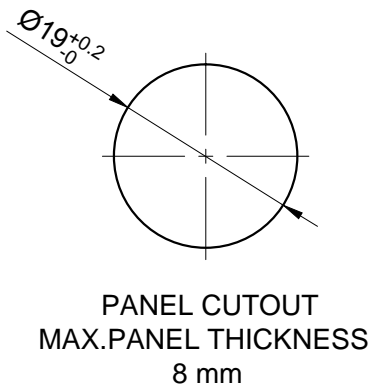


FOR 客户名称	APPROVED 客户确认签字	ATTN 销售负责人



The shaded part is illuminated



Part Number:GQ19F-10D/△/▲/◎

"△"	Lamp Color	"▲"	Lamp Voltage	"◎"	Crust Material
R	Red	6V	AC/DC 6V	N	Nickel Plated Brass
G	Green	12V	AC/DC 12V	S	Stainless Steel
Y	Yellow	24V	AC/DC 24V	A	Al alloy(black)
B	Blue	36V	AC/DC 36V		
W	White	110V	AC/DC 110V		
		220V	AC/DC 220V		
Other voltage can be made to order					

SPECIFICATIONS:

- 1.Switch Rating: AC220V/0.5A, DC36V/2A.
- 2.Mechanical Life: ≥1,000,000cycles.
- 3.Electrical Life: ≥200,000cycles(DC36V)
≥50,000cycles(AC220V).
- 4.Contact Resistance: ≤50mΩ.
- 5.Insulation Resistance: ≥1,000MΩ.
- 6.Dielectric Strength: 1,500V, RMS 50Hz, 1min.
- 7.Operating Temperature: -25℃~ +55℃(No Freezing).
- 8.Operating Force: About 3N.
- 9.Operating Travel: About 2.5mm.
- 10.Torque: About 0.8Nm max.applied to nut.
- 11.Protection degree: IP65;IK08.
- 12.Terminal Type: Screw Terminal.

MATERIALS:

- 1.Contact: Silver alloy.
- 2.Button: ◎.
- 3.Body: ◎.
- 4.Base: PBT.

BRAND 品牌 ONPOW	红波按钮制造有限公司 ONPOW PUSH BUTTON MANUFACTURE CO.,LTD.			
	USED 用途	APPD 审核	CH 2020/04/23	
THESE DRAWINGS AND SPECIFICATIONS ARE THE PROPERTY OF ONPOW PUSH BUTTON MANUFACTURE CO.,LTD. AND SHALL NOT BE REPRODUCED COPIED OR USED IN ANY MANNER WITHOUT THE PRIOR WRITTEN CONSENT OF ONPOW PUSH BUTTON MANUFACTURE CO.,LTD.	FINISH 处理	CHKD 校对	NCH 2020/04/23	
	SCALE 比例	UNIT 单位	DR. 制图	ZPD 2020/04/23
DIMENSIONS	TOLERANCE	TITLE 名称	GQ Series Anti-vandal push button	
0.00 TO 18.00mm	±0.43mm	DWG NO. 图号	GQ19F-10D	
18.01 TO 30.00mm	±0.52mm	FILE NAME 档案名称	GQ19-D.DWG	SHEET 张
30.01 TO 50.00mm	±0.62mm			1 / 1
50.01 TO 80.00mm	±0.74mm			REV. 更改
				1

X-ON Electronics

Largest Supplier of Electrical and Electronic Components

Click to view similar products for [Pushbutton Switches](#) category:

Click to view products by [Onpow](#) manufacturer:

Other Similar products are found below :

[8971K1133](#) [LW2L-M1C20M-A](#) [01-153.025](#) [M22-D-R-GB0/K11](#) [67021K512](#) [701PB580](#) [7199K101](#) [810K12910](#) [810KSV30B](#) [FLT 2U EE](#)
[01A](#) [MML21EA2ADK](#) [MML21KA3ABK](#) [MML23KW3AA01W](#) [8418K2](#) [8442K3](#) [8450K1](#) [860K11911T01A](#) [861901](#) [861K11911T01A07](#)
[861K13810T00A14](#) [861K13911](#) [8646AB6X718UL](#) [9533CD4+U574+U4922](#) [99-450.837](#) [99-453.837](#) [A2PMA1X03EC56](#) [A3A-7310](#) [A3A-](#)
[7340](#) [12037A2ULCSA](#) [1203A2UL](#) [ABGW410-R](#) [1211390004](#) [ABN400-R](#) [121382](#) [1213C3](#) [HE3B-M2](#) [1211500044](#) [121194](#) [1212MRA](#)
[1232A6NF](#) [121489](#) [1223A2ULCSA](#) [D5P-MT4](#) [13435AG](#) [13445AD29GX768](#) [AG23-L2](#) [AH165-2SGLG1TE3](#) [AH165-TGFY22](#) [AH165-](#)
[TGL5Y11E3](#) [AH165-TGLR11AA3](#)