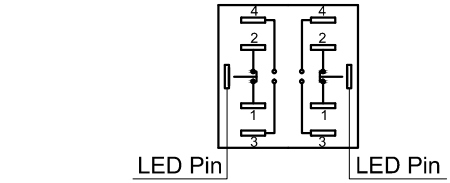
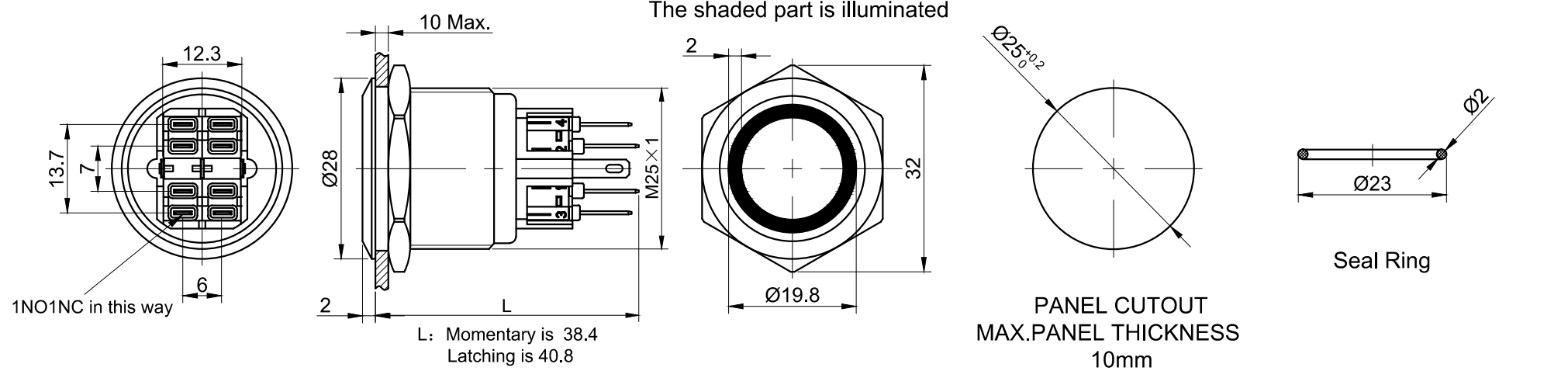


FOR 客户名称	APPROVED 客户确认签字	ATTN 销售负责人



Contact Composition
1、2、3、4 are one set.
1,2 are normal closed(NC);
3,4 are normal opened(NO).

"□"	Contact structure
11	1NO1NC
22	2NO2NC

"■"	Operation mode
No Letter	Momentary
Z	Latching

"△"	Lamp Color
R	Red
G	Green
Y	Yellow
B	Blue
W	White

"▲"	Lamp Voltage
6V	AC/DC 6V
12V	AC/DC 12V
24V	AC/DC 24V
110V	AC/DC 110V
220V	AC/DC 220V
Other voltage can be made to order	

"◎"	Crust material
S	Stainless steel
A	Al alloy(black)

Part Number:GQ25-□■E/△/▲/◎

- MATERIALS:**
- Contact: Silver alloy.
 - Button: ◎.
 - Body: ◎.
 - Base: PA.

SPECIFICATIONS:

- Switch Rating: AC220V/2A, DC220V/0.1A.
- Mechanical Life: ≥1,000,000cycles.
- Electrical Life: ≥50,000cycles.
- Contact Resistance: ≤50mΩ.
- Insulation Resistance: ≥1,000MΩ.
- Dielectric Strength: 1,500V, RMS 50Hz, 1min.
- Operating Temperature: -25°C ~ +55°C(No Freezing).
- Operating Force: About 5N(1NO1NC)/About 7.5N(2NO2NC).
- Operating Travel: About 2.5mm.
- Torque: About 0.6Nm max.applied to nut.
- Protection degree: IP65,IP67(Momentary can made to order);IK10.
- Terminal Type: Pin Terminal(2.8 x 0.5mm).

BRAND 品牌	ONPOW	红波按钮制造有限公司 ONPOW PUSH BUTTON MANUFACTURE CO.,LTD.	
THESE DRAWINGS AND SPECIFICATIONS ARE THE PROPERTY OF ONPOW PUSH BUTTON MANUFACTURE CO.,LTD. AND SHALL NOT BE REPRODUCED COPIED OR USED IN ANY MANNER WITHOUT THE PRIOR WRITTEN CONSENT OF ONPOW PUSH BUTTON MANUFACTURE CO.,LTD.		USED 用途	APPD 审核 CH 2020/03/04
FINISH 处理		SCALE 比例 1.1 / 1	CHKD 校对 NCH 2020/03/04
UNIT 单位 mm		DR. 制图 ZPD 2020/03/04	
DIMENSIONS		TITLE 名称 GQ Series Anti-vandal push button	
TOLERANCE		DWG NO. 图号 GQ25-E	
0.00 TO 18.00mm ±0.43mm		FILE NAME 档案名称 GQ25-E.DWG	
18.01 TO 30.00mm ±0.52mm		SHEET 张 1 / 1	
30.01 TO 50.00mm ±0.62mm		REV. 更改 1	
50.01 TO 80.00mm ±0.74mm		SIZE 图纸 A4	

X-ON Electronics

Largest Supplier of Electrical and Electronic Components

Click to view similar products for [Pushbutton Switches](#) category:

Click to view products by [Onpow](#) manufacturer:

Other Similar products are found below :

[8971K1133](#) [LW2L-M1C20M-A](#) [01-153.025](#) [M22-D-R-GB0/K11](#) [67021K512](#) [701PB580](#) [7199K101](#) [810K12910](#) [810KSV30B](#) [FLT 2U EE](#)
[01A](#) [MML21EA2ADK](#) [MML21KA3ABK](#) [MML23KW3AA01W](#) [8418K2](#) [8442K3](#) [8450K1](#) [860K11911T01A](#) [861901](#) [861K11911T01A07](#)
[861K13810T00A14](#) [861K13911](#) [8646AB6X718UL](#) [9533CD4+U574+U4922](#) [99-450.837](#) [99-453.837](#) [A2PMA1X03EC56](#) [A3A-7310](#) [A3A-](#)
[7340](#) [12037A2ULCSA](#) [1203A2UL](#) [ABGW410-R](#) [1211390004](#) [ABN400-R](#) [121382](#) [1213C3](#) [HE3B-M2](#) [1211500044](#) [121194](#) [1212MRA](#)
[1232A6NF](#) [121489](#) [1223A2ULCSA](#) [D5P-MT4](#) [13435AG](#) [13445AD29GX768](#) [AG23-L2](#) [AH165-2SGLG1TE3](#) [AH165-TGFY22](#) [AH165-](#)
[TGL5Y11E3](#) [AH165-TGLR11AA3](#)