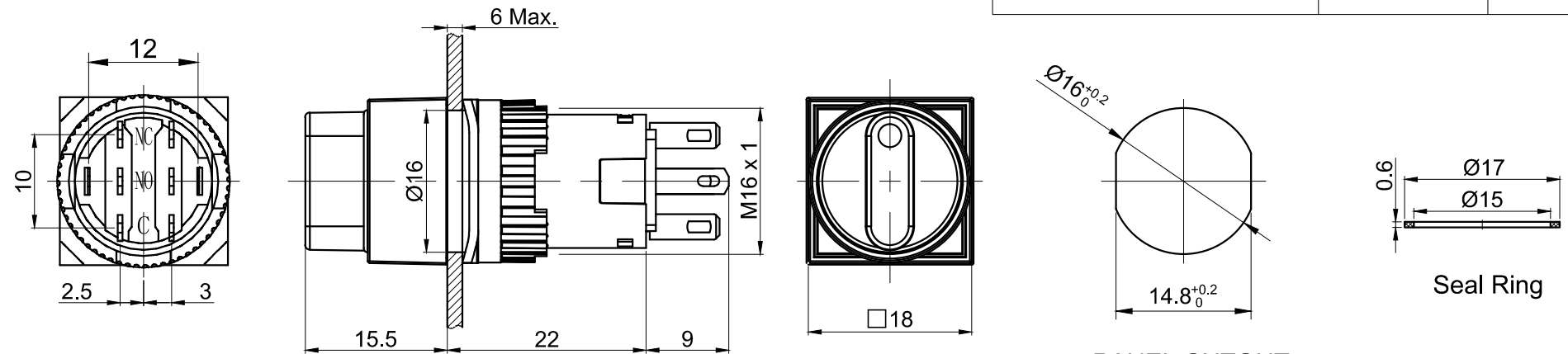
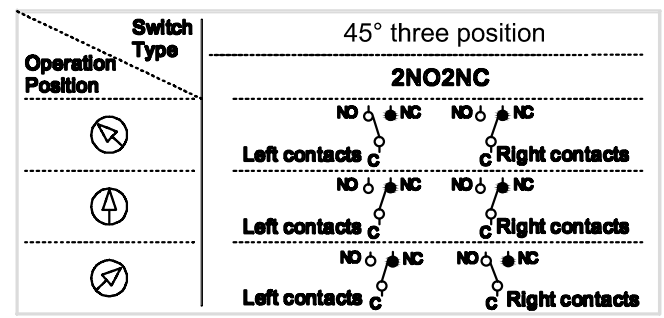


FOR 客户名称	APPROVED 客户确认签字	ATTN 销售负责人



PANEL CUTOUT
MAX.PANEL THICKNESS
6 mm

Contact Composition



Part Number: LAS1-AF-□X/◇◆/△/▲/◎

□	Contact structure
22	2NO 2NC
◇	Operation position
3	Three Position L C R
◆	Operation type
1	Maintain L C R
3	Return L C R

△	Lamp Color
R	Red
G	Green
Y	Yellow

▲	Lamp Voltage
6V	AC/DC 6V
12V	AC/DC 12V
24V	AC/DC 24V
110V	AC/DC 110V
220V	AC/DC 220V
Other voltage can be made to order	

◎	IP class
No Letter	IP40
P	IP65

SPECIFICATIONS:

- 1.Switch Rating: AC220V/0.5A, DC110V/0.1A.
- 2.Mechanical Life: ≥200,000cycles.
- 3.Electrical Life: ≥50,000cycles.
- 4.Contact Resistance: ≤50mΩ.
- 5.Insulation Resistance: ≥100MΩ.
- 6.Dielectric Strength:
Between contact and lamp terminals: AC 2,000V, RMS 50Hz, 1min;
Between terminals of the same pole: AC 1,500V, RMS 50Hz, 1min;
Between terminals of different pole: AC 2,000V, RMS 50Hz, 1min.
- 7.Operating Temperature: -25℃~ +55℃(No Freezing).
- 8.IP Class: IP40,IP65(Maintain can made to order).
- 9.Terminal Type: Pin Terminal(2.8 x 0.5mm).

MATERIALS:

- 1.Contact: Silver alloy.
- 2.Head: PC.
- 3.Body: PC.
- 4.Base: PBT.

BRAND 品牌	ONPOW	红波按钮制造有限公司 ONPOW PUSH BUTTON MANUFACTURE CO.,LTD.
USED 用途	APPD 审核	CH 2020/04/26
FINISH 处理	CHKD 校对	NCH 2020/04/26
SCALE 比例	1.4 : 1	UNIT 单位 mm
DR. 制图		ZPD 2020/04/26
DIMENSIONS	TOLERANCE	TITLE 名称
0.00 TO 18.00mm	±0.43mm	LAS1-A Series selector switch
18.01 TO 30.00mm	±0.52mm	DWG NO. 图号
30.01 TO 50.00mm	±0.62mm	LAS1-AF-X三位置带灯
50.01 TO 80.00mm	±0.74mm	SIZE 图纸
FILE NAME 档案名称		LAS1-A-X.DWG
SHEET 张	1 / 1	REV. 更改
1 / 1		1

X-ON Electronics

Largest Supplier of Electrical and Electronic Components

Click to view similar products for [Rotary Switches](#) category:

Click to view products by [Onpow](#) manufacturer:

Other Similar products are found below :

[71ESF30-05204N](#) [MC06L1NCGF](#) [84986-26](#) [PLR3251](#) [PLR3262](#) [A0142M2SP](#) [A019605](#) [A029303](#) [R2AA2133NNNN](#) [R2AA4455NNNN](#)
[RMS1224](#) [14-520.0360](#) [BCK1006](#) [HW1MS-0202-101](#) [A029101](#) [ACSNO-129-YB-C1014](#) [ACSNO-134-RR-YB-C1005](#) [ACSNO-353-SB-](#)
[C3016](#) [1825537-4](#) [T505](#) [T505E](#) [H10207RR01Q](#) [M3786/39-4ZC](#) [M3786/4-0630](#) [M3786/4-3044](#) [M3786/4-5256](#) [MC6CX1A502X009](#)
[44MBS60-04-2-03N](#) [44MG90-02-1-02N](#) [50KMT90-01-2-02N](#) [55DP30-01-2-AJN](#) [55P30-01-1-12S-C](#) [DKPT65105291](#) [5-1825033-1](#)
[08MY231140](#) [101402A](#) [7813S-1-051E](#) [801775-2B](#) [55P30-01A12S](#) [55P36-01-1-10N-C](#) [55P36-01A10N](#) [55SP30-01-1-07N](#) [M3786/4-5034](#)
[M3786/4-1150L](#) [M3786/4-1256L](#) [T10012E](#) [447610-1](#) [55D36-01-2-AJN](#) [55DP36-01-1-AJN](#) [M3786/4-5891](#)