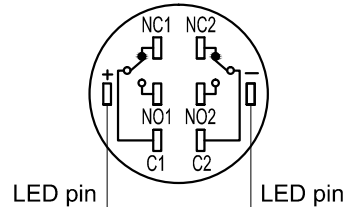
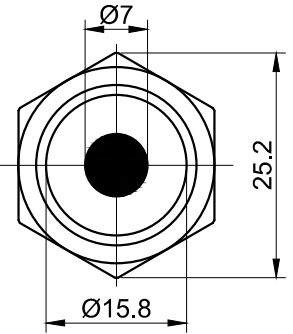
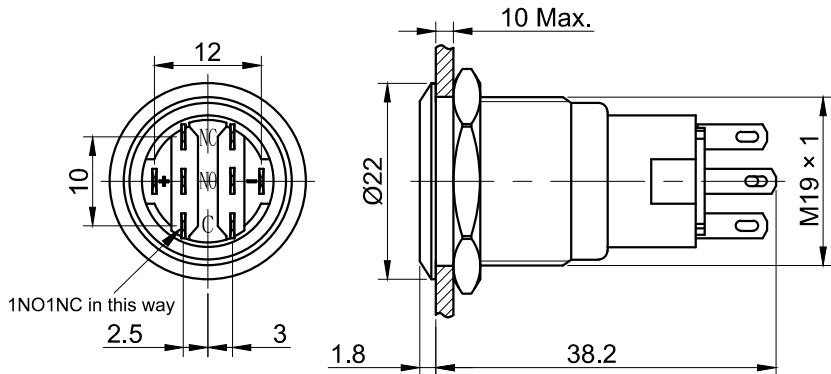
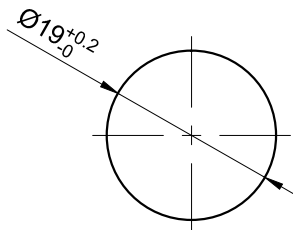


| | | |
|-------------|--------------------|---------------|
| FOR 客户名称 | APPROVED 客户确认签字 | ATTN 销售负责人 |
| | | |

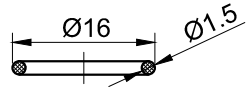
The shaded part is illuminated



Contact Composition



PANEL CUTOUT
MAX.PANEL THICKNESS
10 mm



Seal Ring

Part Number: LAS1-AGQ-□■D/△/▲/S

| □ | Contact structure | ■ | Operation mode | △ | Lamp Color | ▲ | Lamp voltage | |
|----|-------------------|-----------|----------------|---|------------|------|------------------------------------|--|
| 11 | 1NO 1NC | No Letter | Momentary | R | Red | 6V | AC/DC 6V | |
| 22 | 2NO 2NC | Z | Latching | G | Green | 12V | AC/DC 12V | |
| | | | | Y | Yellow | 24V | AC/DC 24V | |
| | | | | B | Blue | 110V | AC/DC 110V | |
| | | | | W | White | 220V | AC/DC 220V | |
| | | | | | | | Other voltage can be made to order | |

SPECIFICATIONS:

- 1.Switch Rating: AC220V/0.5A, DC110V/0.1A.
- 2.Mechanical Life: ≥1,000,000cycles.
- 3.Electrical Life: ≥50,000cycles.
- 4.Contact Resistance: ≤50mΩ.
- 5.Insulation Resistance: ≥1,000MΩ.
- 6.Dielectric Strength: 1,500V, RMS 50Hz , 1min.
- 7.Operating Temperature: -25℃~ +55℃(No Freezing).
- 8.Operating Force: About 1.5N(1NO1NC),About 3N(2NO2NC).
- 9.Operating Travel: About 3.1mm.
- 10.Torque: About 0.6Nm max.applied to nut.
- 11.Protection degree: IP67;IK09.
- 12.Terminal Type: Pin Terminal(2.8 x 0.5mm).

MATERIALS:

- 1.Contact: Silver alloy.
- 2.Button: Stainless Steel.
- 3.Body: Stainless Steel.
- 4.Base: PBT.

| | | | | |
|---|---|---|---|--------------------------|
| BRAND 品牌 ONPOW | 红波按钮制造有限公司 ONPOW PUSH BUTTON MANUFACTURE CO.,LTD. | | | |
| | THESE DRAWINGS AND SPECIFICATIONS ARE THE PROPERTY OF ONPOW PUSH BUTTON MANUFACTURE CO.,LTD. AND SHALL NOT BE REPRODUCED COPIED OR USED IN ANY MANNER WITHOUT THE PRIOR WRITTEN CONSENT OF ONPOW PUSH BUTTON MANUFACTURE CO.,LTD. | 用途 处理 | APPD 审核 CH 2019/06/14 CHKD 校对 NCH 2020/04/23 | DR. 制图 ZPD 2020/04/23 |
| DIMENSIONS 0.00 TO 18.00mm ±0.43mm 18.01 TO 30.00mm ±0.52mm 30.01 TO 50.00mm ±0.62mm 50.01 TO 80.00mm ±0.74mm | TOLERANCE ±0.43mm ±0.52mm ±0.62mm ±0.74mm | TITLE 名称 GQ Series Anti-vandal push button | | |
| DWG NO. 图号 LAS1-AGQ-D (旋转) | | FILE NAME 档案名称 LAS1-AGQ-D.DWG | SHEET 张 1 / 1 | REV. 更改 1 |

X-ON Electronics

Largest Supplier of Electrical and Electronic Components

Click to view similar products for [Pushbutton Switches](#) category:

Click to view products by [Onpow](#) manufacturer:

Other Similar products are found below :

[8971K1133](#) [LW2L-M1C20M-A](#) [01-153.025](#) [M22-D-R-GB0/K11](#) [67021K512](#) [701PB580](#) [7199K101](#) [810K12910](#) [810KSV30B](#) [FLT 2U EE](#)
[01A](#) [MML21EA2ADK](#) [MML21KA3ABK](#) [MML23KW3AA01W](#) [8418K2](#) [8442K3](#) [8450K1](#) [860K11911T01A](#) [861901](#) [861K11911T01A07](#)
[861K13810T00A14](#) [861K13911](#) [8646AB6X718UL](#) [9533CD4+U574+U4922](#) [99-450.837](#) [99-453.837](#) [A2PMA1X03EC56](#) [A3A-7310](#) [A3A-](#)
[7340](#) [12037A2ULCSA](#) [1203A2UL](#) [ABGW410-R](#) [1211390004](#) [ABN400-R](#) [121382](#) [1213C3](#) [HE3B-M2](#) [1211500044](#) [121194](#) [1212MRA](#)
[1232A6NF](#) [121489](#) [1223A2ULCSA](#) [D5P-MT4](#) [13435AG](#) [13445AD29GX768](#) [AG23-L2](#) [AH165-2SGLG1TE3](#) [AH165-TGFY22](#) [AH165-](#)
[TGL5Y11E3](#) [AH165-TGLR11AA3](#)