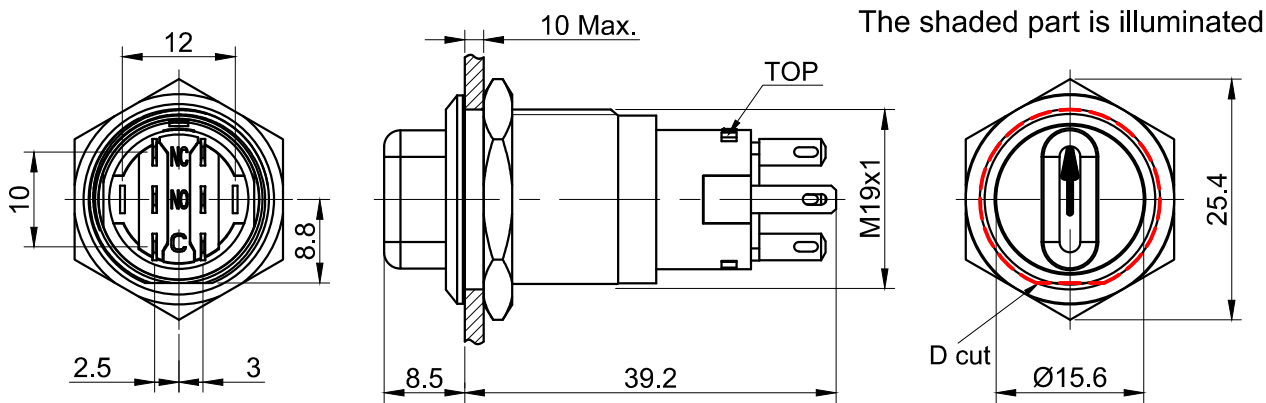
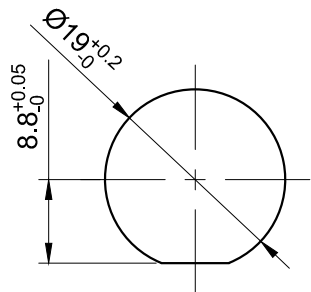
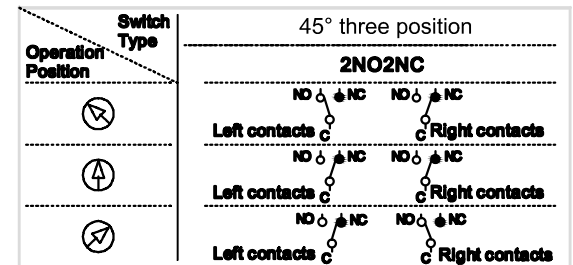


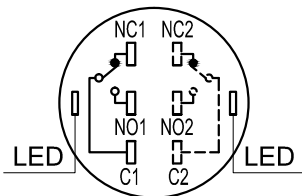
5	6	7
FOR 客户名称	APPROVED 客户确认签字	ATTN 销售负责人



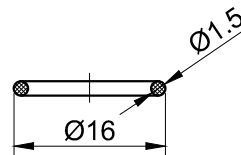
**LAS1-AGQ States in operation**



PANEL CUTOUT  
MAX.PANEL THICKNESS  
10 mm



Contact Composition



Seal Ring

Part Number: LAS1-AGQ-22X/◆●/△/▲/S

"◆"	Operation position	"●"	Operation type
3	Three Position $\swarrow \searrow$	1	Maintain $\swarrow \searrow$
		3	Return $\swarrow \searrow$
"△"	Lamp Color	"▲"	Lamp Voltage
R	Red	6V	AC/DC 6V
G	Green	12V	AC/DC 12V
Y	Yellow	24V	AC/DC 24V
B	Blue	110V	AC/DC 110V
W	White	220V	AC/DC 220V
Other voltage can be made to order			

**SPECIFICATIONS:**

- 1.Switch Rating: AC220V/0.5A, DC110V/0.1A.
- 2.Mechanical Life:  $\geq 500,000$ cycles.
- 3.Electrical Life:  $\geq 50,000$ cycles.
- 4.Contact Resistance:  $\leq 50$ m $\Omega$ .
- 5.Insulation Resistance:  $\geq 1,000$ M $\Omega$ .
- 6.Dielectric Strength: 1,500V, RMS 50Hz, 1min.
- 7.Operating Temperature: -25 $^{\circ}$ C ~ +55 $^{\circ}$ C(No Freezing).
- 8.Torque: About 0.8Nm max.applied to nut.
- 9.IP Class: IP40,IP67(Maintain can made to order).
- 10.Terminal Type: Pin Terminal(2.8 x 0.5mm).

**MATERIALS:**

- 1.Contact: Silver alloy.
- 2.Button: Stainless Steel.
- 3.Body: Stainless Steel.
- 4.Base: PBT.

BRAND 品牌	<b>ONPOW</b>		<b>红波按钮制造有限公司</b> ONPOW PUSH BUTTON MANUFACTURE CO.,LTD.	
USED 用途	THESE DRAWINGS AND SPECIFICATIONS ARE THE PROPERTY OF ONPOW PUSH BUTTON MANUFACTURE CO.,LTD. AND SHALL NOT BE REPRODUCED COPIED OR USED IN ANY MANNER WITHOUT THE PRIOR WRITTEN CONSENT OF ONPOW PUSH BUTTON MANUFACTURE CO.,LTD.		APPD 审核	CH 2020/04/26
FINISH 处理	SCALE 比例		CHKD 校对	NCH 2020/04/26
TITLE 名称		UNIT 单位	DR. 制图	ZPD 2020/04/26
DIMENSIONS		TOLERANCE	SIZE 图纸	
0.00 TO 18.00mm		$\pm 0.43$ mm	A4	
18.01 TO 30.00mm		$\pm 0.52$ mm		
30.01 TO 50.00mm		$\pm 0.62$ mm		
50.01 TO 80.00mm		$\pm 0.74$ mm		
FILE NAME 档案名称		SHEET 张	1 / 1	REV. 更改
LAS1-AGQ-X.DWG		1	1	1

## X-ON Electronics

Largest Supplier of Electrical and Electronic Components

*Click to view similar products for [Rotary Switches](#) category:*

*Click to view products by [Onpow](#) manufacturer:*

Other Similar products are found below :

[71ESF30-05204N](#) [MC06L1NCGF](#) [84986-26](#) [PLR3251](#) [PLR3262](#) [A0142M2SP](#) [A019605](#) [A029303](#) [R2AA2133NNNN](#) [R2AA4455NNNN](#)  
[RMS1224](#) [14-520.0360](#) [BCK1006](#) [HW1MS-0202-101](#) [A029101](#) [ACSNO-129-YB-C1014](#) [ACSNO-134-RR-YB-C1005](#) [ACSNO-353-SB-](#)  
[C3016](#) [1825537-4](#) [T505](#) [T505E](#) [H10207RR01Q](#) [M3786/39-4ZC](#) [M3786/4-0630](#) [M3786/4-3044](#) [M3786/4-5256](#) [MC6CX1A502X009](#)  
[44MBS60-04-2-03N](#) [44MG90-02-1-02N](#) [50KMT90-01-2-02N](#) [55DP30-01-2-AJN](#) [55P30-01-1-12S-C](#) [DKPT65105291](#) [5-1825033-1](#)  
[08MY231140](#) [101402A](#) [7813S-1-051E](#) [801775-2B](#) [55P30-01A12S](#) [55P36-01-1-10N-C](#) [55P36-01A10N](#) [55SP30-01-1-07N](#) [M3786/4-5034](#)  
[M3786/4-1150L](#) [M3786/4-1256L](#) [T10012E](#) [447610-1](#) [55D36-01-2-AJN](#) [55DP36-01-1-AJN](#) [M3786/4-5891](#)