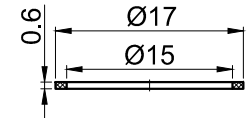
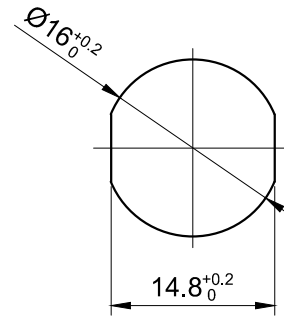
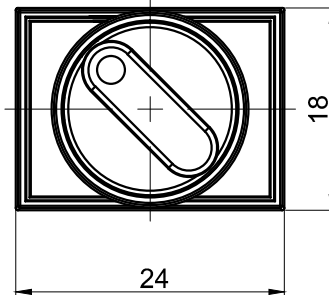
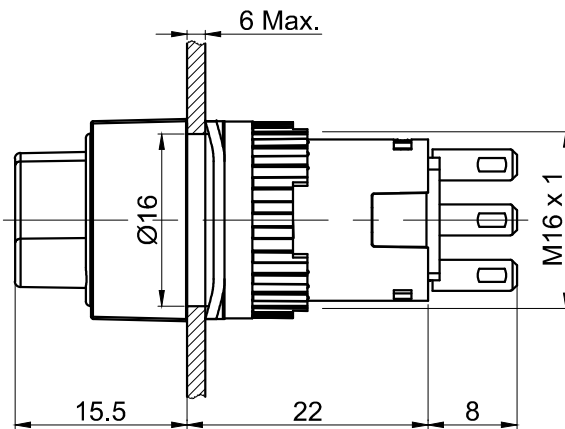


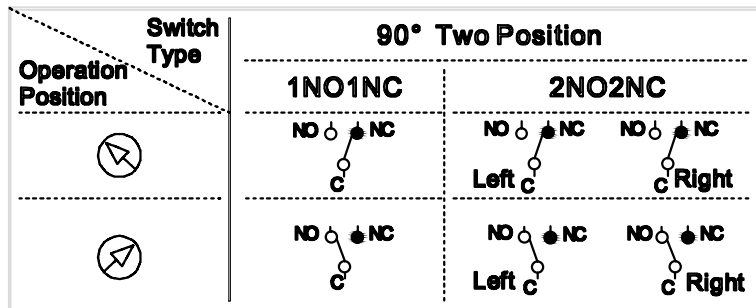
1NO1NC in this way



Seal Ring

PANEL CUTOUT  
MAX.PANEL THICKNESS  
6 mm

Contact Composition



Part Number: LAS1-AJ-□X/◇◆/△/◎

□	Contact structure
11	1NO 1NC
22	2NO 2NC

◇	Operation position
2	Two Position

◆	Operation type
1	Maintain
3	Return

△	Cap Color
R	Red
G	Green
Y	Yellow

◎	IP class
No Letter	IP40
P	IP65

SPECIFICATIONS:

- Switch Rating: AC220V/0.5A, DC110V/0.1A.
- Mechanical Life: ≥200,000cycles.
- Electrical Life: ≥50,000cycles.
- Contact Resistance: ≤50mΩ.
- Insulation Resistance: ≥100MΩ.
- Dielectric Strength:  
Between terminals of the same pole: AC 1,500V, RMS 50Hz, 1min;  
Between terminals of different pole: AC 2,000V, RMS 50Hz, 1min.
- Operating Temperature: -25°C ~ +55°C (No Freezing).
- IP Class: IP40, IP65 (Maintain can made to order).
- Terminal Type: Pin Terminal (2.8 x 0.5mm).

MATERIALS:

- Contact: Silver alloy.
- Head: PC.
- Body: PC.
- Base: PBT.

BRAND 品牌 <b>ONPOW</b>		红波按钮制造有限公司 ONPOW PUSH BUTTON MANUFACTURE CO.,LTD.	
USED 用途 THESE DRAWINGS AND SPECIFICATIONS ARE THE PROPERTY OF ONPOW PUSH BUTTON MANUFACTURE CO.,LTD. AND SHALL NOT BE REPRODUCED COPIED OR USED IN ANY MANNER WITHOUT THE PRIOR WRITTEN CONSENT OF ONPOW PUSH BUTTON MANUFACTURE CO.,LTD.		APPD 审核 CH 2019/06/10 CHKD 校对 NCH 2019/06/10 DR. 制图 ZPD 2019/06/10	
SCALE 比例 1.4 : 1 UNIT 单位 mm		TITLE 名称 LAS1-A Series selector switch	
DIMENSIONS TOLERANCE 0.00 TO 18.00mm ±0.43mm 18.01 TO 30.00mm ±0.52mm 30.01 TO 50.00mm ±0.62mm 50.01 TO 80.00mm ±0.74mm		DWG NO. 图号 LAS1-AJ-X二位置 SIZE 图纸 A4	
FILE NAME 档案名称 LAS1-A-X.DWG		SHEET 张 1 / 1 REV. 更改 1	

## X-ON Electronics

Largest Supplier of Electrical and Electronic Components

*Click to view similar products for [Rotary Switches](#) category:*

*Click to view products by [Onpow](#) manufacturer:*

Other Similar products are found below :

[71ESF30-05204N](#) [MC06L1NCGF](#) [84986-26](#) [PLR3251](#) [PLR3262](#) [A0142M2SP](#) [A019605](#) [A029303](#) [R2AA2133NNNN](#) [R2AA4455NNNN](#)  
[RMS1224](#) [14-520.0360](#) [BCK1006](#) [HW1MS-0202-101](#) [A029101](#) [ACSNO-129-YB-C1014](#) [ACSNO-134-RR-YB-C1005](#) [ACSNO-353-SB-](#)  
[C3016](#) [1825537-4](#) [T505](#) [T505E](#) [H10207RR01Q](#) [M3786/39-4ZC](#) [M3786/4-0630](#) [M3786/4-3044](#) [M3786/4-5256](#) [MC6CX1A502X009](#)  
[44MBS60-04-2-03N](#) [44MG90-02-1-02N](#) [50KMT90-01-2-02N](#) [55DP30-01-2-AJN](#) [55P30-01-1-12S-C](#) [DKPT65105291](#) [5-1825033-1](#)  
[08MY231140](#) [101402A](#) [7813S-1-051E](#) [801775-2B](#) [55P30-01A12S](#) [55P36-01-1-10N-C](#) [55P36-01A10N](#) [55SP30-01-1-07N](#) [M3786/4-5034](#)  
[M3786/4-1150L](#) [M3786/4-1256L](#) [T10012E](#) [447610-1](#) [55D36-01-2-AJN](#) [55DP36-01-1-AJN](#) [M3786/4-5891](#)