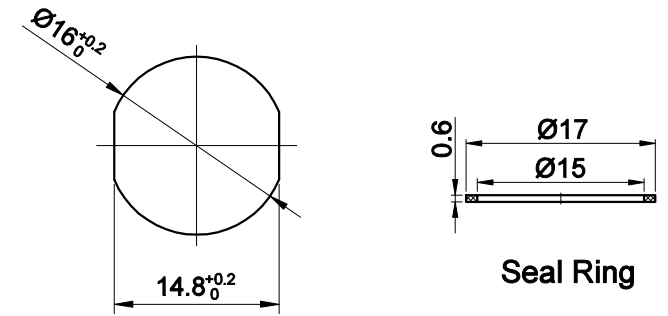


FOR 客户名称	APPROVED 客户确认签字	ATTN 销售负责人



PANEL CUTOUT  
MAX.PANEL THICKNESS  
6 mm

Contact Composition

Operation Position	Switch Type	45° three position 2NO2NC
⊗	⊗	<p>Left contacts C Right contacts</p>
⊕	⊕	<p>Left contacts C Right contacts</p>
⊗	⊗	<p>Left contacts C Right contacts</p>

Part Number: LAS1-AY-□Y/◇◆●/◎

"□"	Contact structure
22	2NO 2NC

"◇"	Operation position
3	Three Position

"◆"	Operation type
1	Maintain
3	Return

"●"	Key-lock maintain position
A	
B	
C	
D	
E	
G	
H	

"◎"	IP class
No Letter	IP40
P	IP65

SPECIFICATIONS:

- Switch Rating: AC220V/0.5A, DC110V/0.1A.
- Mechanical Life: ≥200,000cycles.
- Electrical Life: ≥50,000cycles.
- Contact Resistance: ≤50mΩ.
- Insulation Resistance: ≥100MΩ.
- Dielectric Strength:  
Between terminals of the same pole: AC 1,500V, RMS 50Hz, 1min;  
Between terminals of different pole: AC 2,000V, RMS 50Hz, 1min.
- Operating Temperature: -25°C~ +55°C(No Freezing).
- IP Class: IP40,IP65(Maintain can made to order).
- Terminal Type: Pin Terminal(2.8 x 0.5mm).

MATERIALS:

- Contact: Silver alloy.
- Body: PC.
- Base: PBT.

<b>BRAND</b> 品牌 <b>ONPOW</b>	<b>红波按钮制造有限公司</b> ONPOW PUSH BUTTON MANUFACTURE CO.,LTD.	
	THESE DRAWINGS AND SPECIFICATIONS ARE THE PROPERTY OF ONPOW PUSH BUTTON MANUFACTURE CO.,LTD. AND SHALL NOT BE REPRODUCED COPIED OR USED IN ANY MANNER WITHOUT THE PRIOR WRITTEN CONSENT OF ONPOW PUSH BUTTON MANUFACTURE CO.,LTD.	USED 用途 FINISH 处理 SCALE 比例 1.4 : 1 UNIT 单位 mm
DIMENSIONS 0.00 TO 18.00mm 18.01 TO 30.00mm 30.01 TO 50.00mm 50.01 TO 80.00mm	TOLERANCE ±0.43mm ±0.52mm ±0.62mm ±0.74mm	TITLE 名称 LAS1-A Series Pushbutton Switches DWG NO. 图号 LAS1-AY-Y三位置 FILE NAME 档案名称 LAS1-A-Y.DWG
SHEET 张 1 / 1		SIZE 图纸 A4 REV. 更改 1

## X-ON Electronics

Largest Supplier of Electrical and Electronic Components

*Click to view similar products for [Onpow](#) manufacturer:*

Other Similar products are found below :

[PS165P10Y01W12V](#) [PS165P10Y21B24V](#) [PS193P10Y31G24VT](#) [PS223P10Y21O12VD](#) [HBJD-40/DZ/2/RG/230AC/B](#) [V16F-11Z-24B](#)  
[V16Y-11Z-24O](#) [V19-21D-12Y-S](#) [V16Y-11-24G](#) [V16F-11Z-24R](#) [HBJD-40/DZ/1/Y/24AC/DC/B](#) [LAS1-AJ-22X/31/G/24V](#) [GQ12-AH-](#)  
[10E/J/G/24V/S](#) [LAS1GQ22-11E/G/24V/S](#) [LAS1GQF-11ZET/L/W/12V/S](#) [GQ25-11D/R/12V/S](#) [GQ30-11Z/A](#) [HBJD-](#)  
[40/DWA/1/Y/24AC/DC/B](#) [PS165P10Y21O12V](#) [PS193P10Y01W12VL](#) [PS193P10Y31W24VT](#) [V16F-11-B](#) [V16Y-11-230O](#) [V16F-11Z-230B](#)  
[V12F-11Z-24Y](#) [PS165P10Y01](#) [V10F-11Z-Y](#) [V16-10D-12G-S](#) [LAS1J-11X/2/R/12V](#) [LAS1J-11X/2/R/24V](#) [LAS1Y-11X/2/JC/R](#) [LAS1-AF-](#)  
[11X/21/R/12V](#) [LAS1-AF-11X/21/R/24V](#) [LAS1-AJ-11X/21/N](#) [LAS1-AJ-11X/21/R](#) [LAS1-AY-11X/21/G/12V](#) [LAS1-AY-11X/21/R/12V](#)  
[LAS1F-11X/2/R](#) [LAS1J-11X/2/G/12V](#) [LAS1GQ22-11ZE/R/12V/S](#) [LAS1GQ25-11E/B/24V/S](#) [LAS1GQ25-11E/Y/24V/S](#) [LAS1GQ30-](#)  
[11E/G/24V/S](#) [LCA25-11E/W/12V/S](#) [MTA22F-10E/Y/W/12V/S](#) [LAS1-AGQ-11ET/G/24V/S](#) [GQ28-11ZD/B/24V/S](#) [AD16-16M/230V](#)  
[PS193P10Y01Y12VT](#) [PS223P10Y31](#)