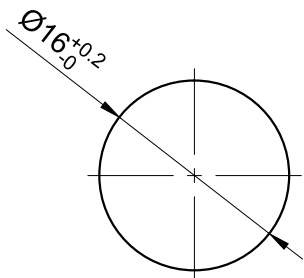
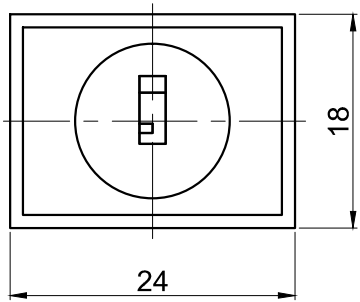
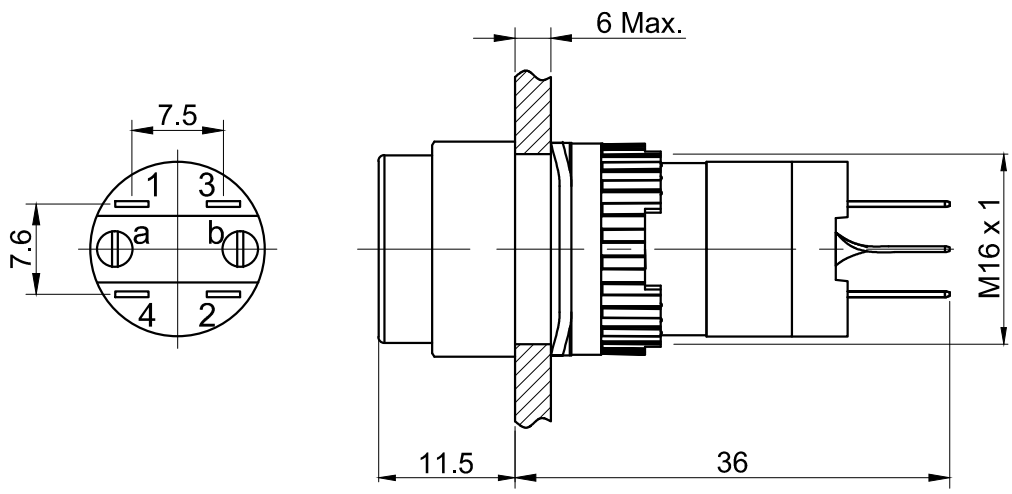
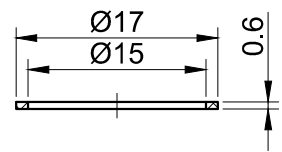


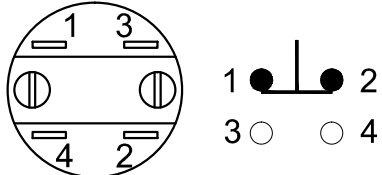
FOR 客户名称	APPROVED 客户确认签字	ATTN 销售负责人



PANEL CUTOUT
MAX.PANEL THICKNESS
6mm



Seal Ring



Contact Composition

1, 2, 3, 4 are one set;
1,2 are normal closed(NC);
3,4 are normal opened(NO).

Part Number: LAS1J- 11Y/◇/JC

"◇"	Operation position
2	Two Position $\begin{matrix} L \\ R \end{matrix}$

SPECIFICATIONS:

- 1.Switch Rating: AC220V/2A, DC220V/0.1A.
- 2.Mechanical Life: ≥500,000cycles.
- 3.Electrical Life: ≥50,000cycles.
- 4.Contact Resistance: ≤50mΩ.
- 5.Insulation Resistance: ≥100MΩ.
- 6.Dielectric Strength:
Between terminals of the same pole: AC 1,500V, RMS 50Hz, 1min;
Between terminals of different pole: AC 2,000V, RMS 50Hz, 1min.
- 7.Operating Temperature: -25°C ~ +55°C(No Freezing).
- 8.IP Class: IP40.
- 9.Terminal Type: Pin Terminal(2.8 x 0.5mm).

MATERIALS:

- 1.Contact: Silver alloy.
- 2.Button: PC.
- 3.Body: PC.
- 4.Base: PC.

BRAND 品牌 ONPOW	红波按钮制造有限公司 ONPOW PUSH BUTTON MANUFACTURE CO.,LTD.			
	USED 用途	APPD 审核	CH 2020/05/03	
THESE DRAWINGS AND SPECIFICATIONS ARE THE PROPERTY OF ONPOW PUSH BUTTON MANUFACTURE CO.,LTD. AND SHALL NOT BE REPRODUCED COPIED OR USED IN ANY MANNER WITHOUT THE PRIOR WRITTEN CONSENT OF ONPOW PUSH BUTTON MANUFACTURE CO.,LTD.	FINISH 处理	CHKD 校对	NCH 2020/05/03	
	SCALE 比例	UNIT 单位	DR. 制图	ZPD 2020/05/03
DIMENSIONS	TOLERANCE	TITLE 名称	LAS1 Series Pushbutton Switches	
0.00 TO 18.00mm	±0.43mm	DWG NO. 图号	LAS1J- 11Y-JC	
18.01 TO 30.00mm	±0.52mm	FILE NAME 档案名称	LAS1-Y.DWG	SHEET 张
30.01 TO 50.00mm	±0.62mm			1 / 1
50.01 TO 80.00mm	±0.74mm			REV. 更改
				1

SIZE
图纸 **A4**

X-ON Electronics

Largest Supplier of Electrical and Electronic Components

Click to view similar products for [Onpow](#) manufacturer:

Other Similar products are found below :

[PS165P10Y01W12V](#) [PS165P10Y21B24V](#) [PS193P10Y31G24VT](#) [PS223P10Y21O12VD](#) [HBJD-40/DZ/2/RG/230AC/B](#) [V16F-11Z-24B](#)
[V16Y-11Z-24O](#) [V19-21D-12Y-S](#) [V16Y-11-24G](#) [V16F-11Z-24R](#) [HBJD-40/DZ/1/Y/24AC/DC/B](#) [LAS1-AJ-22X/31/G/24V](#) [GQ12-AH-](#)
[10E/J/G/24V/S](#) [LAS1GQ22-11E/G/24V/S](#) [LAS1GQF-11ZET/L/W/12V/S](#) [GQ25-11D/R/12V/S](#) [GQ30-11Z/A](#) [HBJD-](#)
[40/DWA/1/Y/24AC/DC/B](#) [PS165P10Y21O12V](#) [PS193P10Y01W12VL](#) [PS193P10Y31W24VT](#) [V16F-11-B](#) [V16Y-11-230O](#) [V16F-11Z-230B](#)
[V12F-11Z-24Y](#) [PS165P10Y01](#) [V10F-11Z-Y](#) [V16-10D-12G-S](#) [LAS1J-11X/2/R/12V](#) [LAS1J-11X/2/R/24V](#) [LAS1Y-11X/2/JC/R](#) [LAS1-AF-](#)
[11X/21/R/12V](#) [LAS1-AF-11X/21/R/24V](#) [LAS1-AJ-11X/21/N](#) [LAS1-AJ-11X/21/R](#) [LAS1-AY-11X/21/G/12V](#) [LAS1-AY-11X/21/R/12V](#)
[LAS1F-11X/2/R](#) [LAS1J-11X/2/G/12V](#) [LAS1GQ22-11ZE/R/12V/S](#) [LAS1GQ25-11E/B/24V/S](#) [LAS1GQ25-11E/Y/24V/S](#) [LAS1GQ30-](#)
[11E/G/24V/S](#) [LCA25-11E/W/12V/S](#) [MTA22F-10E/Y/W/12V/S](#) [LAS1-AGQ-11ET/G/24V/S](#) [GQ28-11ZD/B/24V/S](#) [AD16-16M/230V](#)
[PS193P10Y01Y12VT](#) [PS223P10Y31](#)