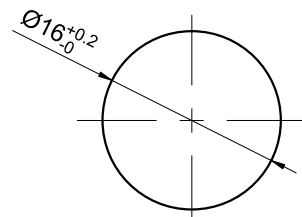
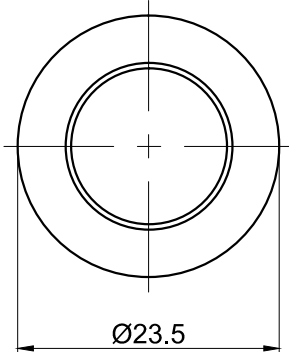
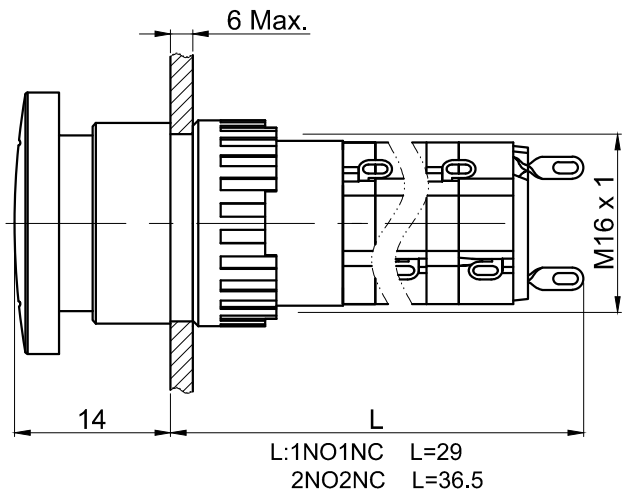
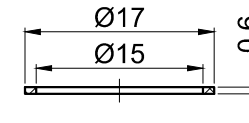


1 2 3 4 5 6 7

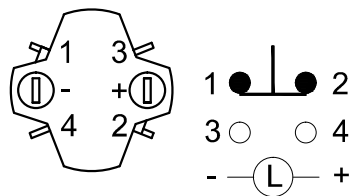
| | | |
|-------------|--------------------|---------------|
| FOR 客户名称 | APPROVED 客户确认签字 | ATTN 销售负责人 |
| | | |



PANEL CUTOUT
MAX.PANEL THICKNESS
6 mm



Seal Ring



Contact Composition

- 1, 2, 3, 4 are one set;
- 1,2 are normal closed(NC);
- 3,4 are normal opened(NO).

Part Number:LAS1M-□/△/▲

| □ | Contact structure | △ | Lamp Color | ▲ | Lamp Voltage |
|----|-------------------|------------------------------------|------------|------|--------------------------------|
| 11 | 1NO1NC | R | Red | 6V | AC/DC 6V |
| 22 | 2NO2NC | G | Green | 12V | AC/DC 12V |
| | | Y | Yellow | 24V | AC/DC 24V |
| | | B | Blue | 110V | AC/DC 110V (External resistor) |
| | | W | White | 220V | AC/DC 220V (External resistor) |
| | | Other voltage can be made to order | | | |

SPECIFICATIONS:

- Switch Rating: AC220V/2A, DC220V/0.1A.
- Mechanical Life: Momentary ≥1,000,000cycles
- Electrical Life: ≥50,000cycles.
- Contact Resistance: ≤50mΩ.
- Insulation Resistance: ≥100MΩ.
- Dielectric Strength:
Between contact and lamp terminals:AC 2,000V, RMS 50Hz, 1min;
Between terminals of the same pole:AC 1,500V, RMS 50Hz, 1min;
Between terminals of different pole:AC 2,000V, RMS 50Hz, 1min.
- Operating Temperature: -25°C~ +55°C(No Freezing).
- Operating Force: About 2N.
- Terminal Type: Pin Terminal(1.8 x 0.4mm) .
- IP Class: IP40.

MATERIALS:

- Contact: Silver alloy.
- Button: PC.
- Body: PC.
- Base: UF.

| | | | | |
|---|--------------|--|-------------------------------|------------|
| BRAND 品牌 | ONPOW | 红波按钮制造有限公司 ONPOW PUSH BUTTON MANUFACTURE CO.,LTD. | | |
| THESE DRAWINGS AND SPECIFICATIONS ARE THE PROPERTY OF ONPOW PUSH BUTTON MANUFACTURE CO.,LTD. AND SHALL NOT BE REPRODUCED COPIED OR USED IN ANY MANNER WITHOUT THE PRIOR WRITTEN CONSENT OF ONPOW PUSH BUTTON MANUFACTURE CO.,LTD. | USED 用途 | APPD 审核 | CH | 2020/05/05 |
| | FINISH 处理 | CHKD 校对 | NCH | 2020/05/05 |
| | SCALE 比例 | UNIT 单位 | DR. 制图 | ZPD |
| DIMENSIONS | TOLERANCE | TITLE 名称 | LAS1 Series pushbutton switch | |
| 0.00 TO 18.00mm | ±0.43mm | DWG NO. 图号 | LAS1M带灯 | |
| 18.01 TO 30.00mm | ±0.52mm | FILE NAME 档案名称 | LAS1M.DWG | SHEET 张 |
| 30.01 TO 50.00mm | ±0.62mm | | | 1 / 1 |
| 50.01 TO 80.00mm | ±0.74mm | | | REV. 更改 |
| | | | | 1 |

1 2 3 4 5 6 7

X-ON Electronics

Largest Supplier of Electrical and Electronic Components

Click to view similar products for [Pushbutton Switches](#) category:

Click to view products by [Onpow](#) manufacturer:

Other Similar products are found below :

[8971K1133](#) [LW2L-M1C20M-A](#) [01-153.025](#) [M22-D-R-GB0/K11](#) [67021K512](#) [701PB580](#) [7199K101](#) [810K12910](#) [810KSV30B](#) [FLT 2U EE](#)
[01A](#) [MML21EA2ADK](#) [MML21KA3ABK](#) [MML23KW3AA01W](#) [8418K2](#) [8442K3](#) [8450K1](#) [860K11911T01A](#) [861901](#) [861K11911T01A07](#)
[861K13810T00A14](#) [861K13911](#) [8646AB6X718UL](#) [9533CD4+U574+U4922](#) [99-450.837](#) [99-453.837](#) [A2PMA1X03EC56](#) [A3A-7310](#) [A3A-](#)
[7340](#) [12037A2ULCSA](#) [1203A2UL](#) [ABGW410-R](#) [1211390004](#) [ABN400-R](#) [121382](#) [1213C3](#) [HE3B-M2](#) [1211500044](#) [121194](#) [1212MRA](#)
[1232A6NF](#) [121489](#) [1223A2ULCSA](#) [D5P-MT4](#) [13435AG](#) [13445AD29GX768](#) [AG23-L2](#) [AH165-2SGLG1TE3](#) [AH165-TGFY22](#) [AH165-](#)
[TGL5Y11E3](#) [AH165-TGLR11AA3](#)